



US00D743615S

(12) **United States Design Patent**
Kern et al.

(10) **Patent No.:** **US D743,615 S**
(45) **Date of Patent:** **** Nov. 17, 2015**

(54) **LAMP**

(71) Applicant: **Target Brands, Inc.**, Minneapolis, MN
(US)

(72) Inventors: **Elizabeth C. Kern**, Minneapolis, MN
(US); **Joseph P. Foley**, St. Paul, MN
(US)

(73) Assignee: **Target Brands, Inc.**, Minneapolis, MN
(US)

(**) Term: **14 Years**

(21) Appl. No.: **29/479,864**

(22) Filed: **Jan. 21, 2014**

(51) **LOC (10) Cl.** **26-03**

(52) **U.S. Cl.**
USPC **D26/110**

(58) **Field of Classification Search**
USPC D26/24, 93, 106, 138, 141, 142, 110,
D26/102, 104, 105, 111
CPC F21S 6/00; F21S 6/002; F21S 8/043;
F21V 21/02; F21V 21/116; F21W 2131/30
See application file for complete search history.

(56) **References Cited**

U.S. PATENT DOCUMENTS

D165,226 S	*	11/1951	Gray et al.	D26/105
D165,312 S	*	11/1951	Versen	D26/102
D186,546 S	*	11/1959	Aakervik	D26/105
D263,084 S	*	2/1982	Suzuki	D26/104
D365,406 S	*	12/1995	Kan	D26/111
D374,302 S	*	10/1996	Lara	D26/110
D387,884 S	*	12/1997	Mackay	D26/93

D397,477 S		8/1998	Chen	
D464,768 S	*	10/2002	Hsu D26/111
D479,356 S	*	9/2003	Baarman D26/111
D497,031 S	*	10/2004	Leddusire D26/111
D629,150 S		12/2010	Douloubakas	
8,291,628 B2		10/2012	Acworth	

FOREIGN PATENT DOCUMENTS

CN 200930076871.1 5/2010

OTHER PUBLICATIONS

Sam's Club, "Japanese Table Lamp Set," <http://www.samsclub.com/sams/japanese-table-lamp-set-2-pc/198883.ip>, at least as early as Jun. 2013, 1 page.

* cited by examiner

Primary Examiner — Brian N Vinson

(74) *Attorney, Agent, or Firm* — Leanne Taveggia Farrell;
Westman, Champlin & Koehler, P.A.

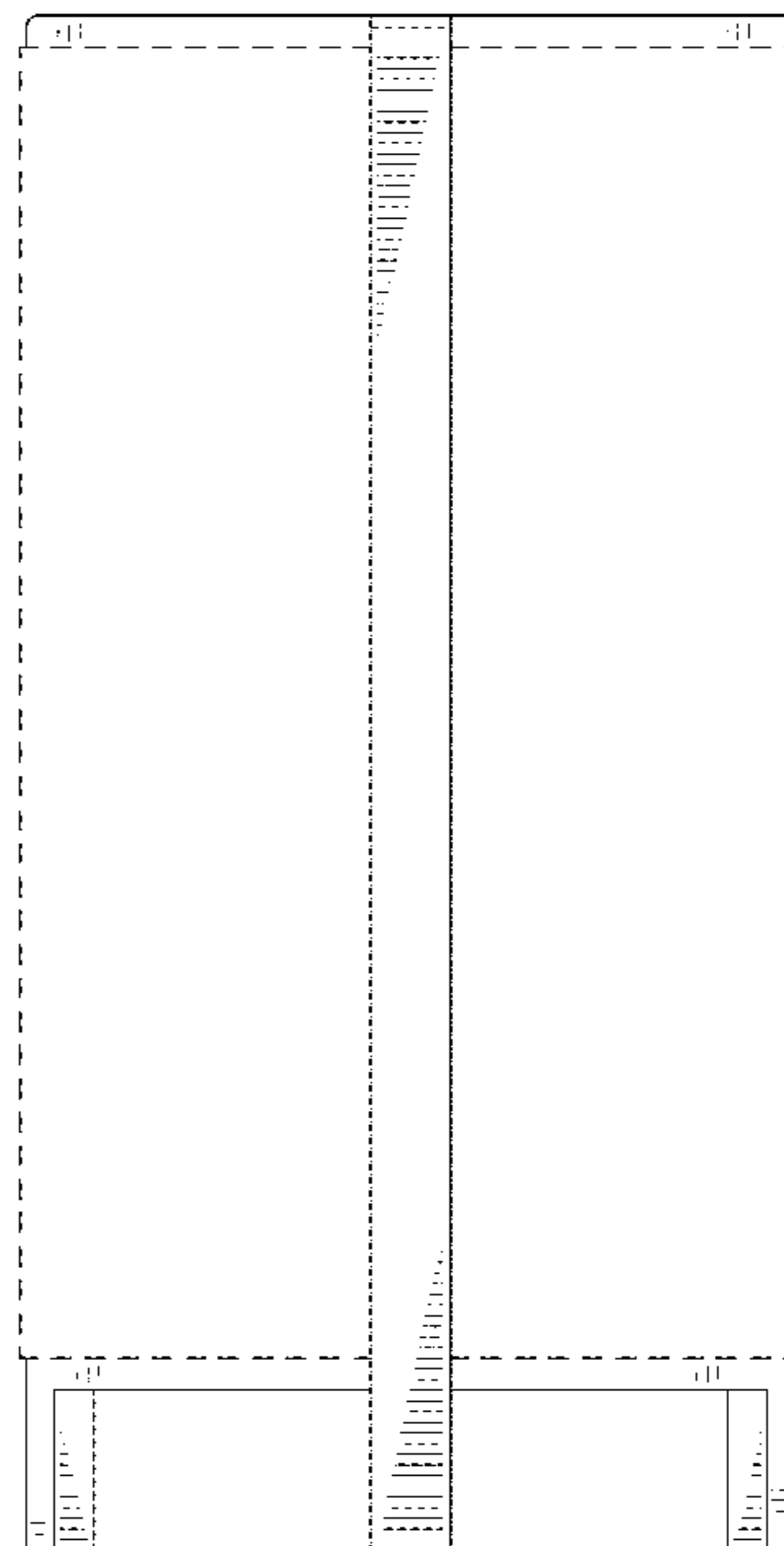
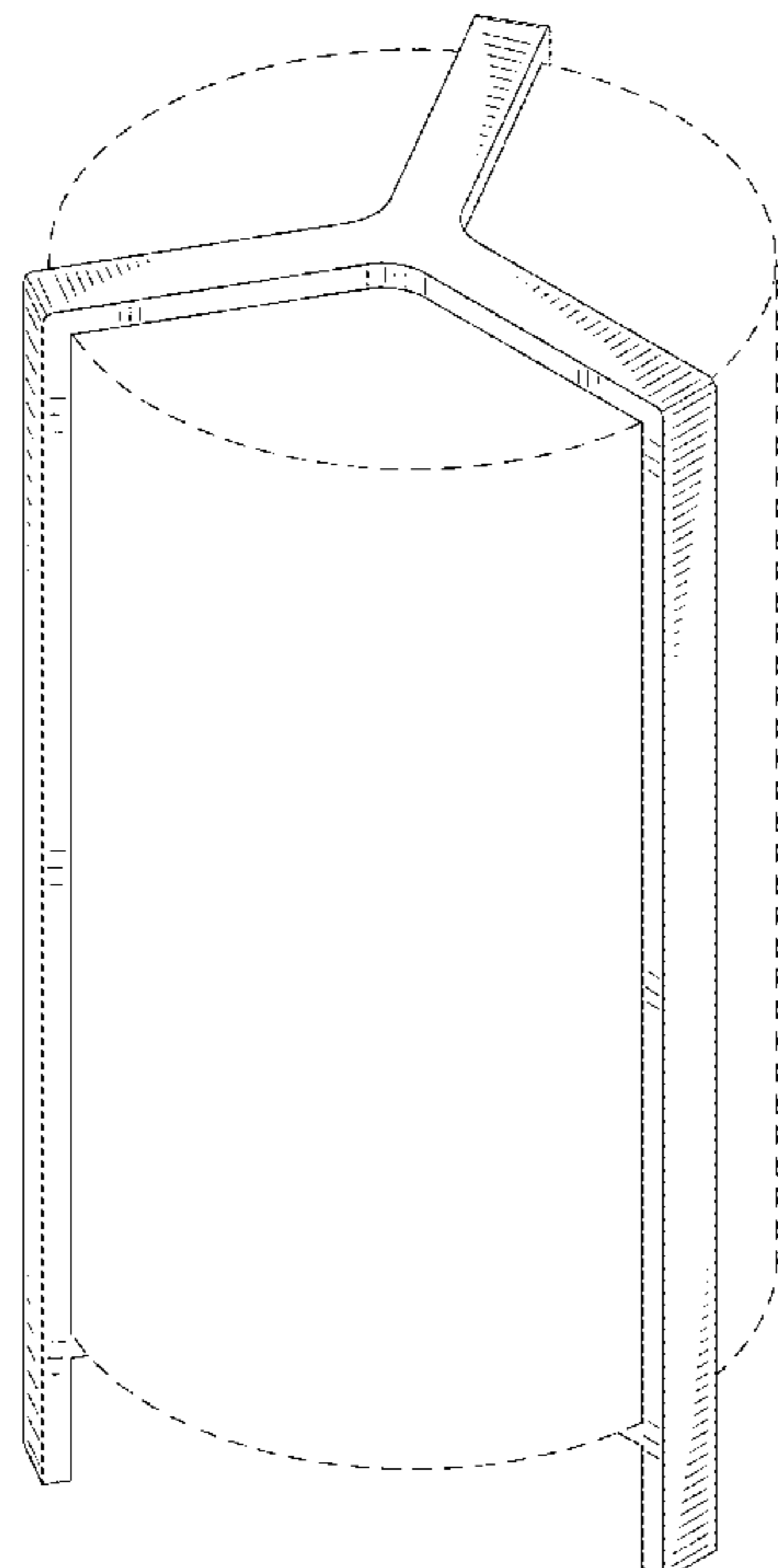
(57) **CLAIM**

The ornamental design for a lamp, as shown and described.

DESCRIPTION

FIG. 1 is perspective views of a lamp showing our new design;
FIG. 2 is a front view thereof;
FIG. 3 is a back view thereof;
FIG. 4 is a left side view thereof, the opposing right side view
being a mirror image;
FIG. 5 is a top view thereof; and,
FIG. 6 is a bottom view thereof.
The broken lines shown in the drawings are included for
purposes of illustrating portions of the lamp and form no part
of the claimed design.

1 Claim, 5 Drawing Sheets



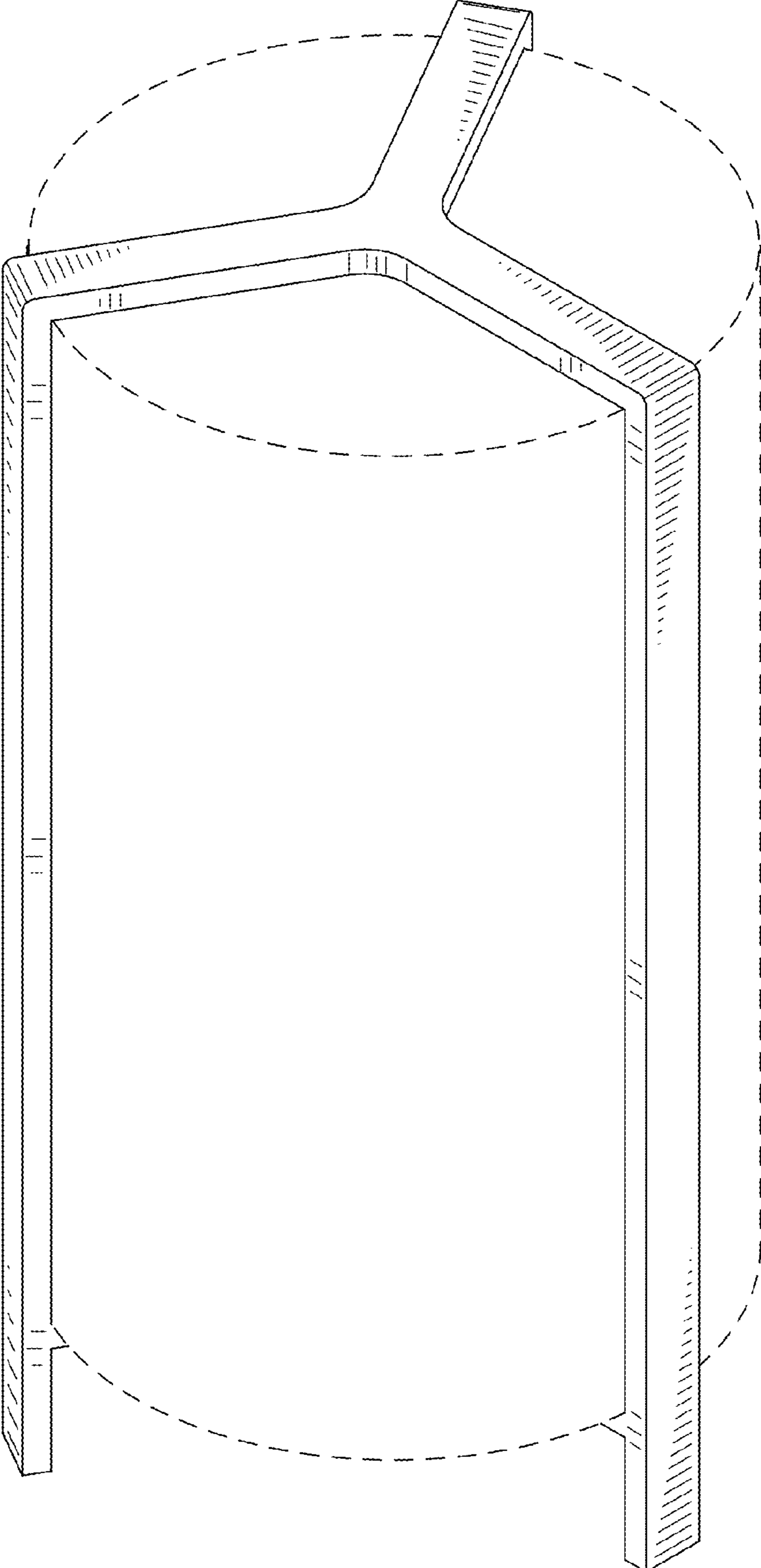


Fig. 1

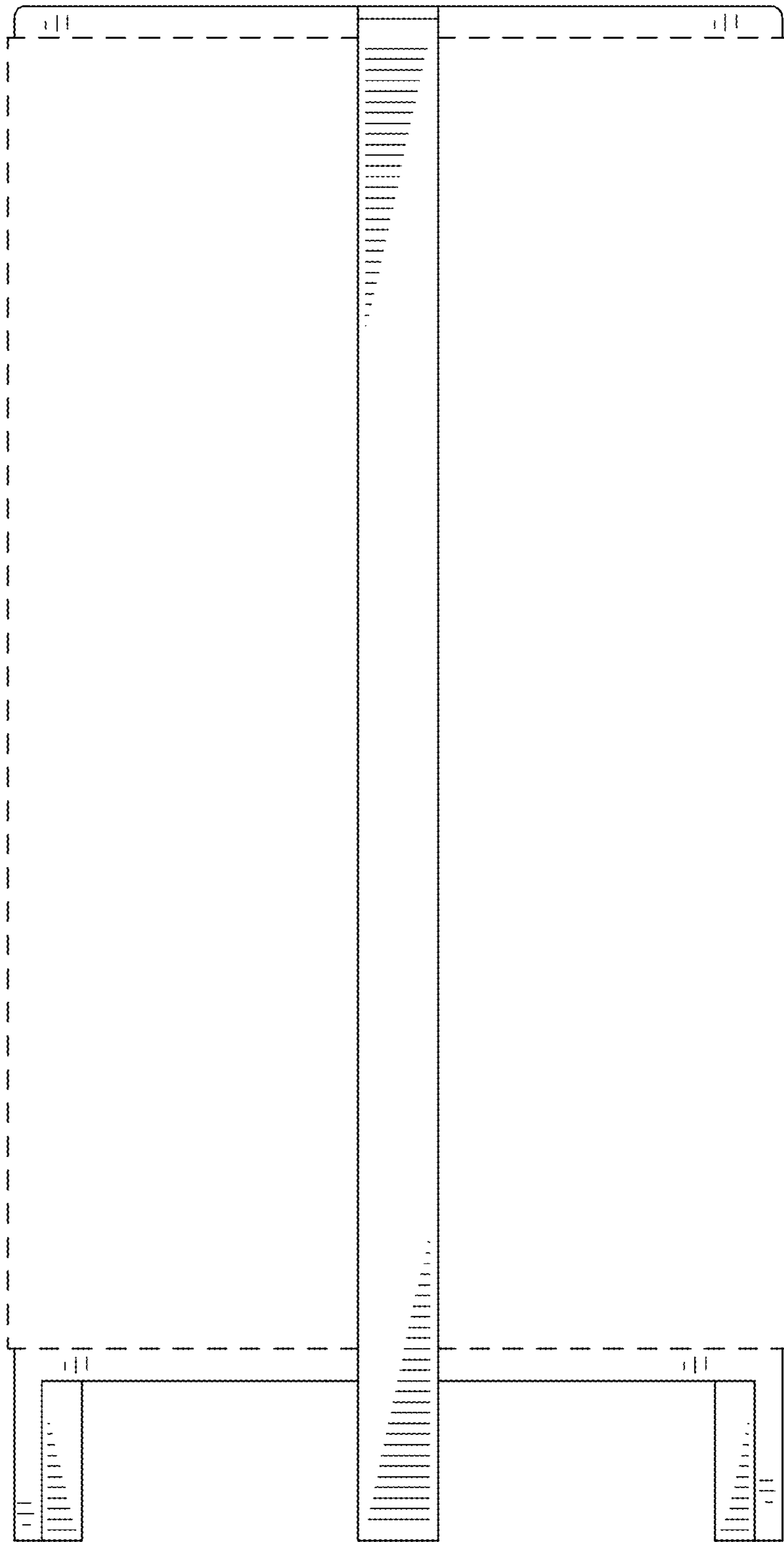


Fig. 2

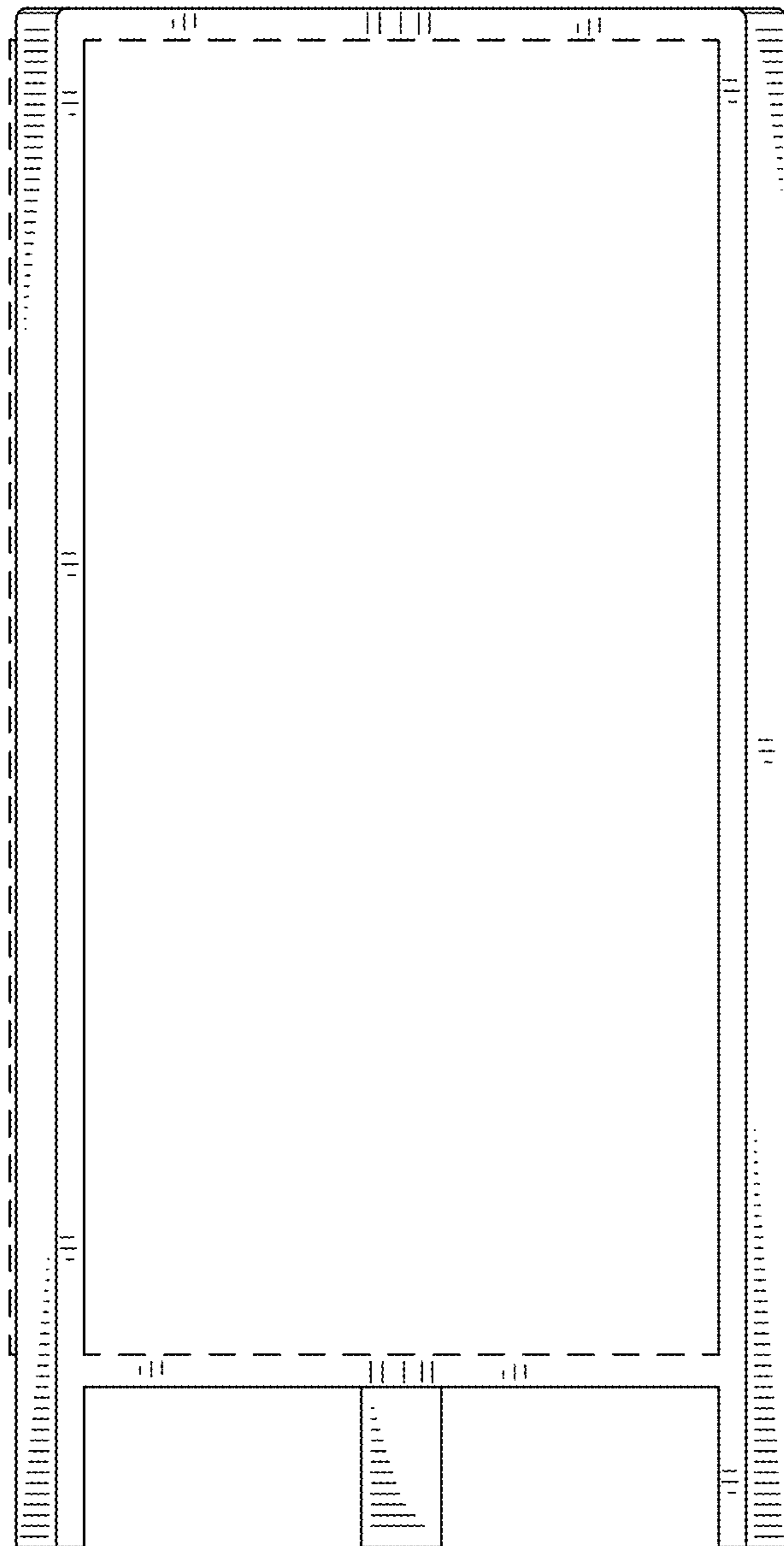


Fig. 3

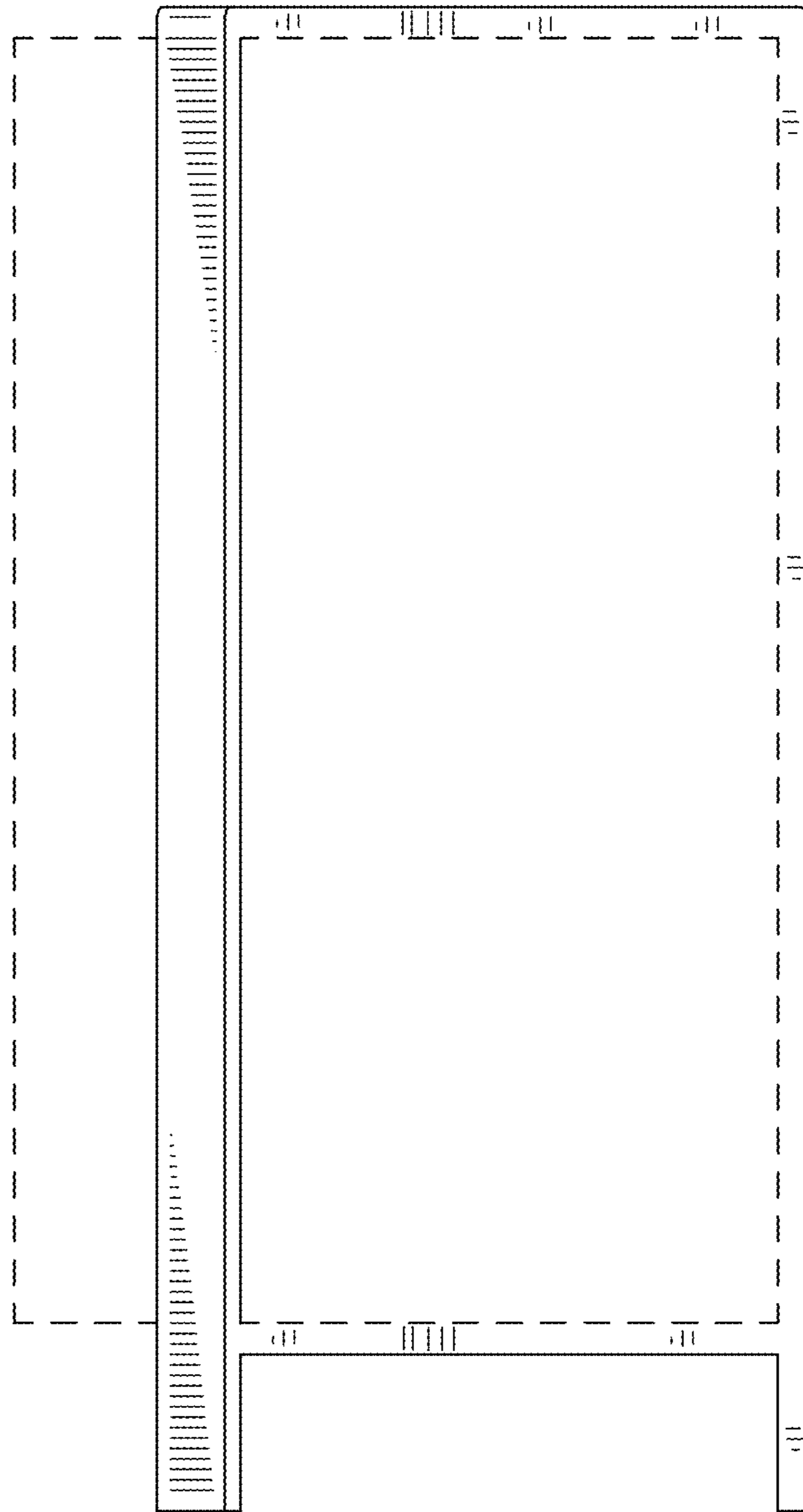


Fig. 4

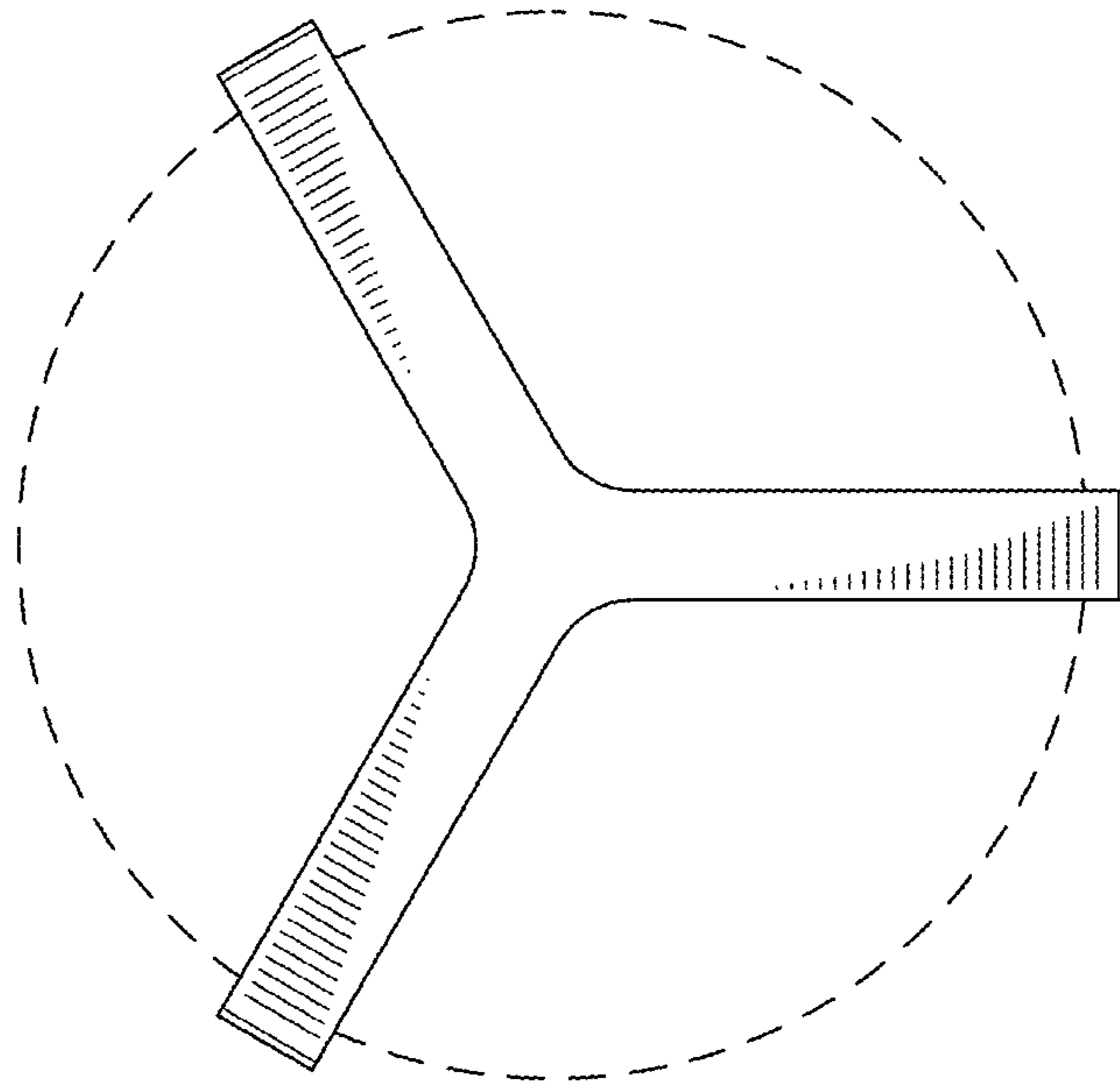


Fig. 5

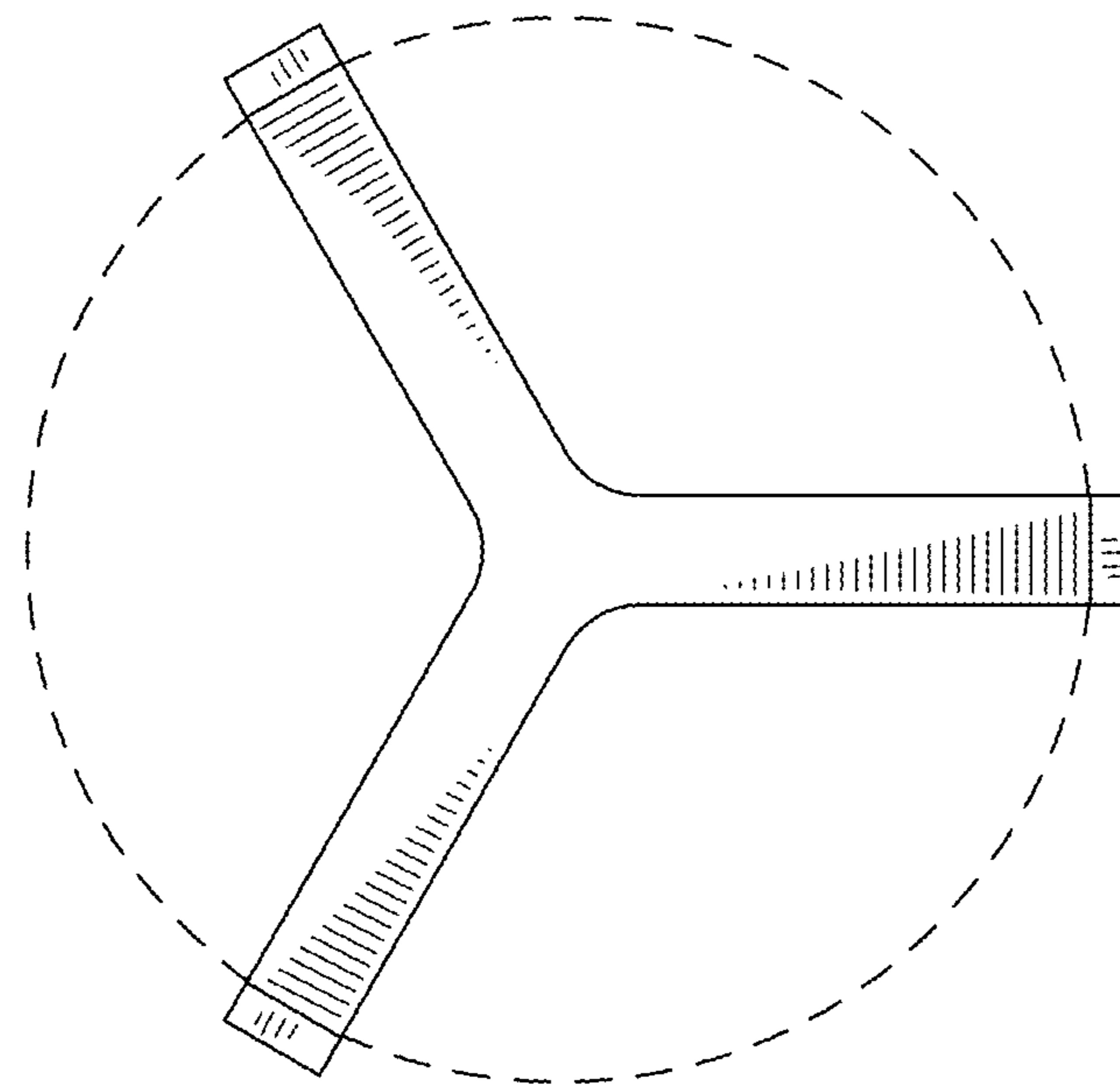


Fig. 6