



US00D743613S

(12) **United States Design Patent**  
**Bonadonna**

(10) **Patent No.:** **US D743,613 S**

(45) **Date of Patent:** **\*\* Nov. 17, 2015**

(54) **LAMP**

(71) Applicant: **Eternal Lite LLC**, Denver, CO (US)

(72) Inventor: **Nick Bonadonna**, Westminster, CO (US)

(73) Assignee: **Eternal Lite LLC**, Denver, CO (US)

(\*\*) Term: **14 Years**

(21) Appl. No.: **29/460,363**

(22) Filed: **Jul. 10, 2013**

(51) **LOC (10) Cl.** ..... **26-03**

(52) **U.S. Cl.**  
USPC ..... **D26/105**

(58) **Field of Classification Search**  
USPC ..... D26/5, 6, 13, 15, 73, 93-112, 142;  
362/392, 810, 161; D9/549, 767, 772  
CPC ..... F21S 6/001; F21S 6/002; F21S 8/06  
See application file for complete search history.

(56) **References Cited**

**U.S. PATENT DOCUMENTS**

676,289	A *	6/1901	Wagner	362/392
830,708	A *	9/1906	Goehst	439/123
2,349,072	A *	5/1944	Bormann	431/293
D177,631	S *	5/1956	Lagin	D26/105
4,006,653	A	2/1977	Kuntzsch	
D244,875	S *	6/1977	Baca	D26/105
D249,180	S *	8/1978	Vanbragt	D26/6
D249,384	S *	9/1978	Vanbragt	D26/6
4,507,716	A	3/1985	Benedict, Jr.	
4,617,614	A *	10/1986	Lederer	362/212
D331,879	S *	12/1992	Curzon et al.	D9/549
D444,385	S *	7/2001	Dixon, I	D9/772
D474,854	S *	5/2003	Lam	D26/96
6,616,308	B2 *	9/2003	Jensen et al.	362/351
6,685,345	B1	2/2004	Velasquez	
D488,582	S *	4/2004	Connelly et al.	D26/96
6,729,748	B2 *	5/2004	Reilly	362/392
6,966,665	B2 *	11/2005	Limburg et al.	362/96

D521,392	S *	5/2006	Christ et al.	D9/558
D570,228	S *	6/2008	van Dam	D9/772
D591,895	S *	5/2009	Sabernig	D26/105
D596,048	S *	7/2009	Hayden et al.	D9/772
D604,639	S *	11/2009	Huls et al.	D9/772
D607,754	S *	1/2010	Hayden et al.	D9/772
D618,115	S *	6/2010	Huls et al.	D9/772
D632,588	S *	2/2011	George	D9/772
D641,644	S *	7/2011	George	D9/772
D666,873	S *	9/2012	Gluck	D7/510
D707,568	S *	6/2014	Stephens et al.	D9/772
D723,393	S *	3/2015	Belafonte et al.	D9/772
2002/0080604	A1 *	6/2002	Niermann	362/173

**OTHER PUBLICATIONS**

International Search Report and Written Opinion dated Oct. 23, 2014, issued in corresponding International Application No. PCT/US14/43443.

\* cited by examiner

*Primary Examiner* — Clare E Heflin

(74) *Attorney, Agent, or Firm* — Onello & Mello, LLP

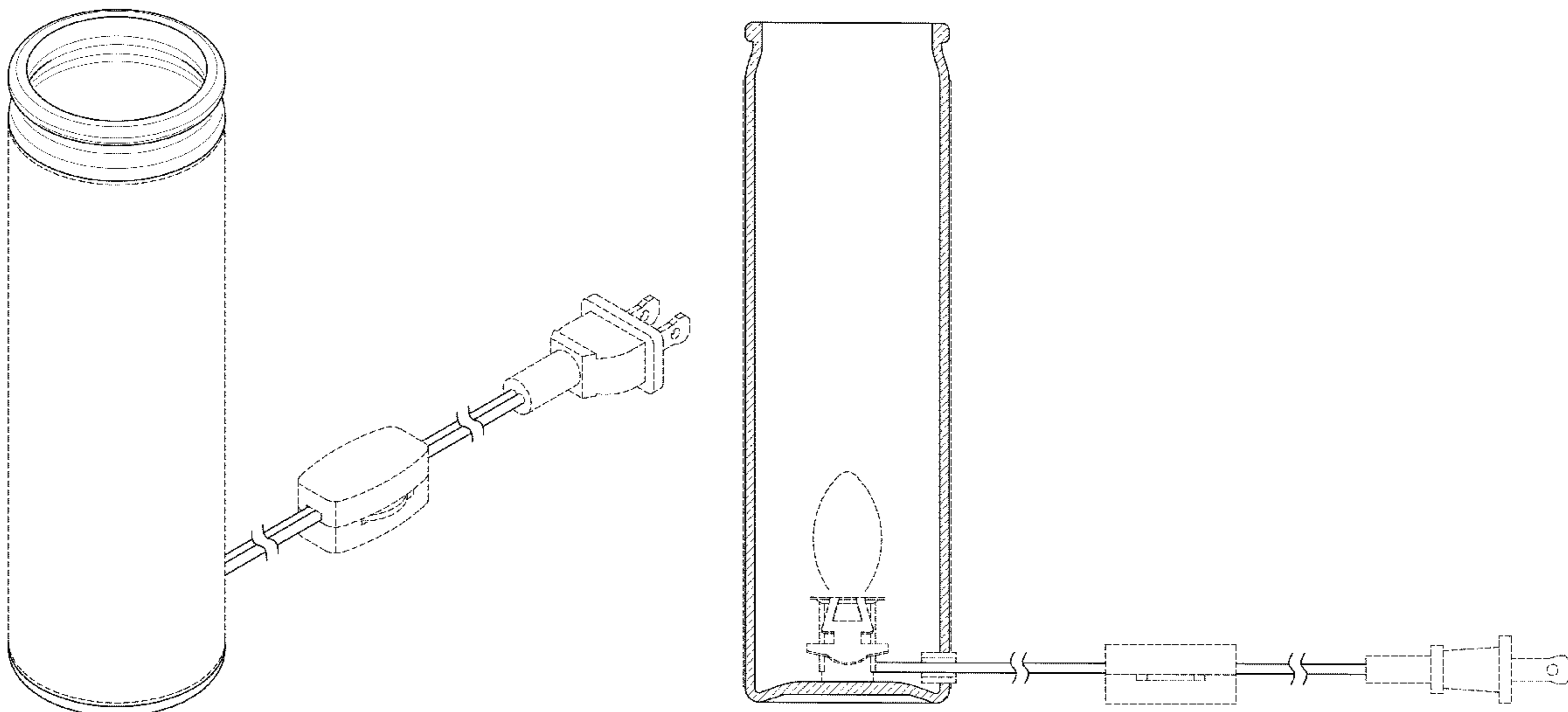
(57) **CLAIM**

The ornamental design for a lamp, as shown and described.

**DESCRIPTION**

FIG. 1 is a perspective view of a lamp, in accordance with the present invention;  
FIG. 2 is a side view of the lamp of FIG. 1;  
FIG. 3 is a front view of the lamp of FIGS. 1 and 2;  
FIG. 4 is a rear view of the lamp of FIGS. 1-3;  
FIG. 5 is a top plan view of the lamp of FIGS. 1-4;  
FIG. 6 is a bottom plan view of the lamp of FIGS. 1-5; and,  
FIG. 7 is a cross-sectional view of the lamp of FIGS. 1-6, taken along line 7-7 of FIG. 5.  
Portions of the power cord are shown broken away to indicate that no specific length is claimed.

**1 Claim, 5 Drawing Sheets**



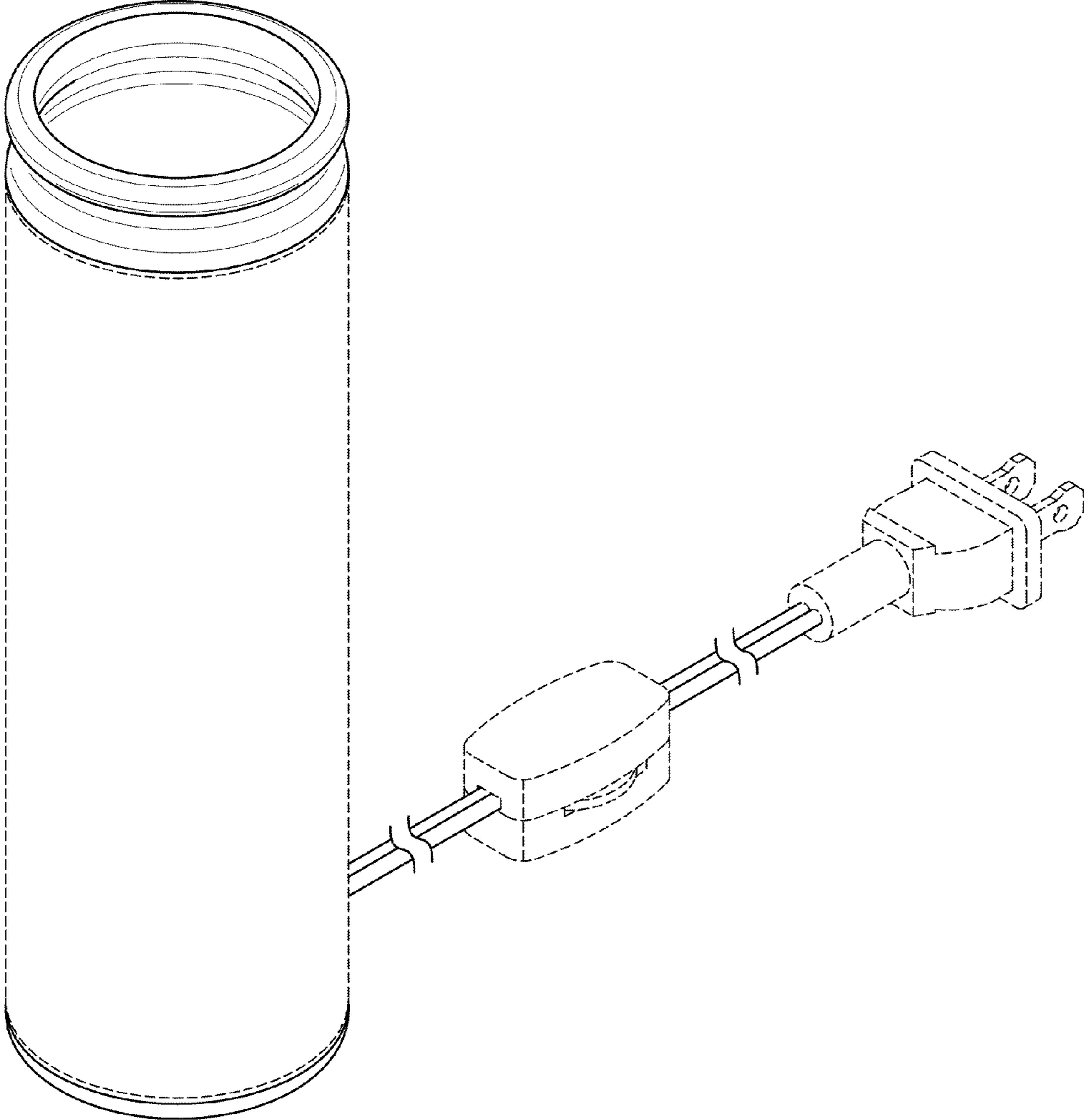


FIG. 1

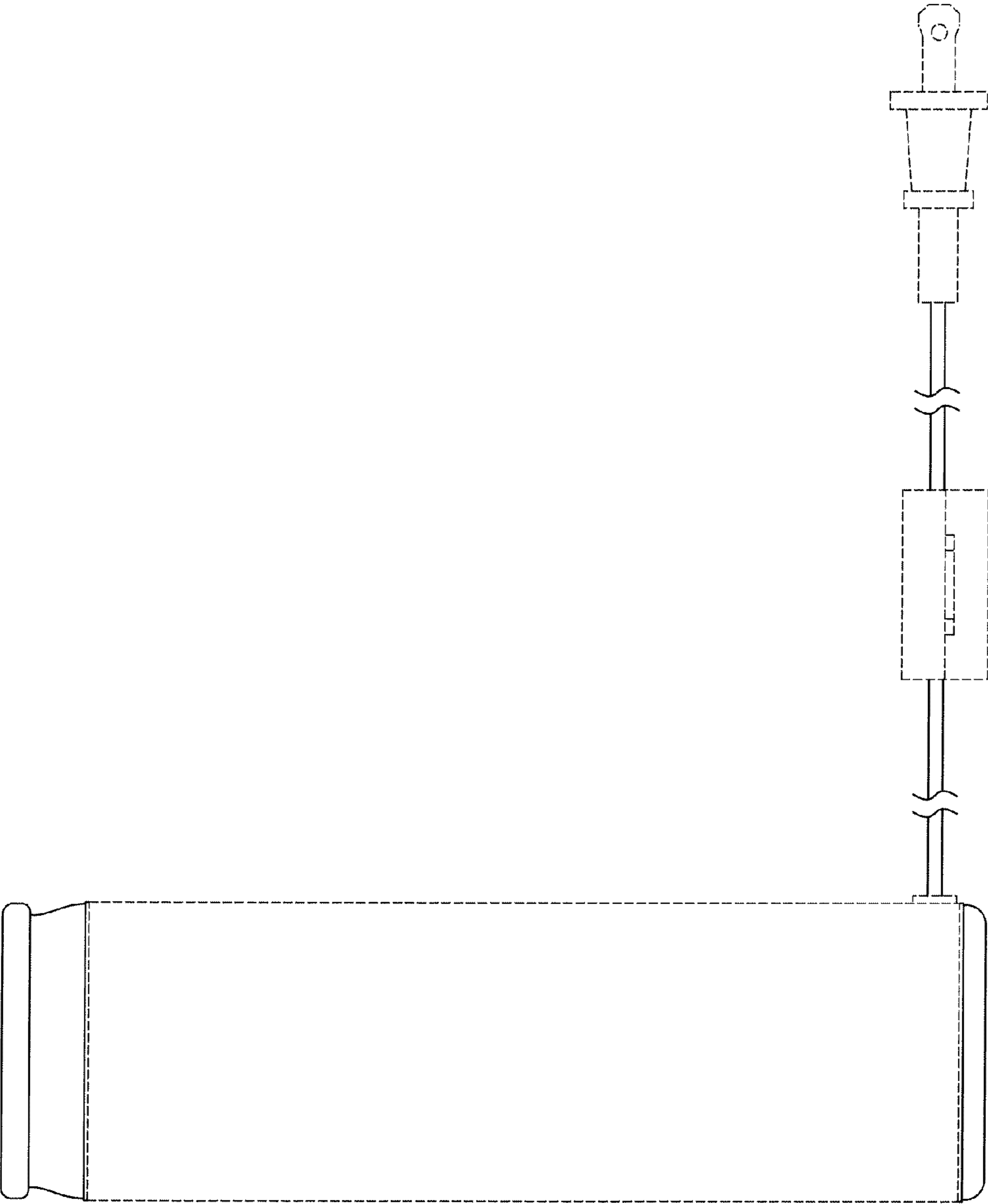


FIG. 2

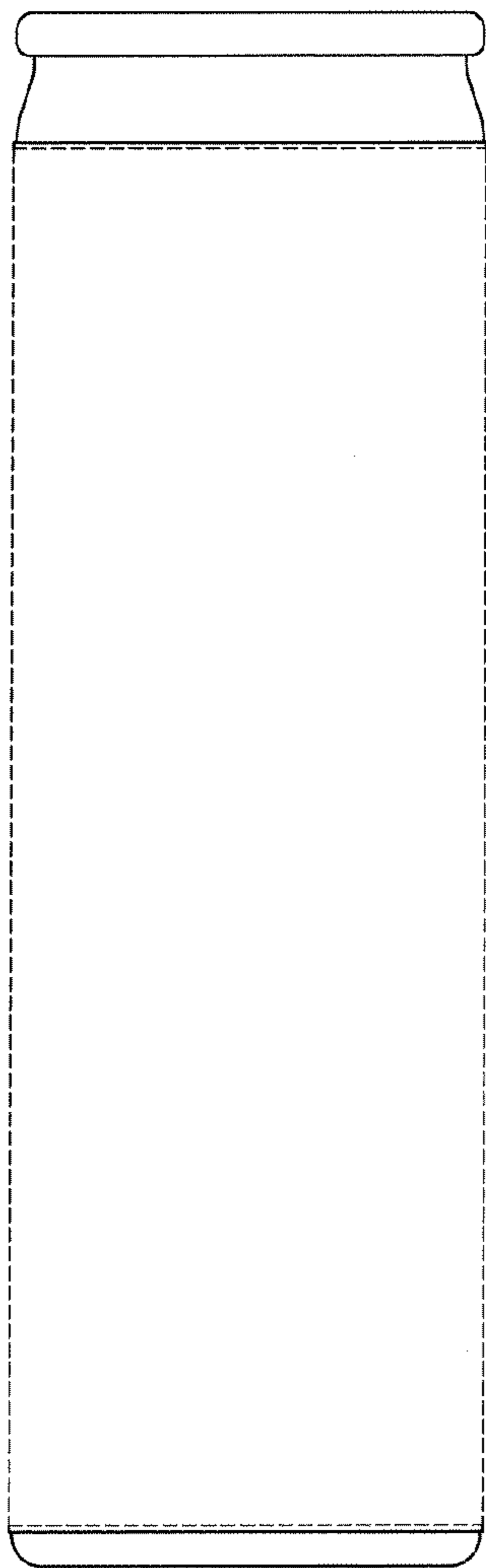


FIG. 3

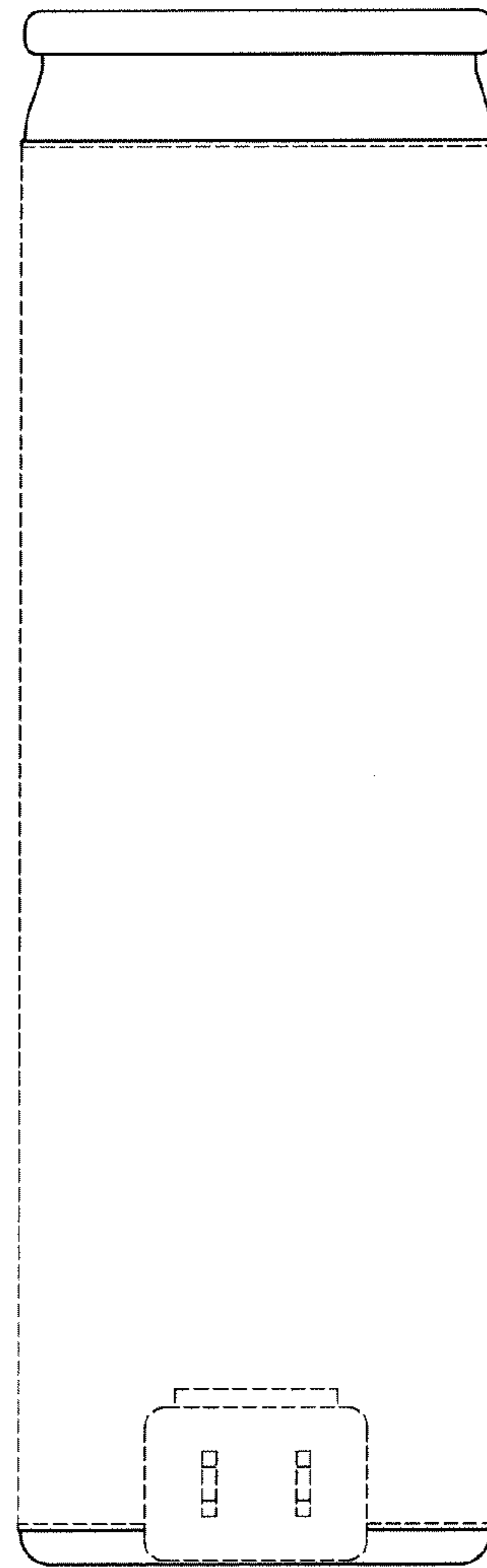


FIG. 4

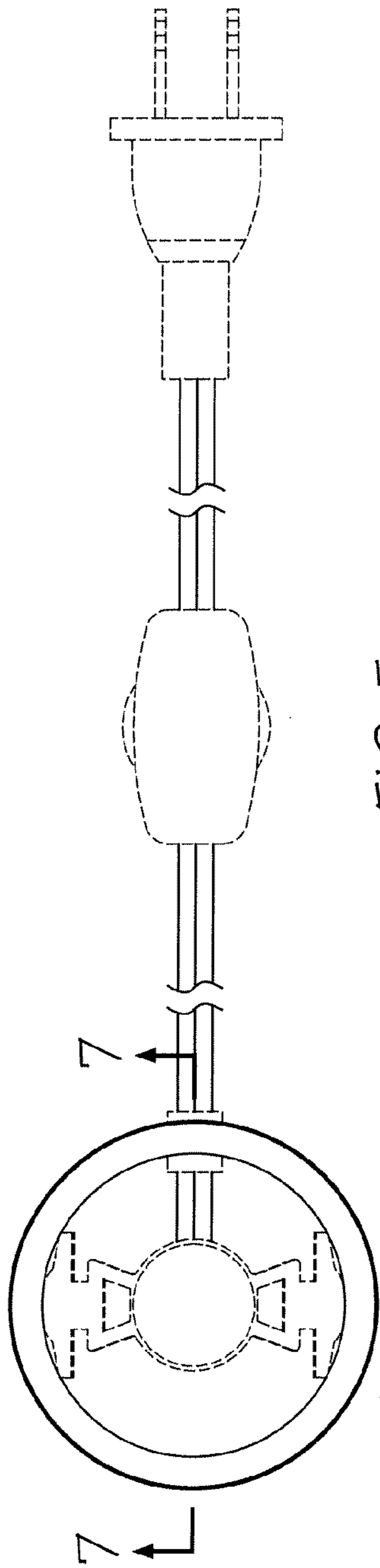


FIG. 5

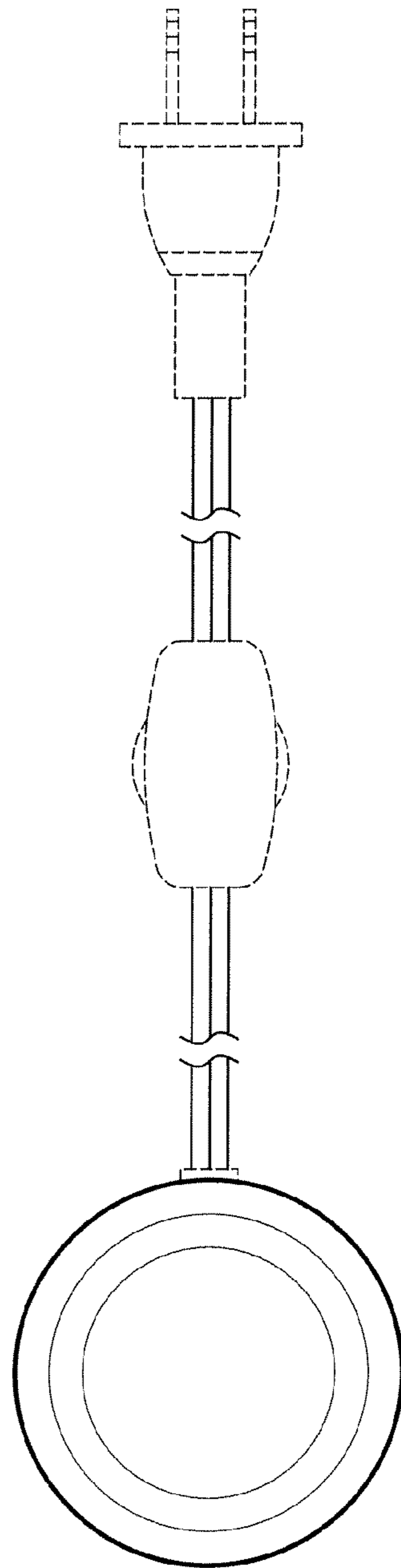


FIG. 6

