



US00D743612S

(12) **United States Design Patent**
Stolte et al.

(10) **Patent No.:** **US D743,612 S**

(45) **Date of Patent:** **** Nov. 17, 2015**

(54) **LIGHTING FIXTURE**

(71) Applicant: **KENALL MANUFACTURING COMPANY**, Gurnee, IL (US)

(72) Inventors: **Brandon Stolte**, Lindenhurst, IL (US);
Brad Wilson, Twin Lakes, WI (US)

(73) Assignee: **KENALL MANUFACTURING COMPANY**, Kenosha, WI (US)

(**) Term: **14 Years**

(21) Appl. No.: **29/499,237**

(22) Filed: **Aug. 13, 2014**

(51) **LOC (10) Cl.** **26-05**

(52) **U.S. Cl.**
USPC **D26/92**

(58) **Field of Classification Search**
USPC D26/67-72, 92, 89
CPC F21S 8/08; F21S 8/085; F21S 8/086;
F21S 8/088; F21V 21/13
See application file for complete search history.

(56) **References Cited**

U.S. PATENT DOCUMENTS

D162,124 S * 2/1951 Brooks D26/89
2,907,870 A * 10/1959 Calmes 362/294

(Continued)

OTHER PUBLICATIONS

From eurostylelighting.com, visited on Aug. 5, 2010—Murray Feiss
Essentail 13" Wide Ceiling Light.*

(Continued)

(74) *Attorney, Agent, or Firm* — Marshall, Gerstein & Borun
LLP

(57) **CLAIM**

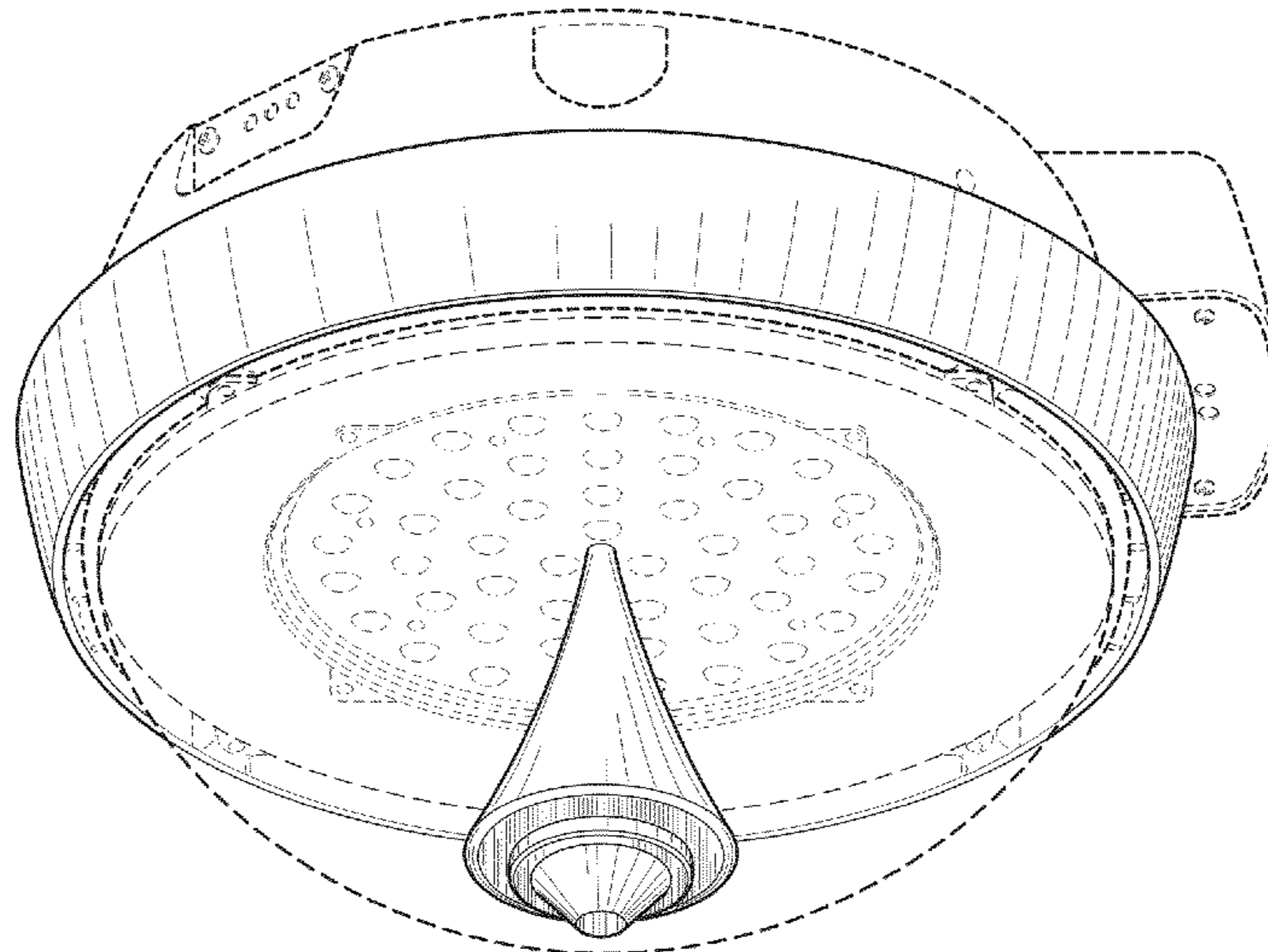
The ornamental design for a lighting fixture, as shown and described.

DESCRIPTION

FIG. 1 is a perspective view showing a first embodiment of a new design for a lighting fixture;
FIG. 2 is a bottom view of the lighting fixture of FIG. 1;
FIG. 3 is a front view of the lighting fixture of FIG. 1;
FIG. 4 is a right-side view of the lighting fixture of FIG. 1;
FIG. 5 is a back view of the lighting fixture of FIG. 1;
FIG. 6 is a left-side view of the lighting fixture of FIG. 1;
FIG. 7 is a top view of the lighting fixture of FIG. 1;
FIG. 8 is a perspective view showing a second embodiment of a new design for a lighting fixture;
FIG. 9 is a bottom view of the lighting fixture of FIG. 8;
FIG. 10 is a front view of the lighting fixture of FIG. 8;
FIG. 11 is a right-side view of the lighting fixture of FIG. 8;
FIG. 12 is a back view of the lighting fixture of FIG. 8;
FIG. 13 is a left-side view of the lighting fixture of FIG. 8;
FIG. 14 is a top view of the lighting fixture of FIG. 8;
FIG. 15 is a perspective view showing a third embodiment of a new design for a lighting fixture;
FIG. 16 is a bottom view of the lighting fixture of FIG. 15;
FIG. 17 is a front view of the lighting fixture of FIG. 15;
FIG. 18 is a right-side view of the lighting fixture of FIG. 15;
FIG. 19 is a back view of the lighting fixture of FIG. 15;
FIG. 20 is a left-side view of the lighting fixture of FIG. 15;
and,
FIG. 21 is a top view of the lighting fixture of FIG. 15.
The dashed lines showing portions of the lighting fixture are included for the purpose of illustrating environment and form no part of the claimed design.

Primary Examiner — Clare E Hefflin

1 Claim, 21 Drawing Sheets



(56)

References Cited

U.S. PATENT DOCUMENTS

3,065,339 A * 11/1962 Fahey, Jr. 362/264
 D230,071 S * 1/1974 Anderson D26/67
 D294,523 S * 3/1988 Ewing et al. D26/71
 D294,646 S * 3/1988 Ewing et al. D26/71
 D329,714 S * 9/1992 McIngvale et al. D26/71
 D393,093 S * 3/1998 Fiorato D26/85
 D465,599 S * 11/2002 Thompson D26/89
 6,523,982 B1 * 2/2003 Haddad 362/375
 D535,051 S * 1/2007 Stauffer D26/128
 D571,034 S * 6/2008 Goetz-Schaefer D26/85
 D583,091 S * 12/2008 Benensohn D26/89
 D588,300 S * 3/2009 Sabernig D26/89
 7,611,264 B1 * 11/2009 Chang et al. 362/249.02
 D624,684 S * 9/2010 Hemby D26/71
 D628,738 S * 12/2010 Chen, Chia-Teh D26/89
 D639,996 S * 6/2011 Stolte et al. D26/89
 D643,959 S * 8/2011 Hemby D26/71

8,240,885 B2 * 8/2012 Miller 362/294
 D668,811 S * 10/2012 Peter D26/89
 D691,763 S * 10/2013 Hand et al. D26/89
 9,062,843 B2 * 6/2015 Rami et al. 1/1
 2009/0073689 A1 * 3/2009 Patrick 362/234
 2009/0296403 A1 * 12/2009 Zhang et al. 362/294
 2012/0176792 A1 7/2012 Stolte et al.

OTHER PUBLICATIONS

From eurostylelighting.com, visited on Aug. 5, 2010—Sonneman Vienna polished nickel 17" ceiling light.*
 From eurostylelighting.com, visited on Aug. 5, 2010—Forecast Presto Collection 10" wide ceiling light.*
 From eurostylelighting.com, visited on Aug. 5, 2010—Sonneman Trumpet 21" surface ceiling light and Sonneman Rialto 17" ceiling light.*
 TekDek™ Advanced Lighting for Parking Garages Brochure, Kenall, 36 Pages, (C)2012.

* cited by examiner

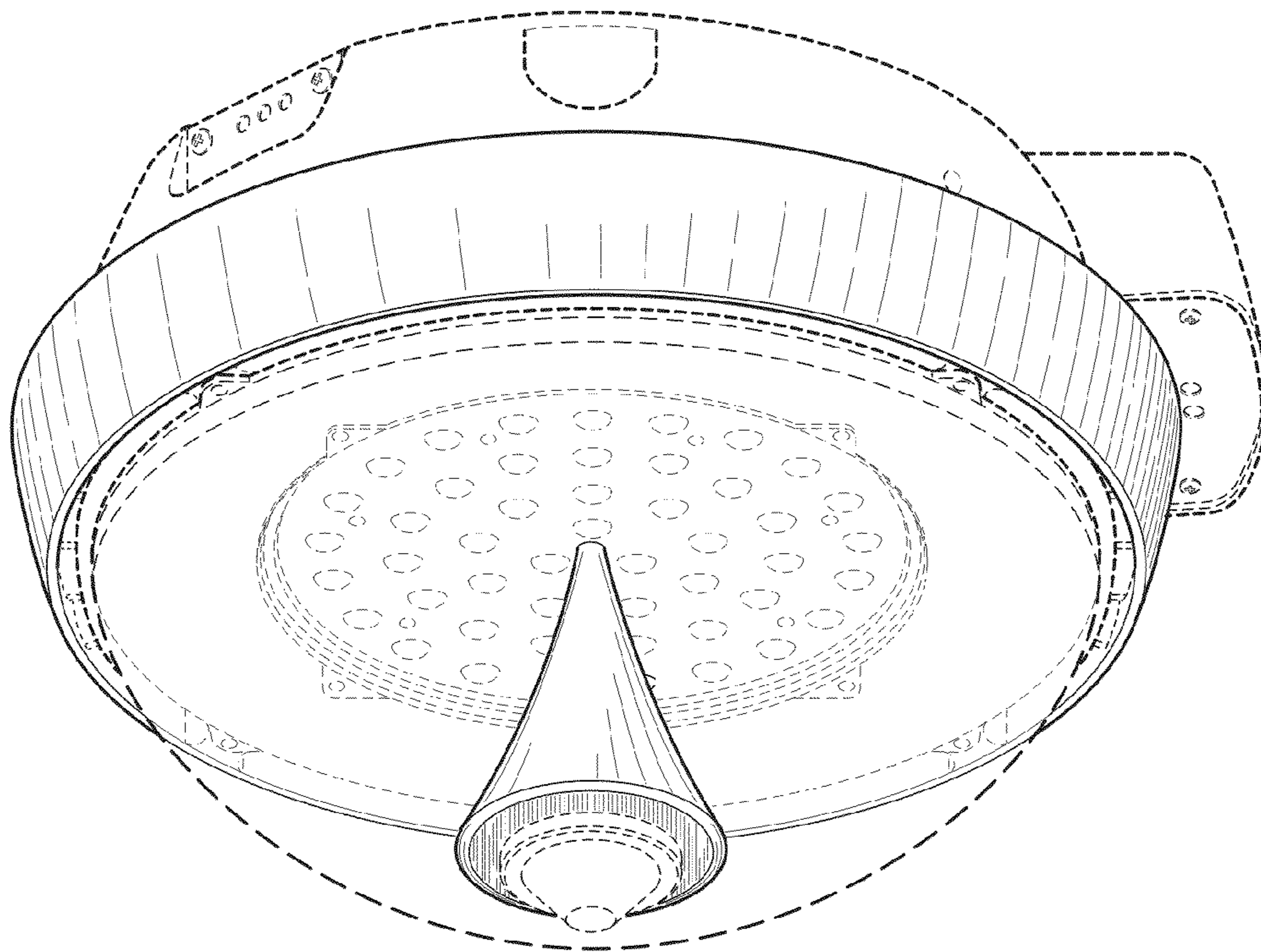


FIG. 1

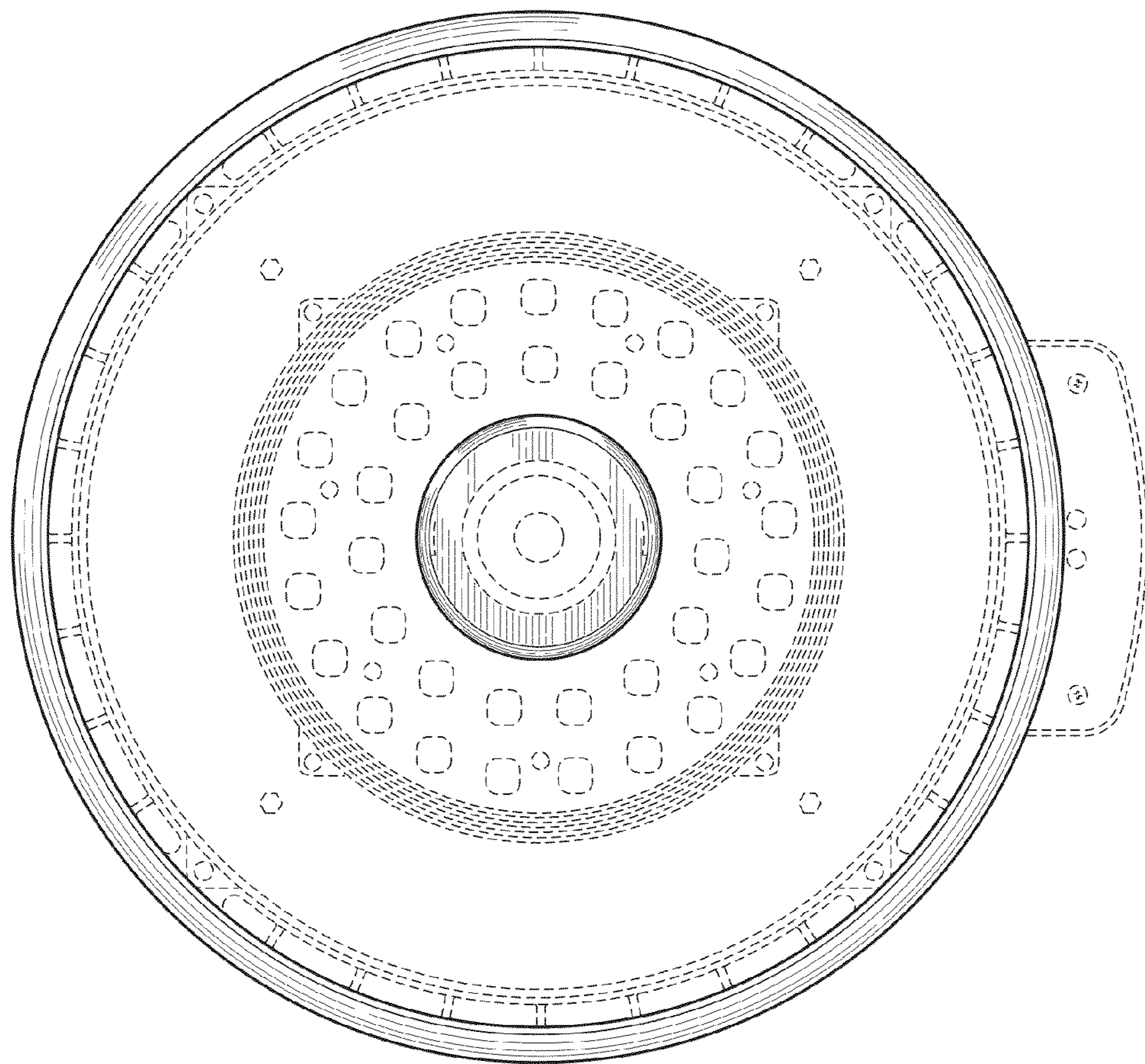


FIG. 2

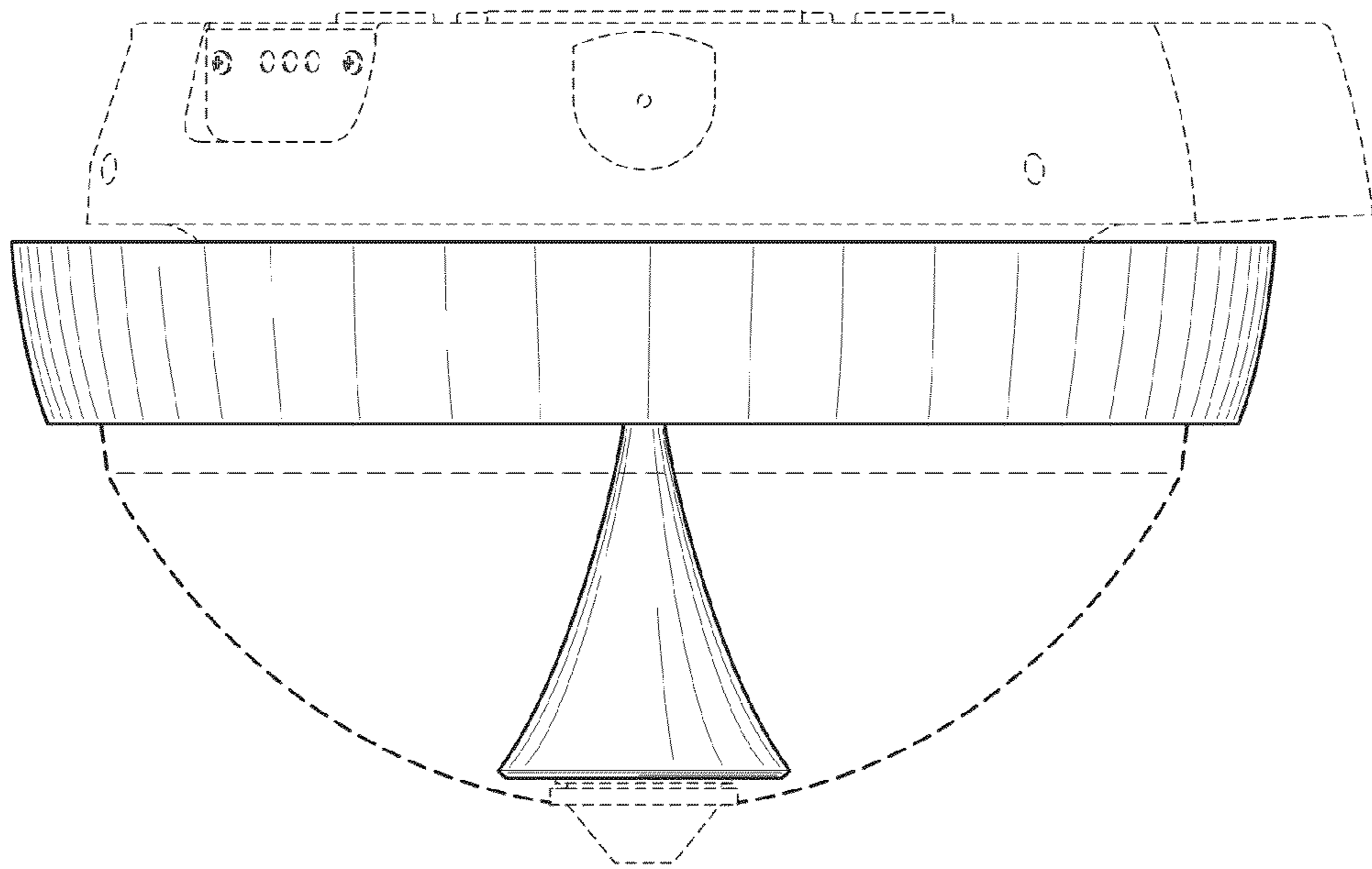


FIG. 3

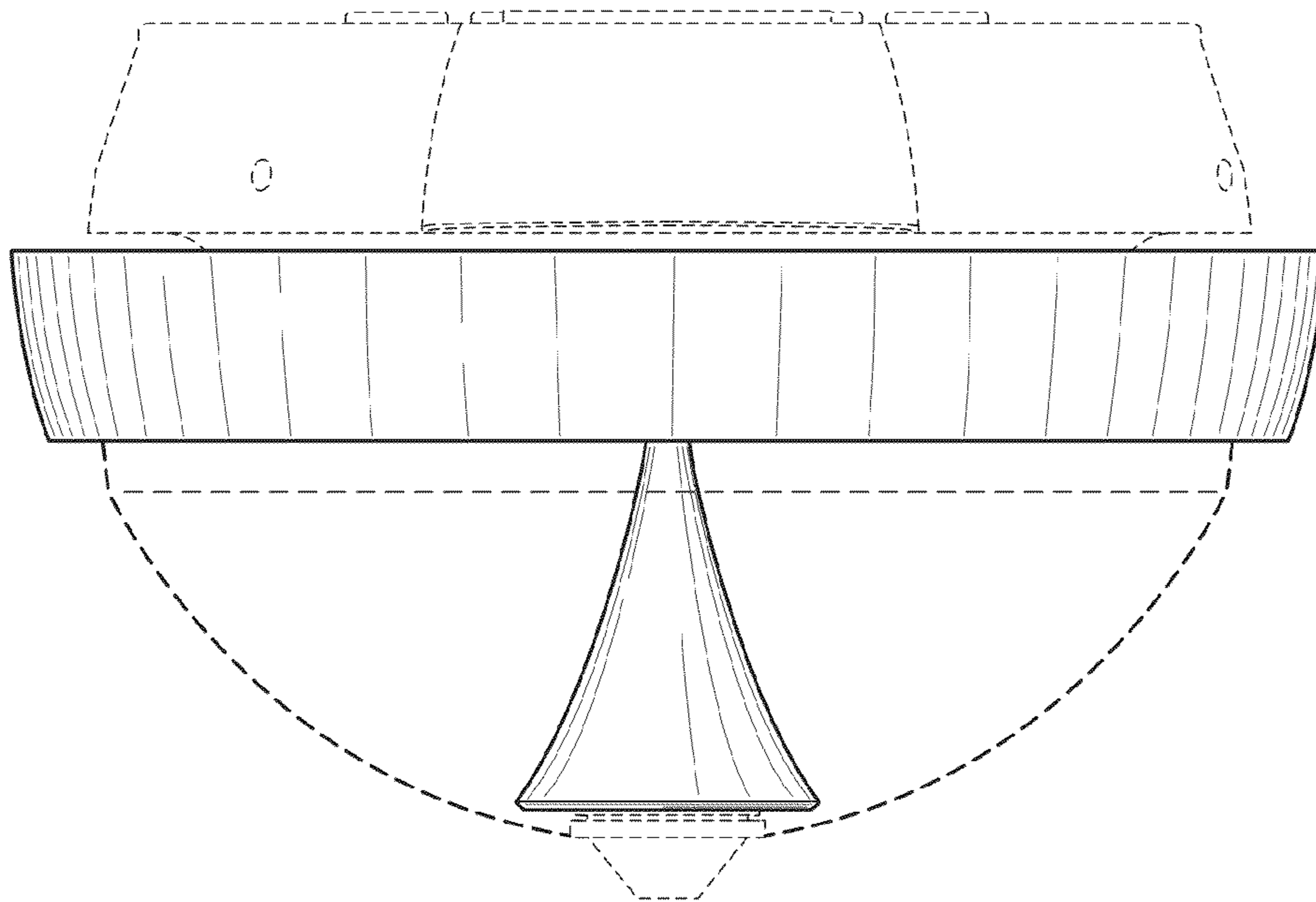


FIG. 4

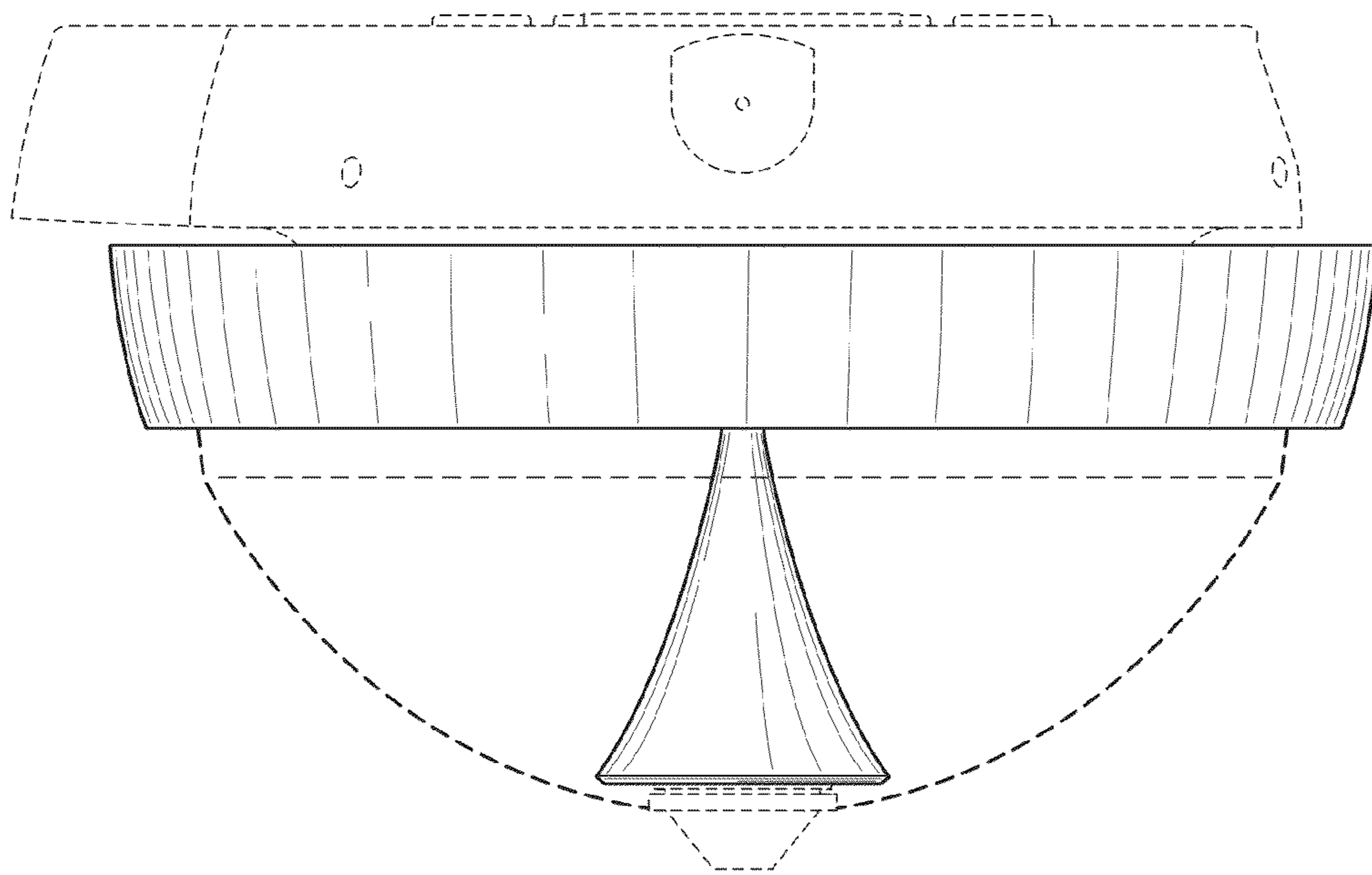


FIG. 5

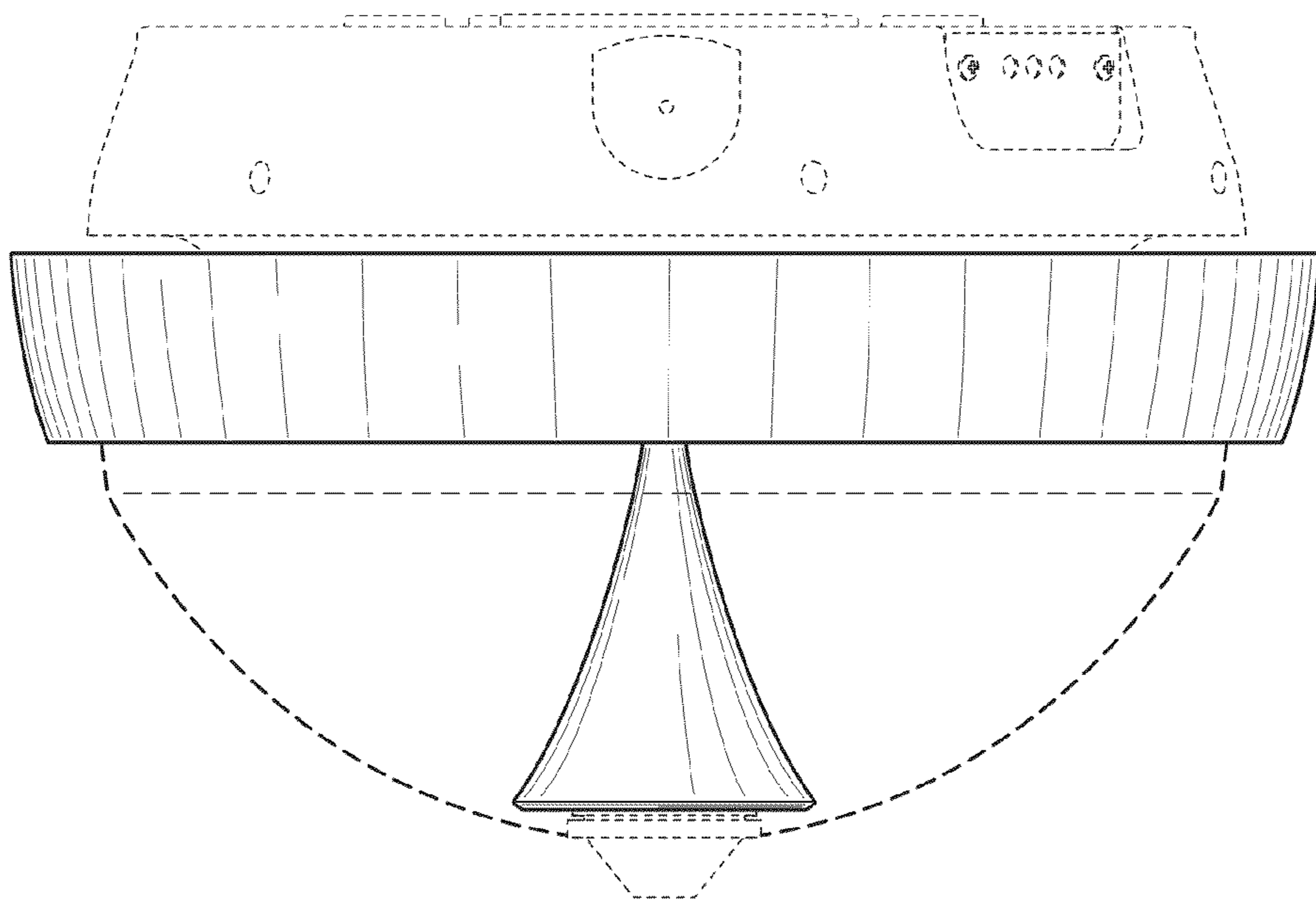


FIG. 6

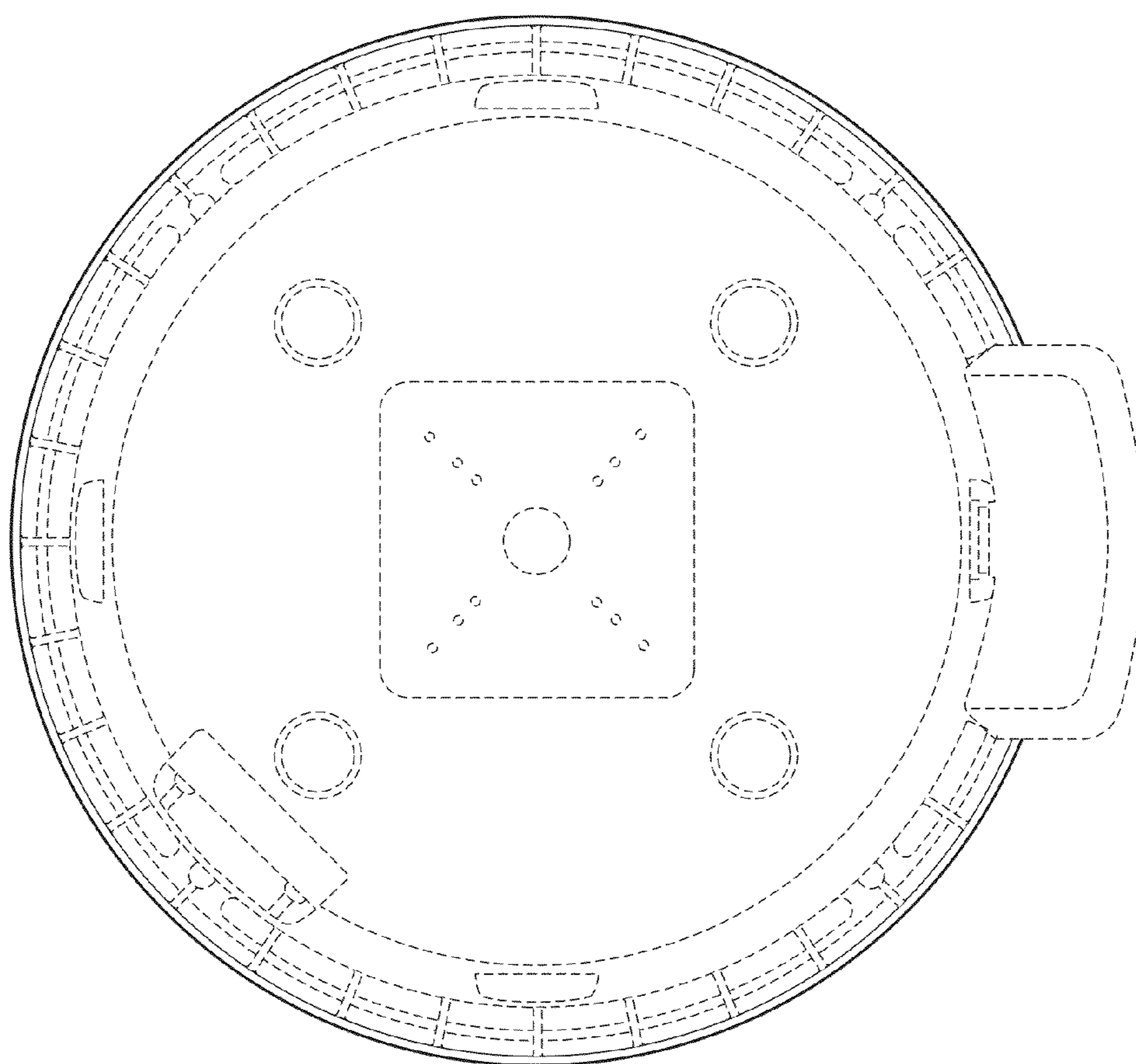


FIG. 7

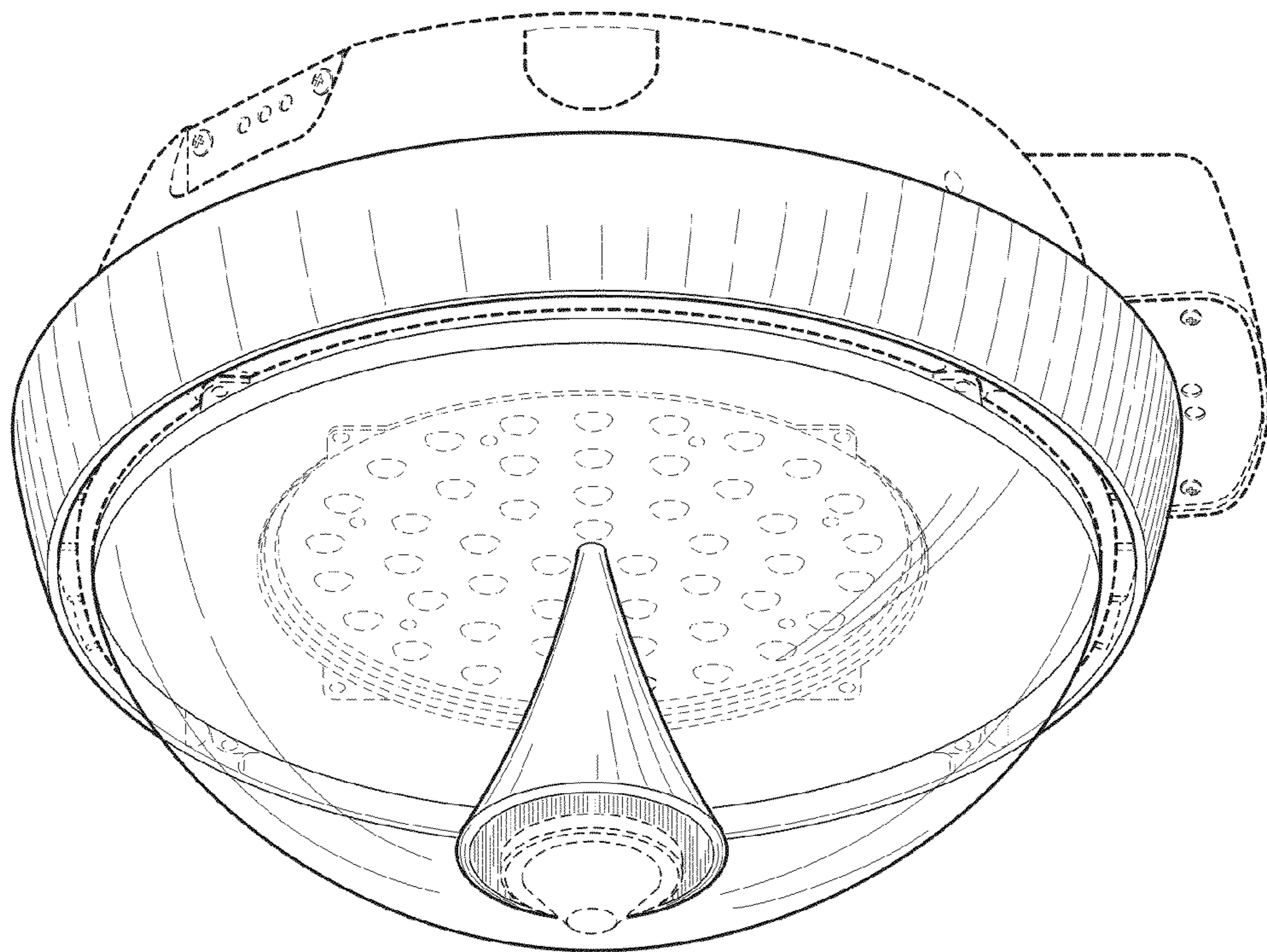


FIG. 8

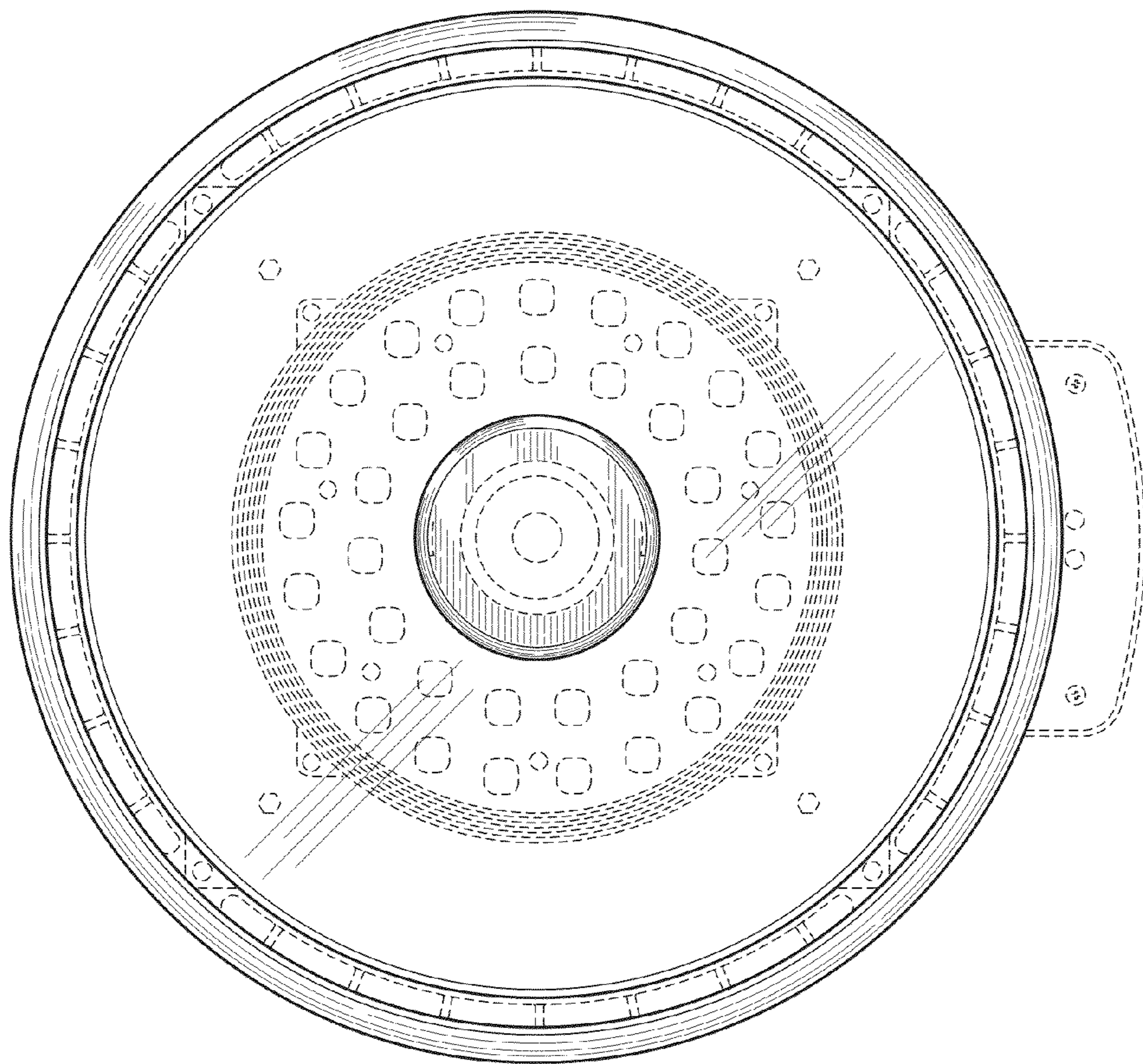


FIG. 9

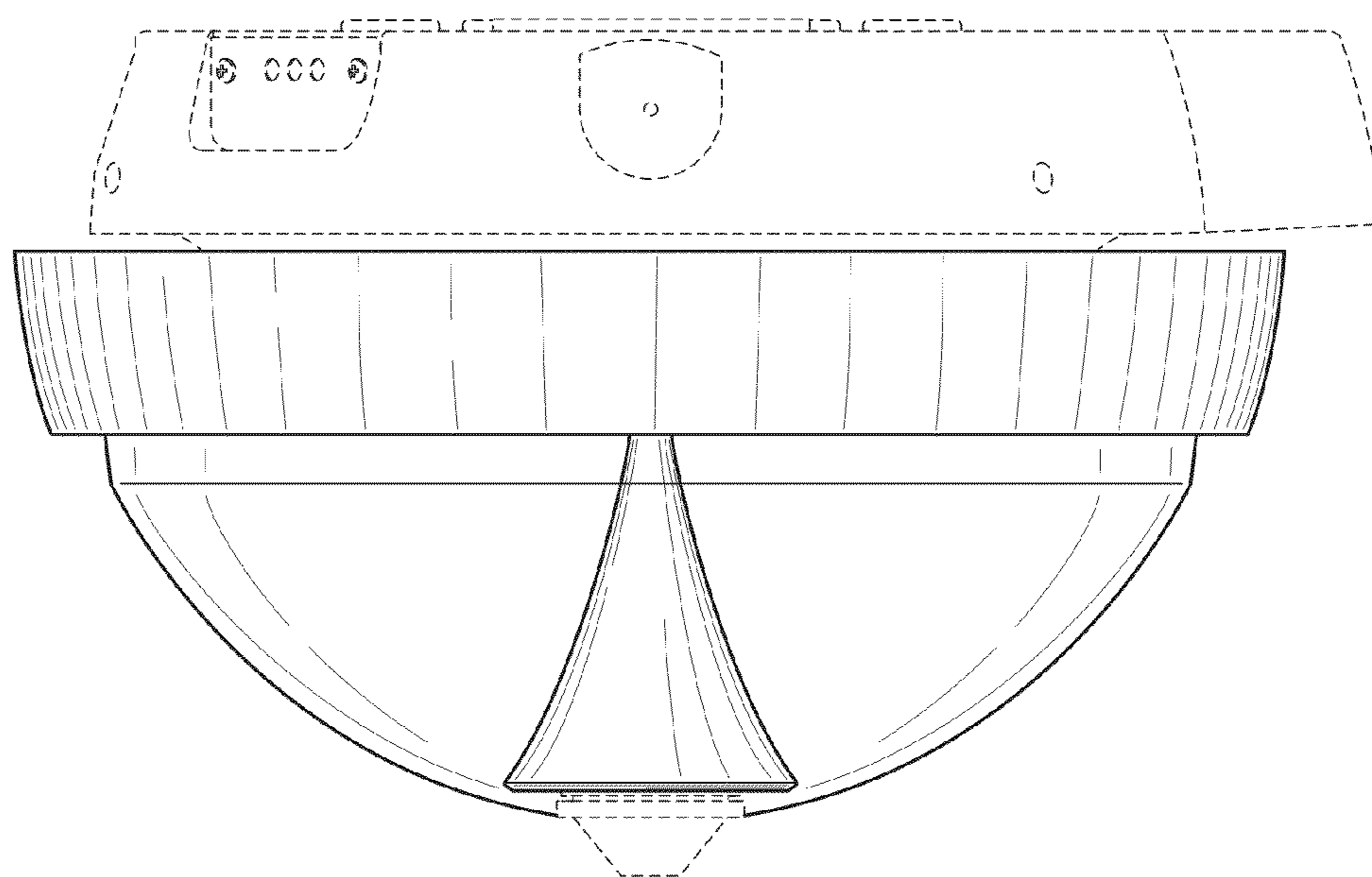


FIG. 10

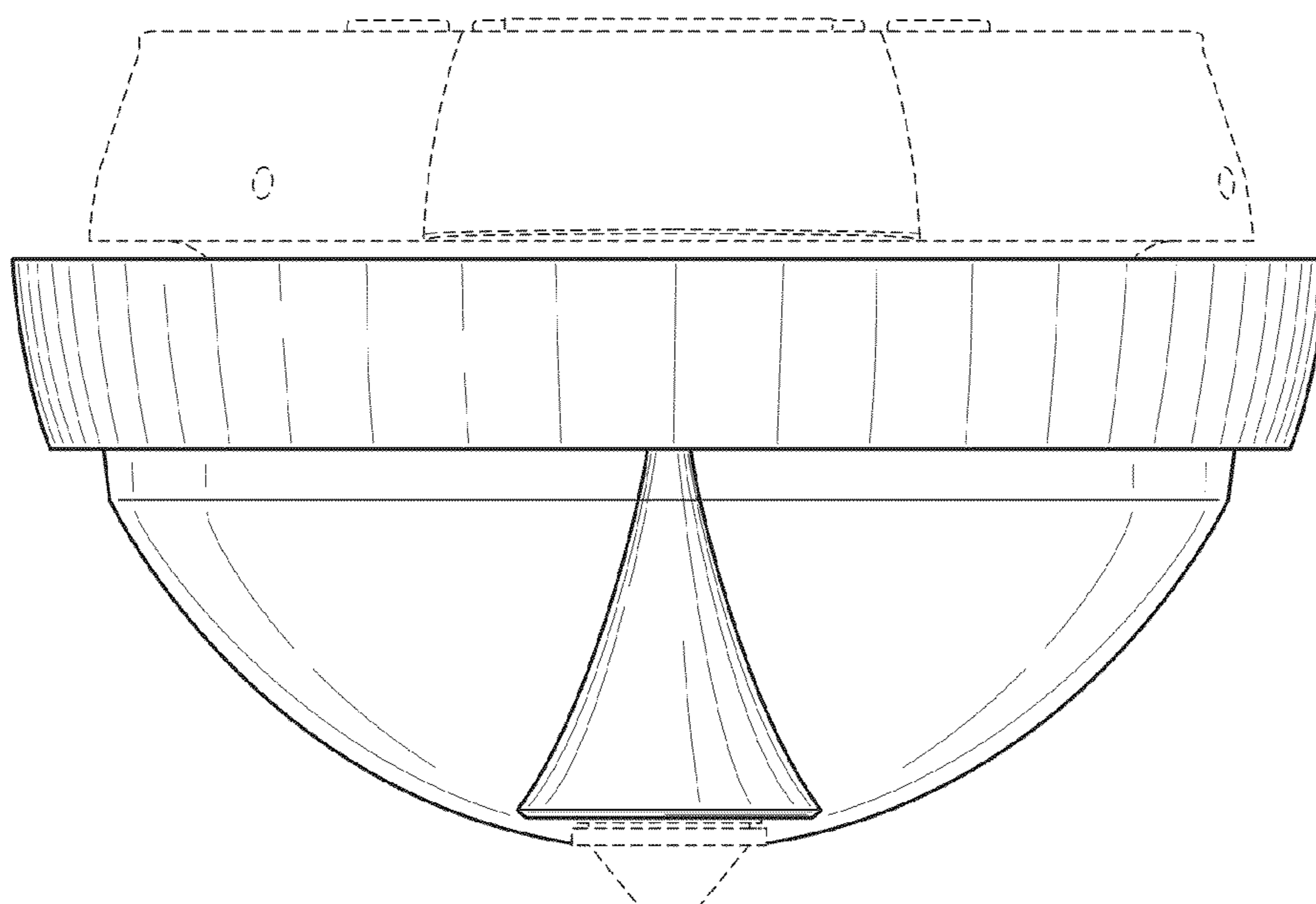


FIG. 11

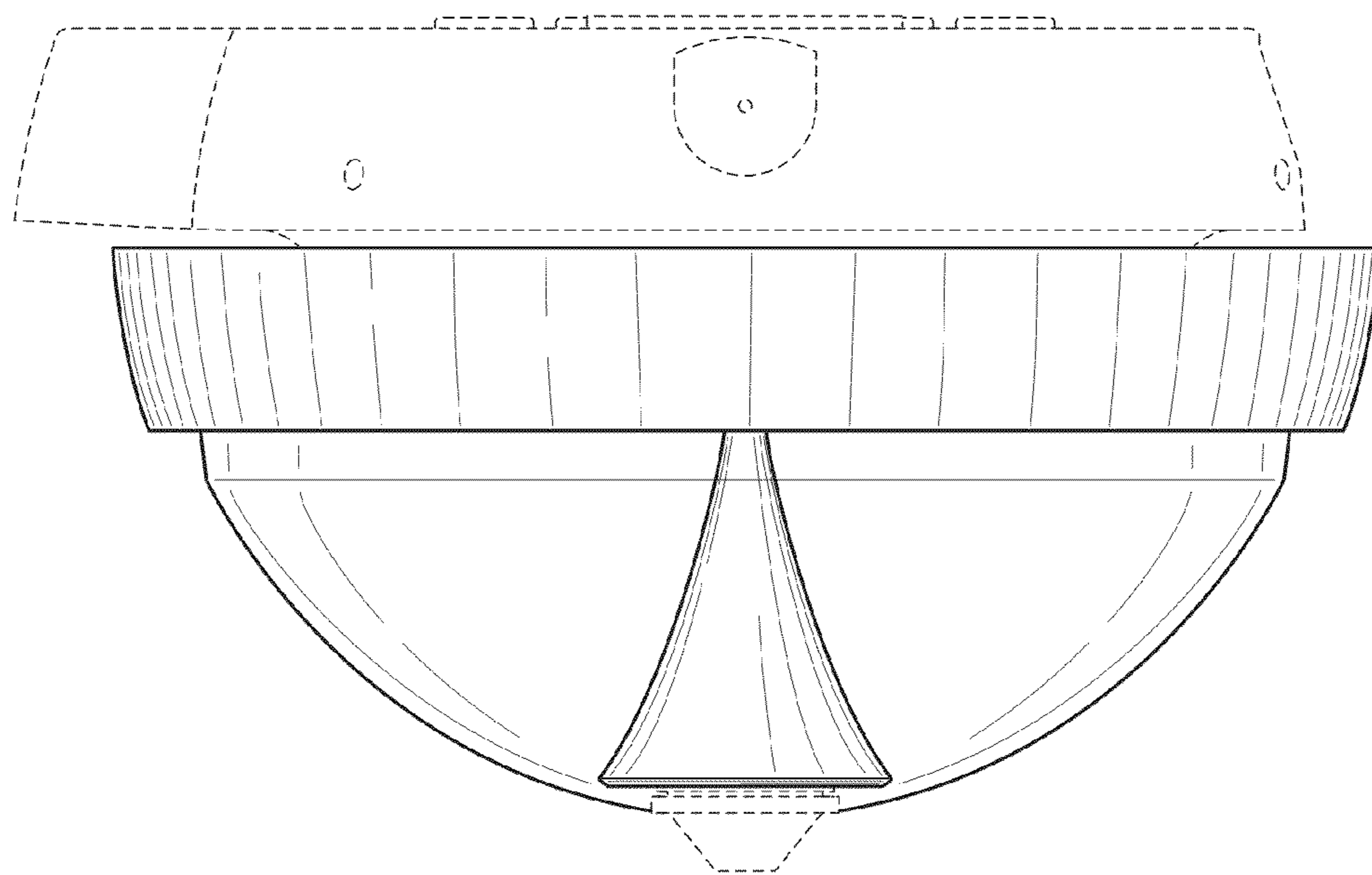


FIG. 12

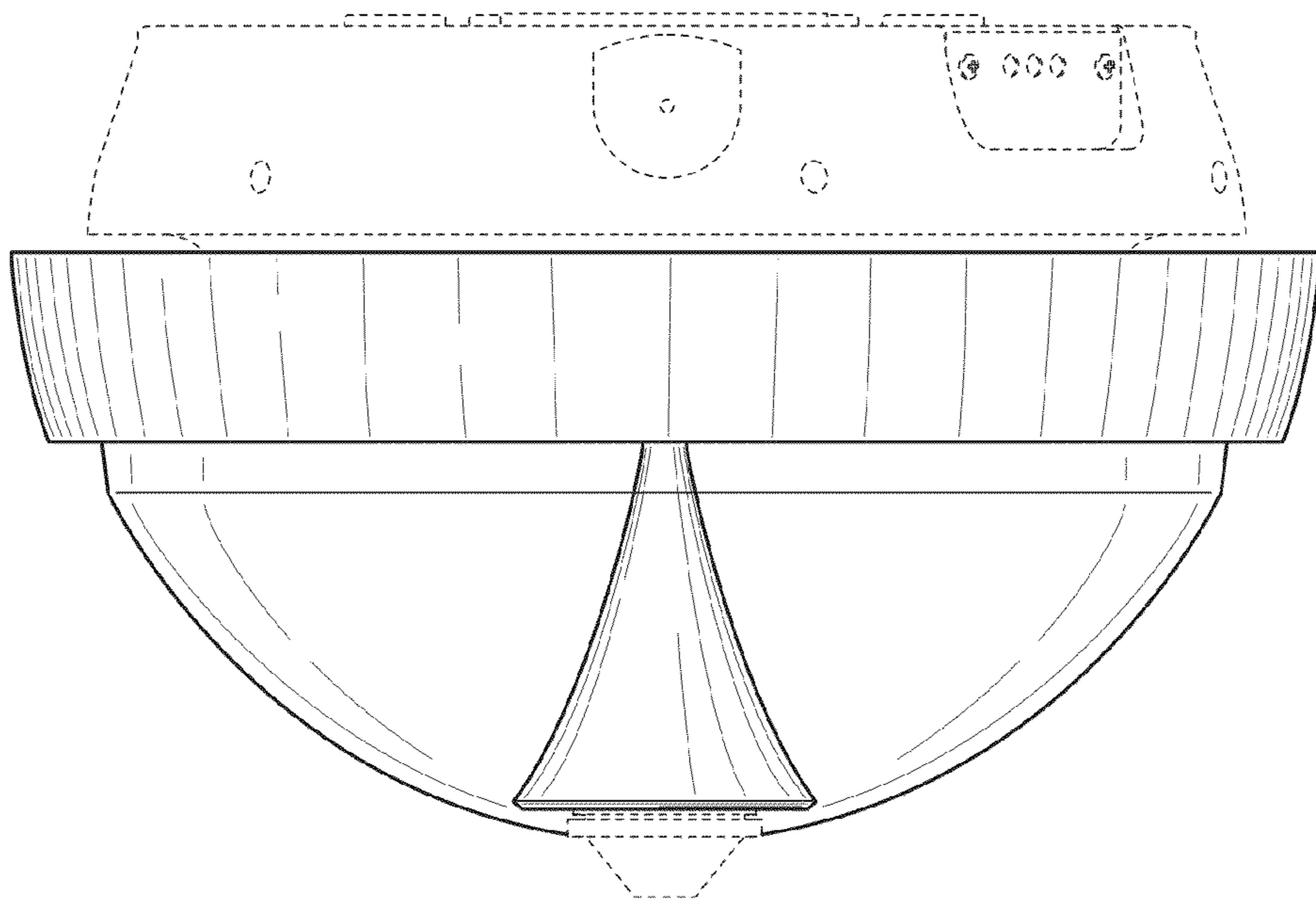


FIG. 13

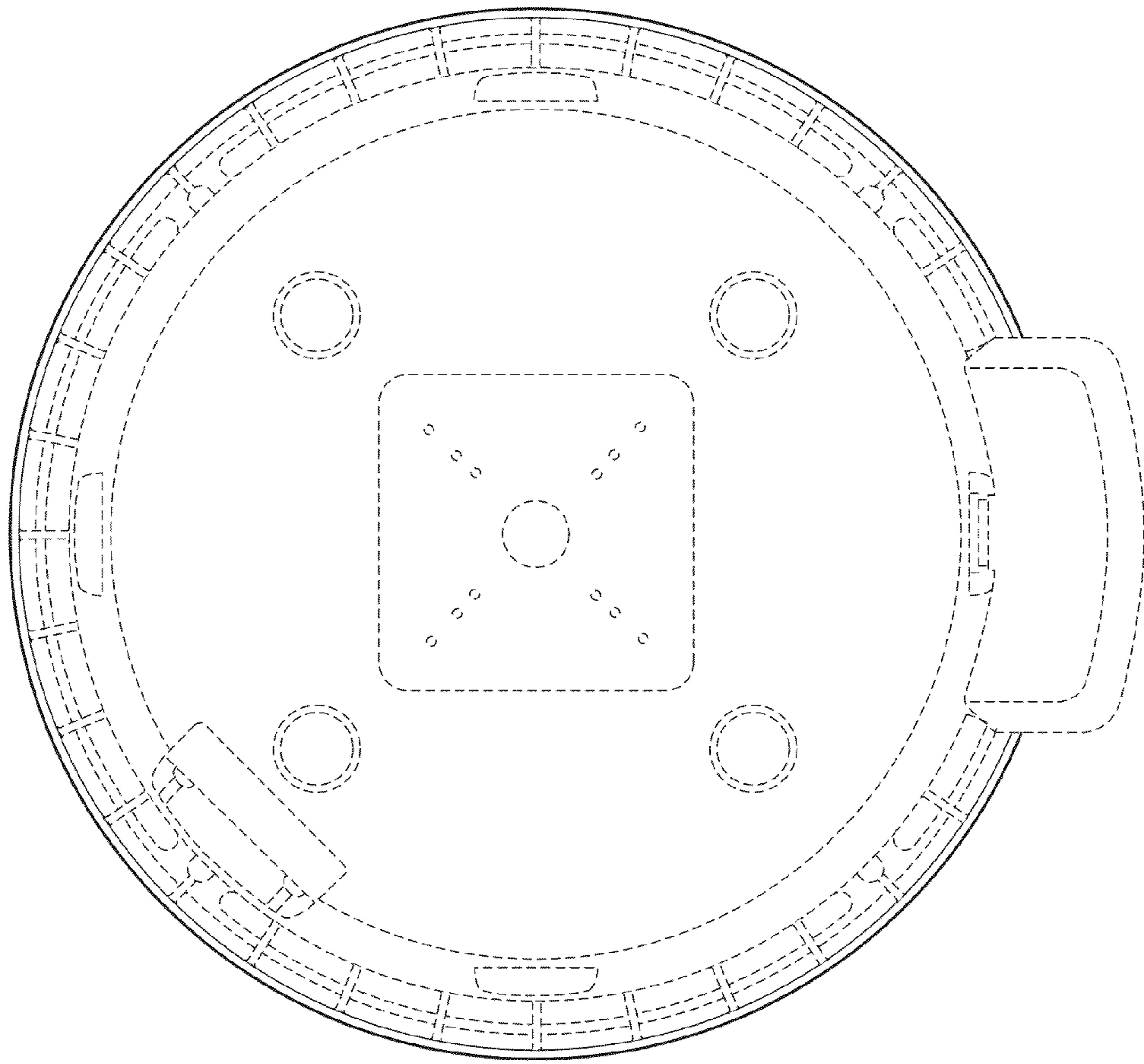


FIG. 14

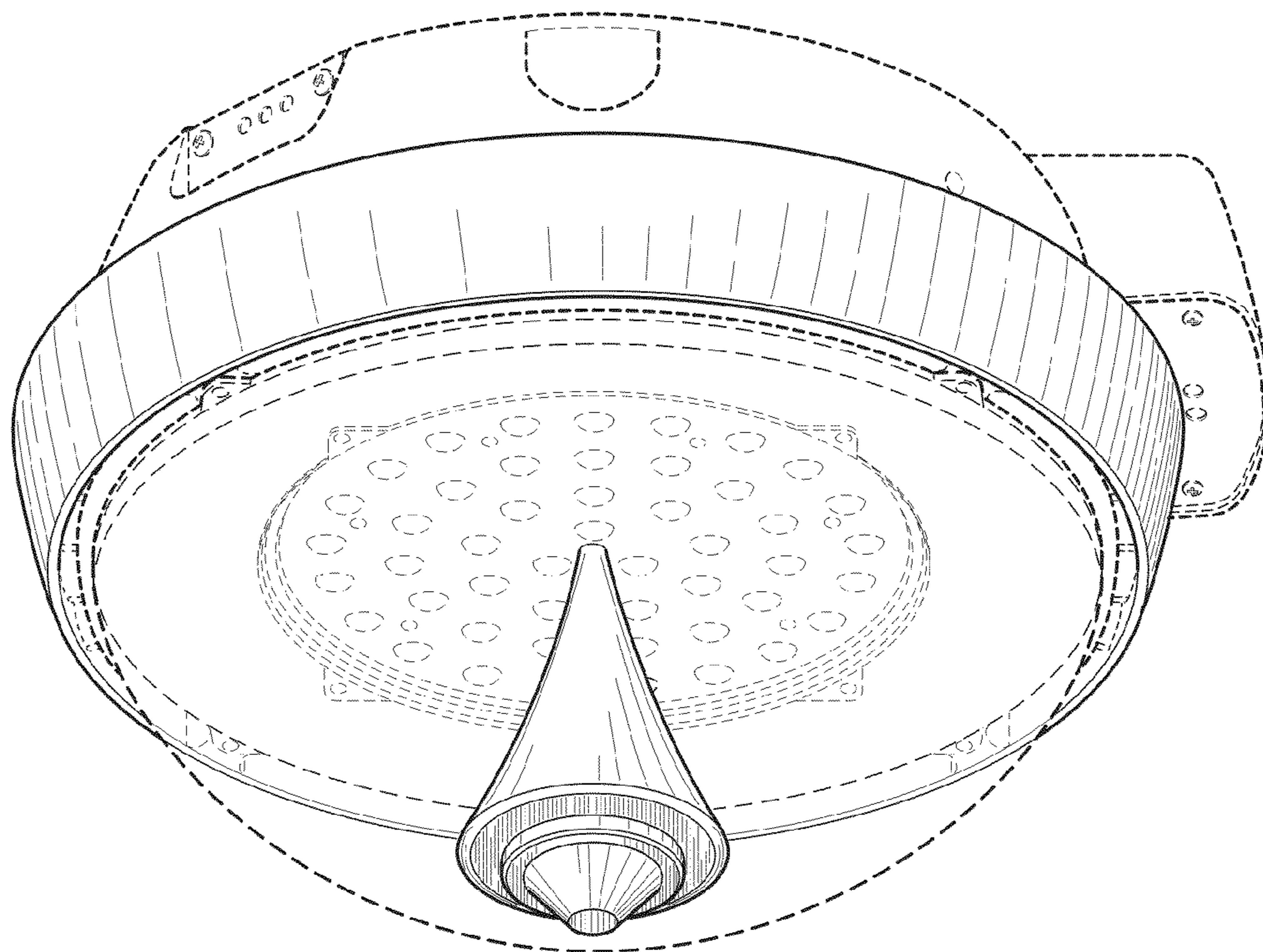


FIG. 15

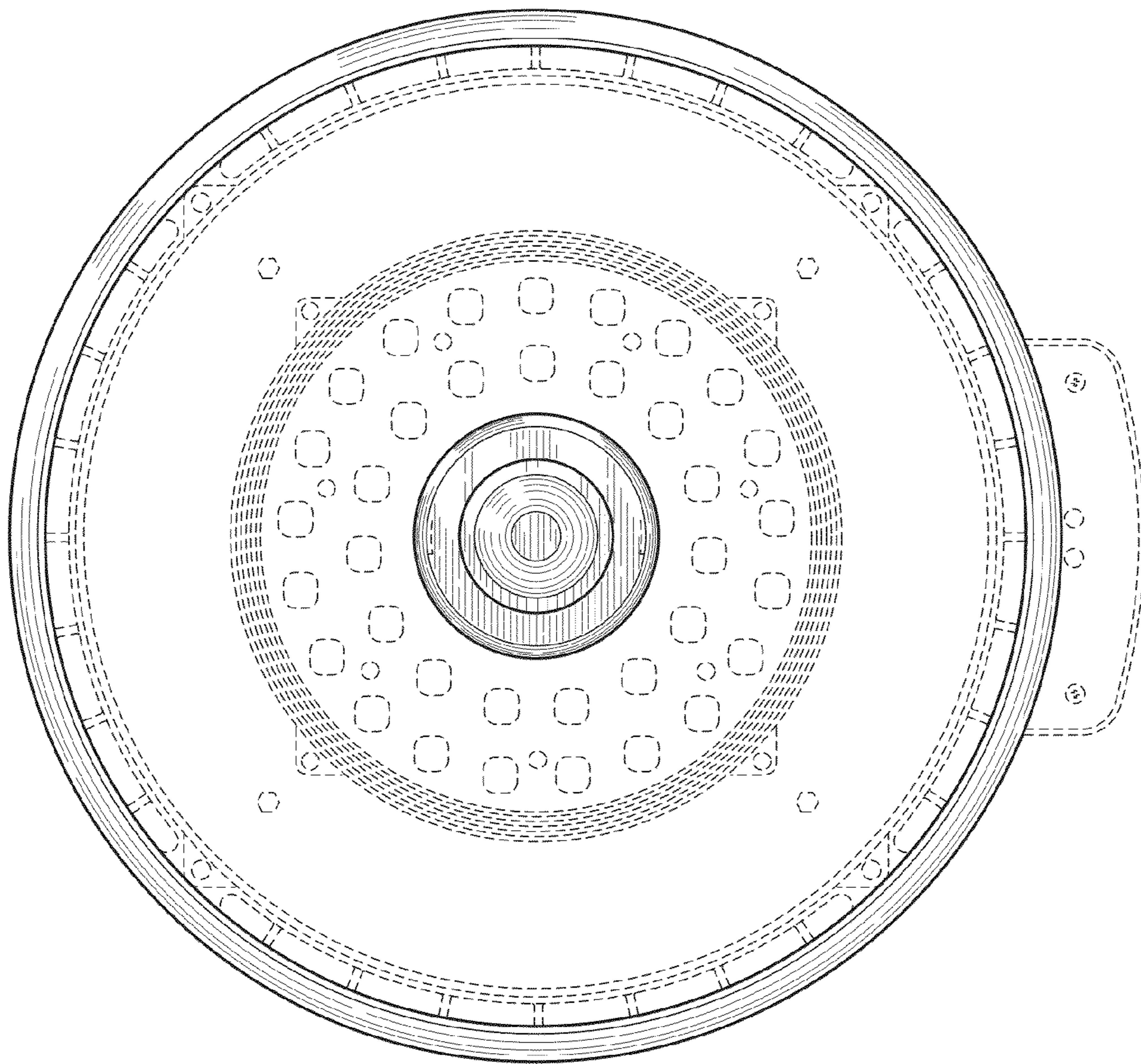


FIG. 16

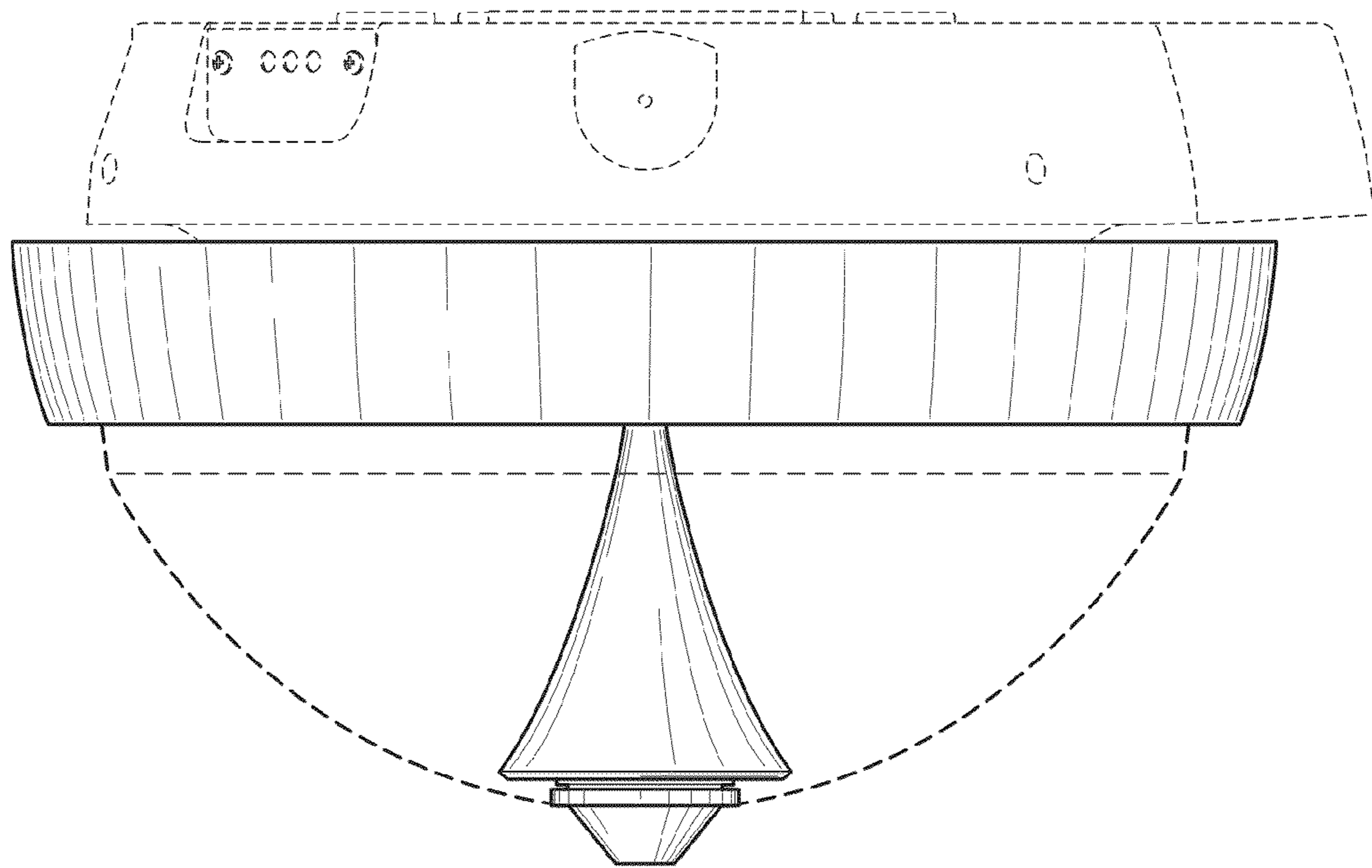


FIG. 17

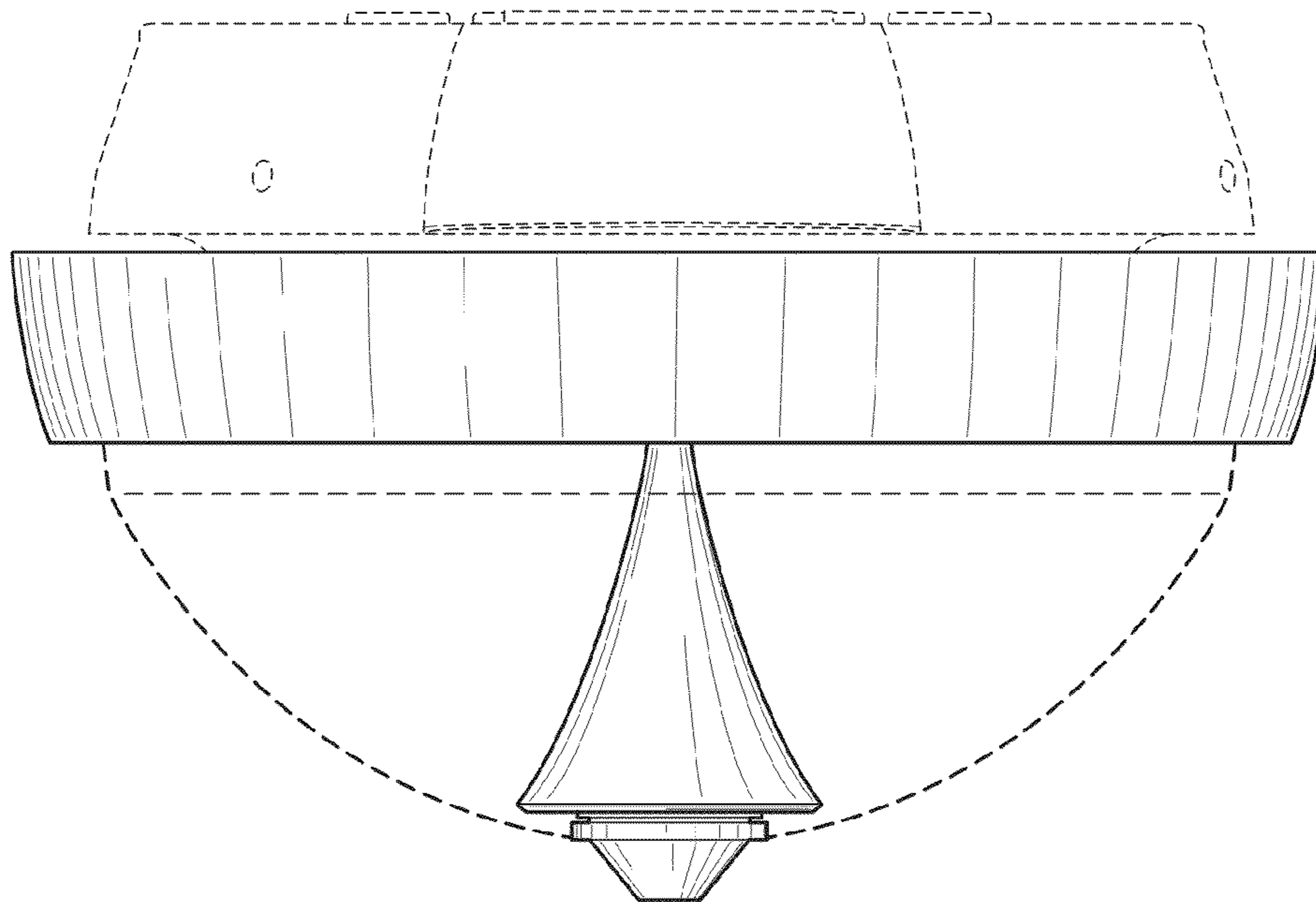


FIG. 18

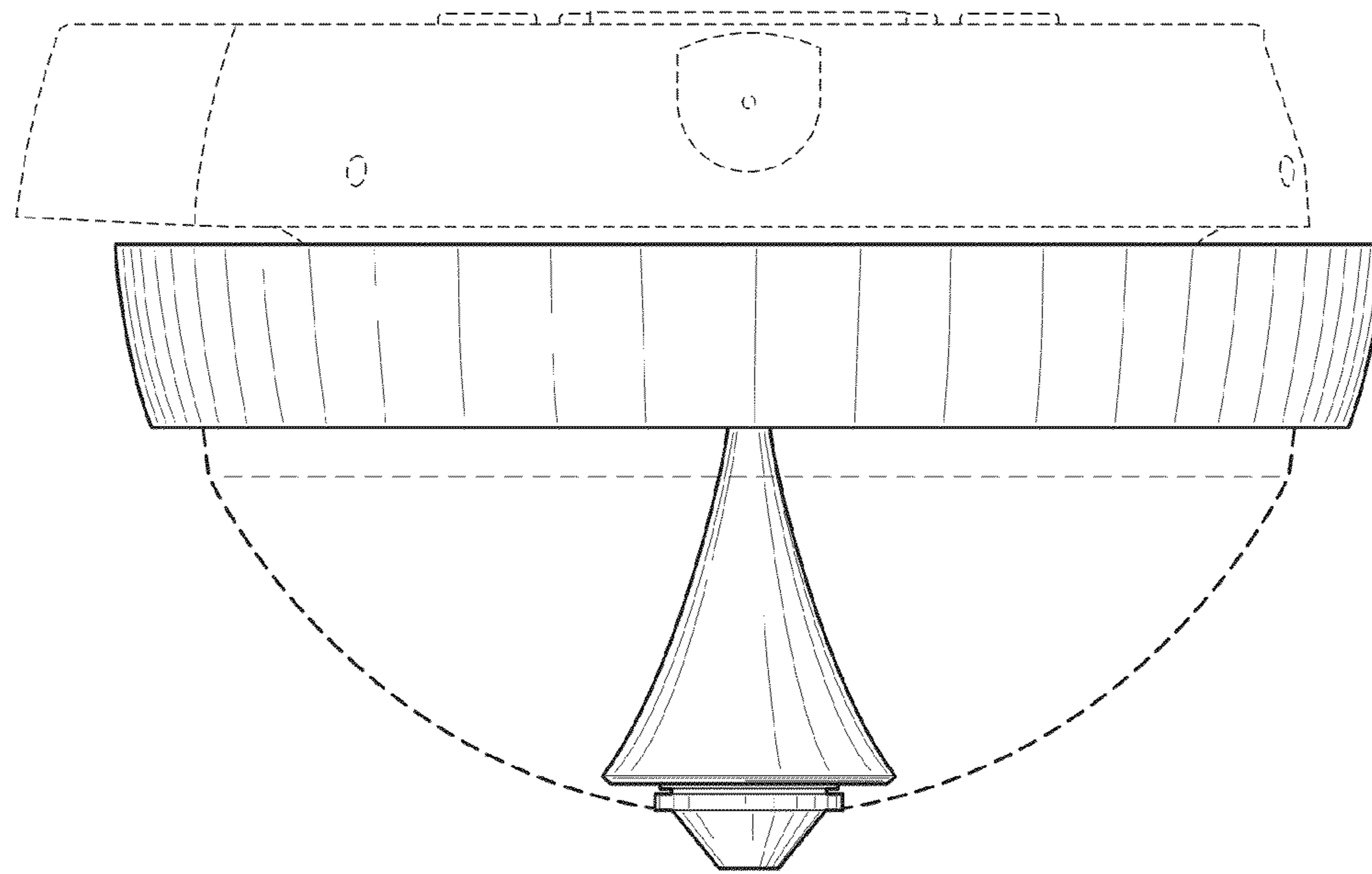


FIG. 19

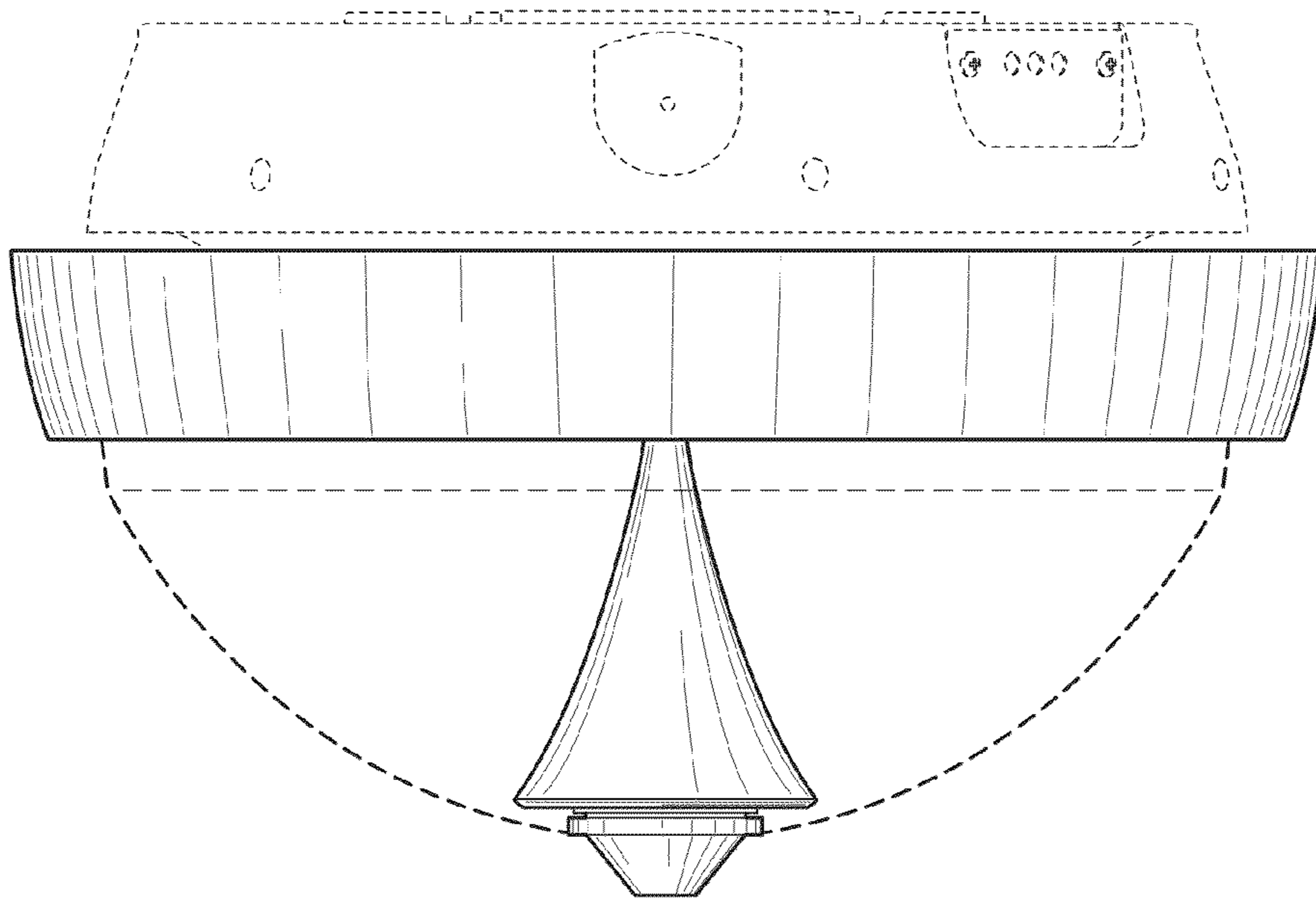


FIG. 20

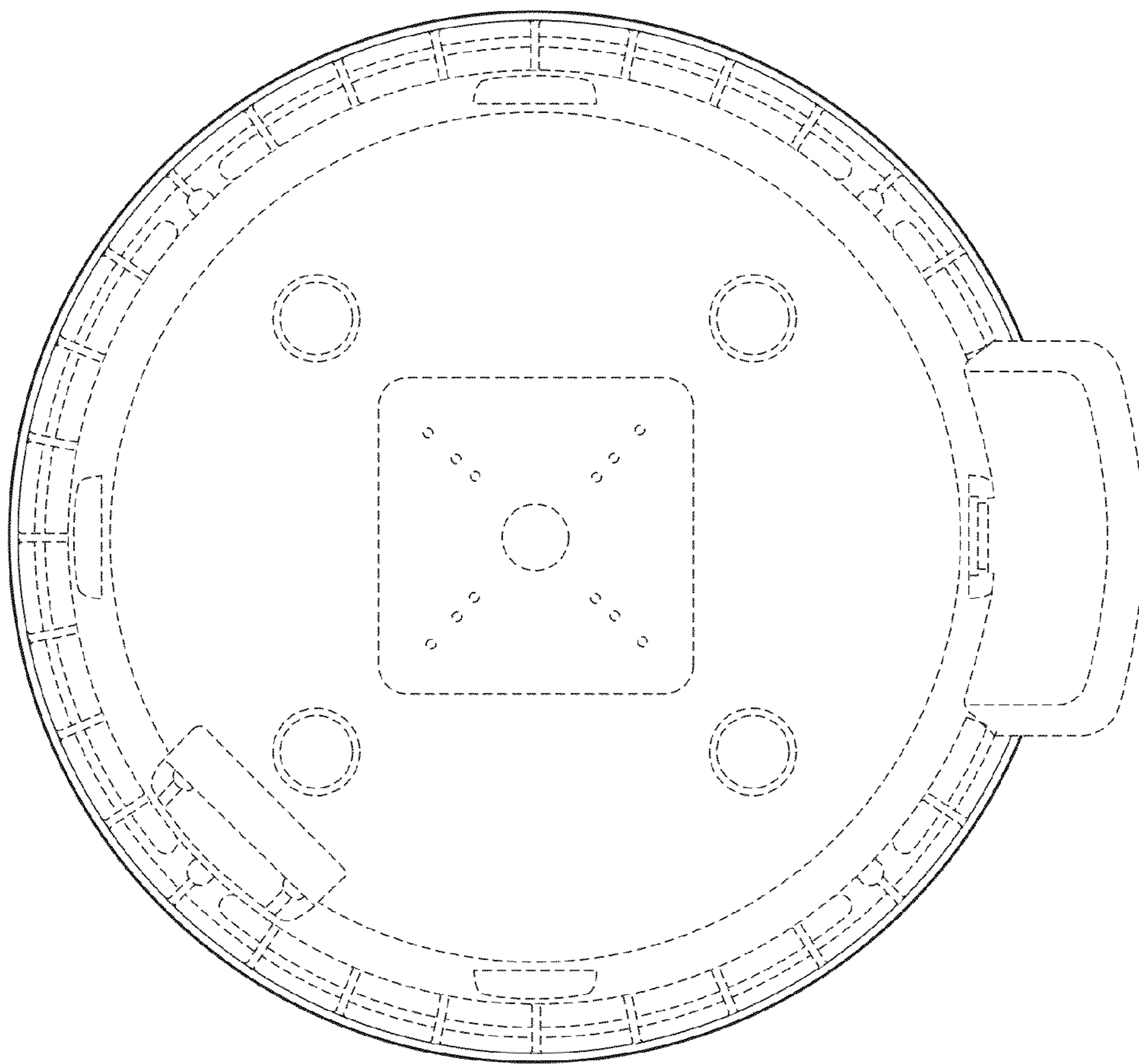


FIG. 21