



US00D743610S

(12) **United States Design Patent**
Inzinger

(10) **Patent No.:** **US D743,610 S**

(45) **Date of Patent:** **** Nov. 17, 2015**

(54) **LAMP**

(71) Applicant: **SOLAMAGIC GMBH,**
Zeulenroda-Triebes (DE)

(72) Inventor: **Marcus Alexander Inzinger,** Warendorf
(DE)

(73) Assignee: **Solamagic GmbH,** Zeulenroda-Triebes
(DE)

(**) Term: **14 Years**

(21) Appl. No.: **29/470,814**

(22) Filed: **Oct. 25, 2013**

(30) **Foreign Application Priority Data**

Apr. 26, 2013 (EP) 002228007

(51) **LOC (10) Cl.** **26-03**

(52) **U.S. Cl.**
USPC **D26/77**

(58) **Field of Classification Search**
USPC D26/3, 24, 35, 39, 42, 71, 72, 75, 76,
D26/78, 79, 80, 81, 82, 83, 85, 88, 90, 118,
D26/119, 120, 121, 122, 138; 362/23.07,
362/23.09, 23.16, 217.01, 217.02, 217.05,
362/217.08, 217.09, 249.02, 260, 311.02,
362/555, 612, 614, 800
CPC F21S 2/00; F21S 4/00; F21S 4/003;
F21S 4/005; F21S 4/006; F21S 4/007; F21S
4/008; F21S 6/00; F21S 8/00; F21S 8/024;
F21S 8/026; F21S 8/031; F21S 8/033; F21S
8/035-8/037; F21S 8/04; F21S 8/043; F21S
8/063

See application file for complete search history.

(56) **References Cited**

U.S. PATENT DOCUMENTS

2,606,998	A *	8/1952	Wyman et al.	362/220
D452,579	S *	12/2001	Shemitz et al.	D26/76
D481,820	S *	11/2003	Watt	D26/77
D577,455	S *	9/2008	Zheng et al.	D26/71
D607,598	S *	1/2010	Xiao et al.	D26/80
D607,599	S *	1/2010	Zhou et al.	D26/80
D642,326	S *	7/2011	Leadford et al.	D26/138
D698,074	S *	1/2014	Hargreaves	D26/138
D699,881	S *	2/2014	Mollaghaffari	D26/75
D706,485	S *	6/2014	Waldmann	D26/138
D710,528	S *	8/2014	Wardenburg et al.	D26/75
D710,535	S *	8/2014	Edwards et al.	D26/122
2013/0021792	A1 *	1/2013	Snell et al.	362/218

* cited by examiner

Primary Examiner — George D Kirschbaum

Assistant Examiner — Natasha Vujcic

(74) *Attorney, Agent, or Firm* — Michael J. Striker

(57) **CLAIM**

The ornamental design for a lamp, as shown and described.

DESCRIPTION

FIG. 1 is a top ¾ perspective view of a lamp showing my new design;

FIG. 2 is a bottom ¾ perspective view thereof;

FIG. 3 is a front elevation view thereof;

FIG. 4 is a rear elevation view thereof;

FIG. 5 is a left side elevation view thereof;

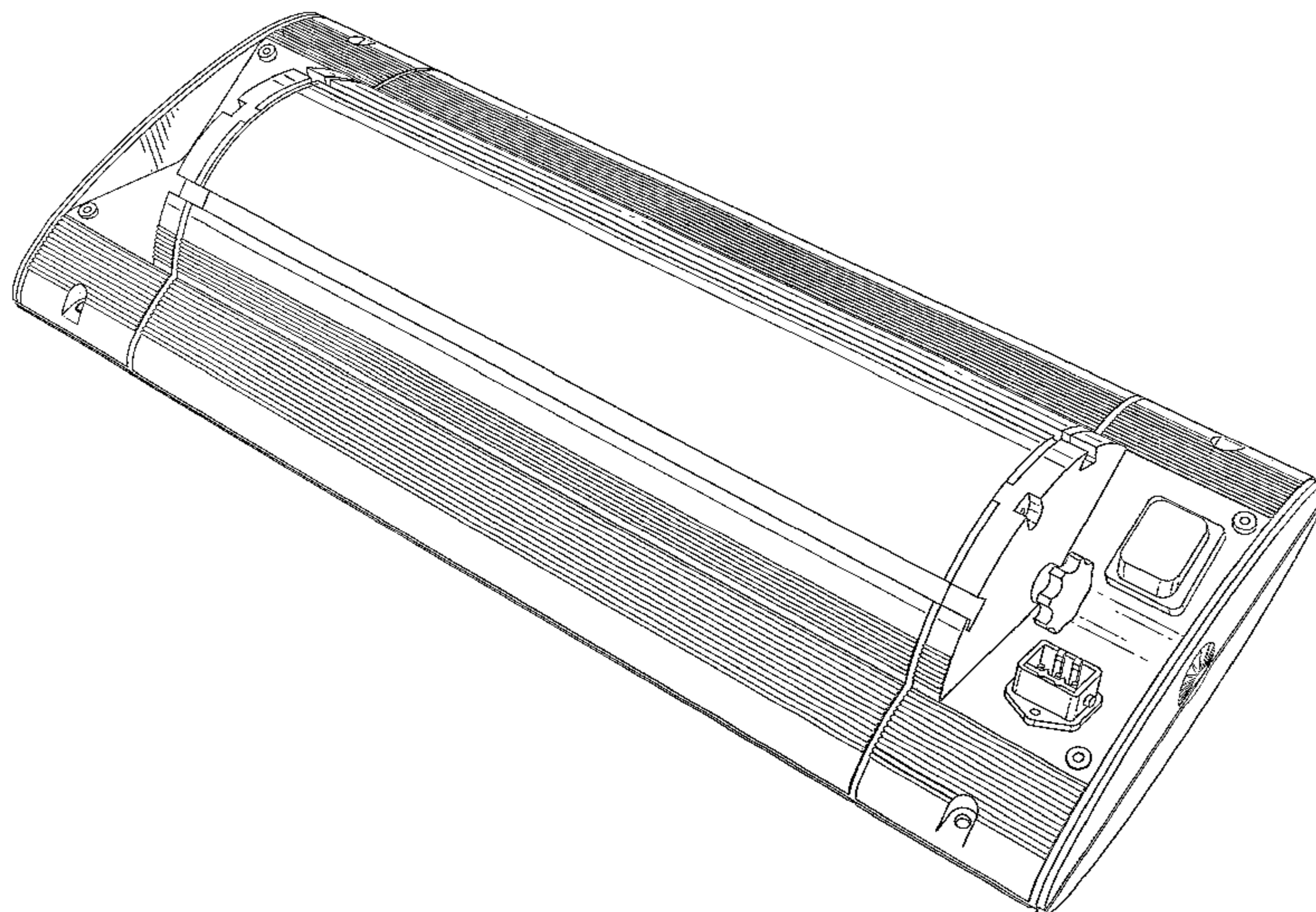
FIG. 6 is a right side elevation view thereof;

FIG. 7 is a top plan view thereof; and,

FIG. 8 is a bottom plan view thereof.

The broken lines in the drawings illustrate portions of the lamp and for no part of the claimed design.

1 Claim, 6 Drawing Sheets



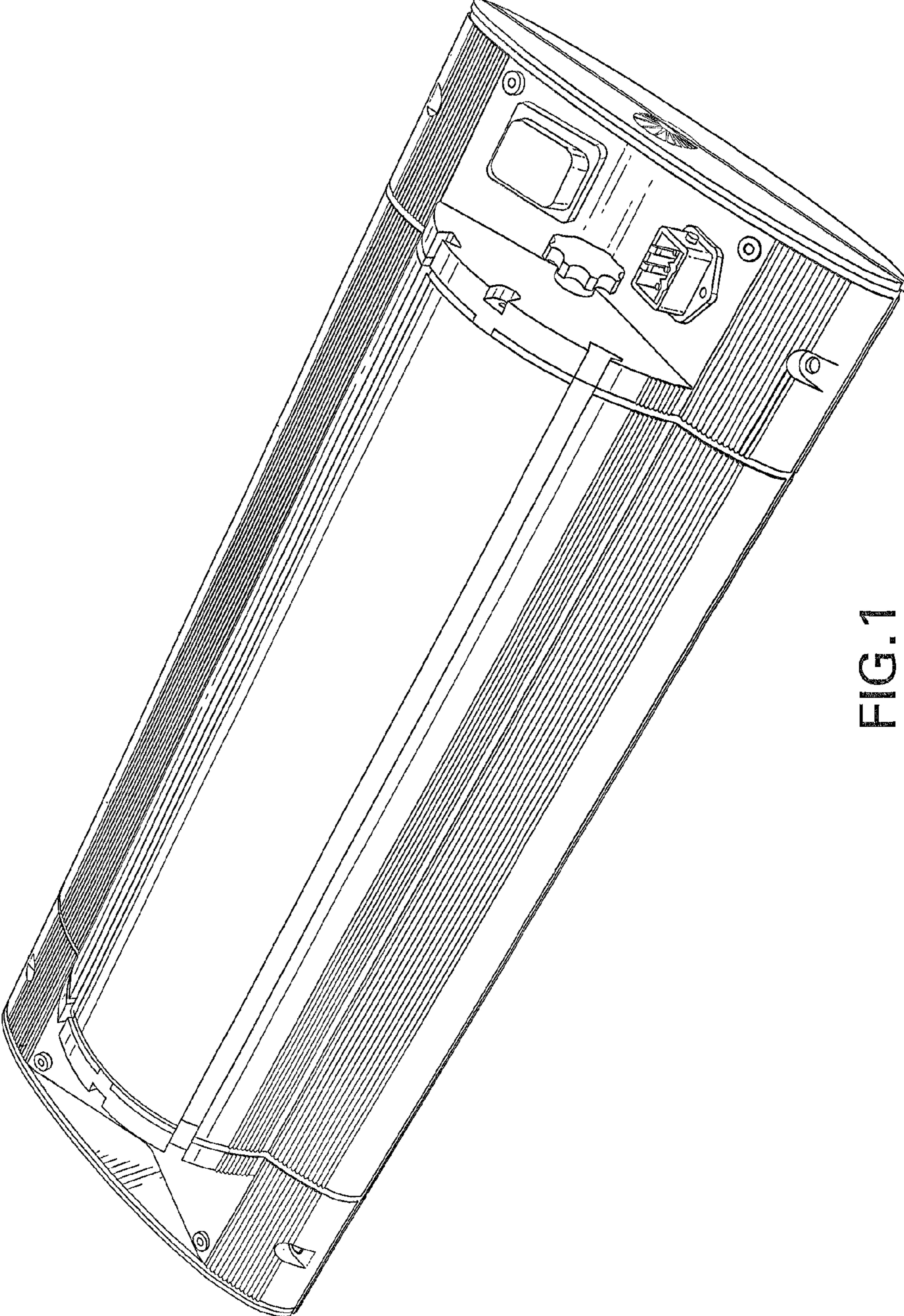


FIG.1

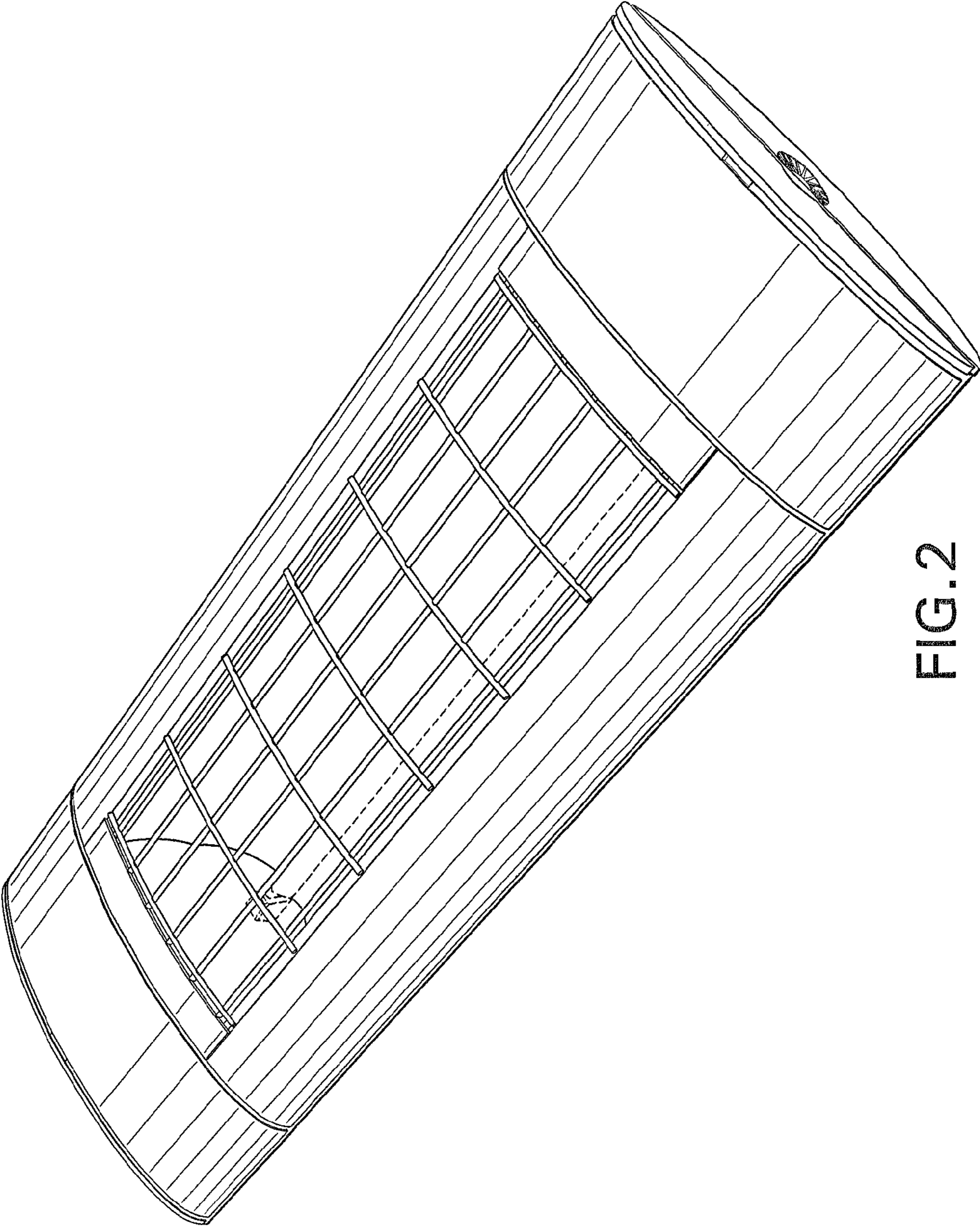


FIG. 2

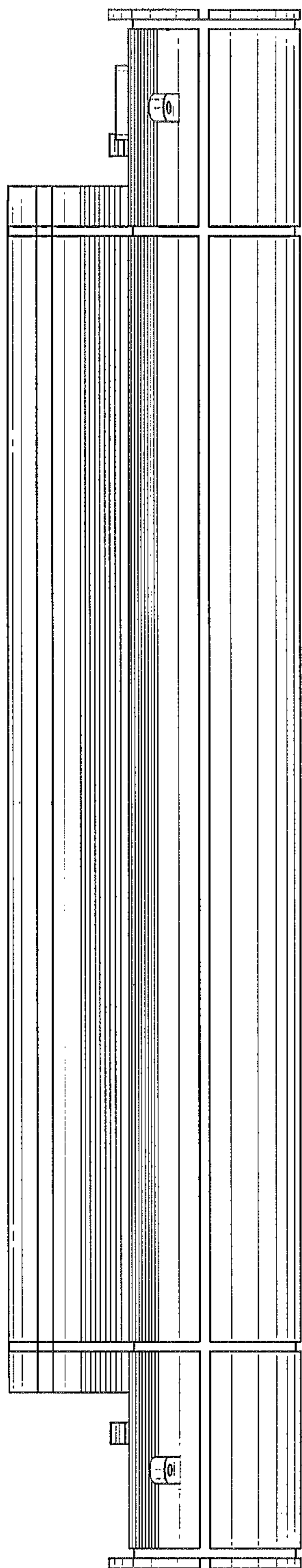


FIG. 3

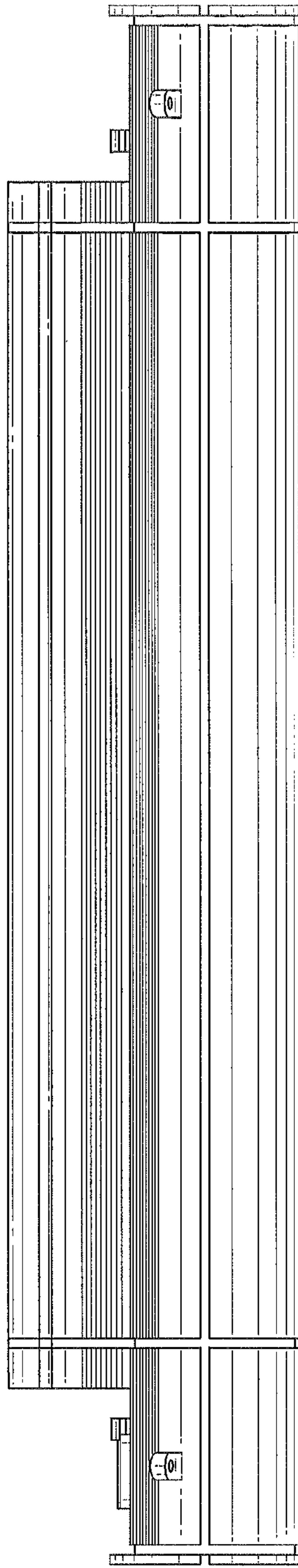


FIG. 4

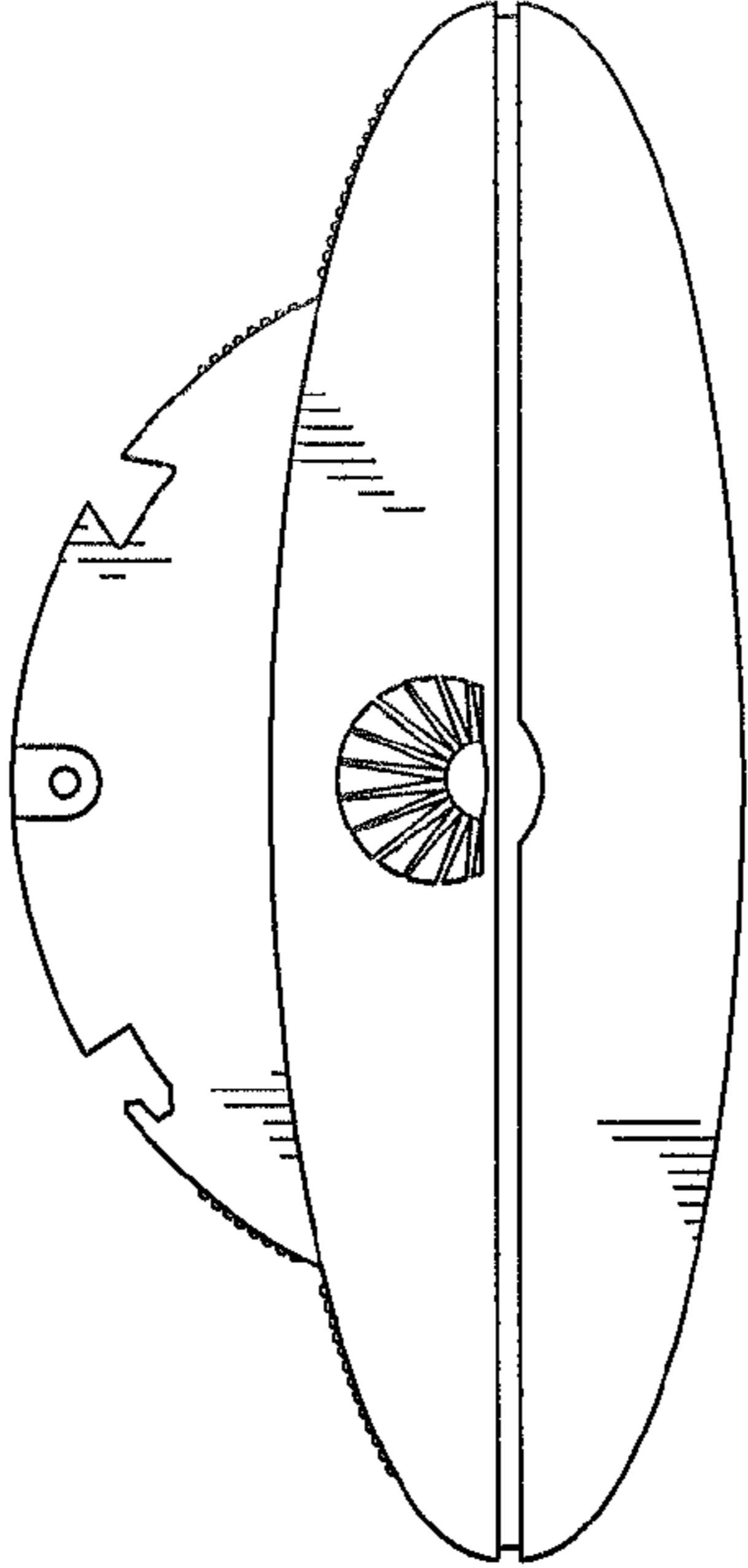


FIG. 5

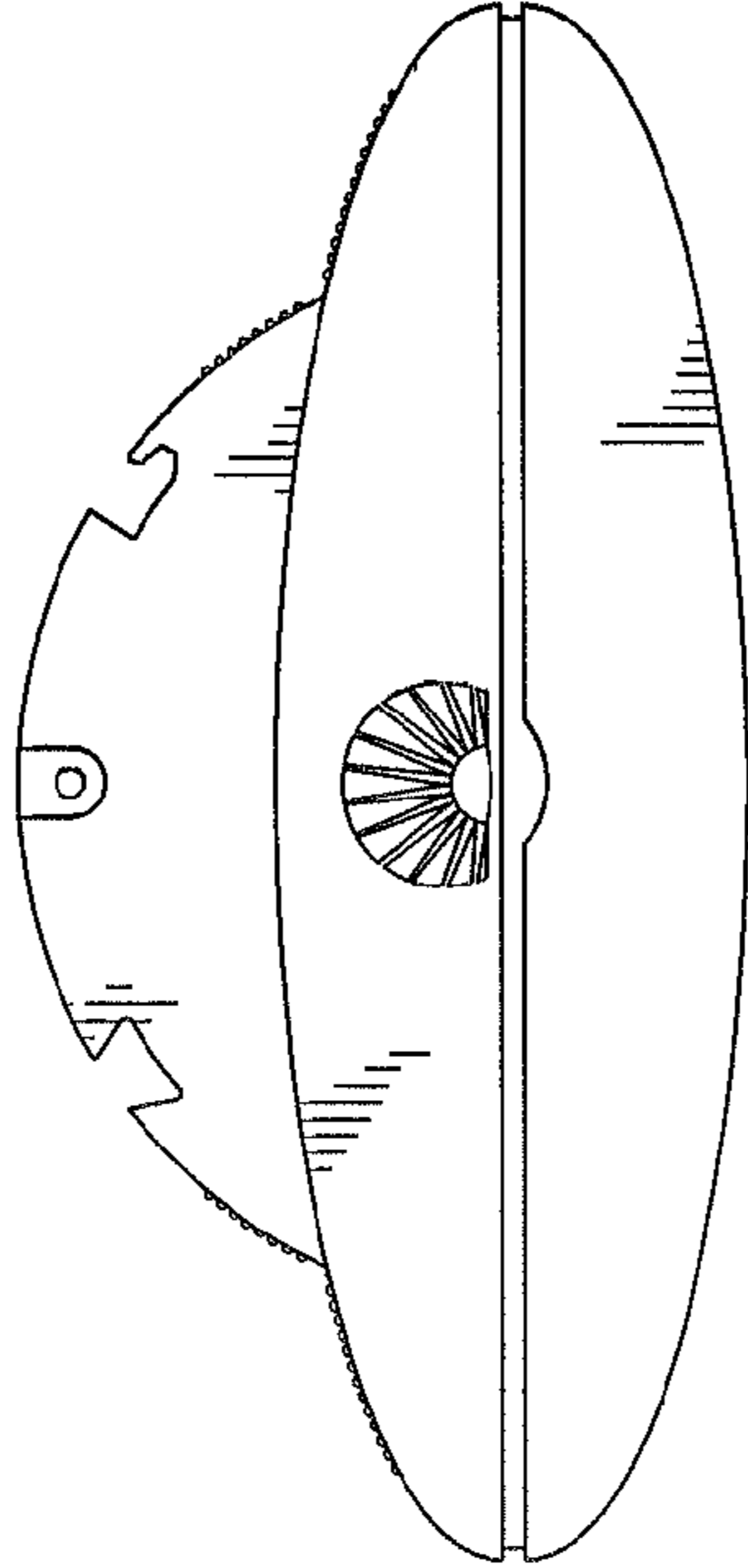


FIG. 6

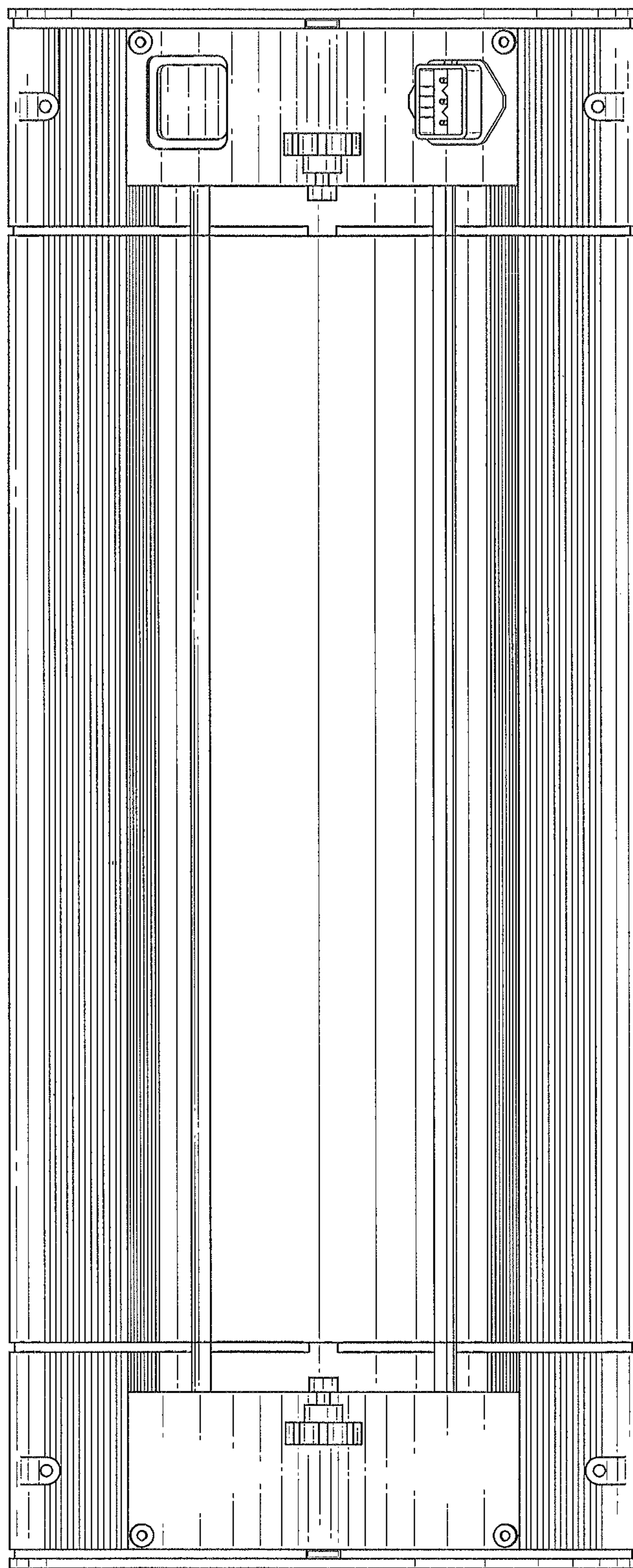


FIG. 7

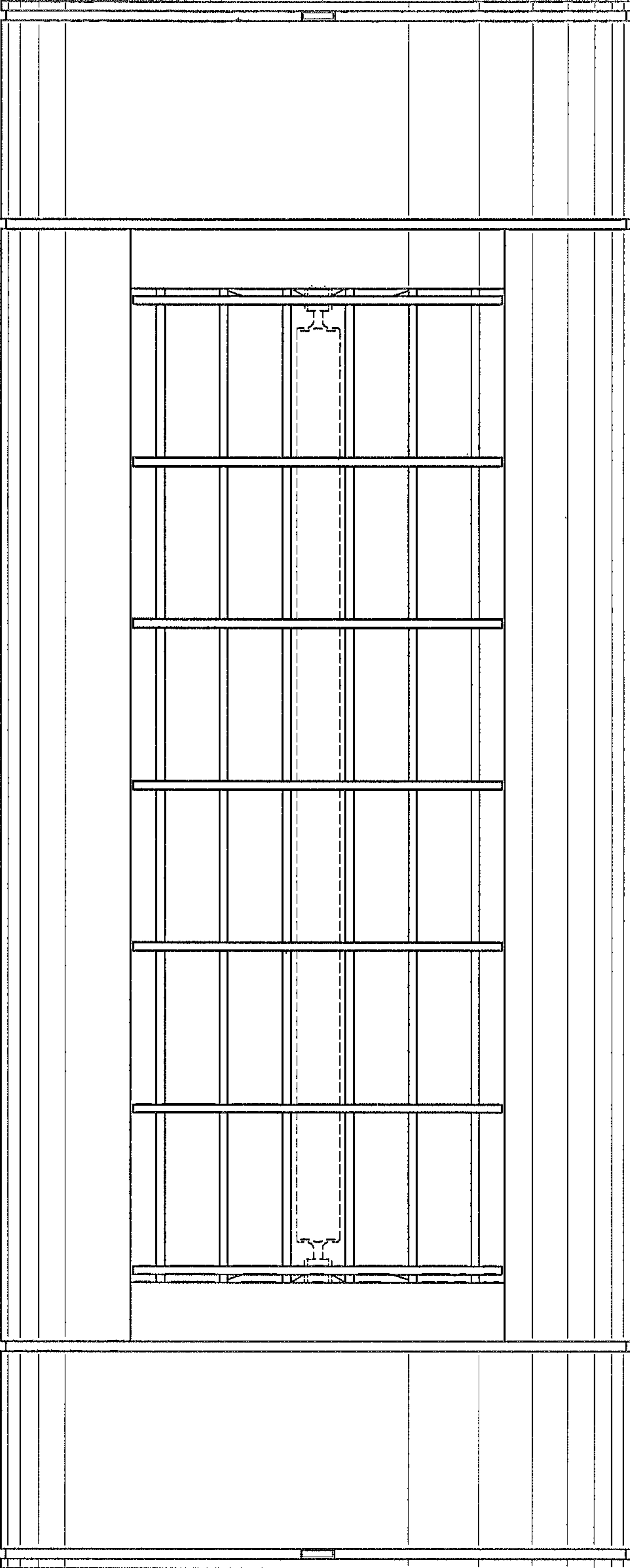


FIG. 8