

US00D743609S

(12) **United States Design Patent**  
**Verelst**

(10) **Patent No.:** **US D743,609 S**

(45) **Date of Patent:** **\*\* Nov. 17, 2015**

(54) **LAMP**

(71) Applicant: **KONINKLIJKE PHILIPS N.V.**,  
Eindhoven (NL)

(72) Inventor: **Dirk Maria Karel Rosalia Verelst**,  
Boechout (BE)

(73) Assignee: **KONINKLIJKE PHILIPS N.V.**,  
Eindhoven (NL)

(\*\*) Term: **14 Years**

(21) Appl. No.: **29/503,165**

(22) Filed: **Sep. 24, 2014**

(30) **Foreign Application Priority Data**

Mar. 24, 2014 (EM) ..... 002430611-0005

(51) **LOC (10) Cl.** ..... **26-05**

(52) **U.S. Cl.**  
USPC ..... **D26/71; D26/68**

(58) **Field of Classification Search**  
USPC ..... D26/67-72, 92  
CPC ..... F21S 8/08; F21S 8/085; F21S 8/086;  
F21S 8/088; F21S 8/081; F21S 8/083; F21V  
21/13; F21V 19/04

See application file for complete search history.

(56) **References Cited**

U.S. PATENT DOCUMENTS

D231,680	S	*	5/1974	Keller	.....	D26/68
D239,860	S	*	5/1976	Scarpa	.....	D26/68
D600,847	S	*	9/2009	Wung et al.	.....	D26/71
D620,170	S	*	7/2010	Schwartz et al.	.....	D26/71
D620,171	S	*	7/2010	Pauschitz	.....	D26/71
D626,266	S	*	10/2010	Verelst	.....	D26/71
D643,139	S	*	8/2011	Sprengers	.....	D26/68
D657,485	S	*	4/2012	Kong et al.	.....	D26/71
8,752,982	B2	*	6/2014	Ng	.....	362/249.02
D711,033	S	*	8/2014	Choi	.....	D26/71
D711,034	S	*	8/2014	Sturgis et al.	.....	D26/71
D732,222	S	*	6/2015	Recker et al.	.....	D26/68
2007/0029459	A1	*	2/2007	Hanson	.....	248/530

\* cited by examiner

*Primary Examiner* — Clare E Heflin

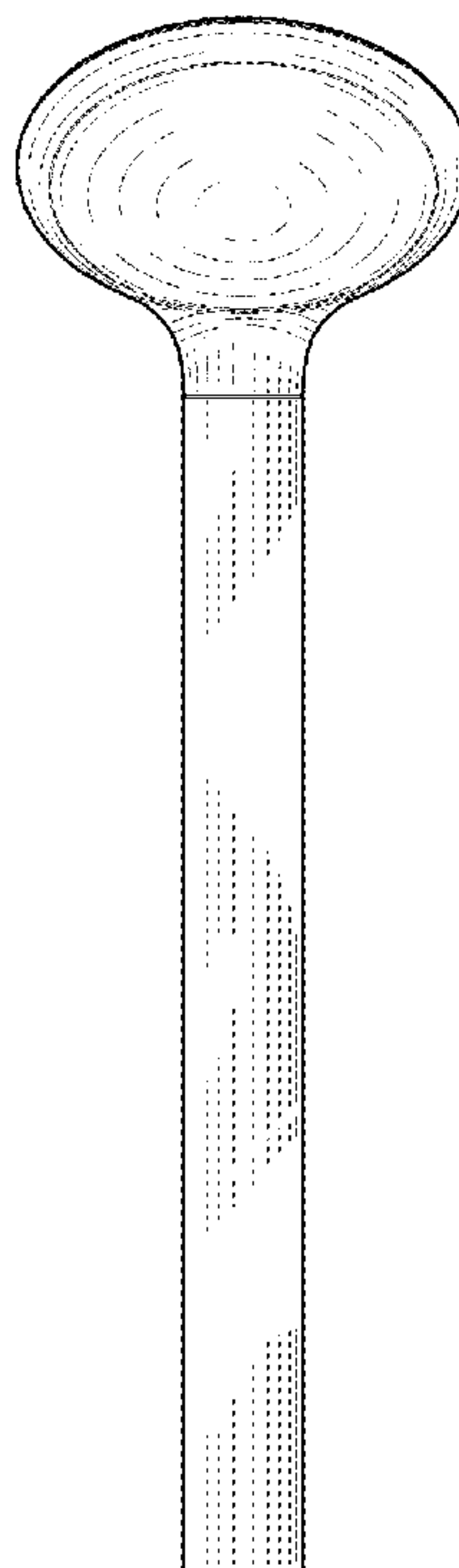
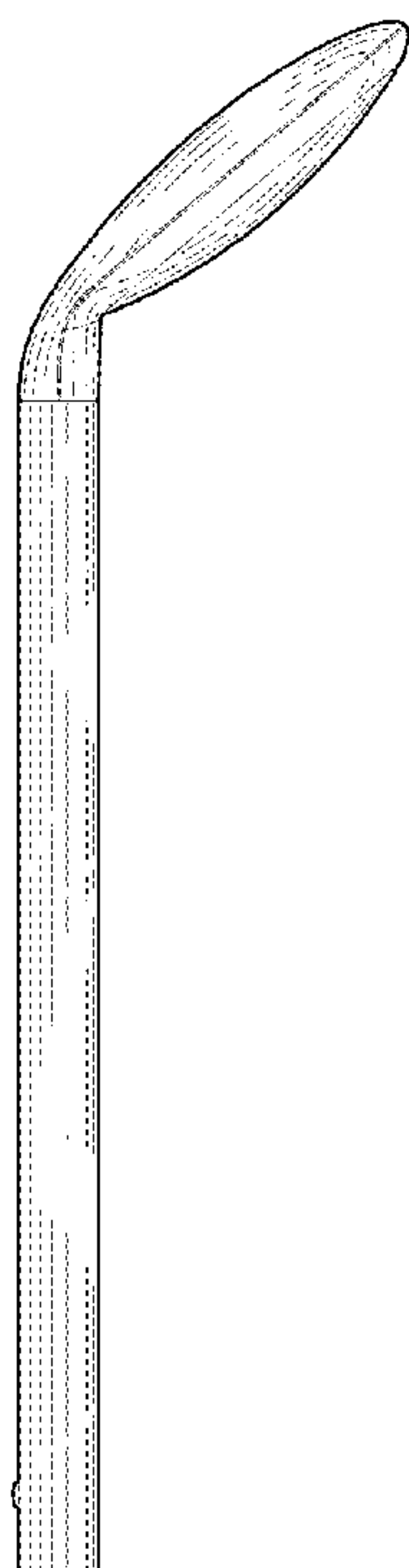
(57) **CLAIM**

The ornamental design for a lamp, as shown.

**DESCRIPTION**

FIG. 1 is a perspective view showing my design;  
FIG. 2 is a front elevational view thereof;  
FIG. 3 is a rear elevational view thereof;  
FIG. 4 is a right side elevational view thereof;  
FIG. 5 is a left side elevational view thereof;  
FIG. 6 is a top plan view thereof; and,  
FIG. 7 is a bottom plan view thereof.

**1 Claim, 4 Drawing Sheets**



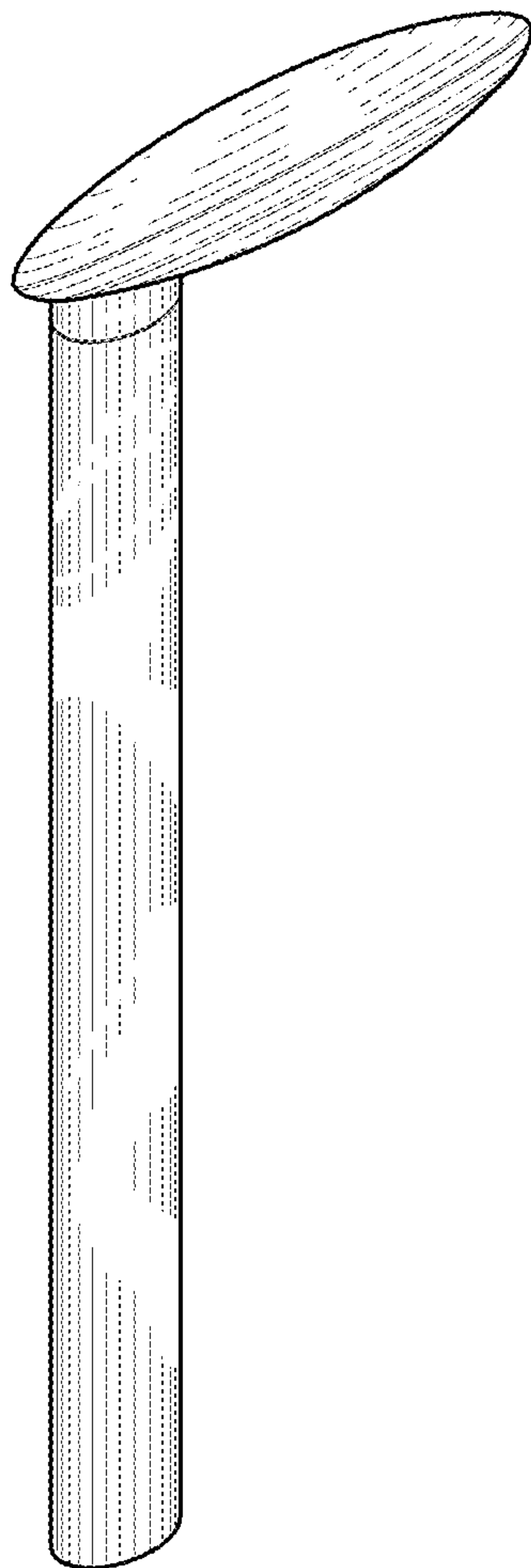


FIG.1

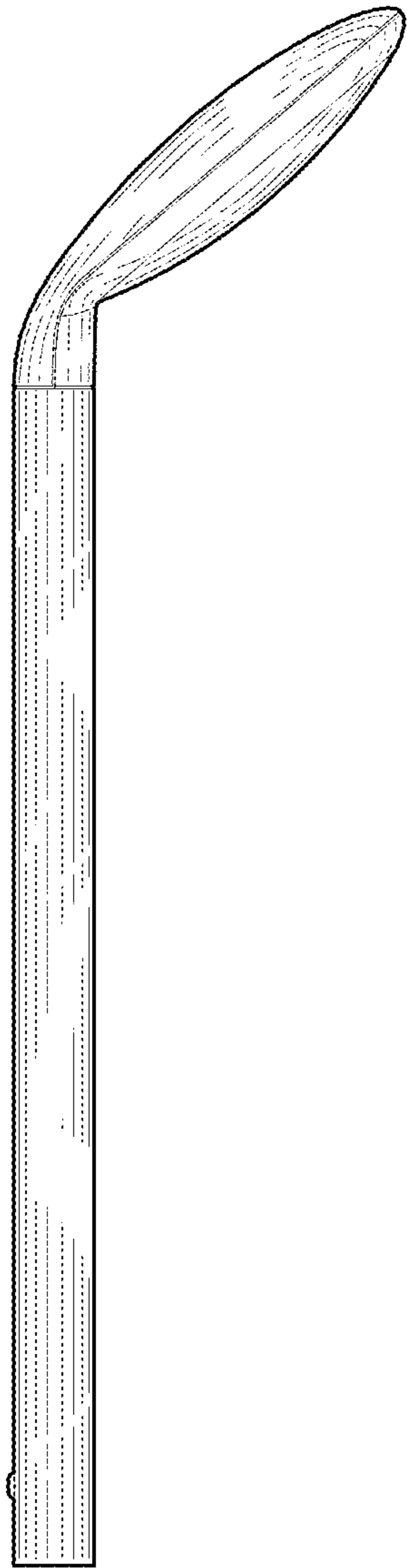


FIG. 2



FIG. 3

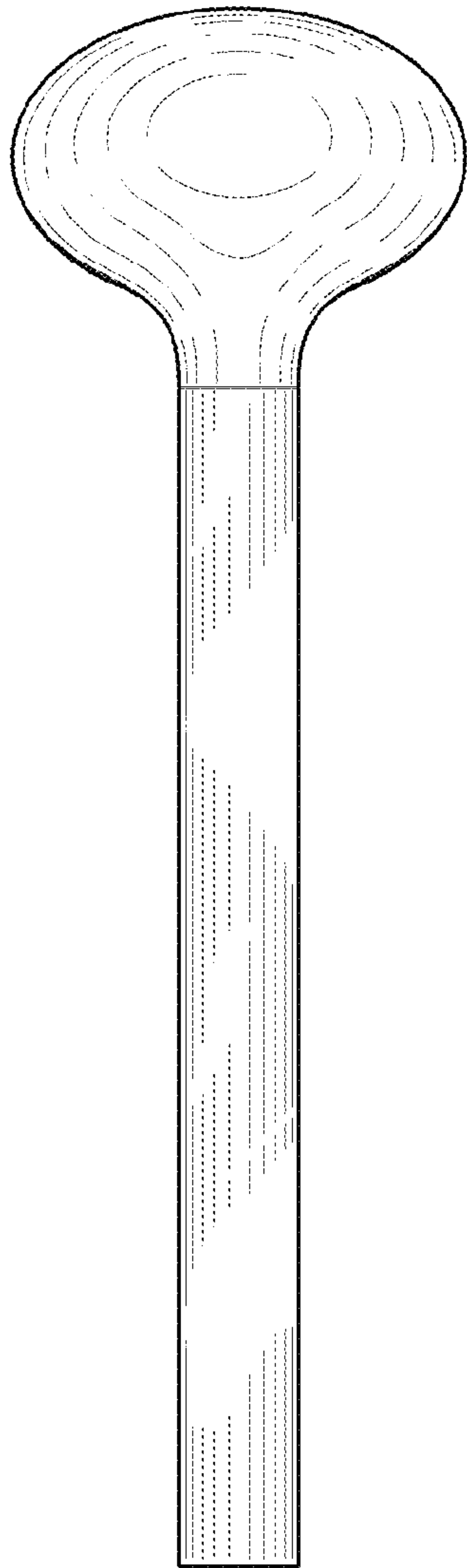


FIG. 4

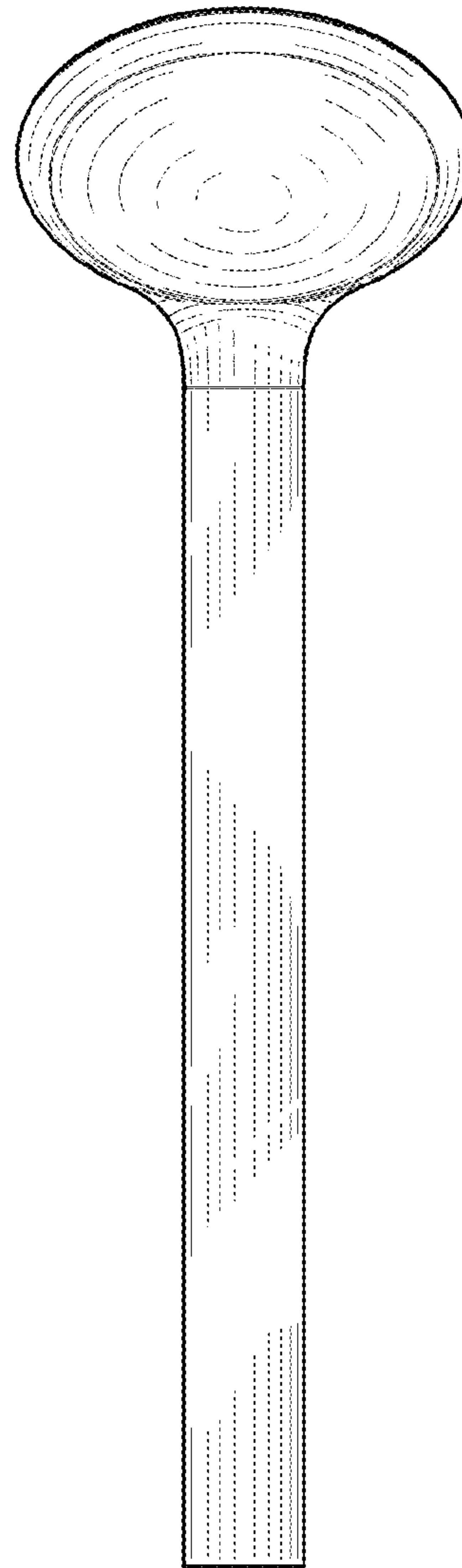


FIG. 5

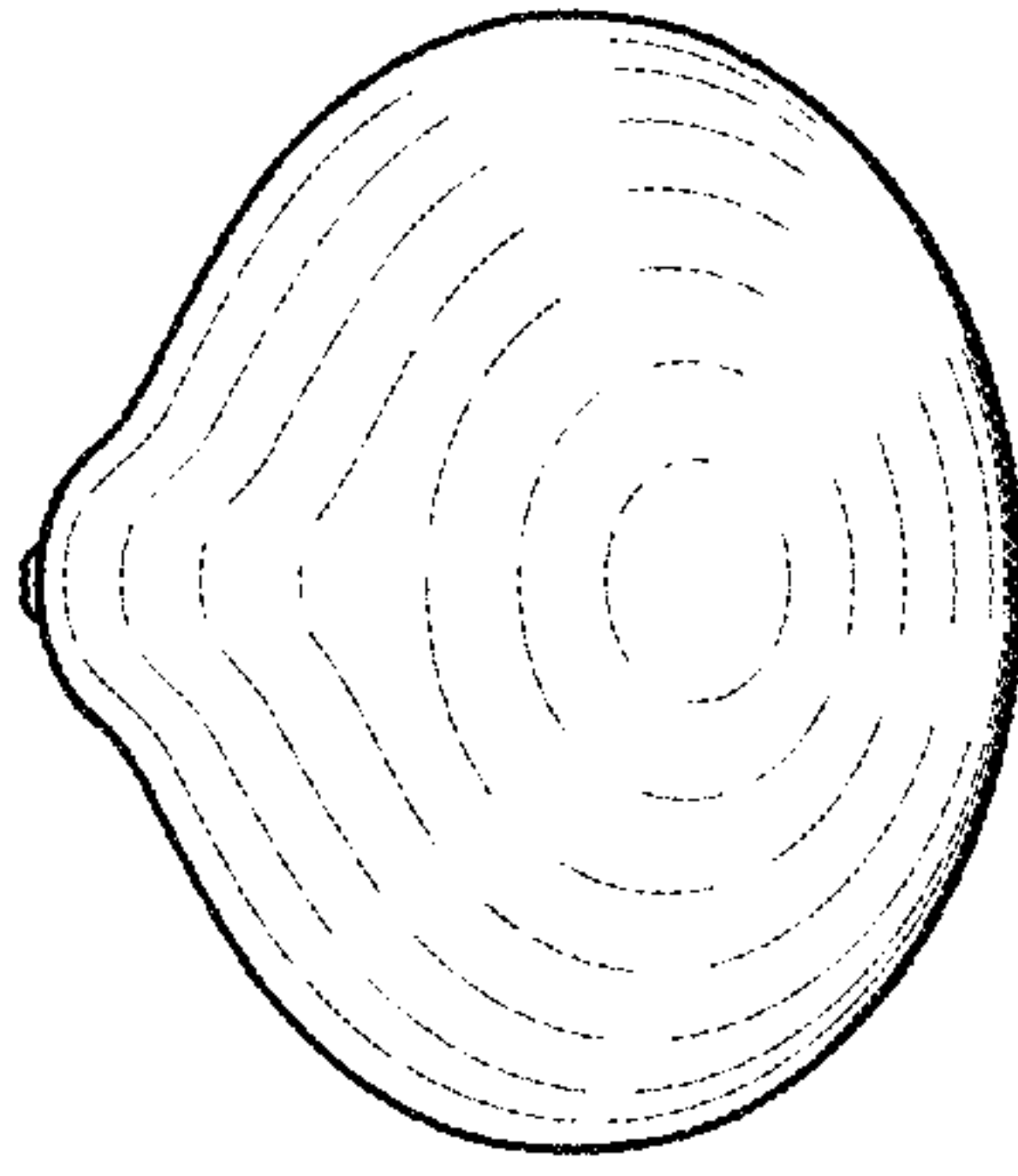


FIG. 6

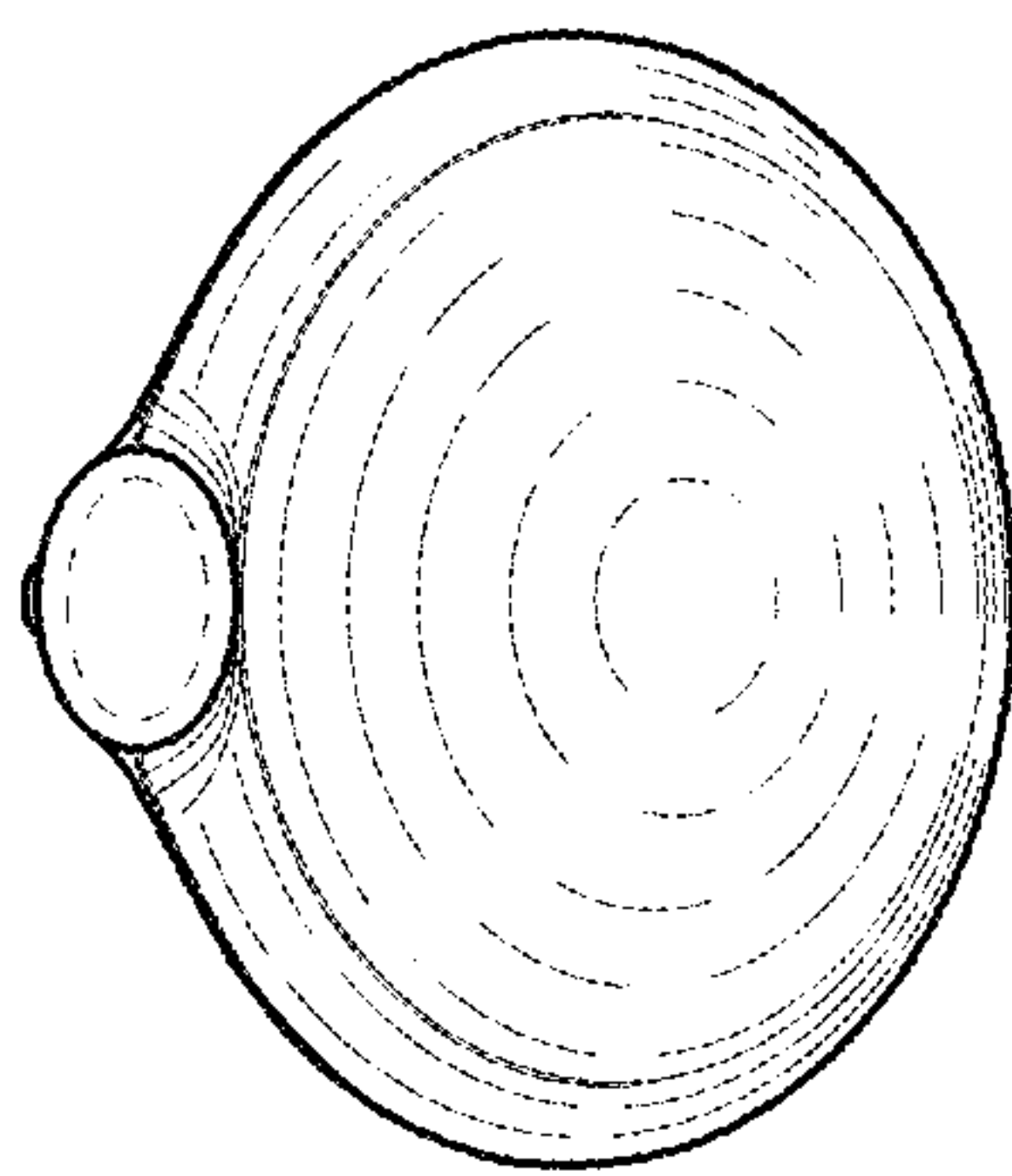


FIG. 7