



US00D743606S

(12) **United States Design Patent**
Cariboni

(10) **Patent No.:** **US D743,606 S**

(45) **Date of Patent:** **** Nov. 17, 2015**

(54) **PUBLIC LIGHTING FIXTURE**
(71) Applicant: **ENEL SOLE S.r.l.**, Rome (IT)
(72) Inventor: **Dante Cariboni**, Osnago (IT)
(73) Assignee: **ENEL SOLE S.r.l.**, Rome (IT)
(**) Term: **14 Years**
(21) Appl. No.: **29/489,722**

D708,774 S * 7/2014 Hermansen et al. D26/71
D709,635 S * 7/2014 Coulbeaut D26/71
D726,947 S * 4/2015 Boyer et al. D26/71
9,052,073 B2 * 6/2015 Wang et al. 1/1

(22) Filed: **May 2, 2014**

FOREIGN PATENT DOCUMENTS

(30) **Foreign Application Priority Data**

WO DM073702 7/2010
WO DM077771 3/2012
WO 2013111171 A1 8/2013
WO DM082069 11/2013

Nov. 4, 2013 (WO) DM/082167

* cited by examiner

Primary Examiner — Clare E Heflin

(51) **LOC (10) Cl.** **26-05**

(74) *Attorney, Agent, or Firm* — Thomas|Horstemeyer, LLP

(52) **U.S. Cl.**
USPC **D26/71**

(57) **CLAIM**

The ornamental design for a public lighting fixture, as shown and described.

(58) **Field of Classification Search**
USPC D26/67–72, 92
CPC F21S 8/08; F21S 8/085; F21S 8/086;
F21S 8/088; F21V 21/13; F21V 19/04
See application file for complete search history.

DESCRIPTION

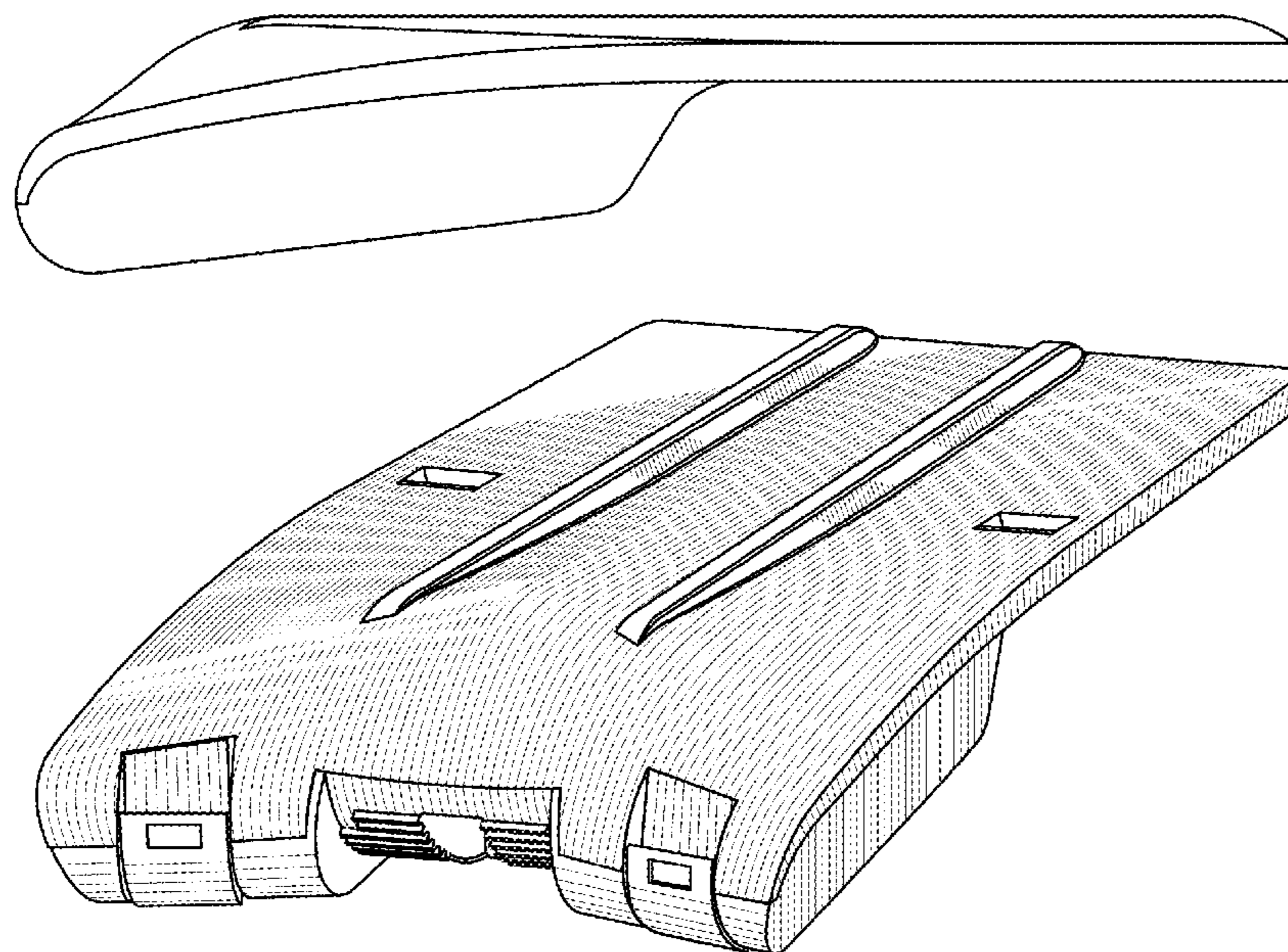
(56) **References Cited**

U.S. PATENT DOCUMENTS

D637,336 S * 5/2011 Van Klinken et al. D26/71
D645,190 S * 9/2011 Van Klinken et al. D26/71
D664,697 S * 7/2012 Piano D26/71
D675,768 S * 2/2013 Jurdana et al. D26/71
D676,589 S * 2/2013 Elam D26/71
8,485,684 B2 * 7/2013 Lou et al. 362/217.05
8,517,575 B2 * 8/2013 Arai 362/373
D694,449 S * 11/2013 Walker et al. D26/63
D699,383 S * 2/2014 Coulbeaut D26/71

FIG. 1 is a top plan view of my new public lighting fixture; FIG. 2 is a bottom plan view of my new public lighting fixture of FIG. 1; FIG. 3 is a left side elevational view of my new public lighting fixture of FIG. 1; FIG. 4 is a right side elevational view of my new public lighting fixture from a side opposite that of FIG. 3; FIG. 5 is an end elevational view of my new public lighting fixture of FIG. 1; FIG. 6 is an end elevational view of my new public lighting fixture from an end opposite that of FIG. 5; FIG. 7 is a perspective view of FIG. 6 of my new public lighting fixture; and, FIG. 8 is a perspective view of FIG. 5 of my new public lighting fixture, opposite that of FIG. 7.

1 Claim, 6 Drawing Sheets



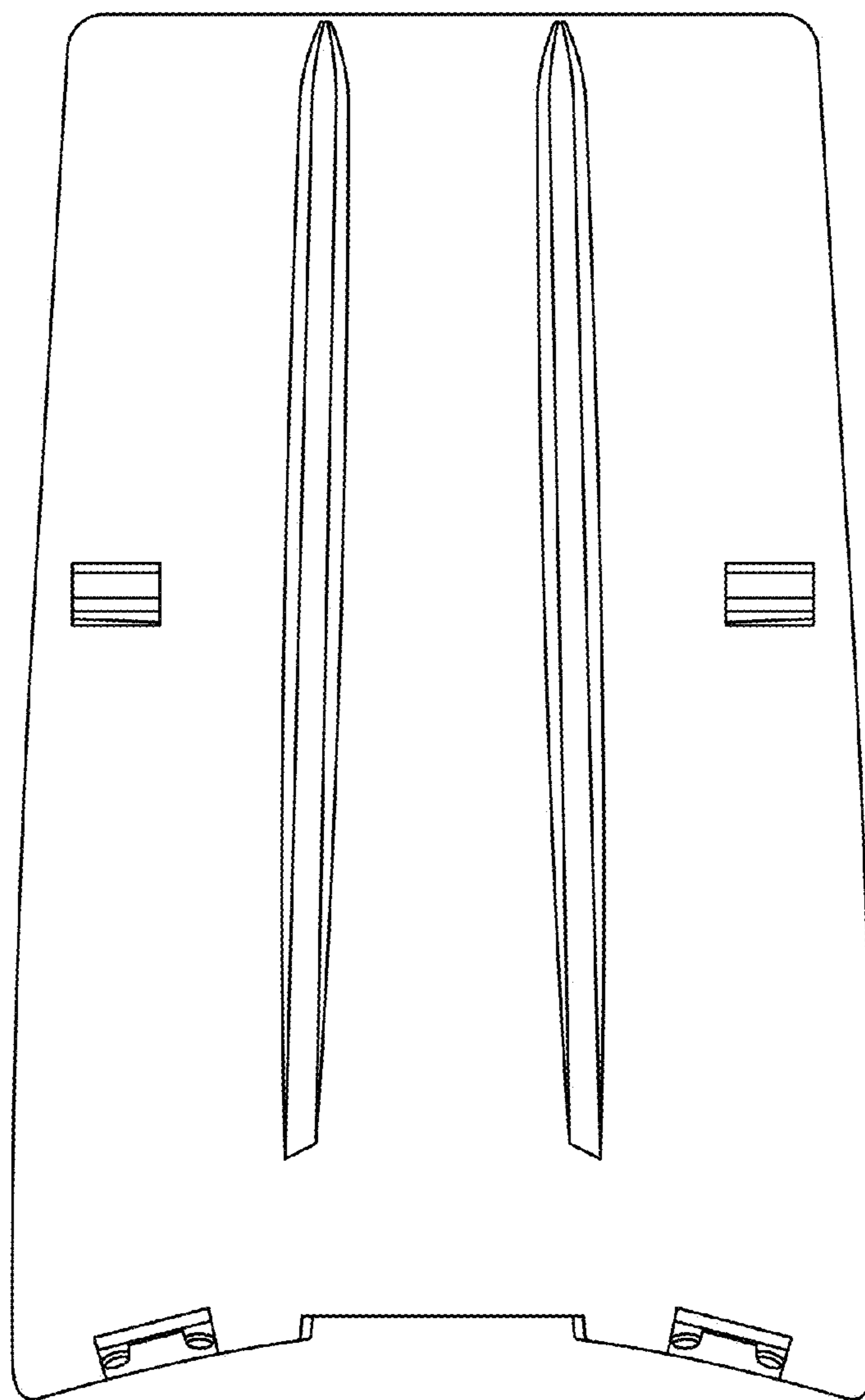


FIG. 1

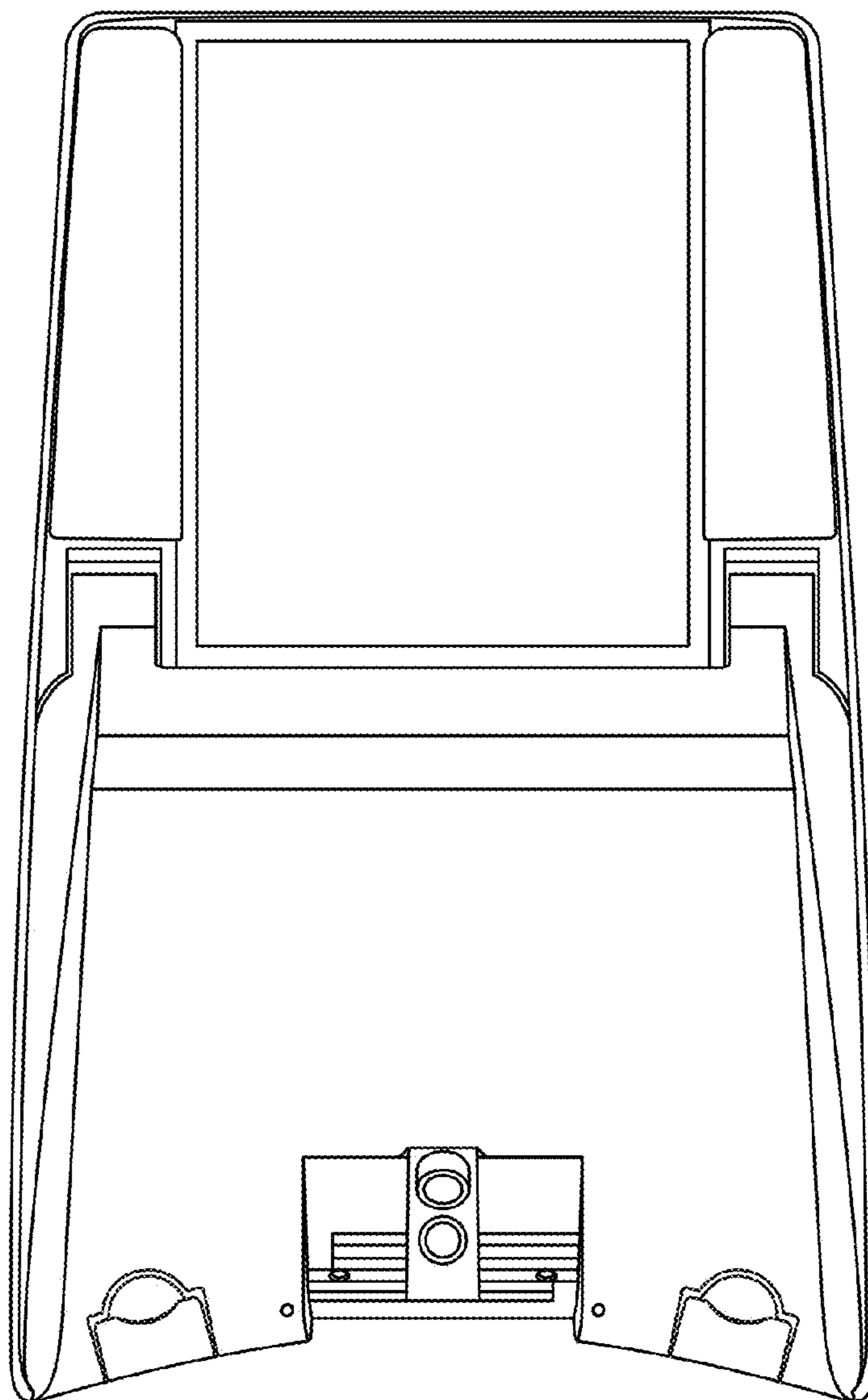


FIG. 2

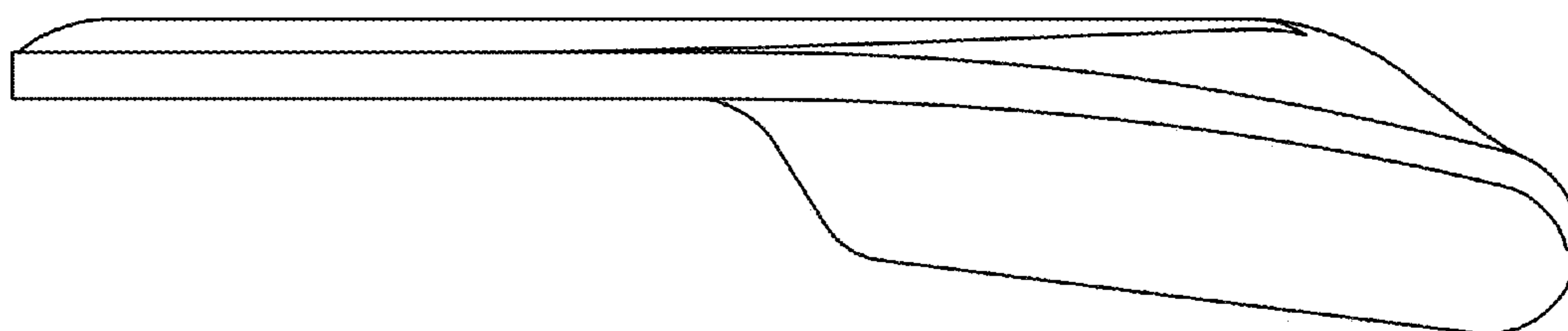


FIG. 3

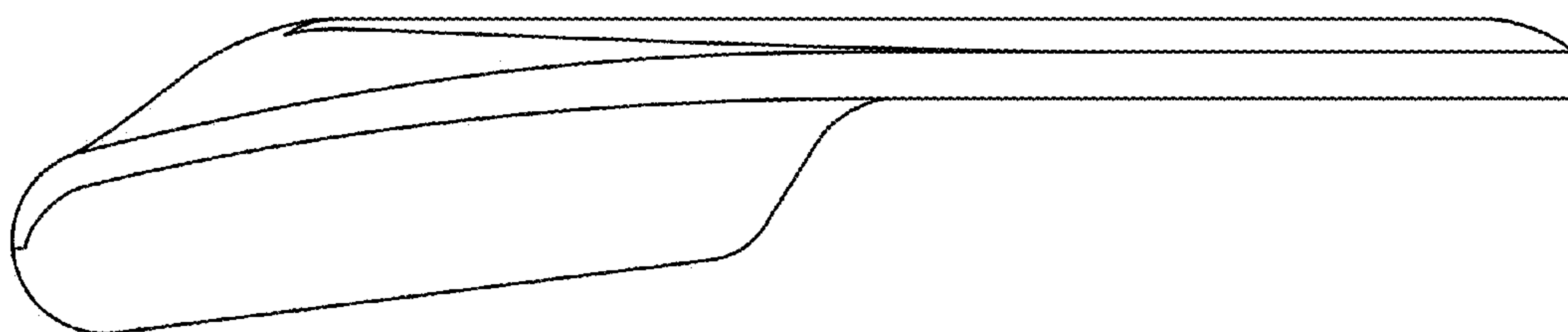


FIG. 4

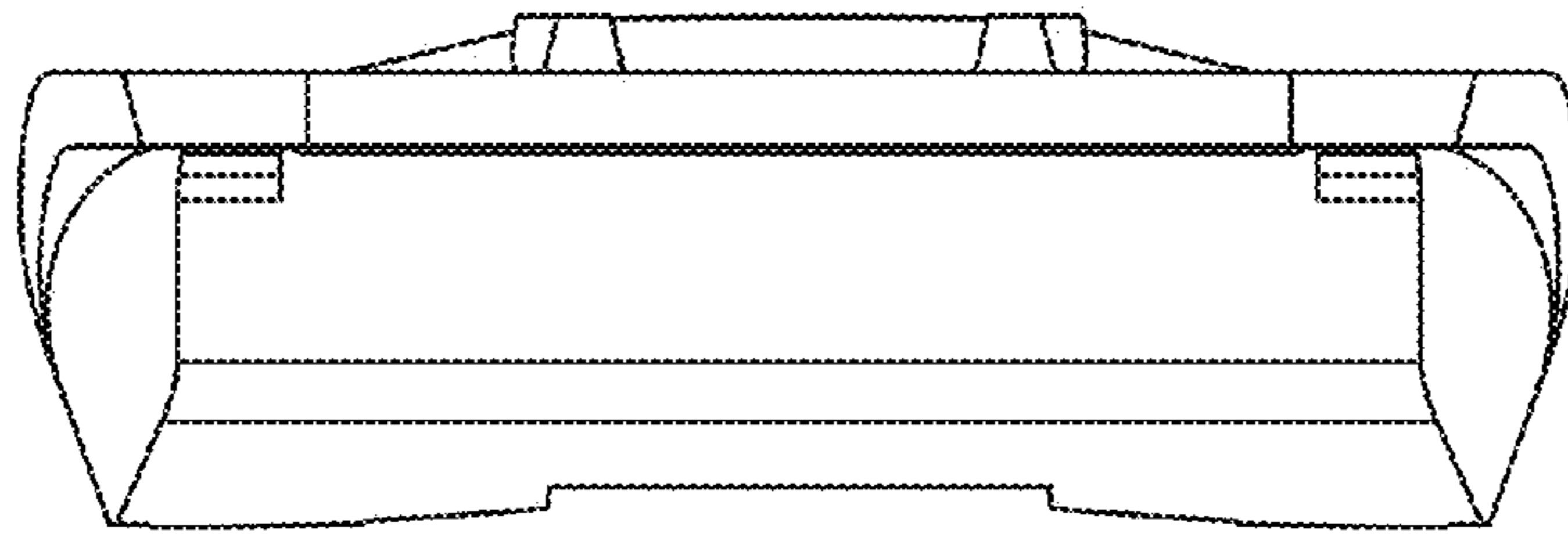


FIG. 5

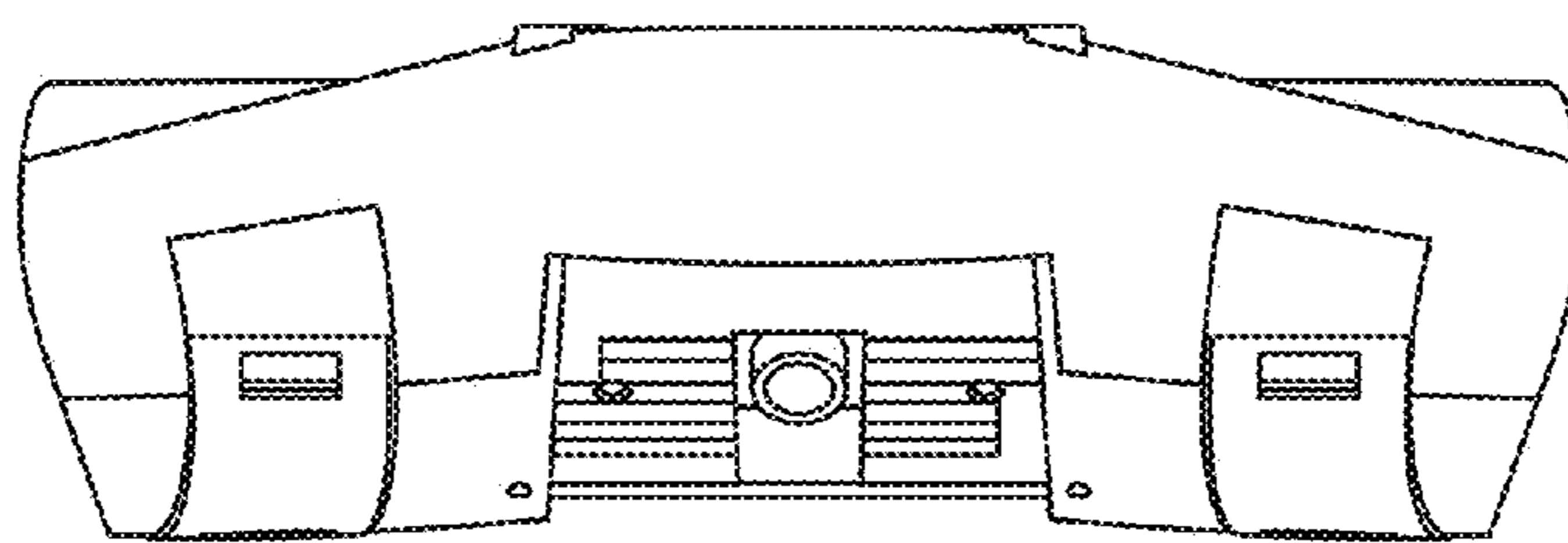


FIG. 6

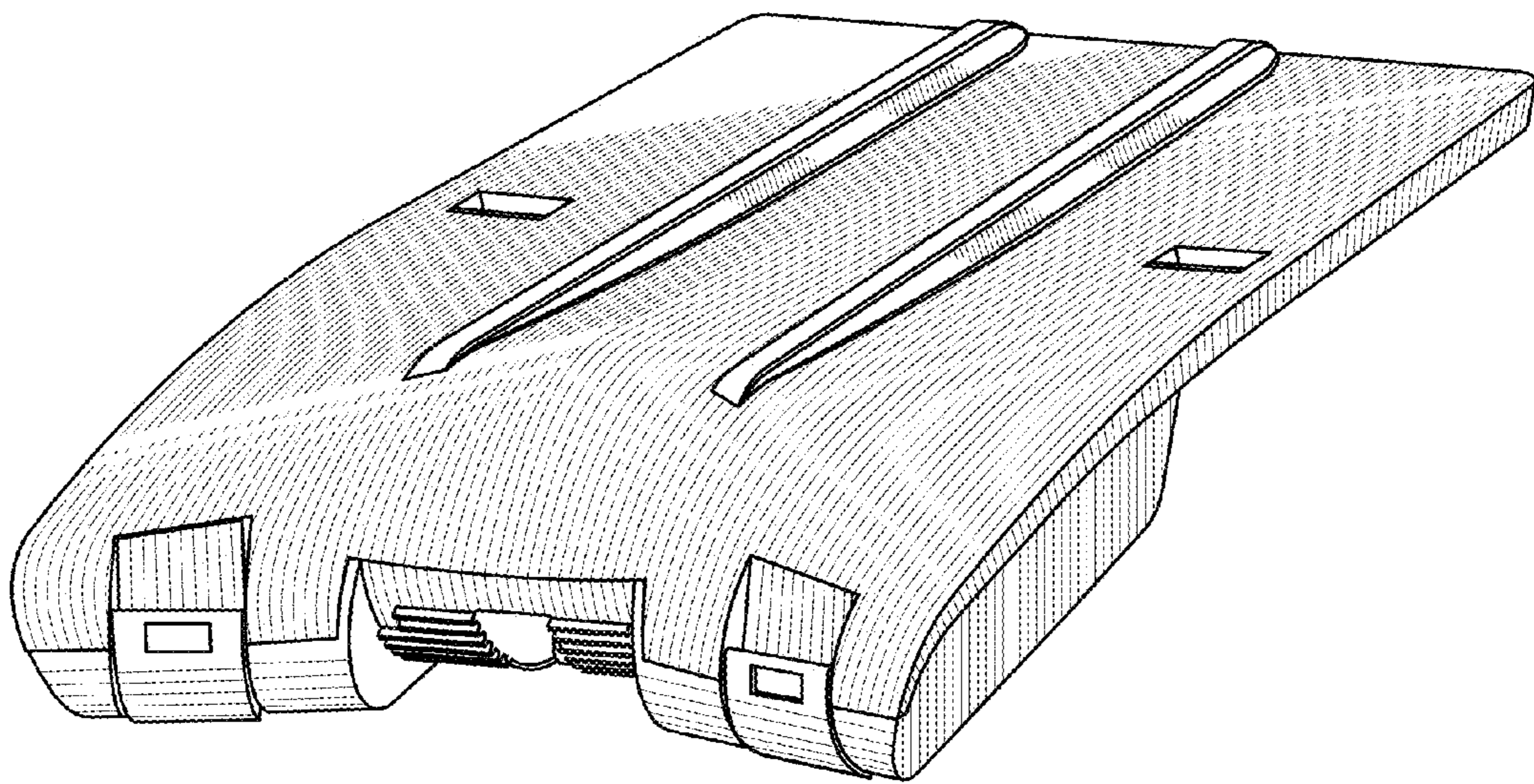


FIG. 7

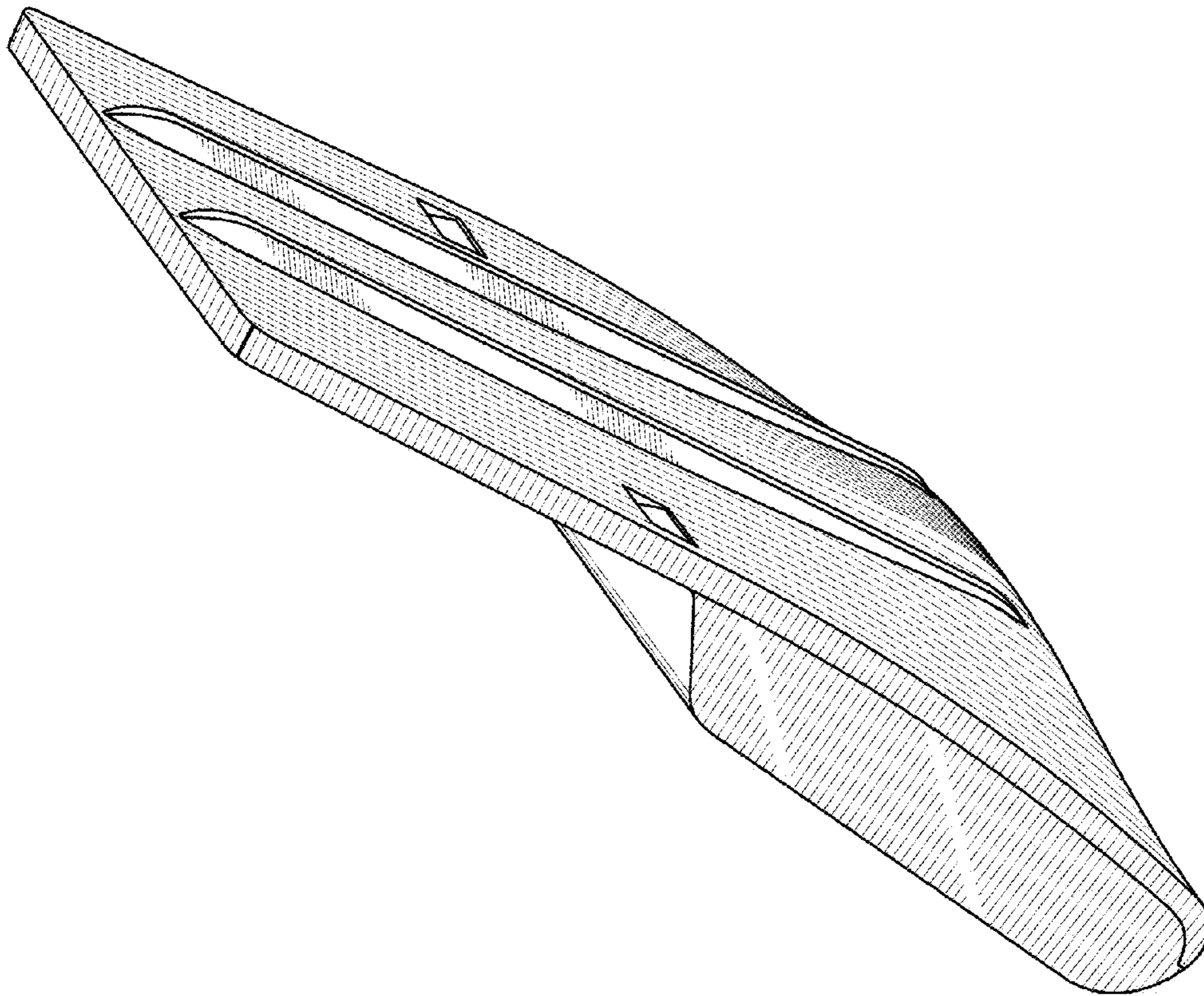


FIG. 8