



US00D743604S

(12) **United States Design Patent**  
**Kuo**

(10) **Patent No.:** **US D743,604 S**

(45) **Date of Patent:** **\*\* Nov. 17, 2015**

(54) **LAMP**

(71) Applicant: **Chao-Cheng Kuo**, Kaohsiung (TW)

(72) Inventor: **Chao-Cheng Kuo**, Kaohsiung (TW)

(\*\*) Term: **14 Years**

(21) Appl. No.: **29/482,247**

(22) Filed: **Feb. 17, 2014**

(51) **LOC (10) Cl.** ..... **26-03**

(52) **U.S. Cl.**  
USPC ..... **D26/63**

(58) **Field of Classification Search**

USPC ..... D26/1, 24, 61, 63, 65, 85, 92  
CPC ..... F21V 21/14; F21V 15/01; F21V 14/02;  
F21V 21/30; F21V 21/00; F21V 14/00;  
F21S 8/00; F21S 8/003; F21S 8/043; F21Y  
2105/001

See application file for complete search history.

(56) **References Cited**

**U.S. PATENT DOCUMENTS**

D302,594 S \* 8/1989 Charet et al. .... D26/63  
D694,934 S \* 12/2013 Zheng et al. .... D26/63

\* cited by examiner

*Primary Examiner* — Brian N Vinson

(74) *Attorney, Agent, or Firm* — Alan D. Kamrath; Kamrath IP Lawfirm, P.A.

(57) **CLAIM**

The ornamental design for a lamp, as shown and described.

**DESCRIPTION**

FIG. 1 is a perspective view of a lamp showing my new design;

FIG. 2 is a front elevational view thereof;

FIG. 3 is a bottom plan view thereof;

FIG. 4 is a right side elevational view thereof;

FIG. 5 is a top plan view thereof;

FIG. 6 is a left side elevational view thereof;

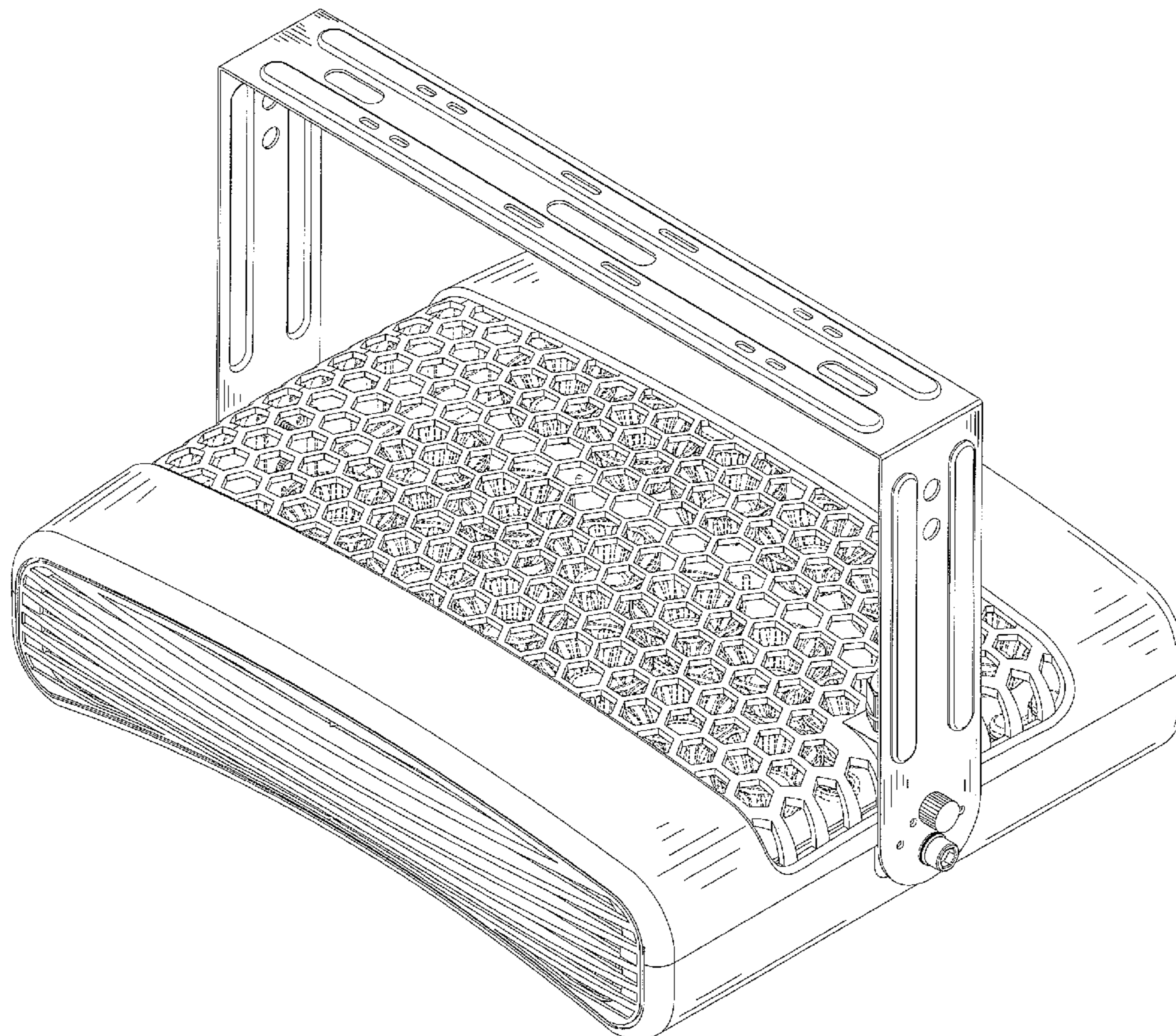
FIG. 7 is a rear elevational view thereof;

FIG. 8 is another perspective view thereof; and,

FIG. 9 is a reference view thereof.

The broken lines illustrate environmental structure and form no part of the claimed design.

**1 Claim, 9 Drawing Sheets**



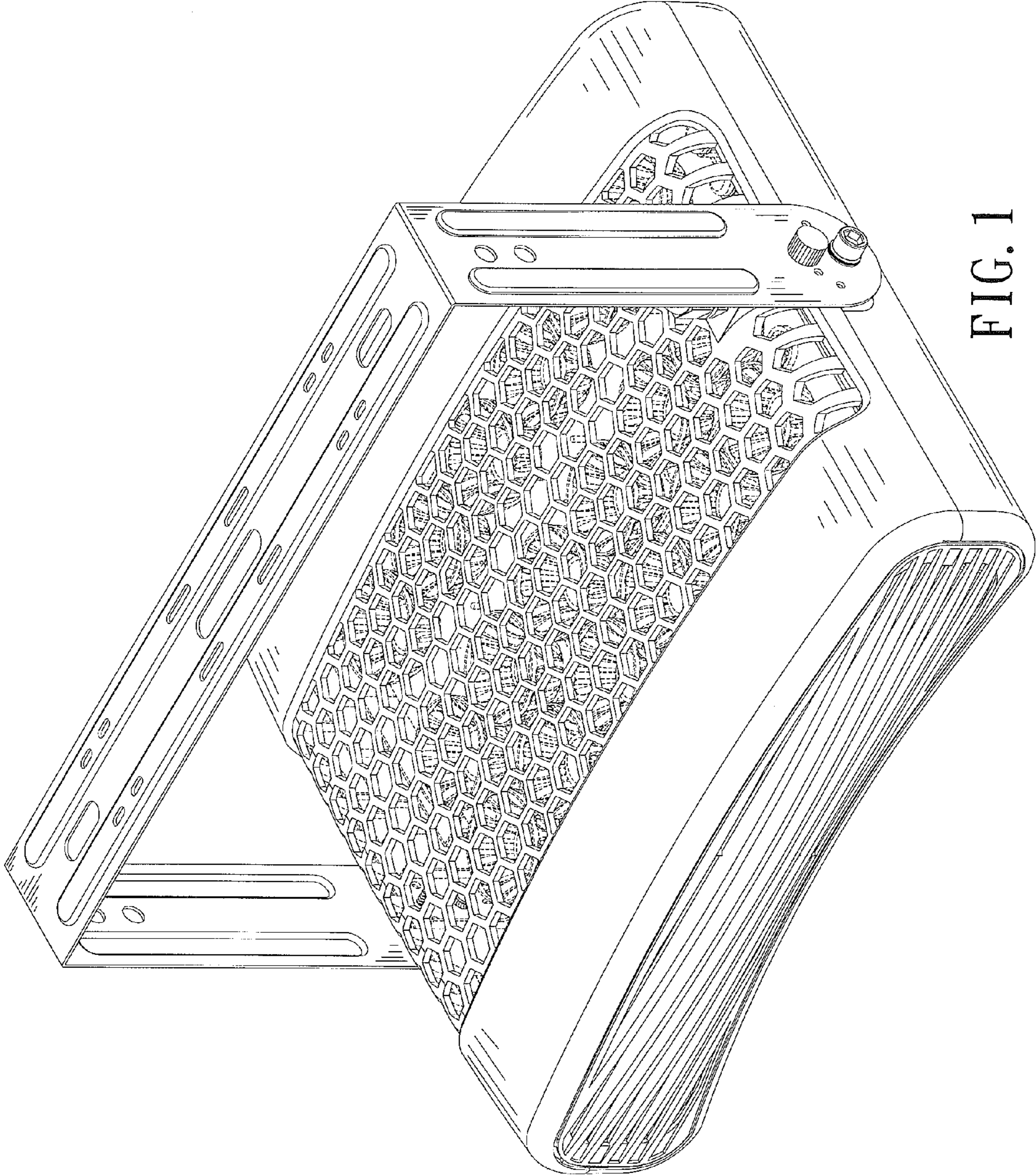


FIG. 1

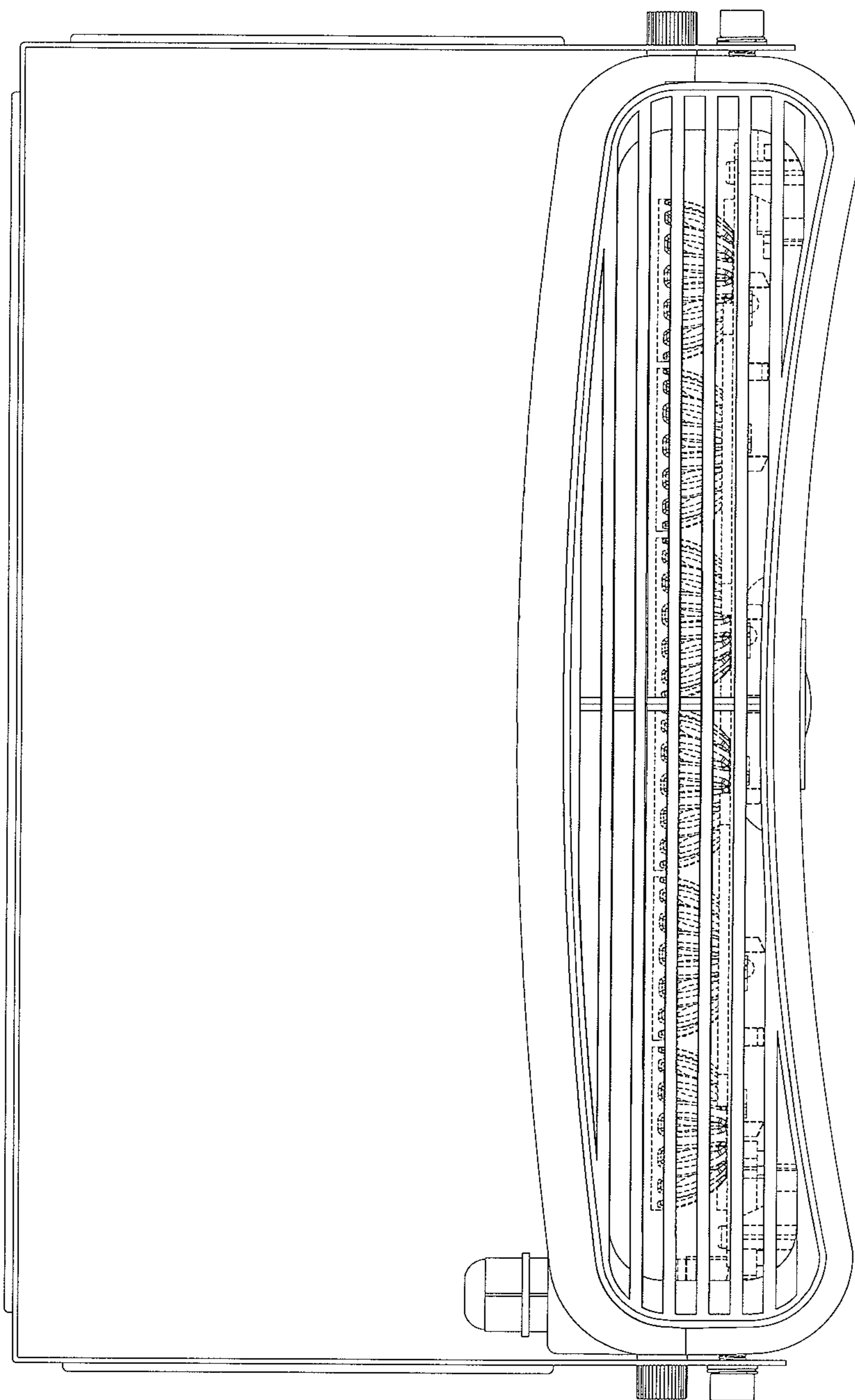


FIG. 2

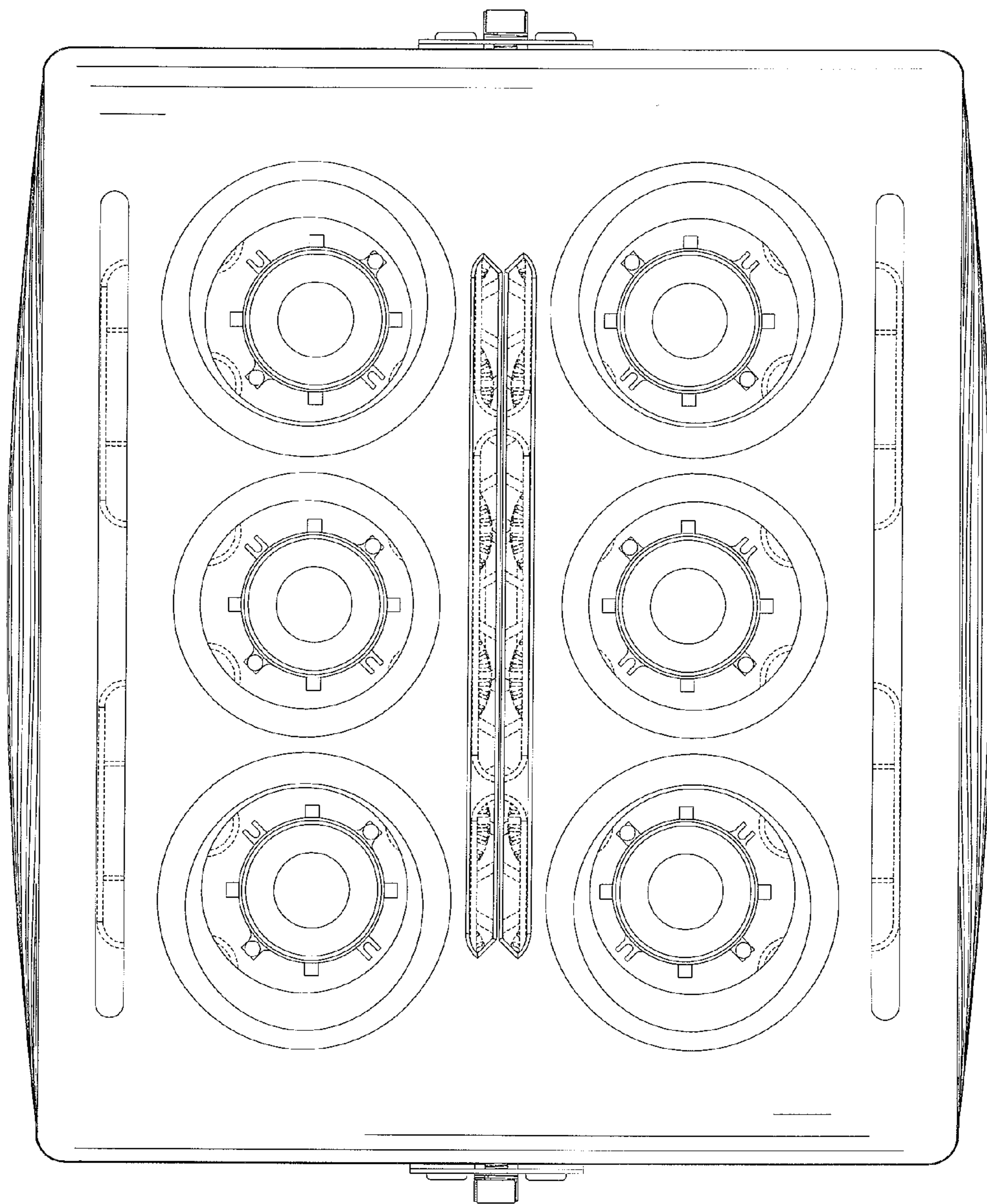


FIG. 3

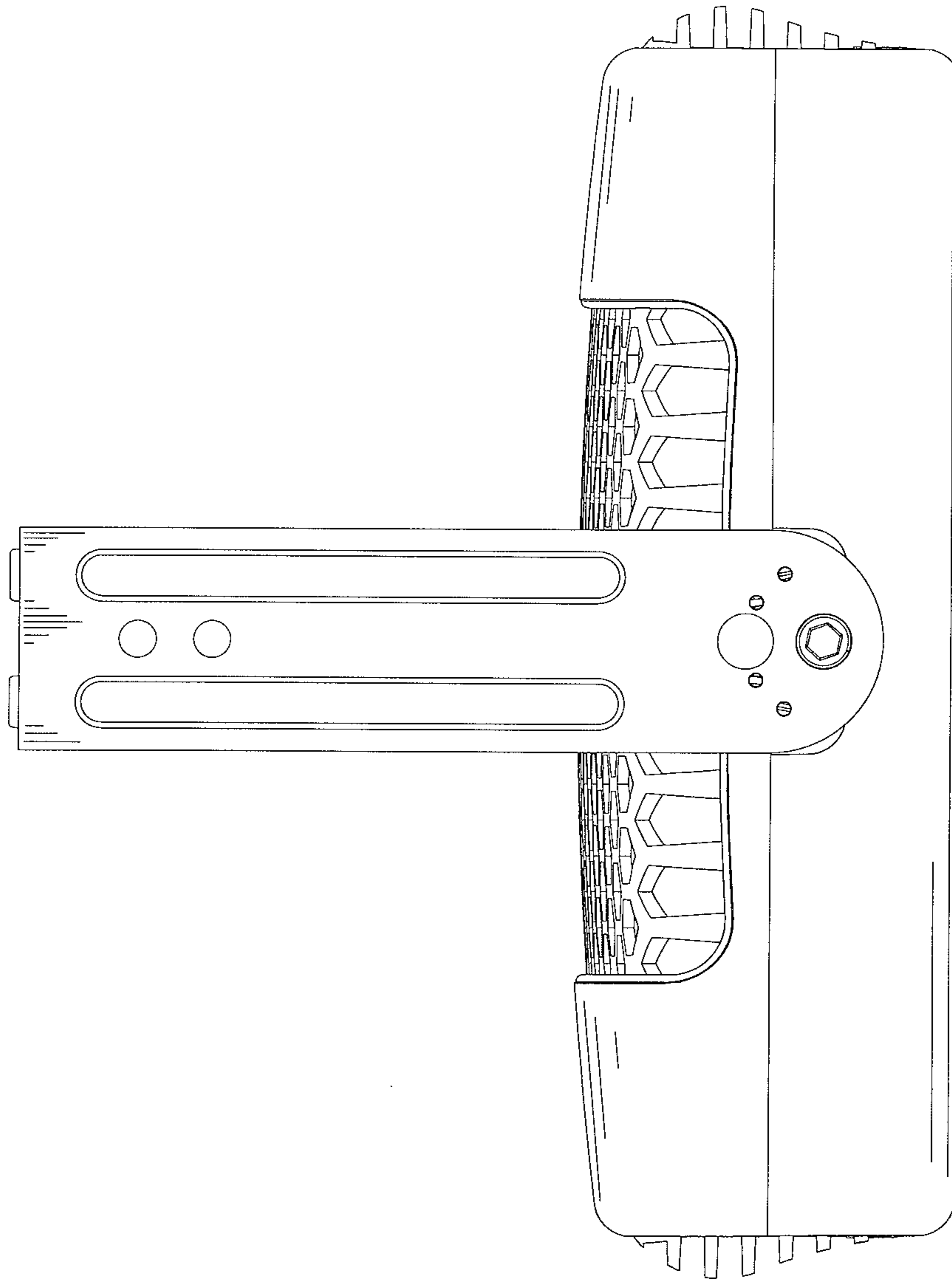


FIG. 4

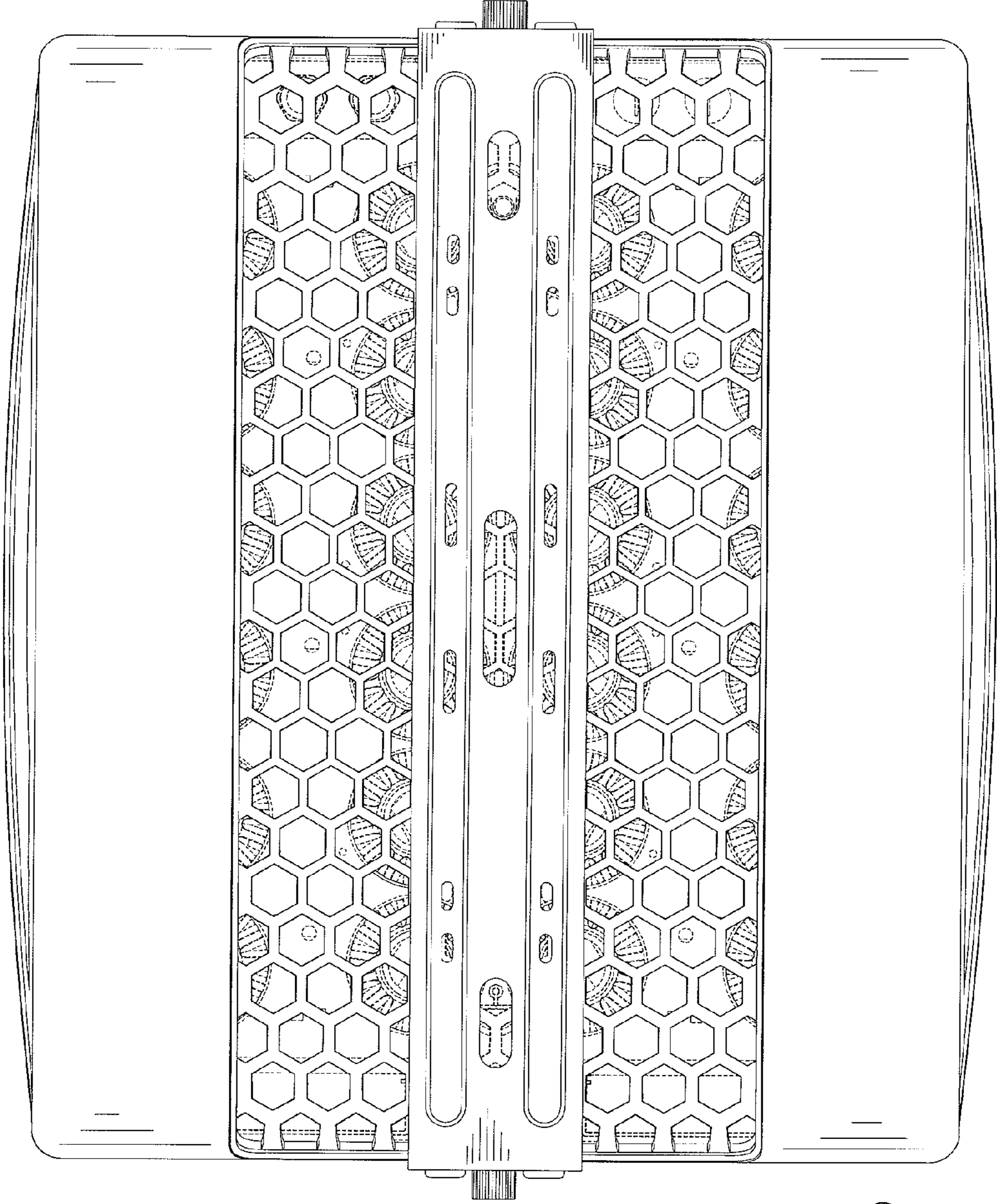


FIG. 5

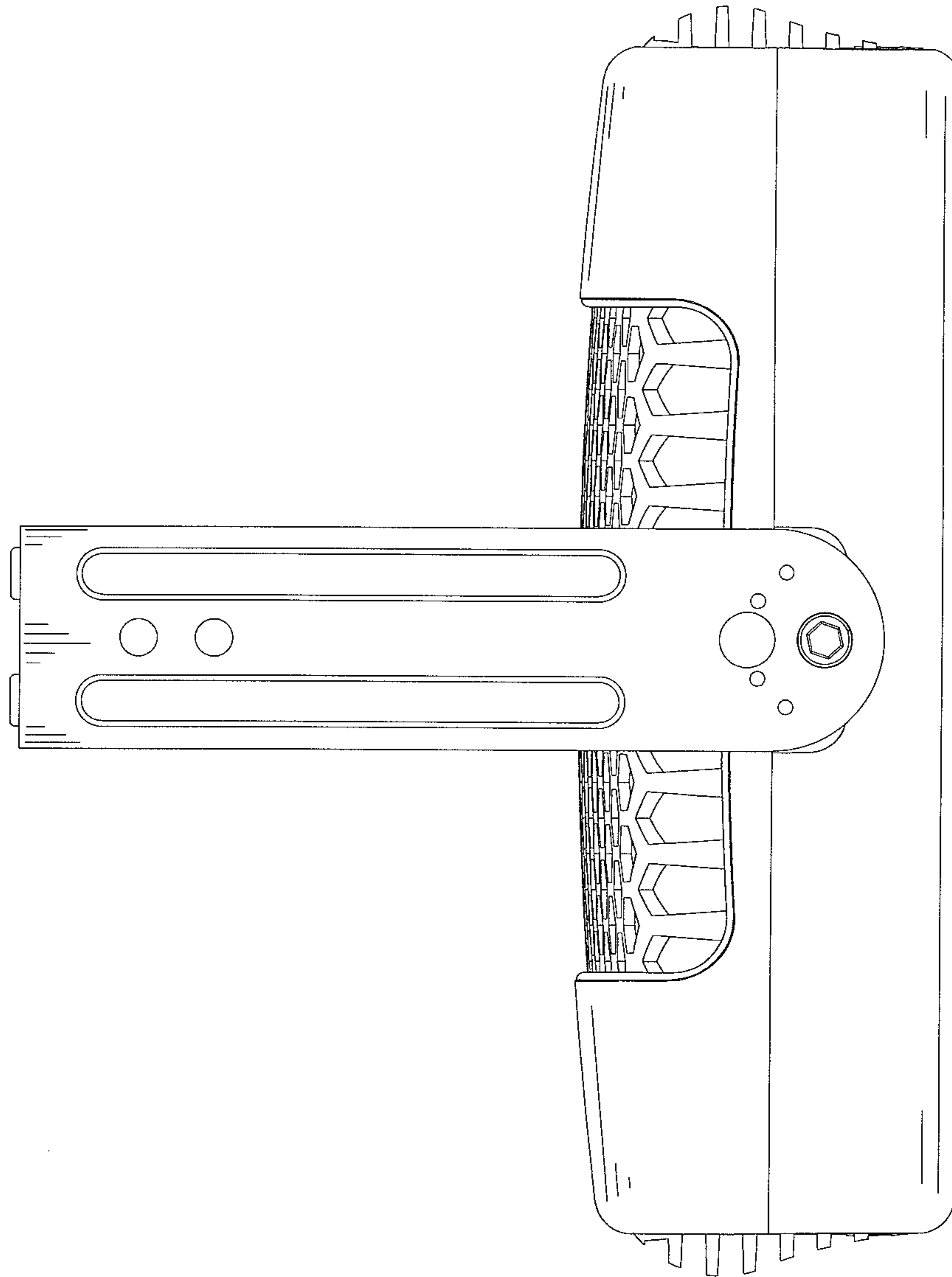


FIG. 6

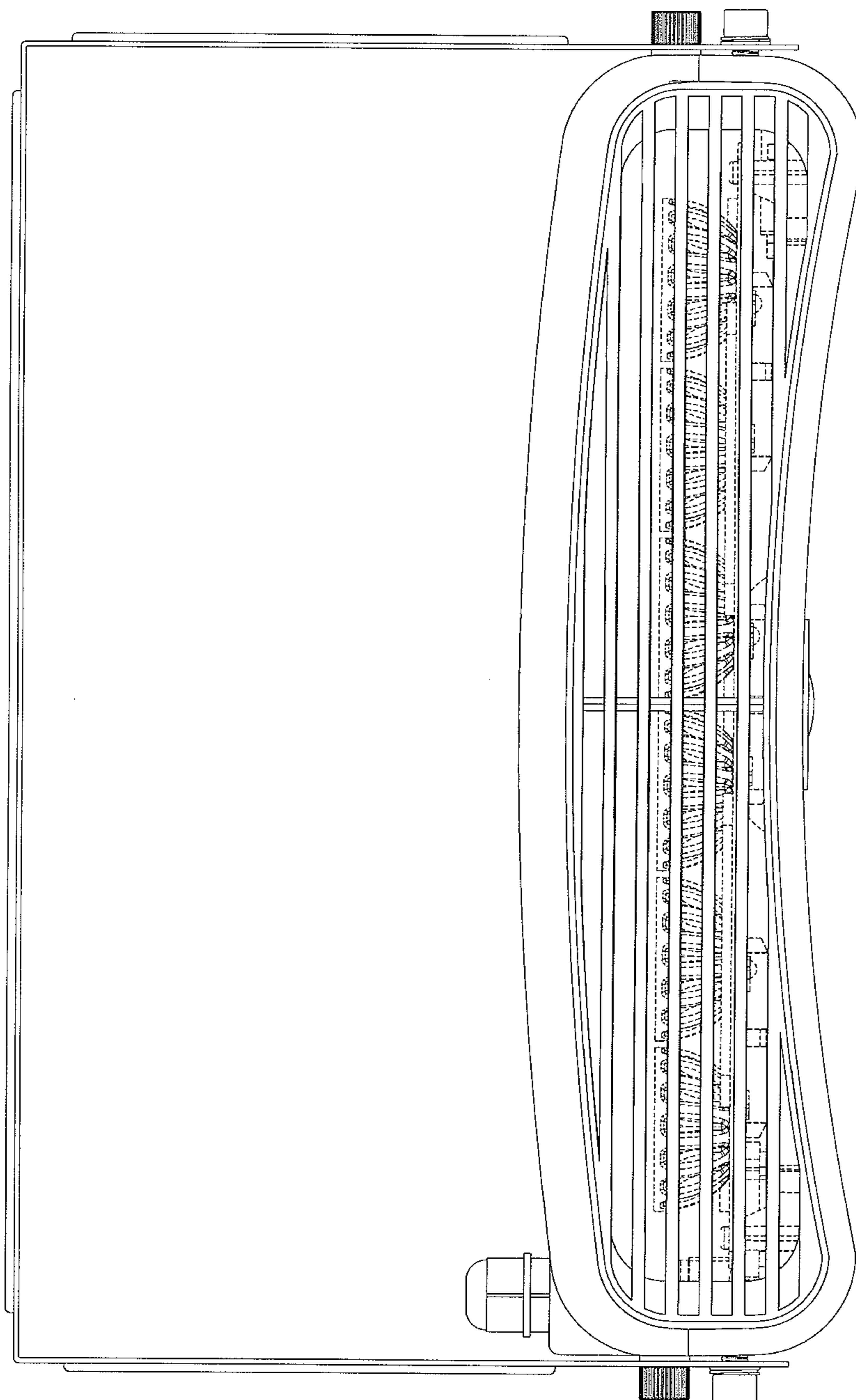


FIG. 7



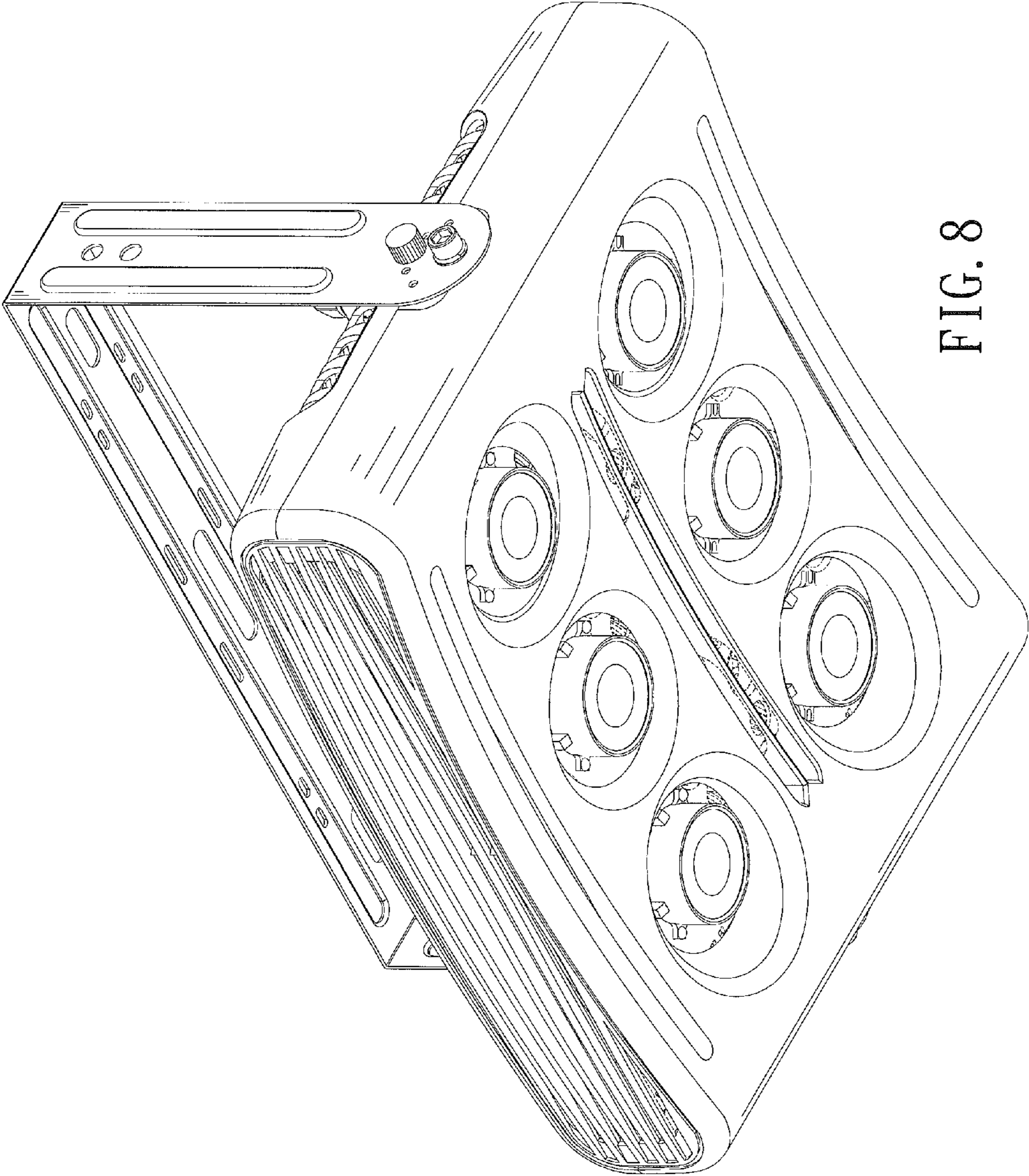


FIG. 8

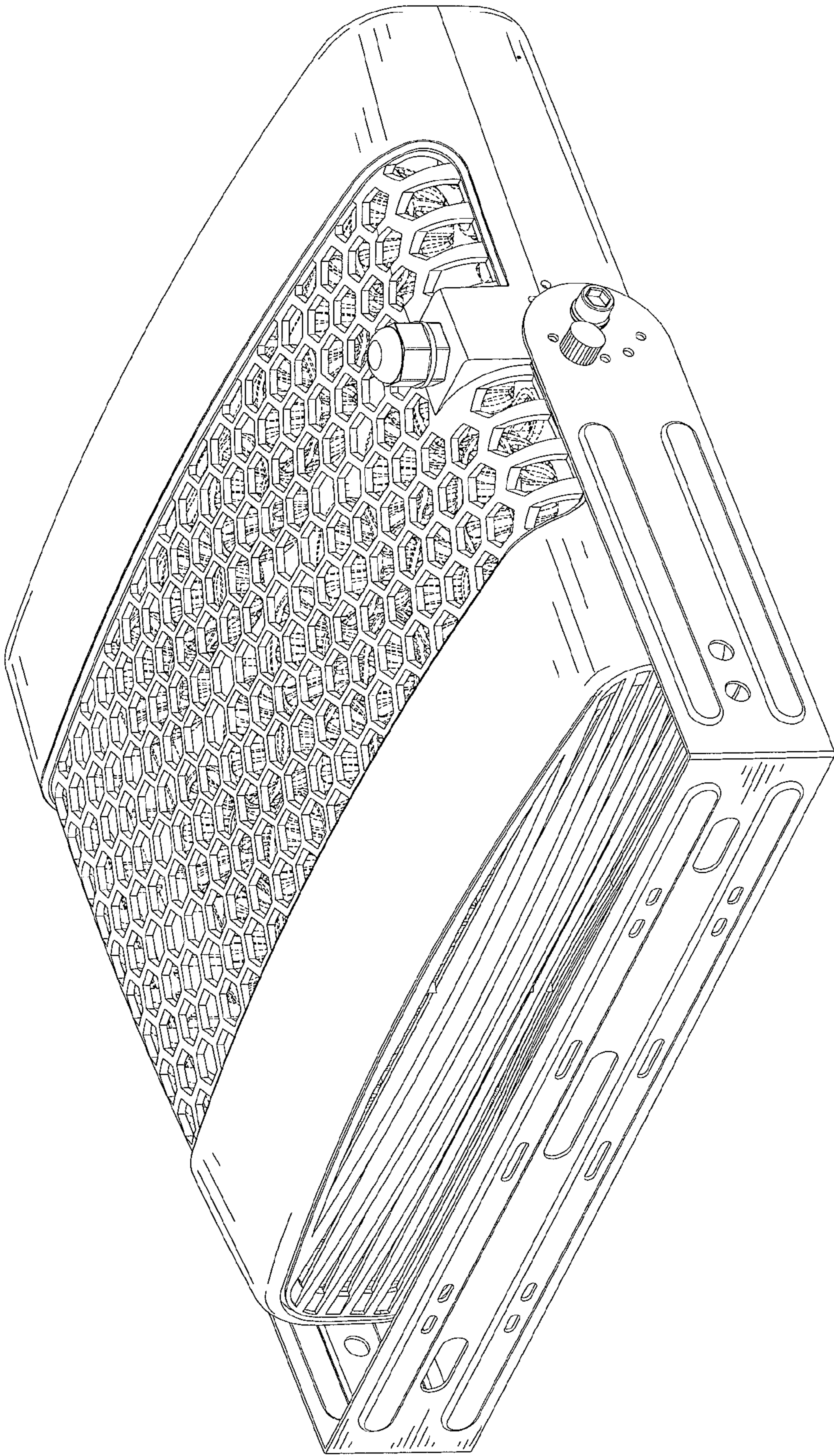


FIG. 9