



US00D743601S

(12) **United States Design Patent**
Maglica

(10) **Patent No.:** **US D743,601 S**

(45) **Date of Patent:** **** Nov. 17, 2015**

(54) **FLASHLIGHT**

(71) Applicant: **Anthony Maglica**, Ontario, CA (US)

(72) Inventor: **Anthony Maglica**, Ontario, CA (US)

(73) Assignee: **Mag Instrument, Inc.**, Ontario, CA (US)

(**) Term: **14 Years**

(21) Appl. No.: **29/481,345**

(22) Filed: **Feb. 4, 2014**

(51) **LOC (10) Cl.** **26-02**

(52) **U.S. Cl.**
USPC **D26/49**

(58) **Field of Classification Search**
USPC D26/37, 46, 49, 38, 51, 42; 362/157,
362/158, 183, 184, 194–196, 202–208, 253
CPC F21V 33/00; F21V 14/025; F21V 21/406;
F21Y 2101/02; F21L 17/00; F21L 13/08
See application file for complete search history.

(56) **References Cited**

U.S. PATENT DOCUMENTS

D263,170 S *	2/1982	Maglica	D26/49
D403,452 S *	12/1998	Kim	D26/38
D490,551 S *	5/2004	Kim	D26/38
D515,230 S *	2/2006	Galli	D26/49
D531,746 S *	11/2006	Zhu	D26/49
D551,366 S *	9/2007	Galli	D26/37
D553,282 S *	10/2007	Zhu	D26/49
D604,877 S *	11/2009	Kung	D26/49

D636,511 S *	4/2011	Cen	D26/49
D667,578 S *	9/2012	Milz et al.	D26/49
D668,804 S *	10/2012	Maglica	D26/49
D675,357 S *	1/2013	Shi	D26/49
D698,056 S *	1/2014	Forbes et al.	D26/49
D728,838 S *	5/2015	Maglica	D26/49
2004/0012952 A1 *	1/2004	Maglica	362/157
2006/0039139 A1 *	2/2006	Maglica et al.	362/202
2006/0193128 A1 *	8/2006	West	362/205

* cited by examiner

Primary Examiner — Ian Simmons

Assistant Examiner — Carissa C Fitts

(74) *Attorney, Agent, or Firm* — Maceiko IP

(57) **CLAIM**

The ornamental design for a flashlight, as shown and described.

DESCRIPTION

FIG. 1 is a front perspective view of a first embodiment of a flashlight, showing my new design.

FIG. 2 is a rear perspective view of a flashlight.

FIG. 3 is a front view of a flashlight.

FIG. 4 is a rear view of a flashlight.

FIG. 5 is a top view of a flashlight.

FIG. 6 is a side view of a flashlight.

FIG. 7 is a front perspective view of a second embodiment of a flashlight, showing my new design.

FIG. 8 is a rear perspective view of a flashlight.

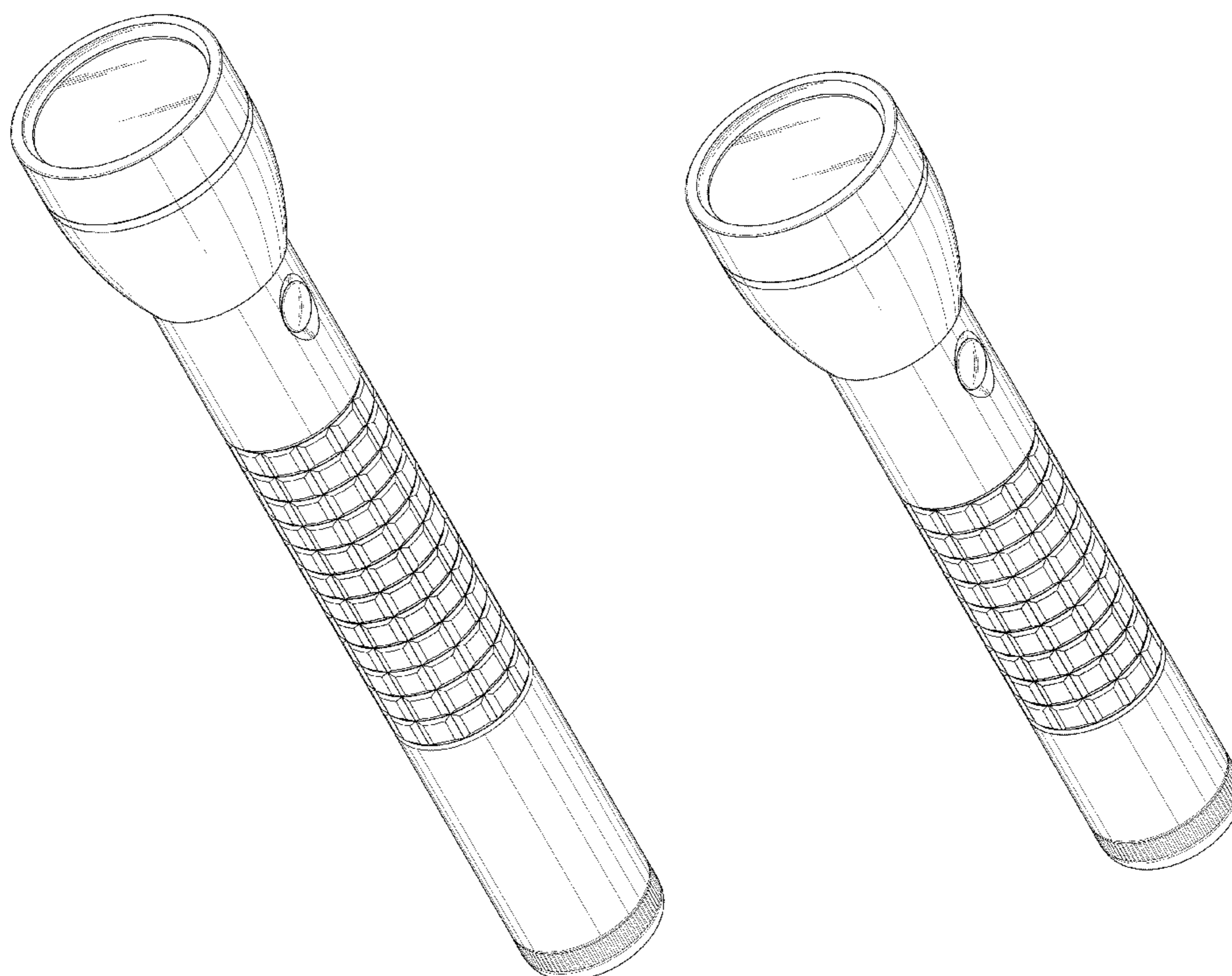
FIG. 9 is a front view of a flashlight.

FIG. 10 is a rear view of a flashlight.

FIG. 11 is a top view of a flashlight; and,

FIG. 12 is a side view of a flashlight.

1 Claim, 12 Drawing Sheets



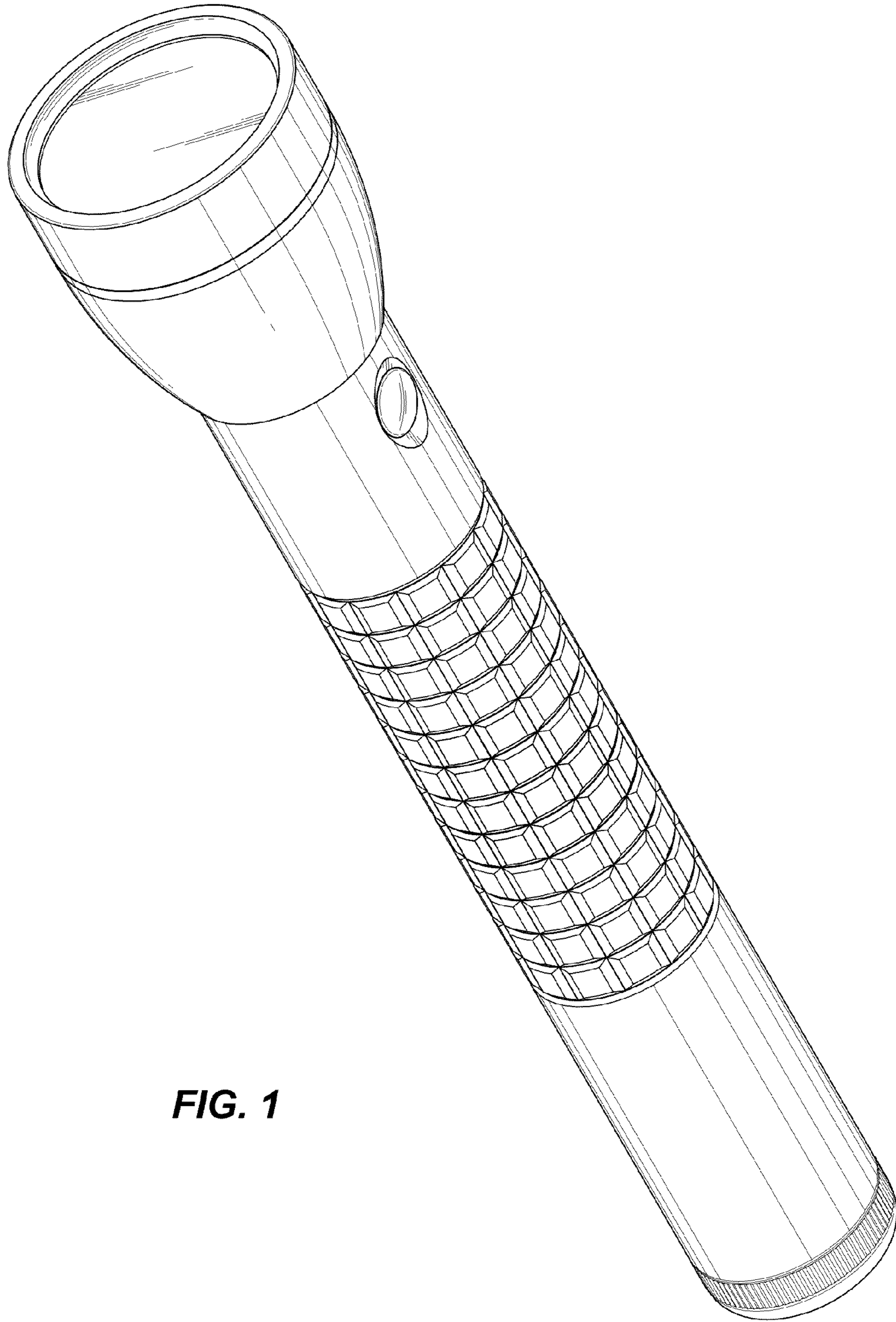


FIG. 1

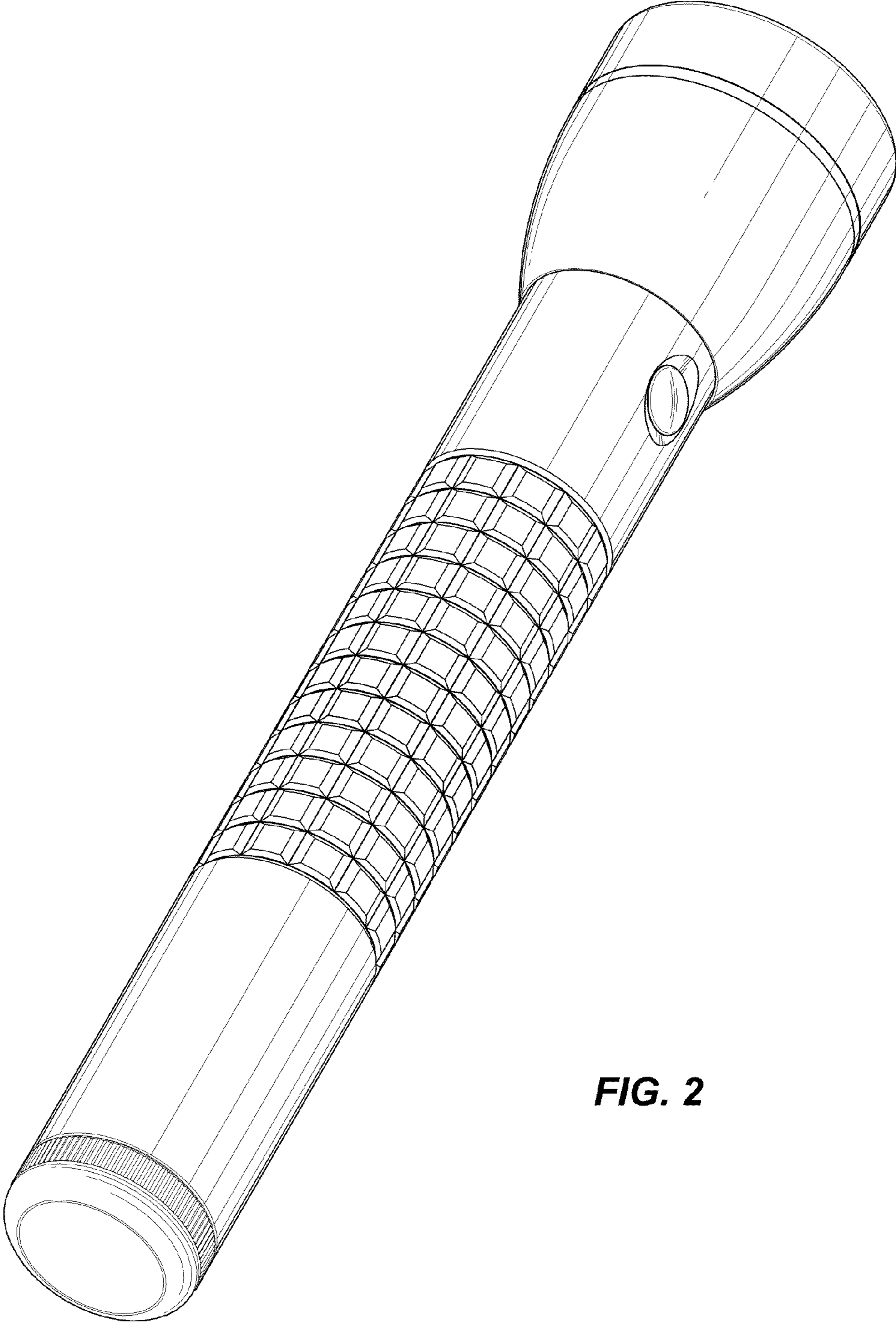


FIG. 2

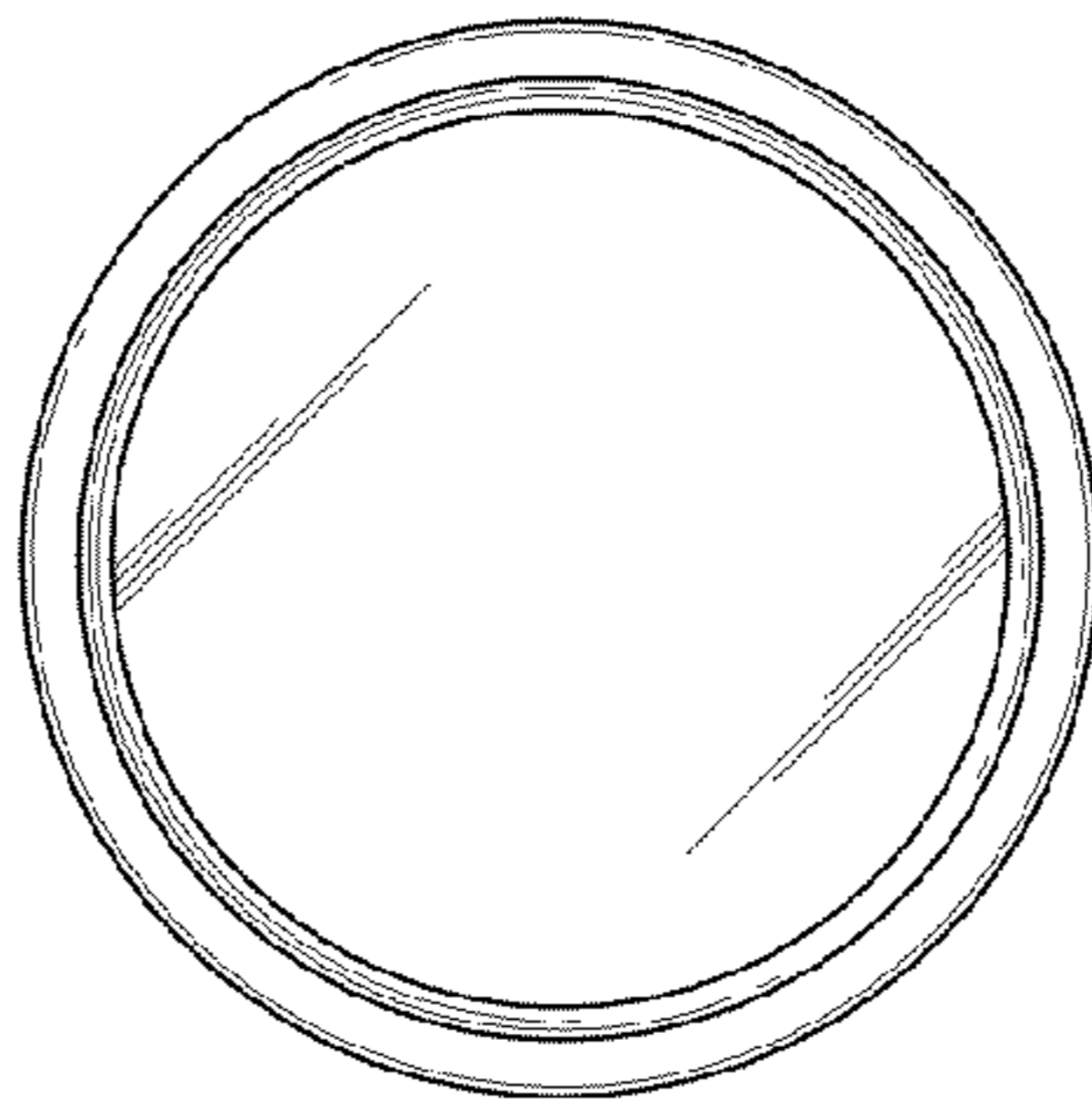


FIG. 3

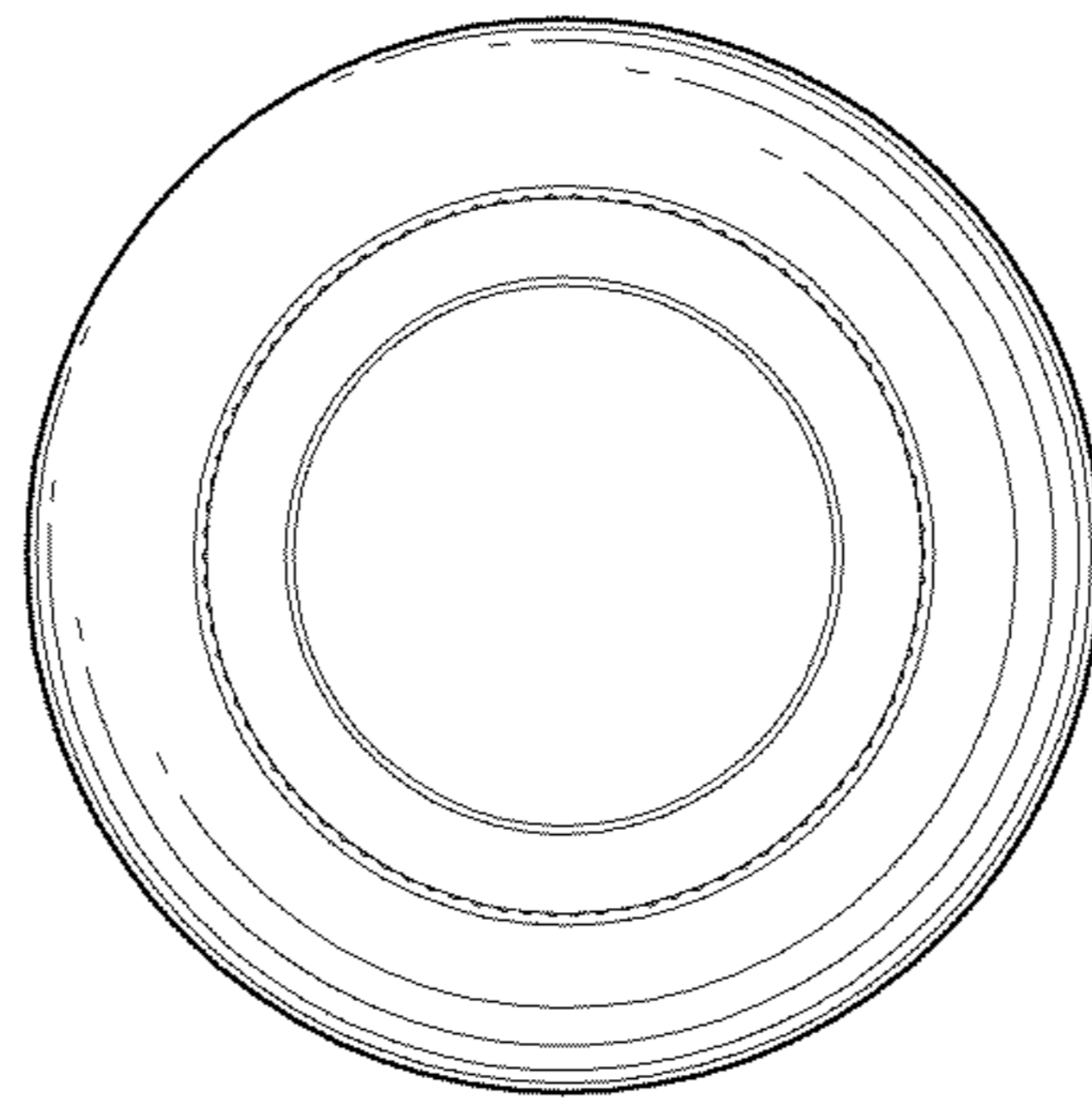


FIG. 4

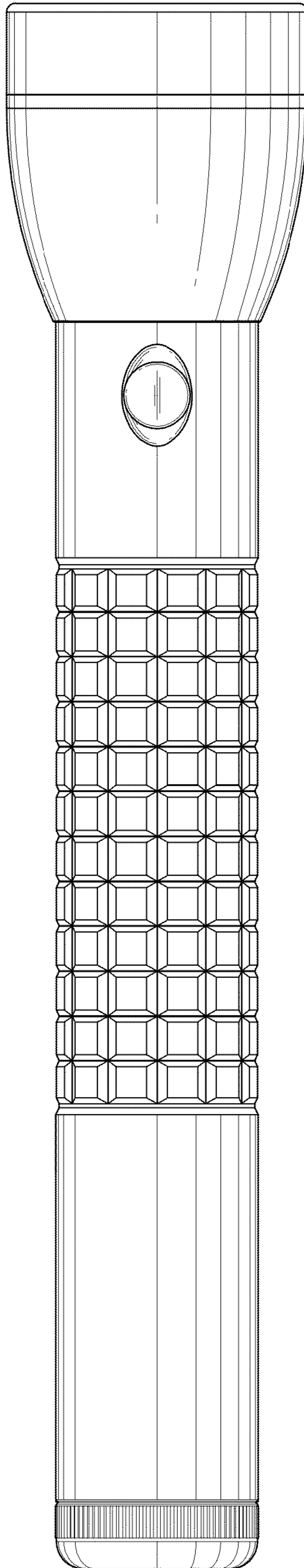


FIG. 5

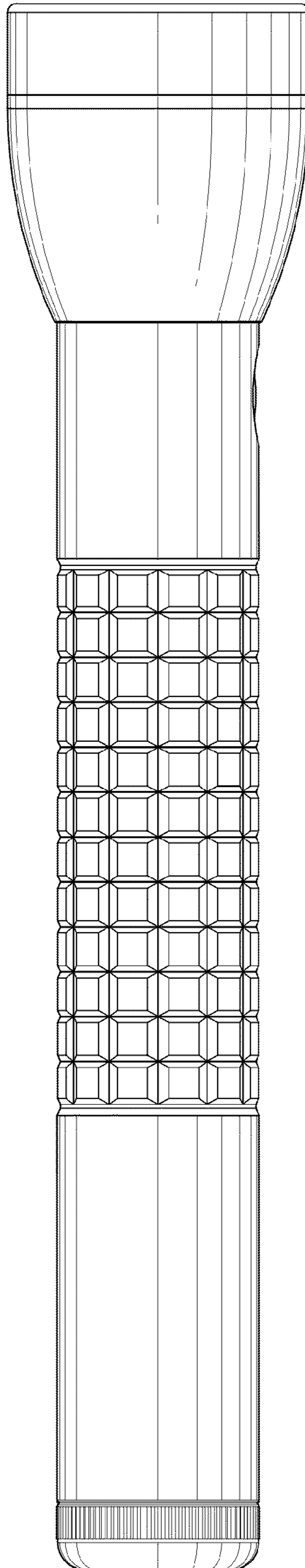


FIG. 6

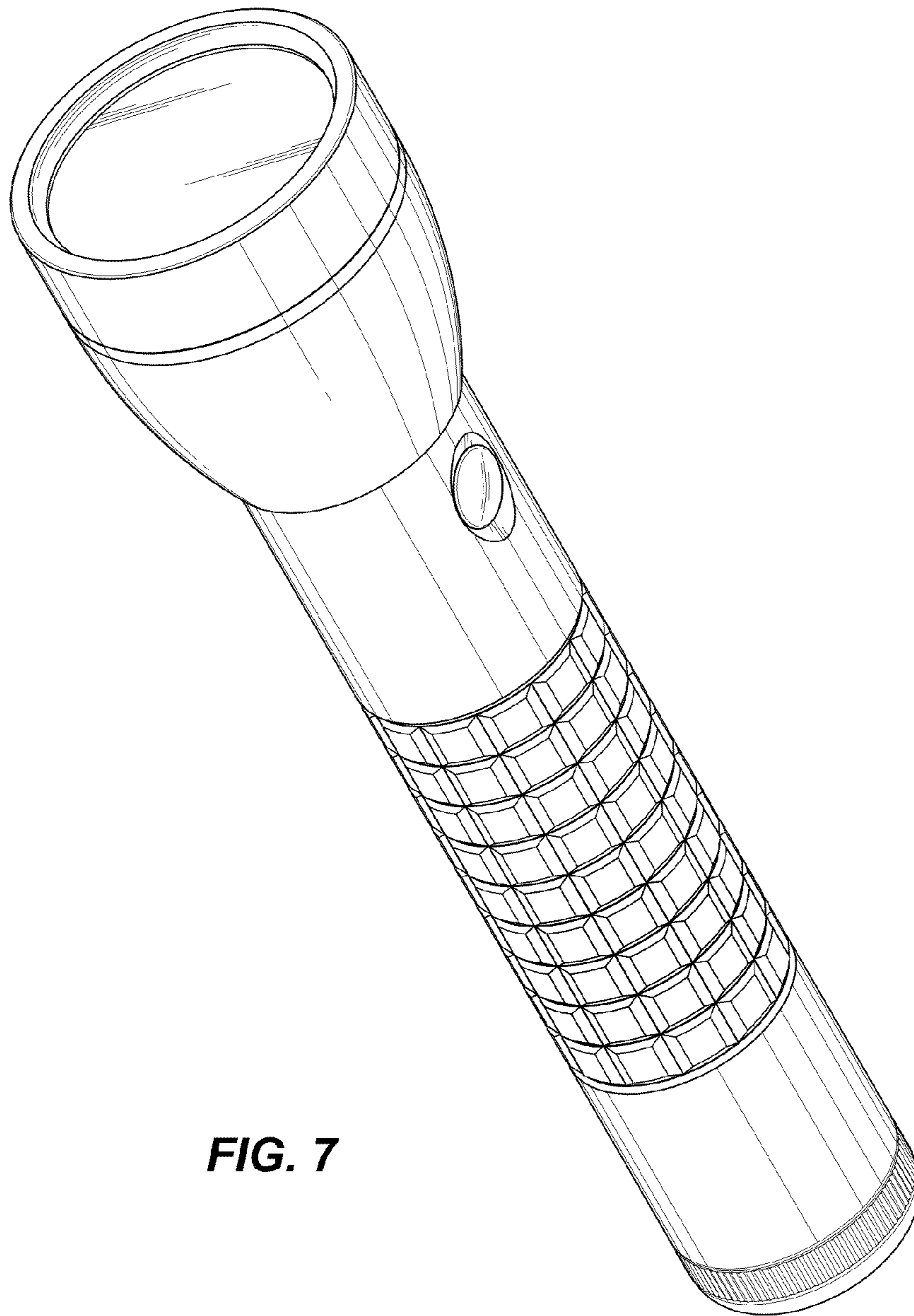


FIG. 7

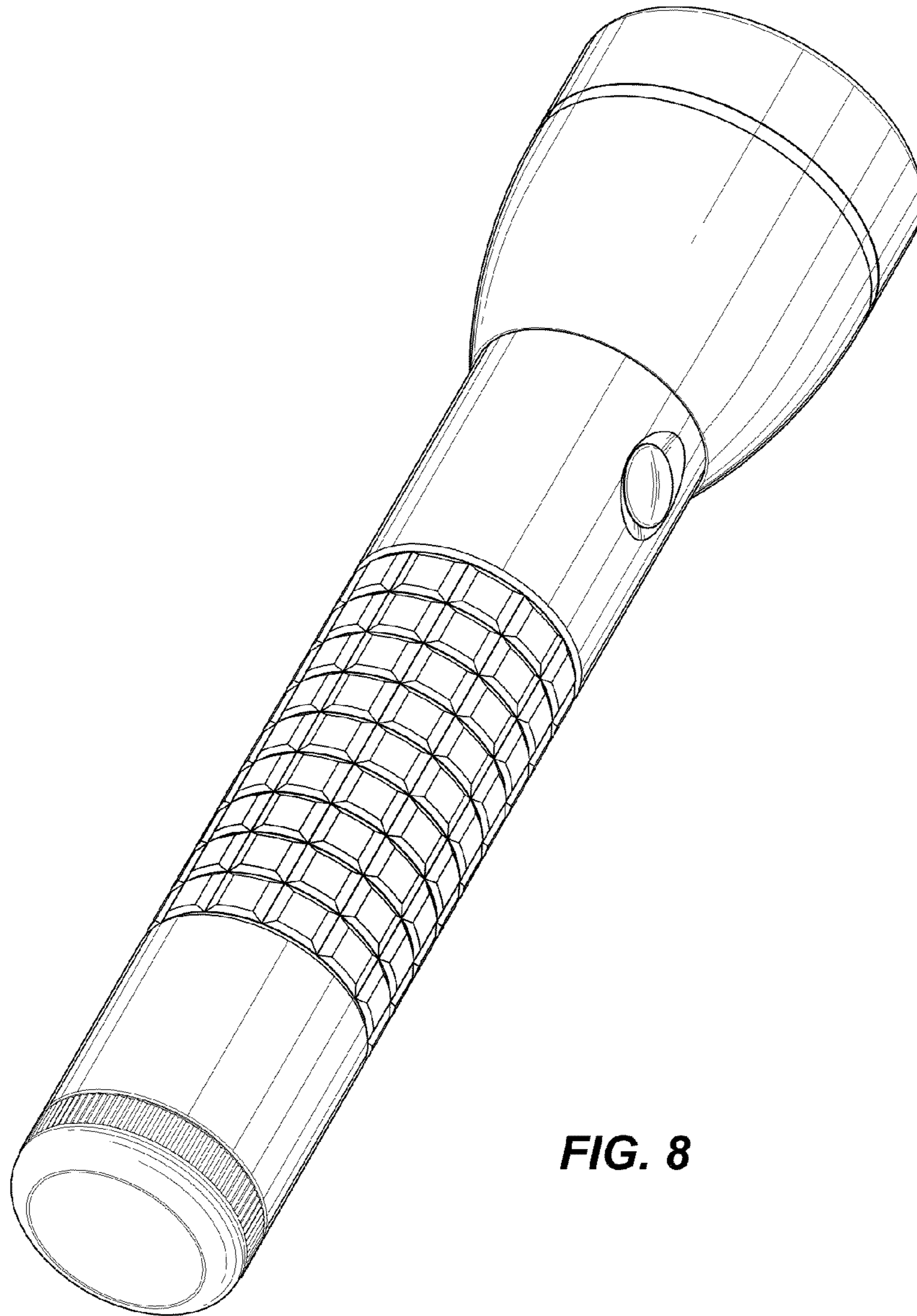


FIG. 8

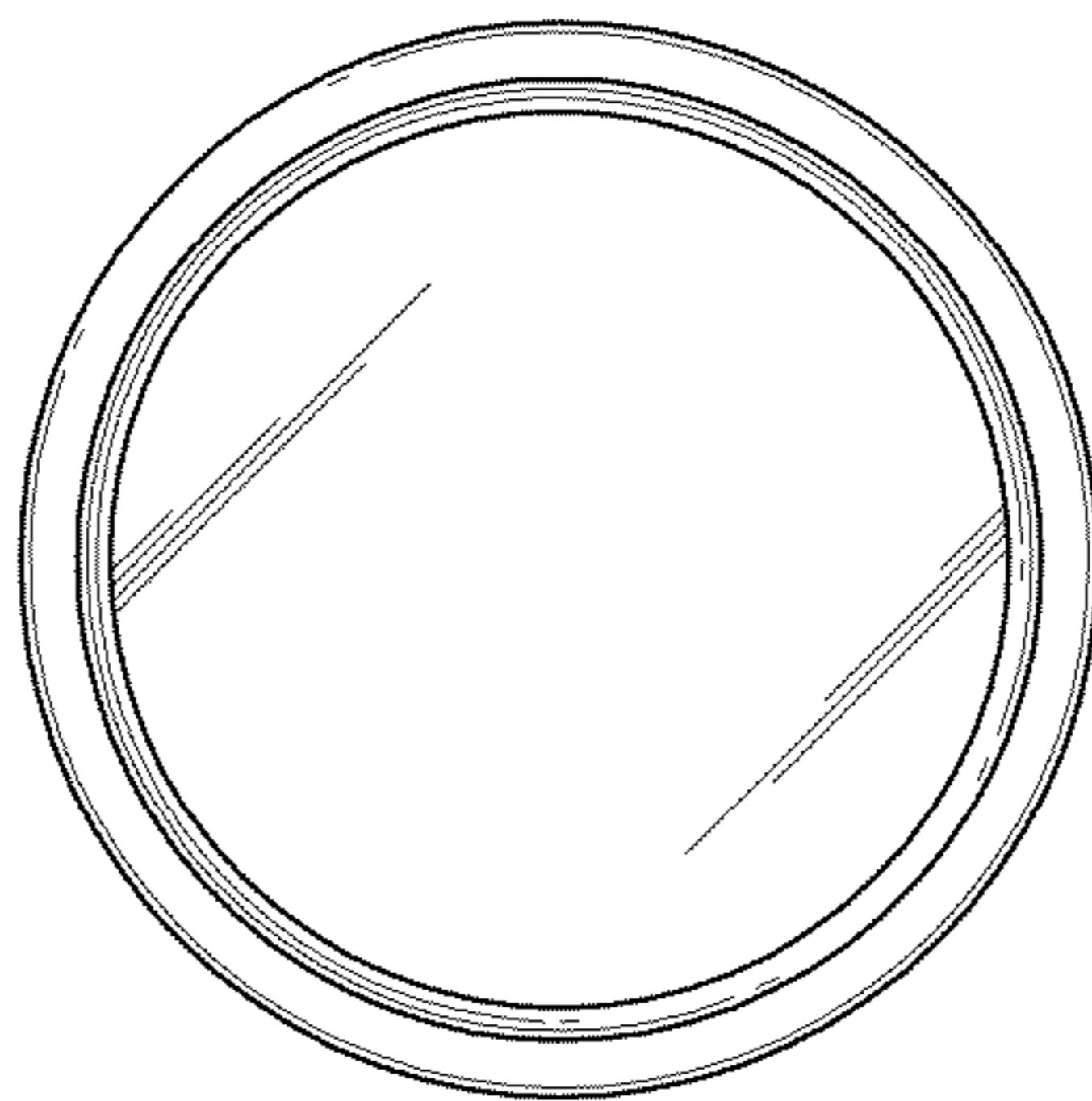


FIG. 9

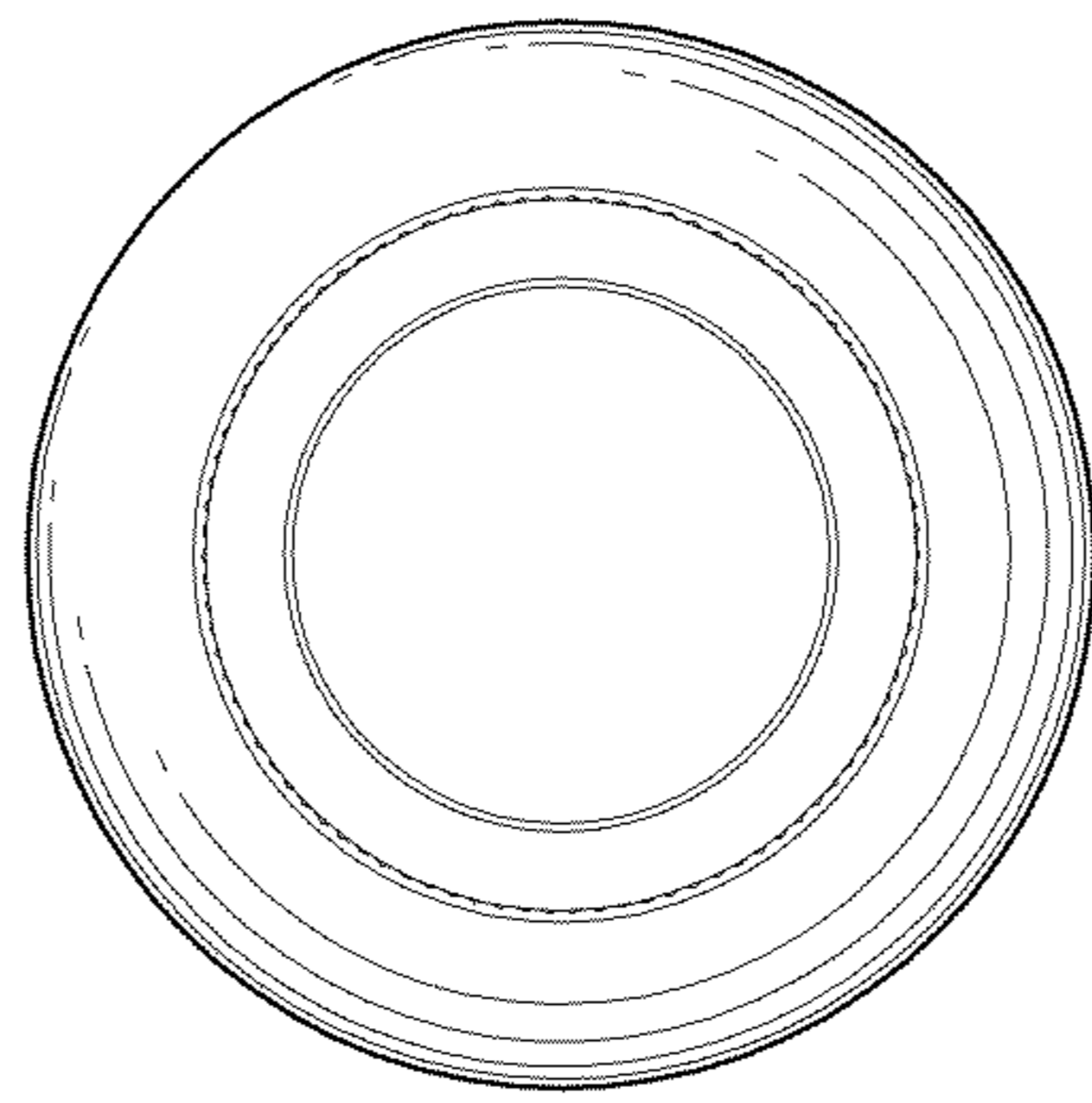


FIG. 10

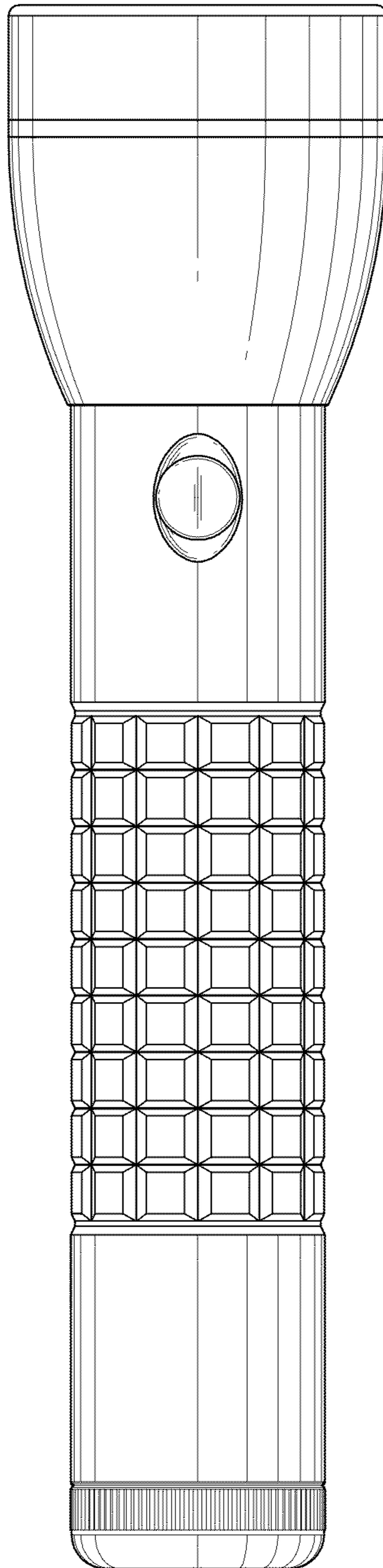


FIG. 11

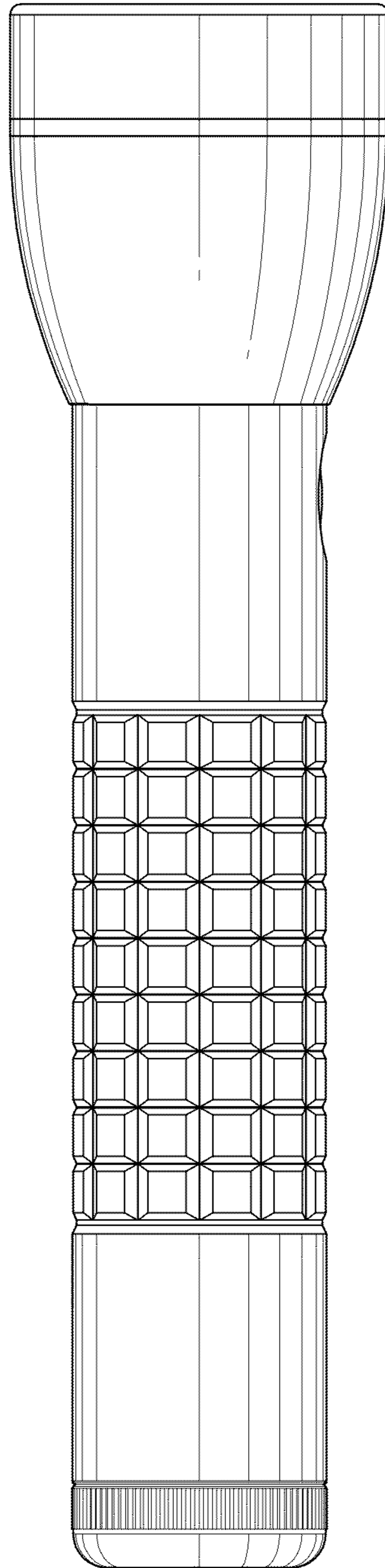


FIG. 12