



US00D743600S

(12) **United States Design Patent**  
**Robinson et al.**

(10) **Patent No.:** **US D743,600 S**

(45) **Date of Patent:** **\*\* Nov. 17, 2015**

(54) **FLASHLIGHT**

(71) Applicants: **Glenn Robinson**, Parkland, FL (US);  
**Francisco Molina**, Margate, FL (US)

(72) Inventors: **Glenn Robinson**, Parkland, FL (US);  
**Francisco Molina**, Margate, FL (US)

(\*\*) Term: **14 Years**

(21) Appl. No.: **29/474,109**

(22) Filed: **Jun. 2, 2014**

(51) **LOC (10) Cl.** ..... **26-02**

(52) **U.S. Cl.**  
USPC ..... **D26/49**

(58) **Field of Classification Search**  
USPC ..... D26/37, 46, 49, 38; 362/157, 158, 183,  
362/184, 194-196, 202-208  
CPC ..... F21V 33/00; F21V 14/025; F21V 21/406;  
F21Y 2101/02; F21L 2003/00; F21L 2005/00;  
F21L 2/00; F21L 4/00; F21L 4/005; F21L  
17/00; F21L 13/08  
See application file for complete search history.

(56) **References Cited**

**U.S. PATENT DOCUMENTS**

D525,733 S *	7/2006	Shiao .....	D26/37
D529,210 S *	9/2006	Mundhra .....	D26/37
D529,643 S *	10/2006	Kung .....	D26/37
D532,914 S *	11/2006	Yen .....	D26/37
D536,117 S *	1/2007	Krieger et al. ....	D26/49
D544,621 S *	6/2007	Kim .....	D26/37
D549,376 S *	8/2007	Shiu .....	D26/49

D551,366 S *	9/2007	Galli .....	D26/37
D554,281 S *	10/2007	Bushee et al. ....	D26/37
D567,976 S *	4/2008	Shiu .....	D26/37
D607,591 S *	1/2010	Rivera et al. ....	D26/49
D629,940 S *	12/2010	Osterhout .....	D26/49
D641,093 S *	7/2011	Kidman .....	D26/49
D644,775 S *	9/2011	Nguyen et al. ....	D26/49
D645,181 S *	9/2011	Garcia et al. ....	D26/49
D659,272 S *	5/2012	Nguyen et al. ....	D26/49
D709,231 S *	7/2014	Nguyen .....	D26/49
D710,526 S *	8/2014	Lee .....	D26/49
D716,984 S *	11/2014	Inskeep .....	D26/49

\* cited by examiner

*Primary Examiner* — Ian Simmons

*Assistant Examiner* — Carissa C Fitts

(74) *Attorney, Agent, or Firm* — Dan DeLa Rosa

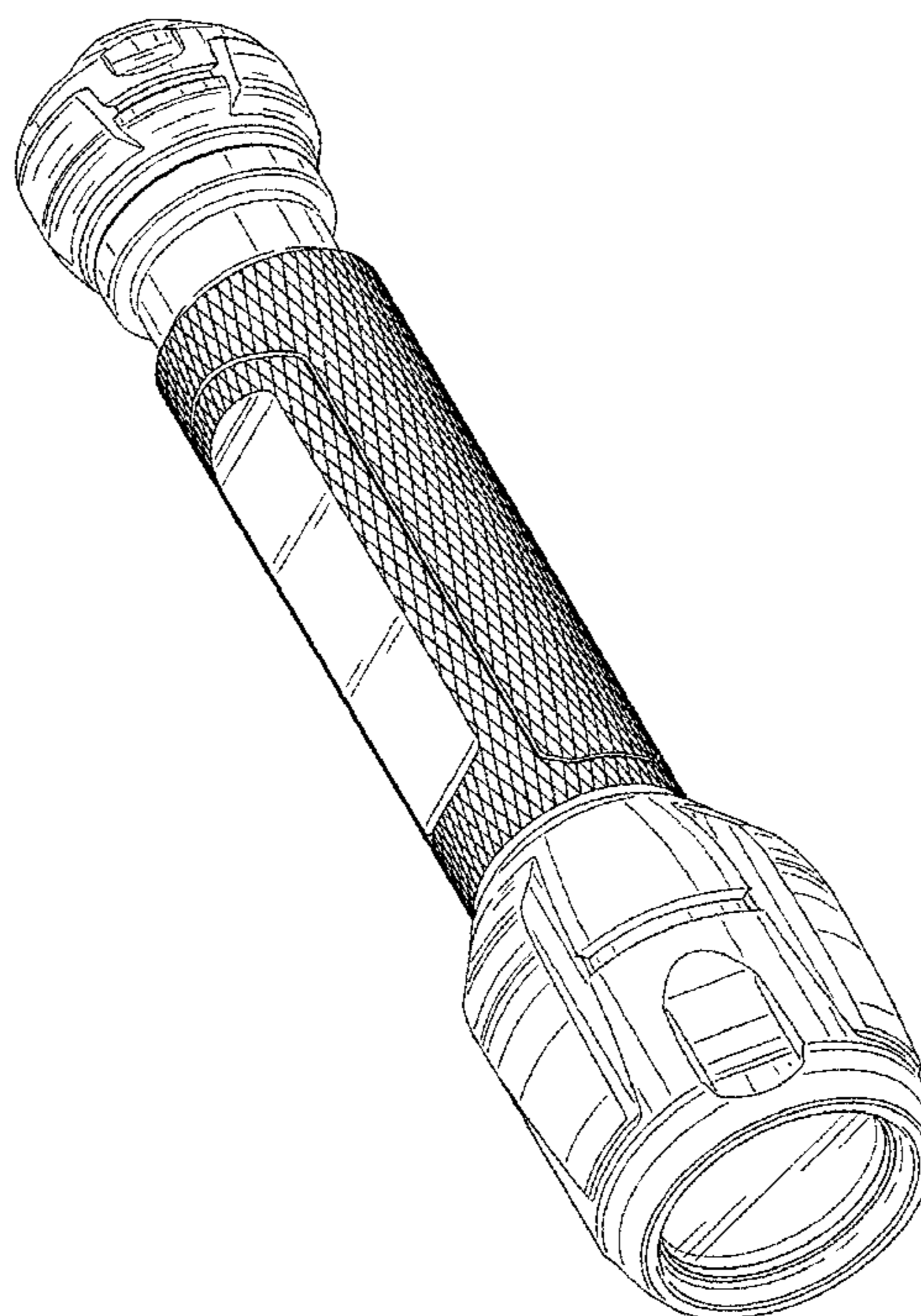
(57) **CLAIM**

The ornamental design for a flashlight, as shown and described.

**DESCRIPTION**

FIG. 1 is a front perspective view of the flashlight of the present invention showing my new design; FIG. 2 is a front side elevational view thereof; FIG. 3 is a back side elevational view thereof; FIG. 4 is a side elevational view thereof; FIG. 5 is another side elevational view thereof; FIG. 6 is a top plan view thereof; and, FIG. 7 is a bottom plan view thereof. The broken line showing represents unclaimed portions of the article and forms no part of the claimed design.

**1 Claim, 6 Drawing Sheets**



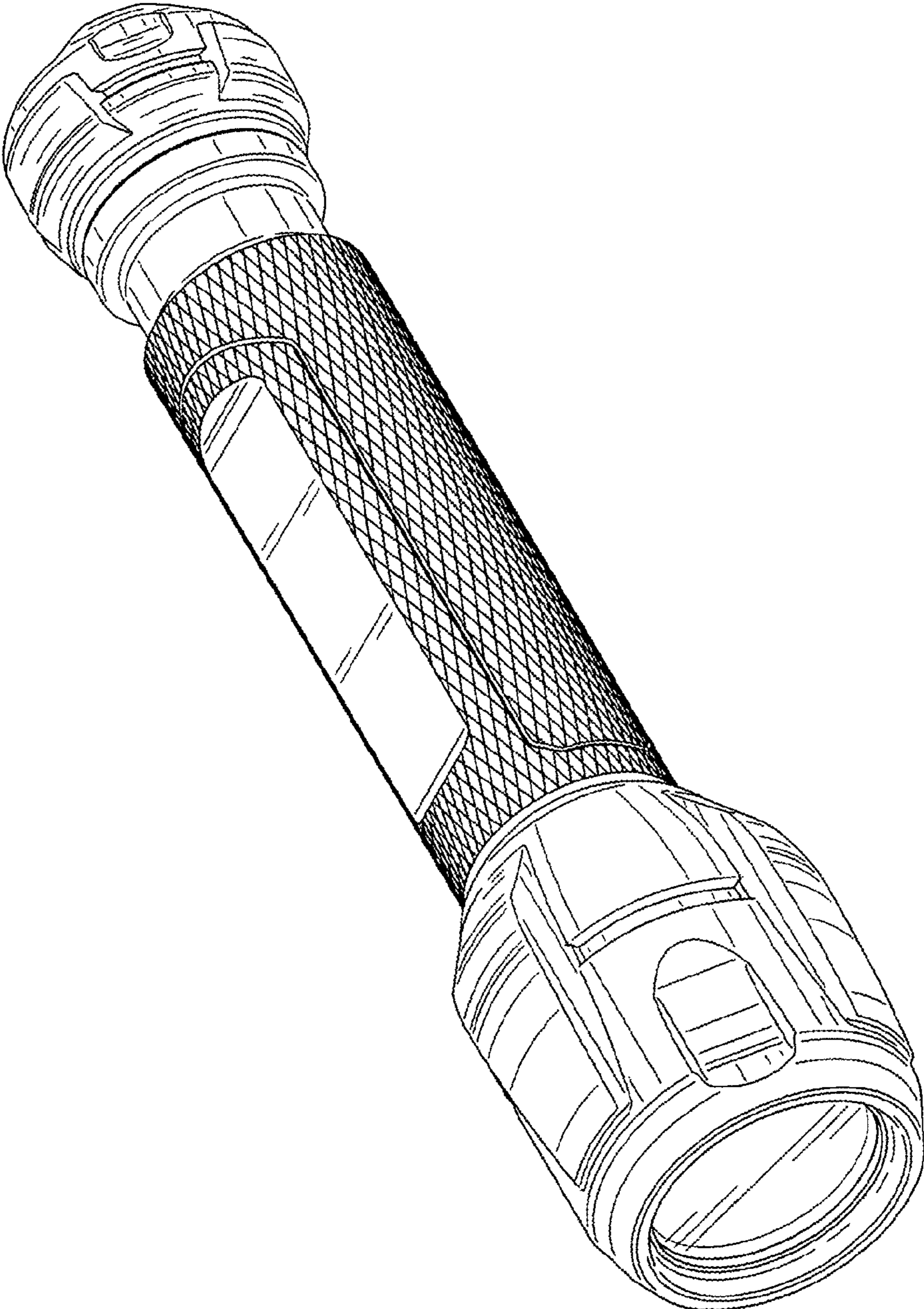


FIG. 1

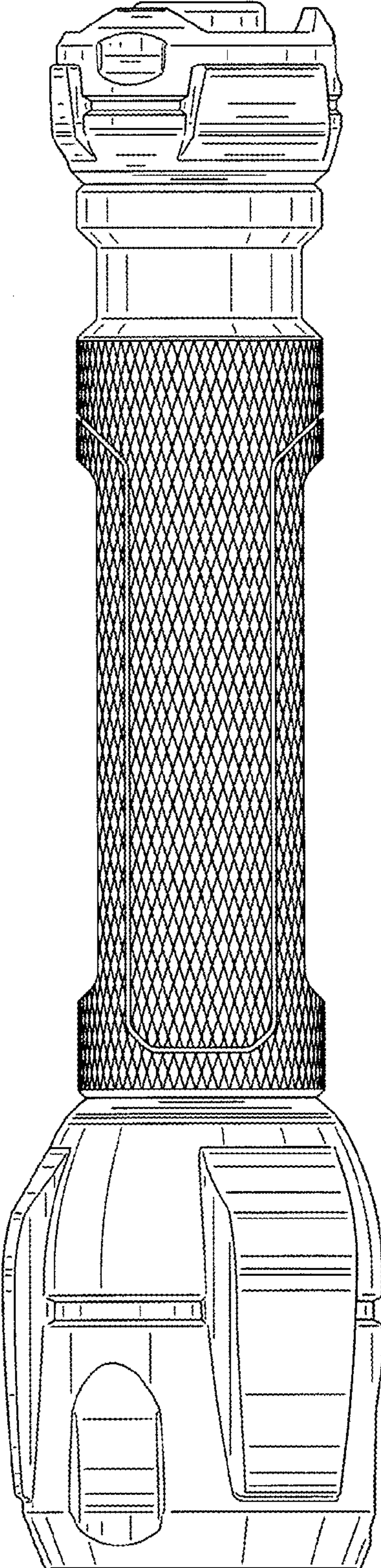


FIG. 2

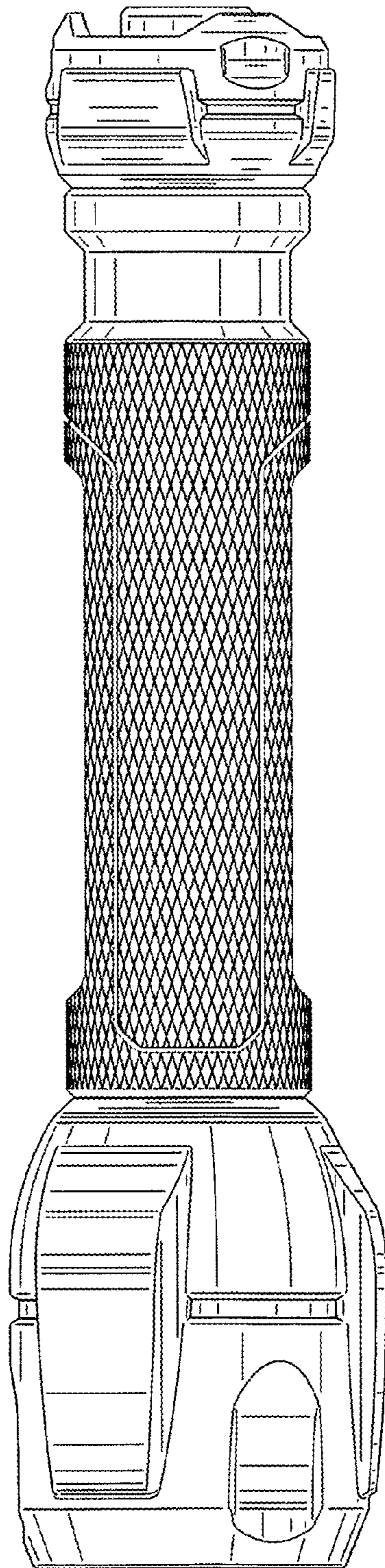


FIG. 3

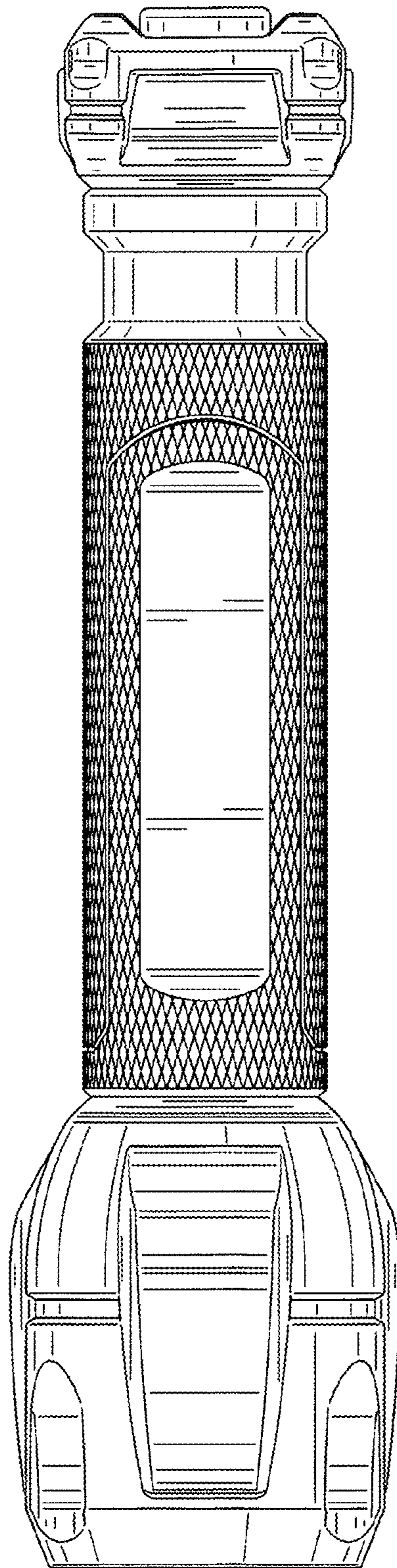


FIG. 4

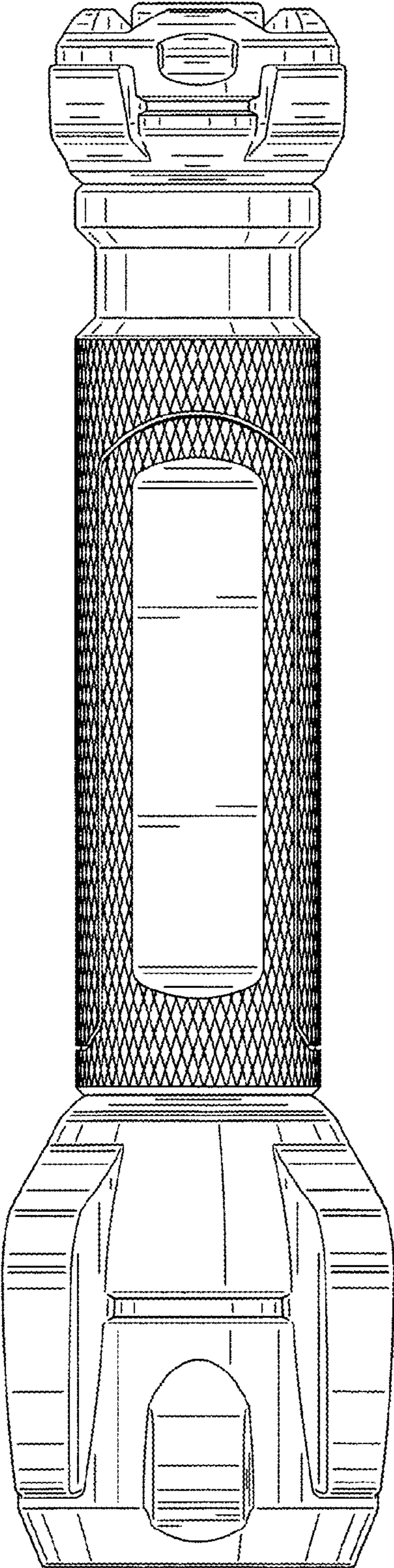


FIG. 5

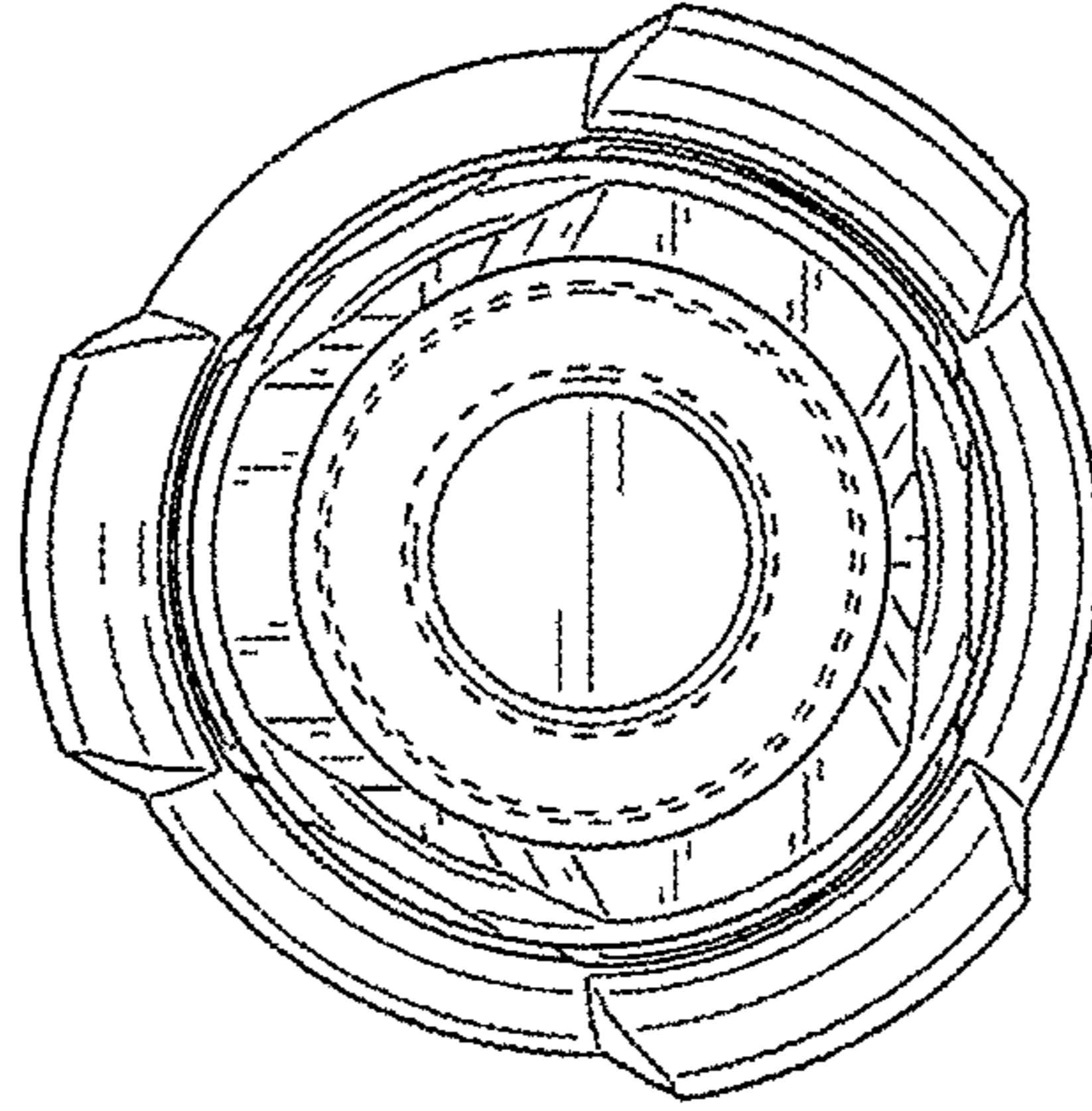


FIG. 6

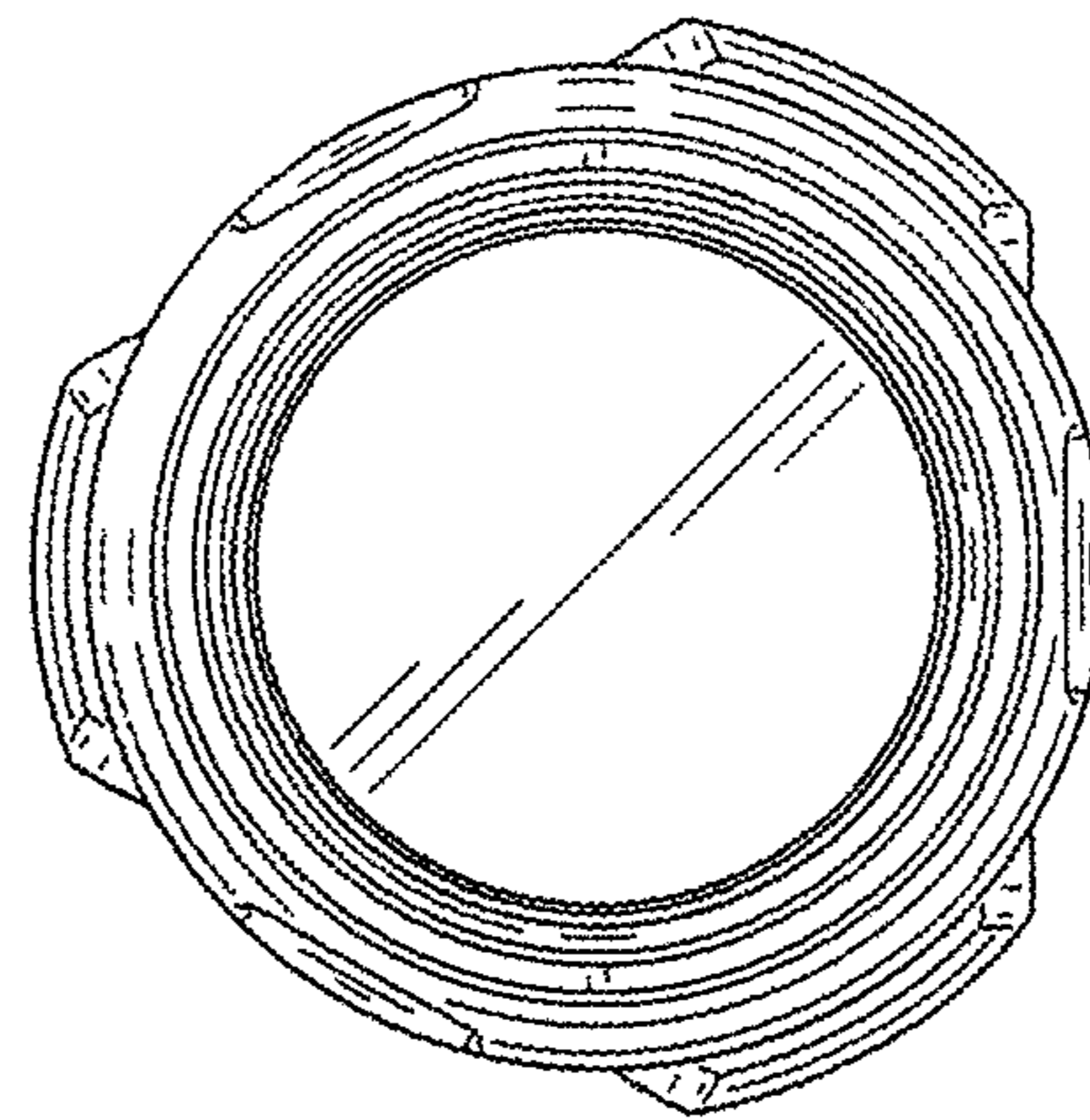


FIG. 7