



US00D743598S

(12) **United States Design Patent**  
**Inskeep**

(10) **Patent No.:** **US D743,598 S**

(45) **Date of Patent:** **\*\* Nov. 17, 2015**

(54) **MULTI ILLUMINATION POINT  
FLASHLIGHT HEADLAMP**

(71) Applicant: **Mathew Inskeep**, Highland Beach, FL  
(US)

(72) Inventor: **Mathew Inskeep**, Highland Beach, FL  
(US)

(\*\*) Term: **14 Years**

(21) Appl. No.: **29/486,808**

(22) Filed: **Apr. 2, 2014**

(51) **LOC (10) Cl.** ..... **26-02**

(52) **U.S. Cl.**  
USPC ..... **D26/39**

(58) **Field of Classification Search**  
USPC ..... D26/37-51, 56-60, 67; 362/103-10,  
362/184, 194-196  
CPC ..... F21L 4/00; F21L 4/022; F21L 4/025;  
F21L 4/027; F21L 7/00; F21L 19/00; F21V  
21/084; F21V 21/0085; F21W 2111/10  
See application file for complete search history.

(56) **References Cited**

**U.S. PATENT DOCUMENTS**

D353,012 S \* 11/1994 Mihavetz ..... D26/39  
D421,142 S \* 2/2000 Bayat ..... D26/42  
D612,524 S \* 3/2010 Booher ..... D26/39  
D615,678 S \* 5/2010 DeBrunner ..... D26/39

D620,160 S \* 7/2010 Kang ..... D26/39  
D621,079 S \* 8/2010 Lau ..... D26/39  
D624,221 S \* 9/2010 DeBrunner ..... D26/39  
8,038,311 B2 \* 10/2011 Lau ..... F21V 19/02  
362/105  
8,066,396 B2 \* 11/2011 Hunt ..... F21L 4/00  
362/105  
D713,575 S \* 9/2014 Ferguson ..... D26/39  
D719,286 S \* 12/2014 Inskeep ..... D26/49  
2008/0205036 A1 \* 8/2008 Tarter ..... F21L 4/04  
362/105

\* cited by examiner

*Primary Examiner* — Sandra Morris

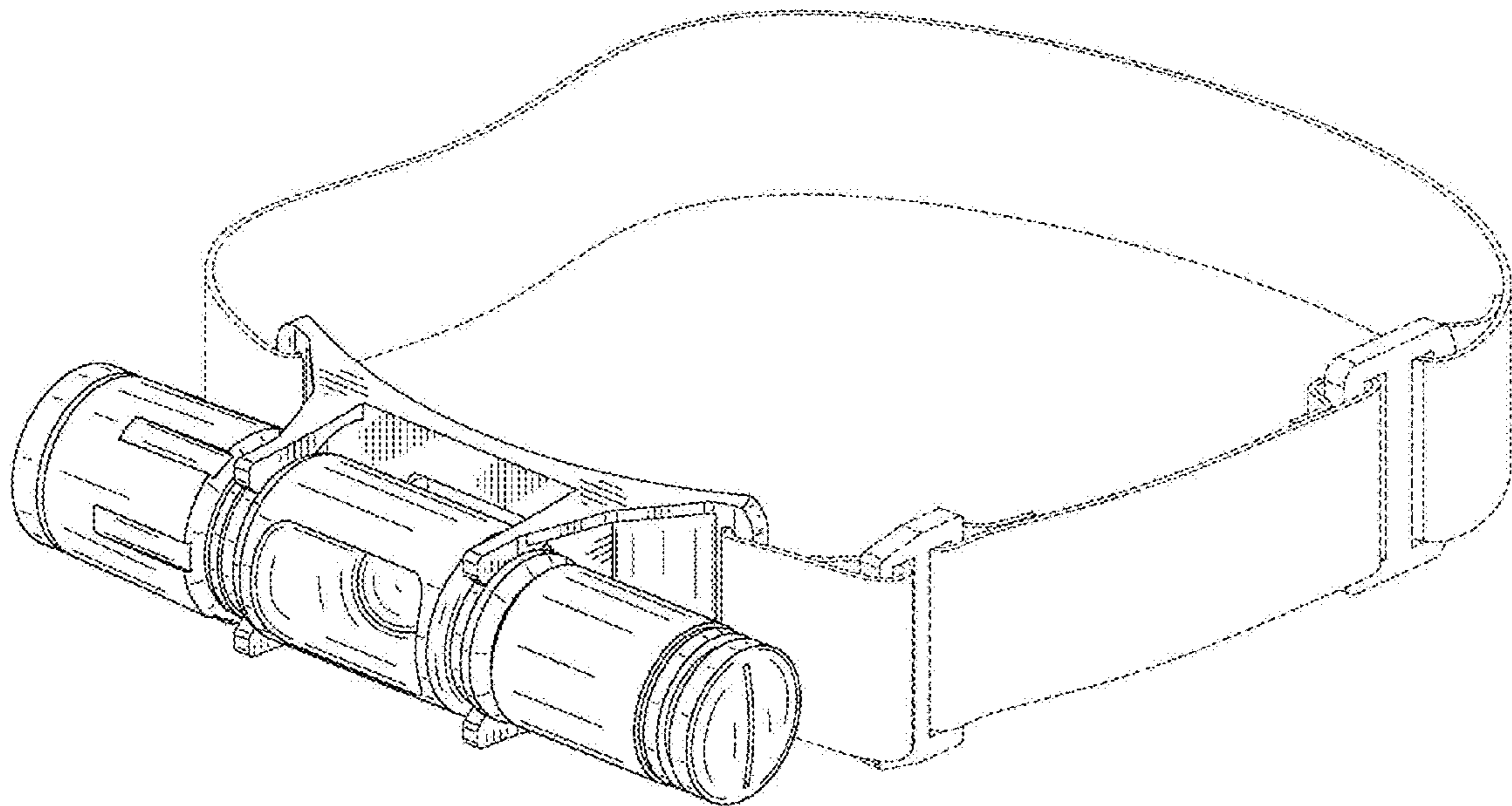
(57) **CLAIM**

The ornamental design for a multi illumination point flash-  
light headlamp, as shown and described.

**DESCRIPTION**

FIG. 1 is a top perspective view of the multi illumination point  
flashlight headlamp showing my new design.  
FIG. 2 is a bottom perspective view thereof.  
FIG. 3 is a front view thereof.  
FIG. 4 is a back view thereof.  
FIG. 5 is left side view thereof.  
FIG. 6 is a right side view thereof.  
FIG. 7 is a bottom view thereof.  
FIG. 8 is a perspective view of the multi illumination point  
flashlight headlamp removed from its holster; and,  
FIG. 9 is a back perspective view of the multi illumination  
point flashlight headlamp removed from its holster.

**1 Claim, 7 Drawing Sheets**



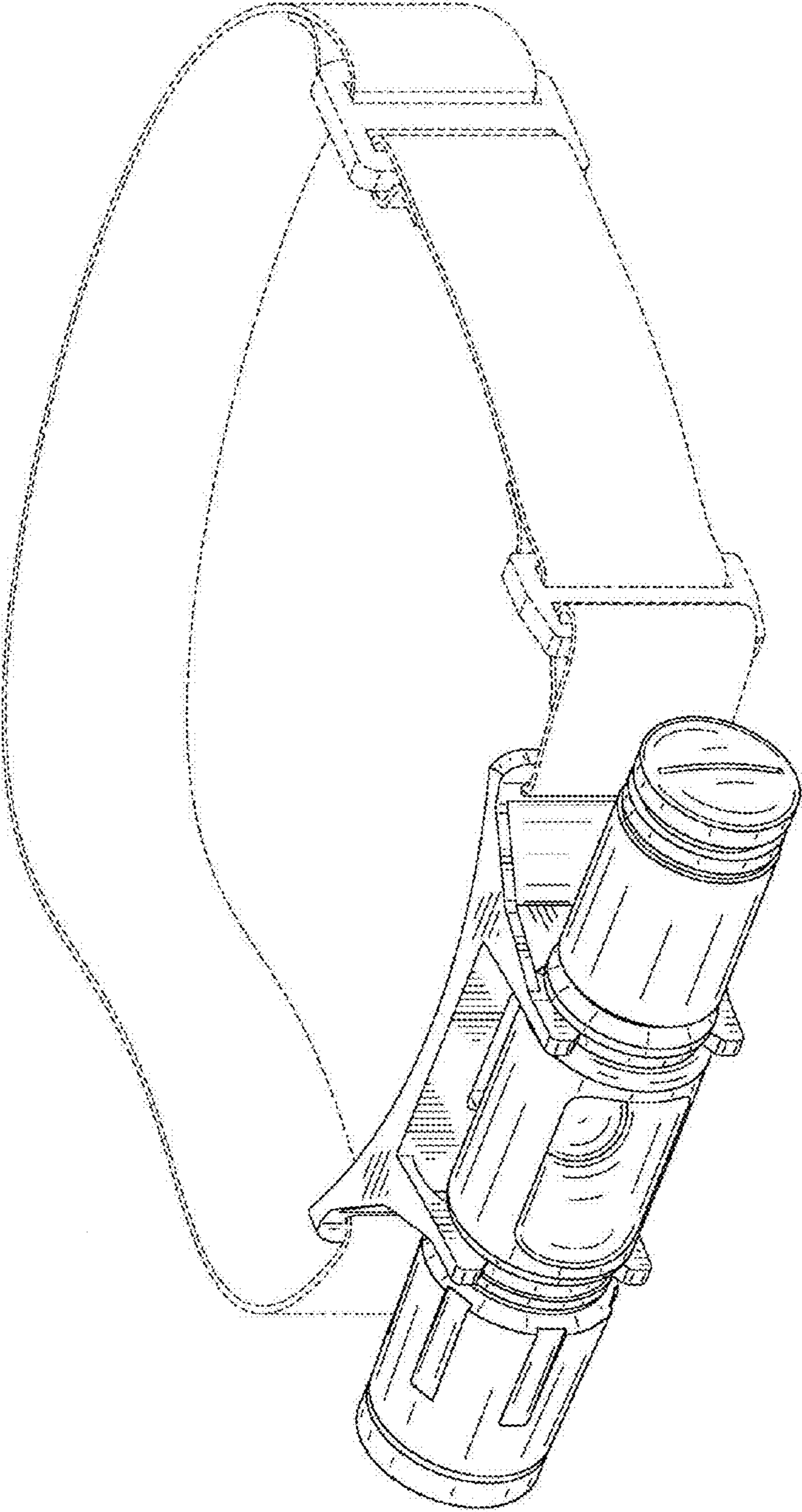


FIG. 1

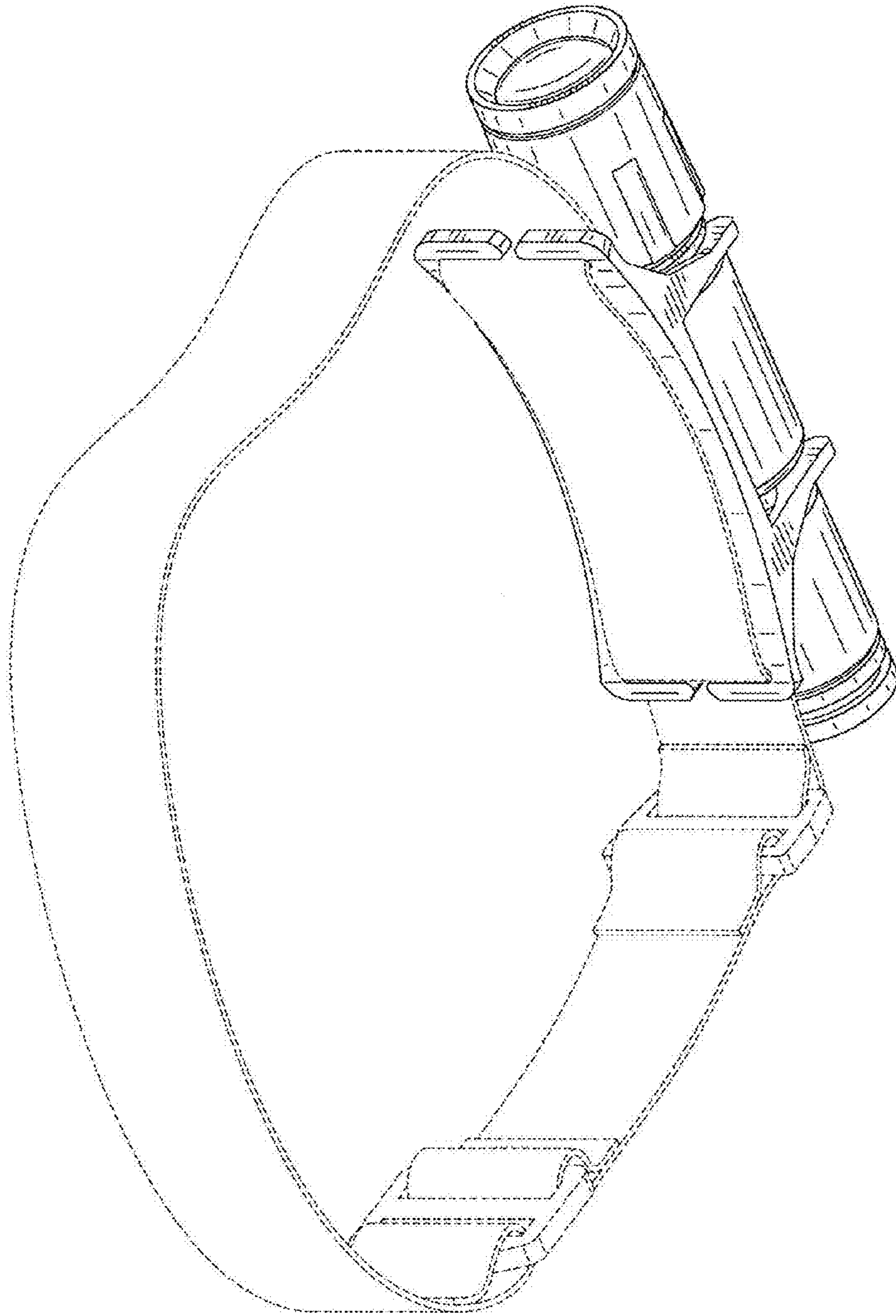


FIG. 2

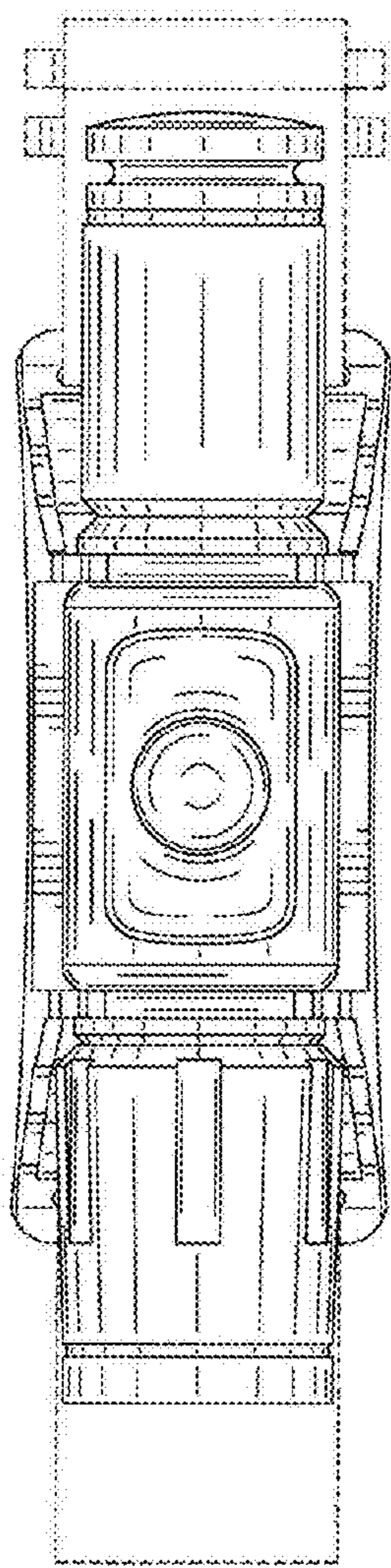


FIG. 3

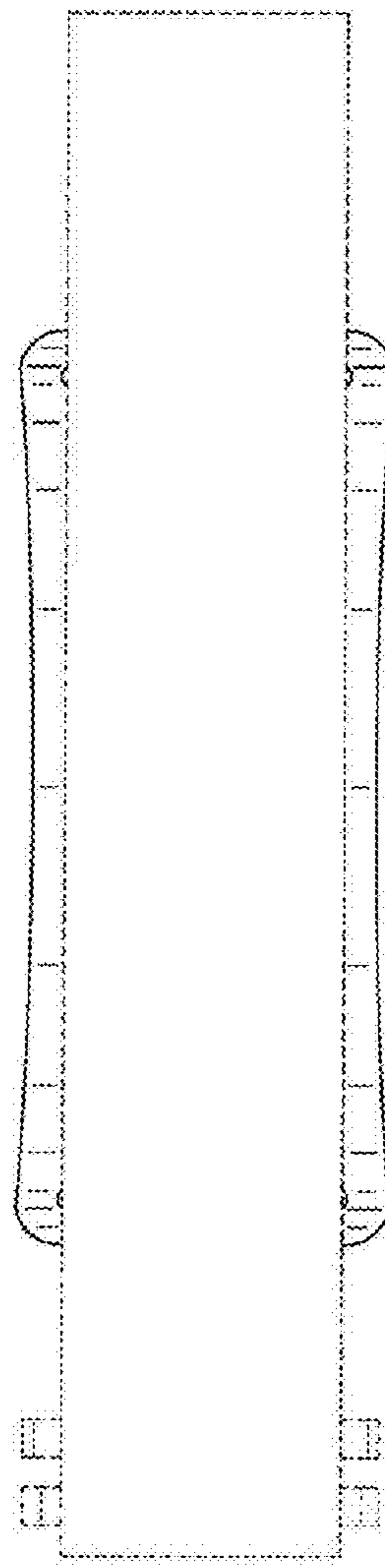


FIG. 4

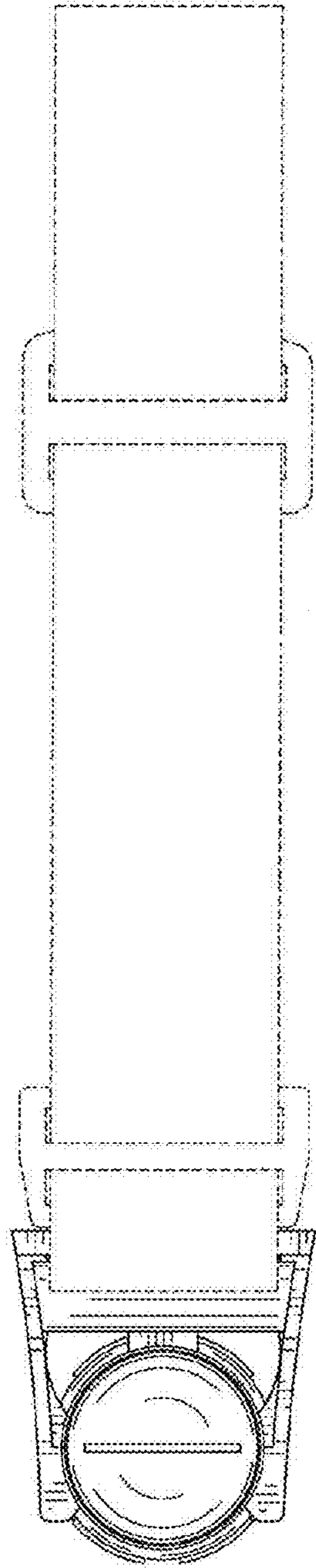


FIG. 5

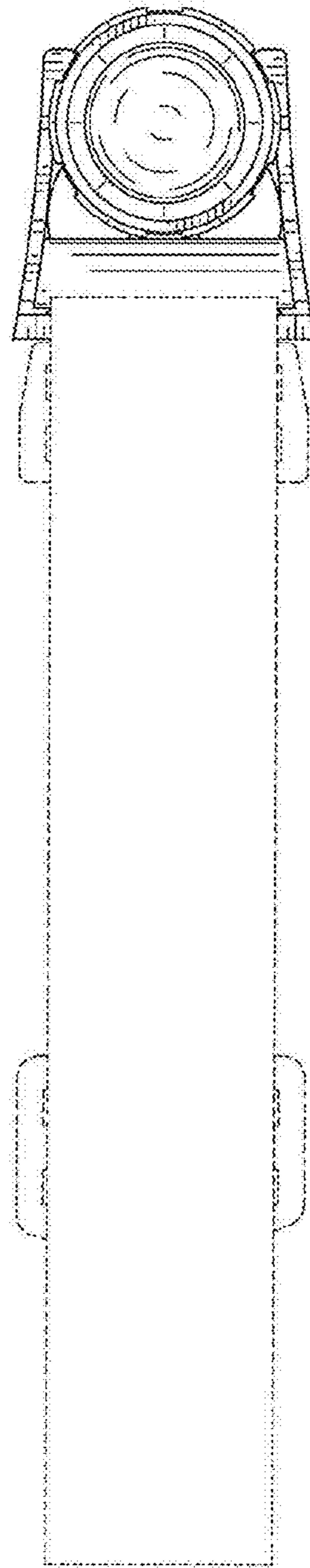


FIG. 6

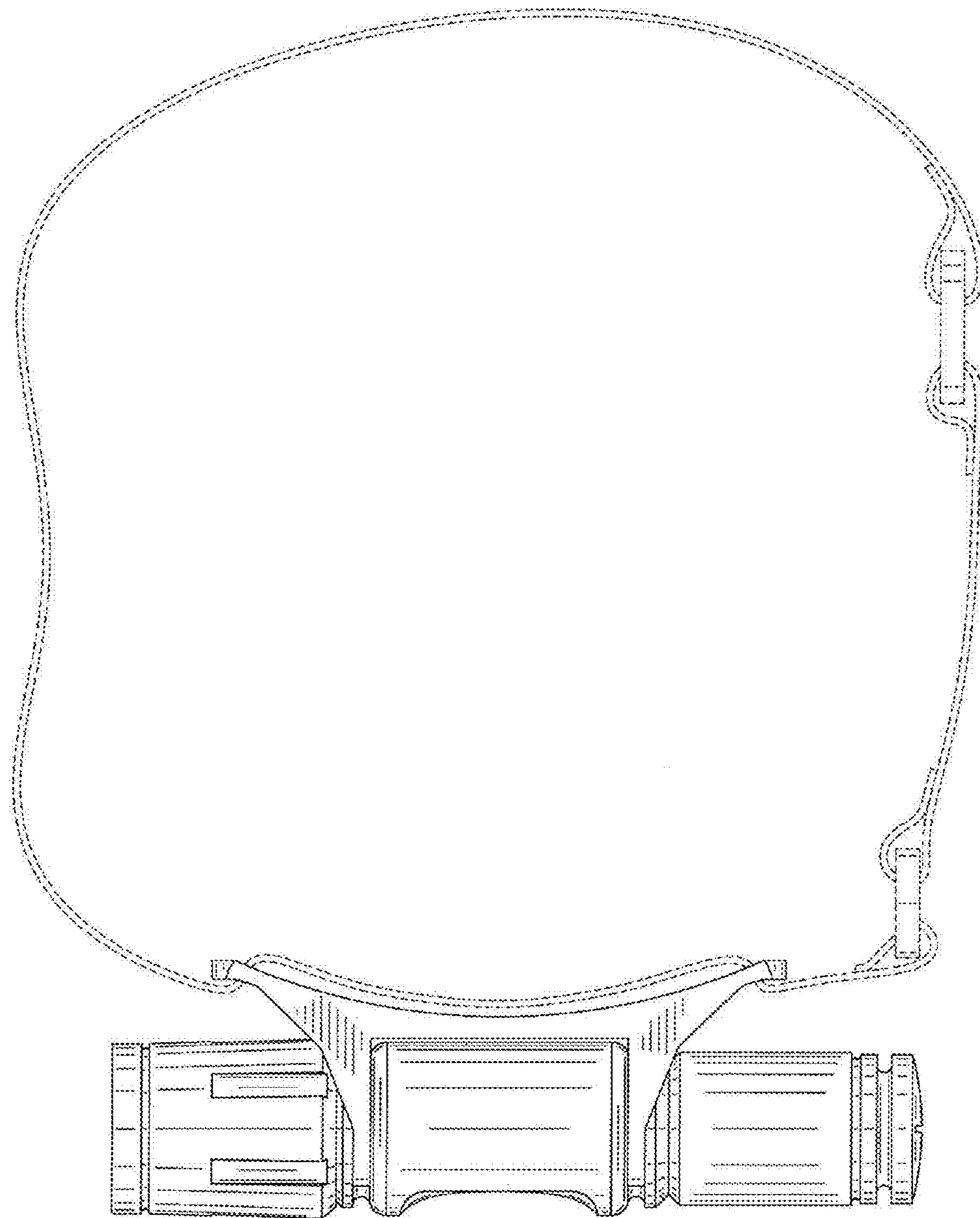


FIG. 7

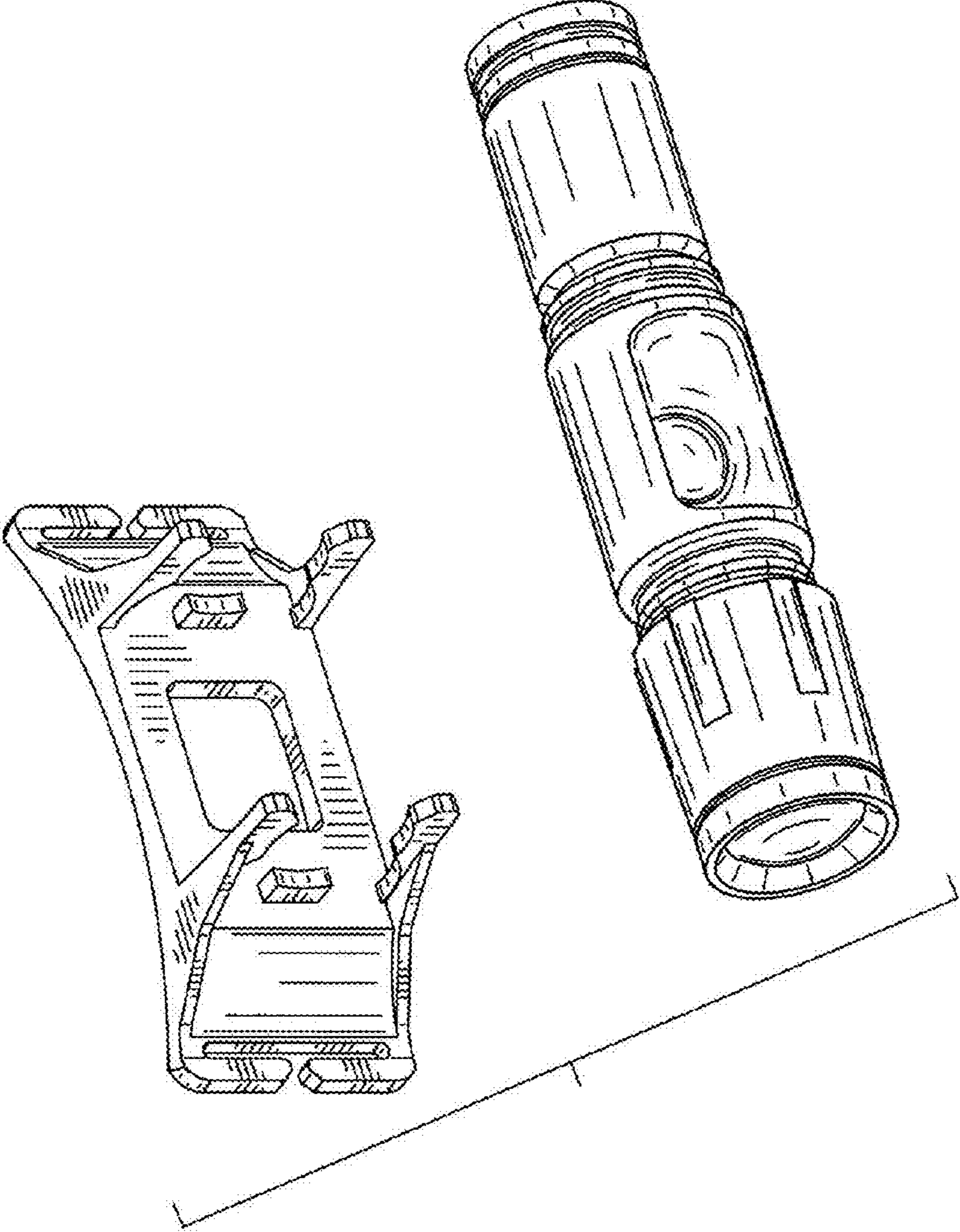


FIG. 8

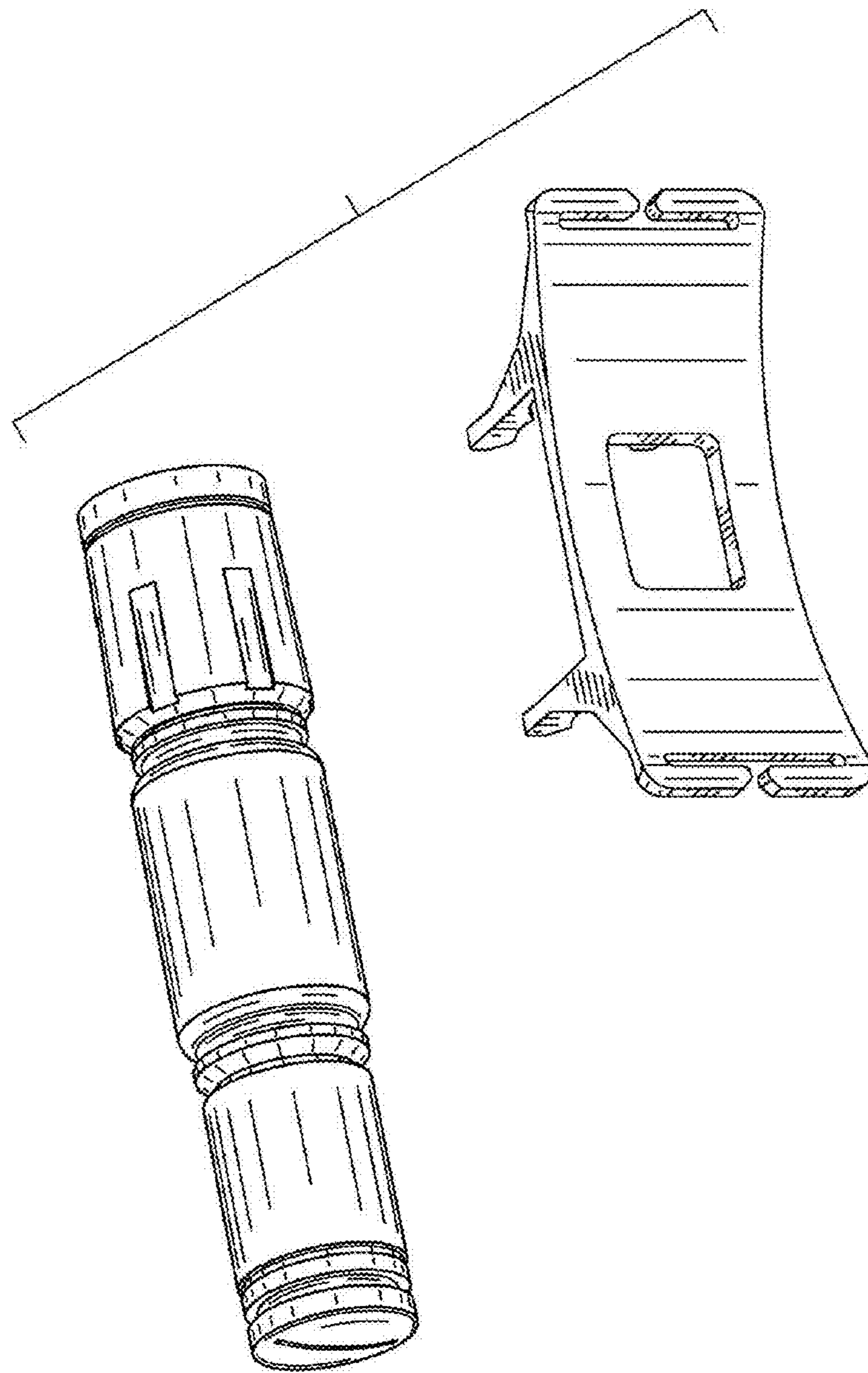


FIG. 9