



US00D743596S

(12) **United States Design Patent**
Ormsbee et al.

(10) **Patent No.:** **US D743,596 S**

(45) **Date of Patent:** **** Nov. 17, 2015**

(54) **HEADLAMP**

(71) Applicant: **Nite Ize, Inc.**, Boulder, CO (US)

(72) Inventors: **Bowden Ormsbee**, Longmont, CO (US);
Richard N. Case, Boulder, CO (US);
Michael C. Boyd, Boulder, CO (US)

(73) Assignee: **Nite Ize, Inc.**, Boulder, CO (US)

(**) Term: **14 Years**

(21) Appl. No.: **29/478,521**

(22) Filed: **Jan. 6, 2014**

(51) **LOC (10) Cl.** **26-02**

(52) **U.S. Cl.**
USPC **D26/39**

(58) **Field of Classification Search**
USPC D26/39, 37, 38, 51, 46; 362/157, 158,
362/183, 184, 194-196, 202-208, 253, 103,
362/105, 108, 106
CPC F21V 33/00; F21V 14/025; F21V 21/406;
F21Y 2101/02; F21L 17/00; F21L 13/08
See application file for complete search history.

D477,680 S	7/2003	Petzl
6,712,485 B2	3/2004	Matthews
D492,052 S	6/2004	Schnell
D500,377 S	12/2004	Yamamoto et al.
6,877,875 B2	4/2005	Yu et al.
6,896,389 B1	5/2005	Paul
6,908,208 B1	6/2005	Hyde et al.
6,923,551 B2	8/2005	Galli
6,953,260 B1	10/2005	Allen
7,048,407 B2	5/2006	Kumthampinij et al.
7,077,302 B2	7/2006	Chuang
D531,335 S	10/2006	Garrity
7,125,139 B2	10/2006	Kumthampinij et al.
D544,621 S	6/2007	Kim
7,278,764 B2	10/2007	Kim
7,284,875 B2	10/2007	Kim
7,293,898 B2	11/2007	Kumthampinij et al.
7,303,302 B2	12/2007	Harris
D560,298 S	1/2008	Spartano et al.

(Continued)

Primary Examiner — Ian Simmons

Assistant Examiner — Carissa C Fitts

(74) *Attorney, Agent, or Firm* — Haynes and Boone, LLP

(57) **CLAIM**

We claim the ornamental design for a headlamp, as shown and described.

(56) **References Cited**

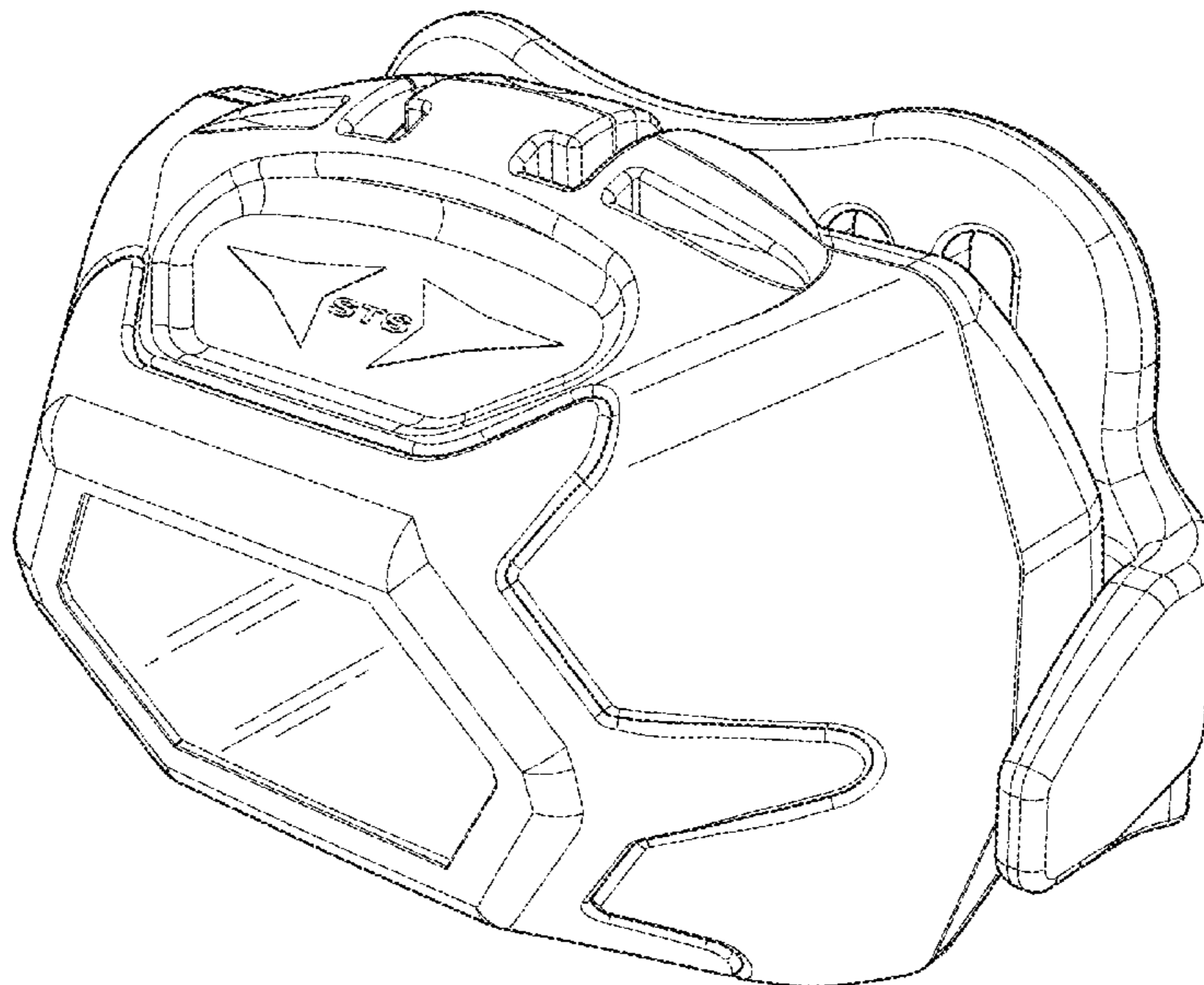
U.S. PATENT DOCUMENTS

5,386,592 A	2/1995	Checkeroski
5,436,810 A	7/1995	Sutherland et al.
5,541,816 A	7/1996	Miserendino
5,608,919 A	3/1997	Case
5,641,220 A	6/1997	Sutherland et al.
5,696,424 A	12/1997	Coushaine
5,800,042 A	9/1998	Blank
D405,202 S	2/1999	Fattori et al.
D470,615 S	2/2003	Janice et al.
6,547,415 B1	4/2003	Matthews

DESCRIPTION

FIG. 1 is a front perspective view of a headlamp;
FIG. 2 is a rear perspective view of the headlamp of FIG. 1;
FIG. 3 is a front view of the headlamp of FIG. 1;
FIG. 4 is a rear view of the headlamp of FIG. 1;
FIG. 5 is a top view of the headlamp of FIG. 1;
FIG. 6 is a bottom view of the headlamp of FIG. 1;
FIG. 7 is a left view of the headlamp of FIG. 1; and,
FIG. 8 is a right view of the headlamp of FIG. 1.

1 Claim, 5 Drawing Sheets



(56)

References Cited

U.S. PATENT DOCUMENTS

7,370,991	B1	5/2008	Ellis-Fant		8,001,623	B2	8/2011	Gertsch et al.	
D573,736	S *	7/2008	Poon	D26/39	D648,468	S	11/2011	Gibson	
7,478,918	B2	1/2009	Petzl et al.		D649,272	S	11/2011	Araujo et al.	
7,490,949	B2	2/2009	Medinis		8,066,396	B2	11/2011	Hunt	
7,513,660	B2	4/2009	Spartano et al.		D650,103	S *	12/2011	Lee	D26/39
7,549,763	B2	6/2009	Kim et al.		D658,323	S *	4/2012	Freschl	D26/39
7,568,812	B1	8/2009	Kumthampinij et al.		8,147,083	B2	4/2012	Uke	
D603,538	S *	11/2009	Shiu	D26/39	8,157,401	B2	4/2012	Lau	
D603,539	S *	11/2009	Shiu	D26/39	8,172,430	B2	5/2012	Alessio	
7,635,195	B2	12/2009	Tarter		8,177,384	B2	5/2012	Boulan	
7,695,156	B2	4/2010	Hurwitz		8,201,961	B2	6/2012	Lau	
D615,680	S	5/2010	Kim		8,210,703	B2	7/2012	Wu	
7,722,205	B2	5/2010	Kim		8,292,450	B2	10/2012	Kim	
7,815,342	B2	10/2010	Medinis		8,297,779	B2	10/2012	Martin et al.	
7,918,578	B2	4/2011	Spartano et al.		D672,893	S *	12/2012	Inskeep	D26/39
7,922,349	B2	4/2011	Hunnewell et al.		8,348,448	B2	1/2013	Orozco et al.	
					8,371,707	B2	2/2013	Uzar	
					D707,867	S *	6/2014	Kotsis et al.	D26/39
					D712,579	S *	9/2014	Cen et al.	D26/39

* cited by examiner

FIG. 1

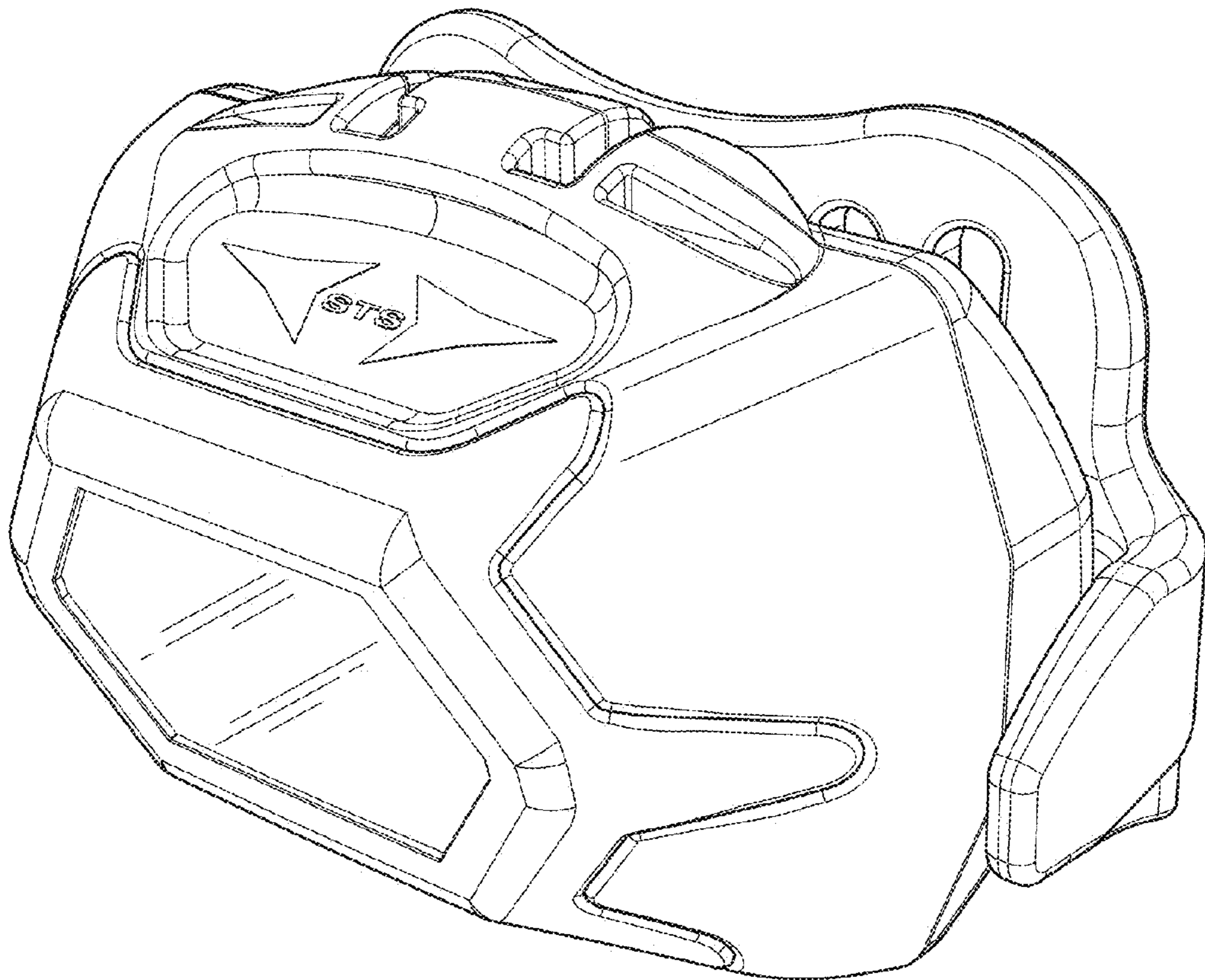
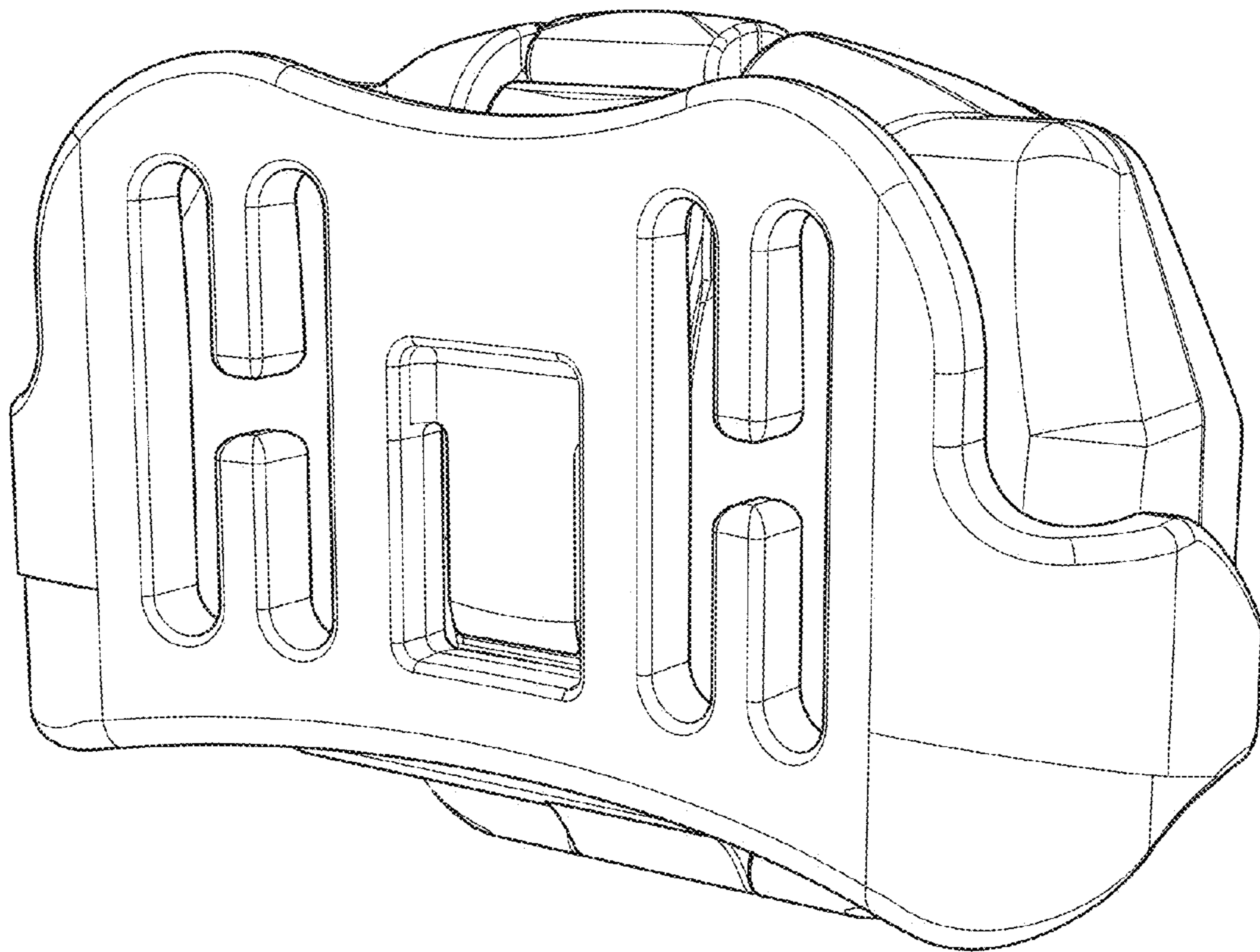


FIG. 2



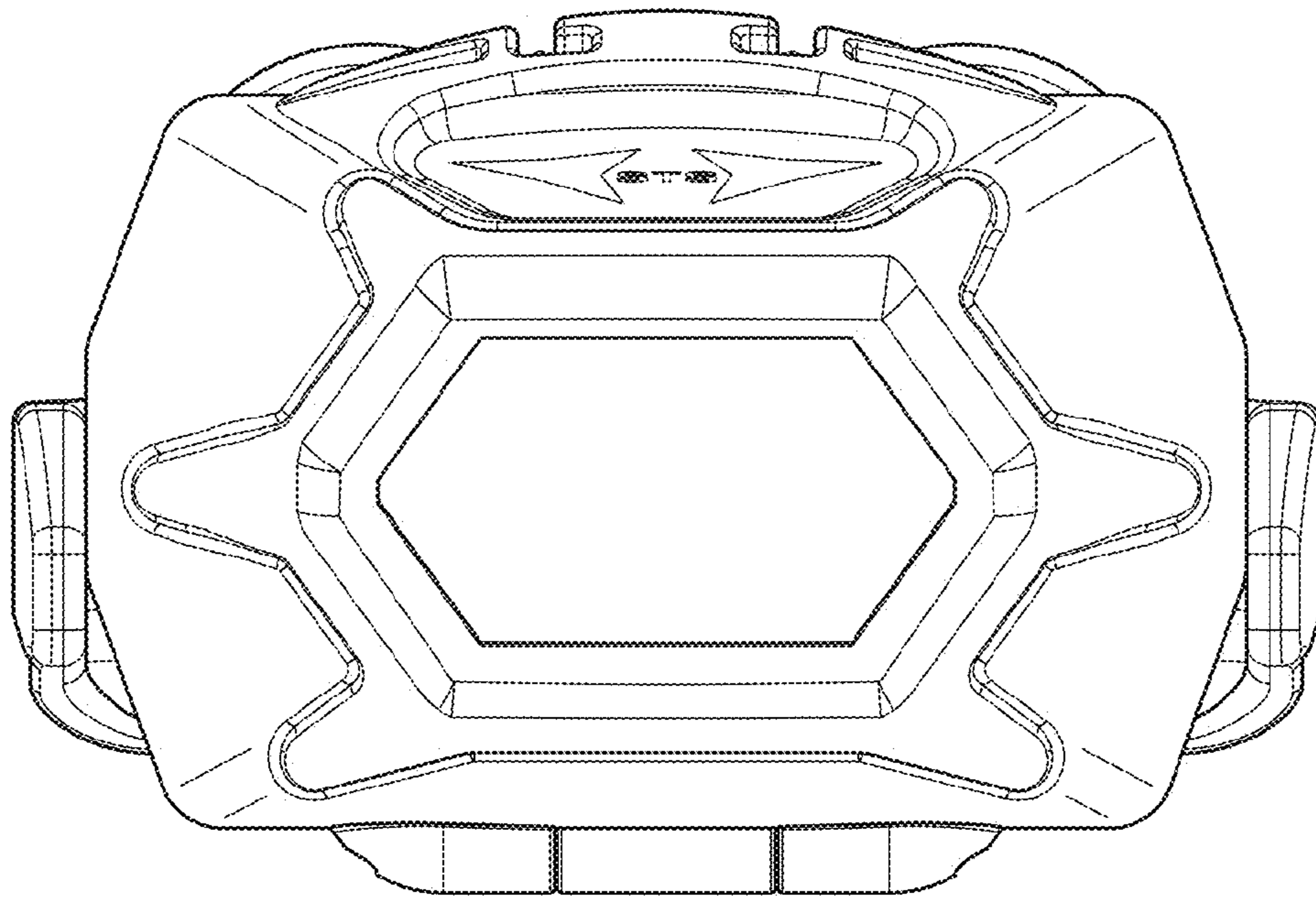


FIG. 3

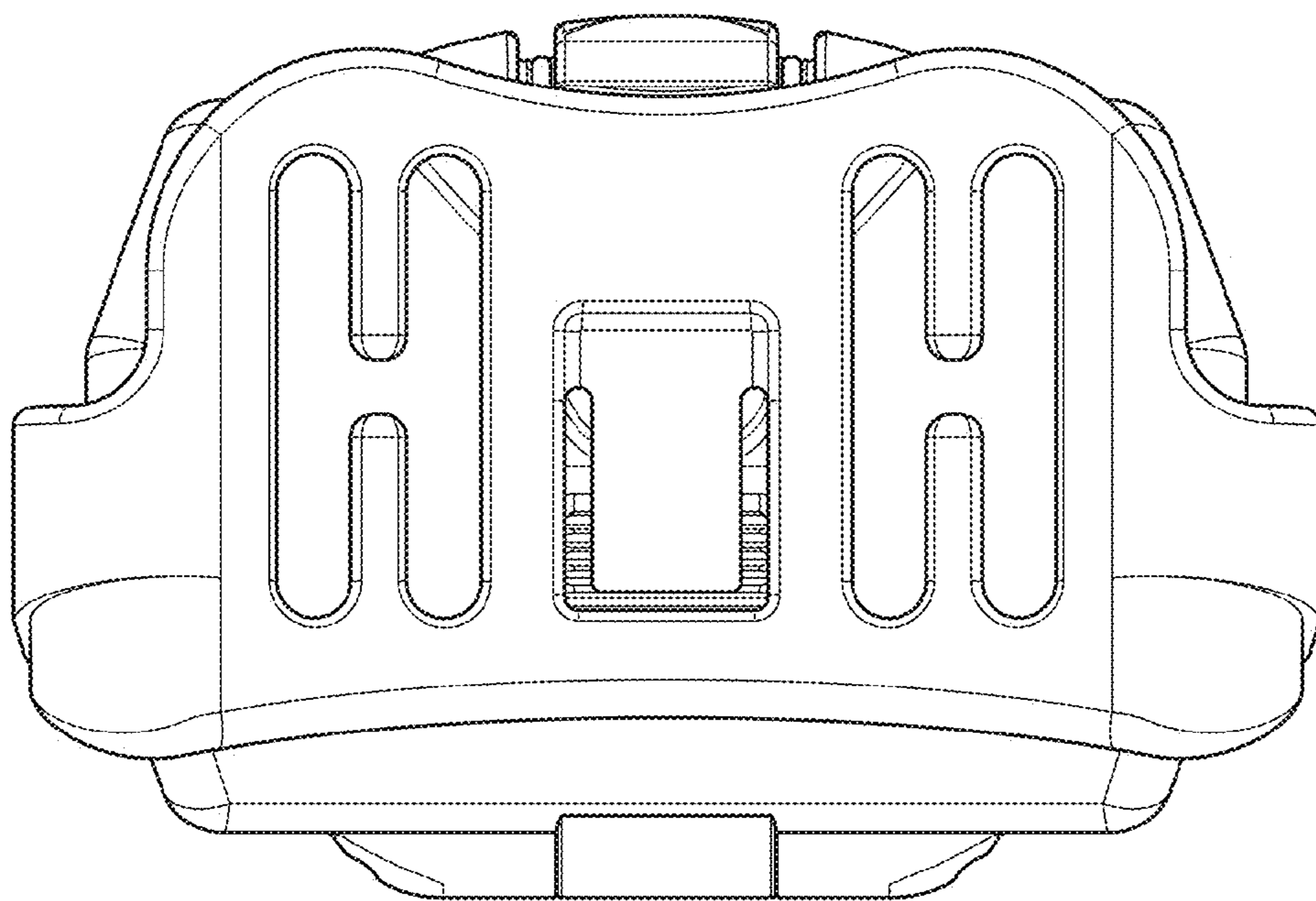


FIG. 4

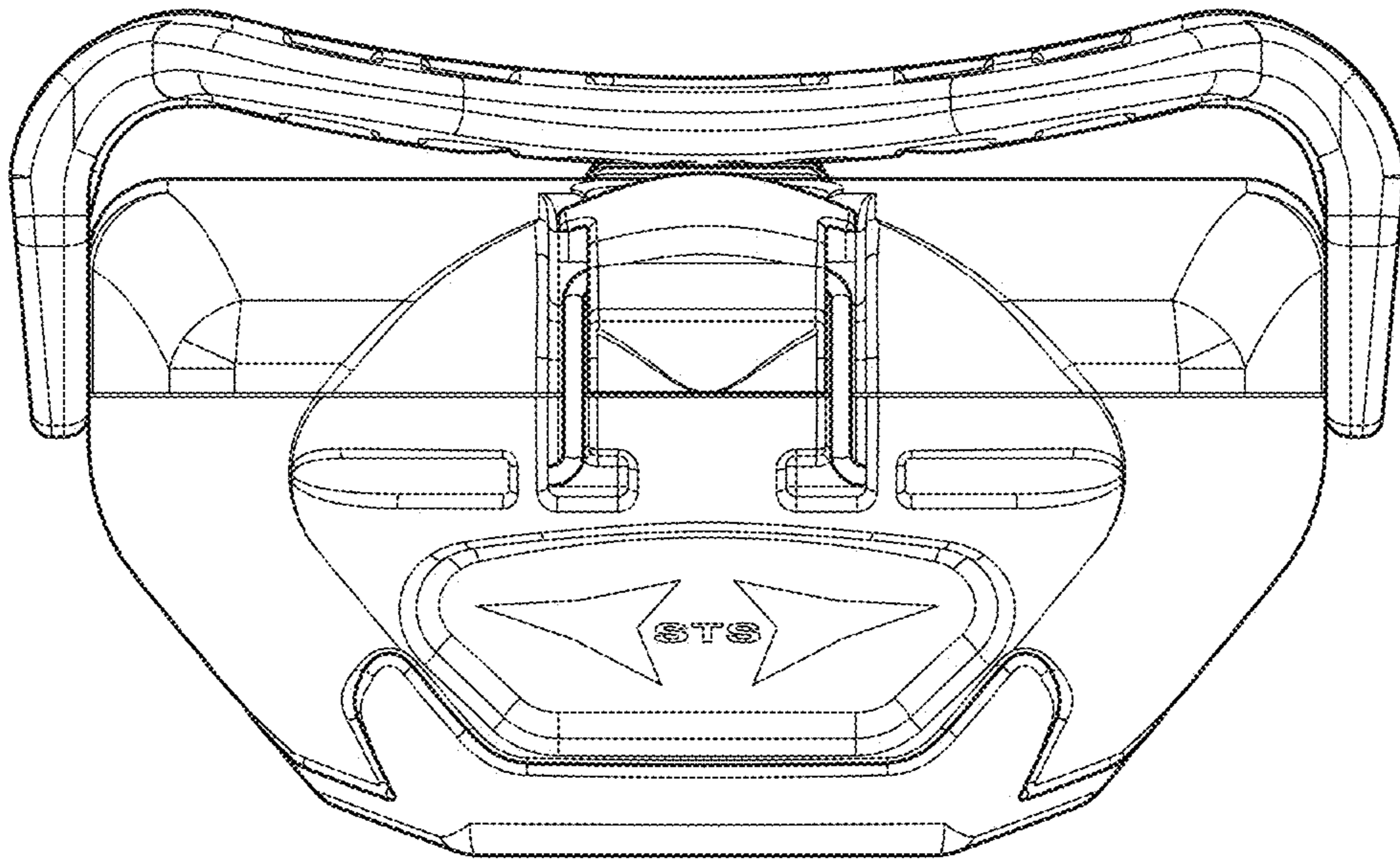


FIG. 5

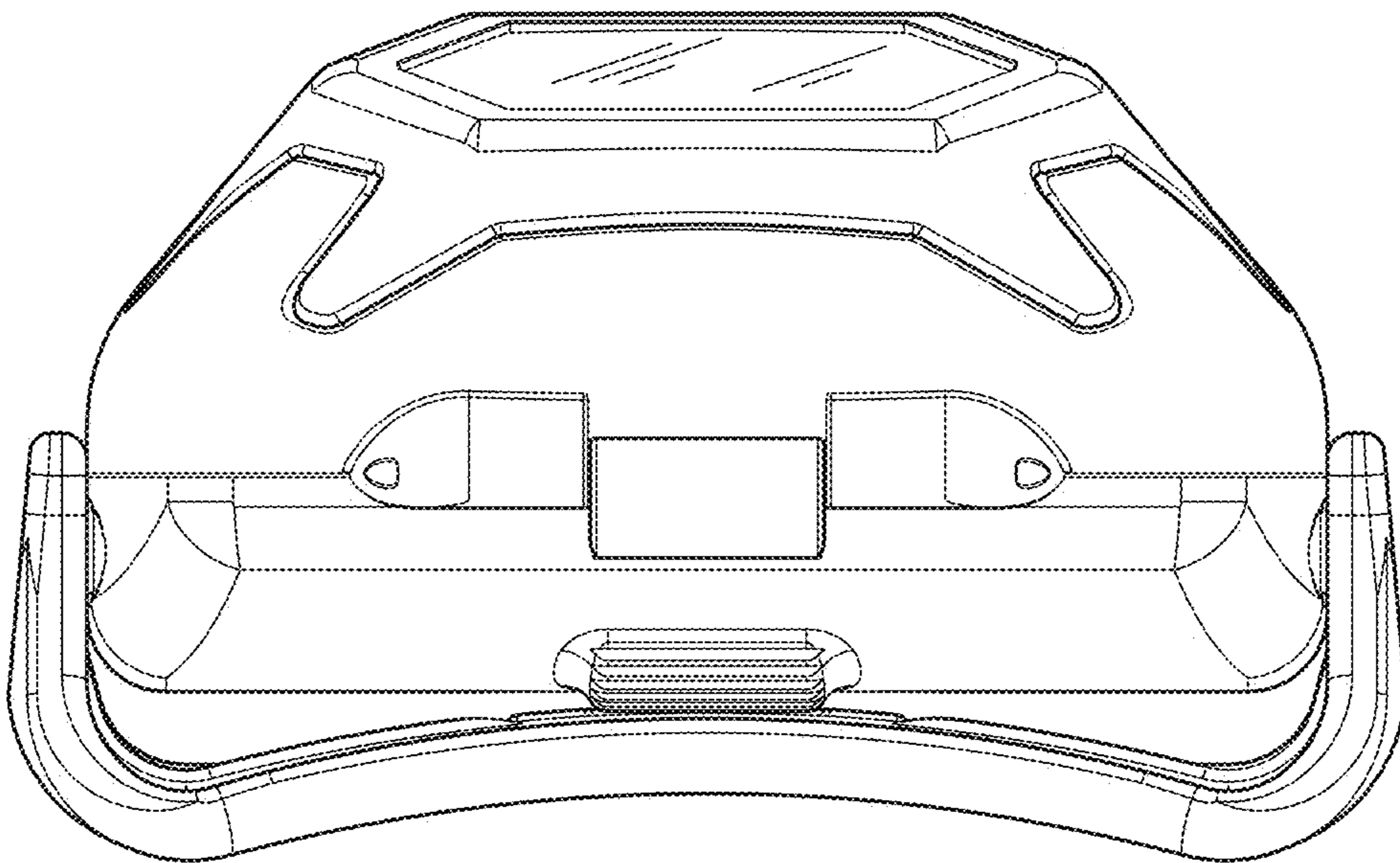


FIG. 6

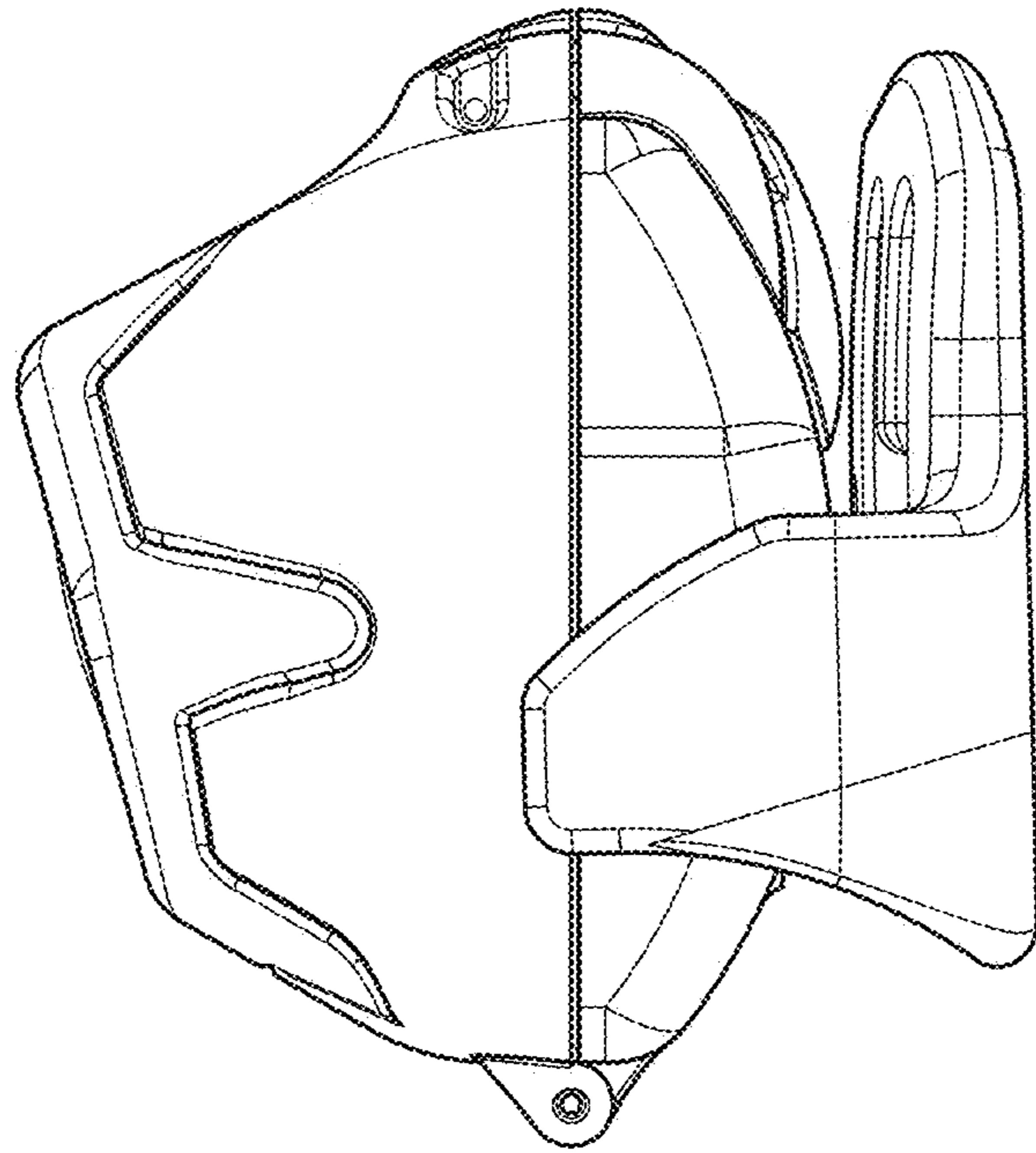


FIG. 7

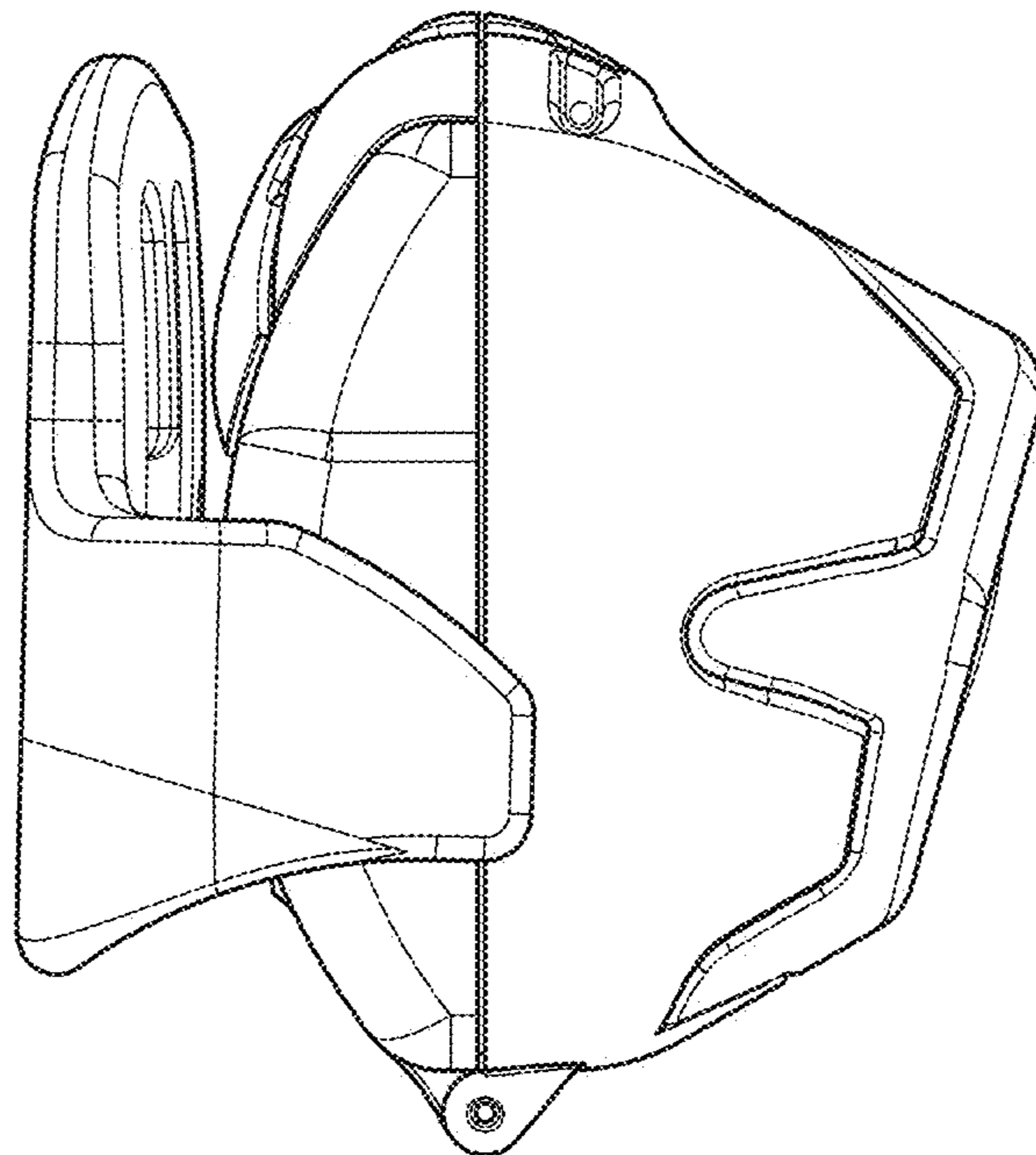


FIG. 8