



US00D743594S

(12) **United States Design Patent**
Scazziga

(10) **Patent No.:** **US D743,594 S**

(45) **Date of Patent:** **** Nov. 17, 2015**

(54) **POCKET TORCH**

(71) Applicant: **PHYNEOS LTD.**, Hong Kong (CN)

(72) Inventor: **Lorenzo Scazziga**, Novaggio (CH)

(73) Assignee: **Phyneos Ltd.**, Hong Kong (CN)

(**) Term: **14 Years**

(21) Appl. No.: **29/493,360**

(22) Filed: **Jun. 9, 2014**

(30) **Foreign Application Priority Data**

Dec. 15, 2013 (WO) DM/082 667

(51) **LOC (10) Cl.** **26-02**

(52) **U.S. Cl.**
USPC **D26/37**

(58) **Field of Classification Search**
USPC D26/37-50; 362/157, 158, 171-174,
362/183-208

See application file for complete search history.

(56) **References Cited**

U.S. PATENT DOCUMENTS

6,135,611 A *	10/2000	Maglica	362/158
D495,076 S *	8/2004	Mandel	D26/37
D518,906 S *	4/2006	Stoddard et al.	D26/37
D531,334 S *	10/2006	Lin	D26/37
D537,181 S *	2/2007	Chen et al.	D26/37

* cited by examiner

Primary Examiner — Marcus Jackson

(74) *Attorney, Agent, or Firm* — Hahn Loeser & Parks LLP;
Brendan E. Clark

(57) **CLAIM**

The ornamental design for a pocket torch, as shown and described.

DESCRIPTION

FIG. 1 is a perspective view of a pocket torch showing my new design;

FIG. 2 is another perspective view thereof;

FIG. 3 is a side view thereof;

FIG. 4 is a top view thereof;

FIG. 5 is a side view thereof;

FIG. 6 is a side view thereof;

FIG. 7 is a side view thereof; and

FIG. 8 is a bottom view thereof.

FIG. 9 is a perspective view of a second embodiment thereof;

FIG. 10 is another perspective view thereof;

FIG. 11 is a side elevational view thereof;

FIG. 12 is a side elevational view thereof;

FIG. 13 is a side elevational view thereof;

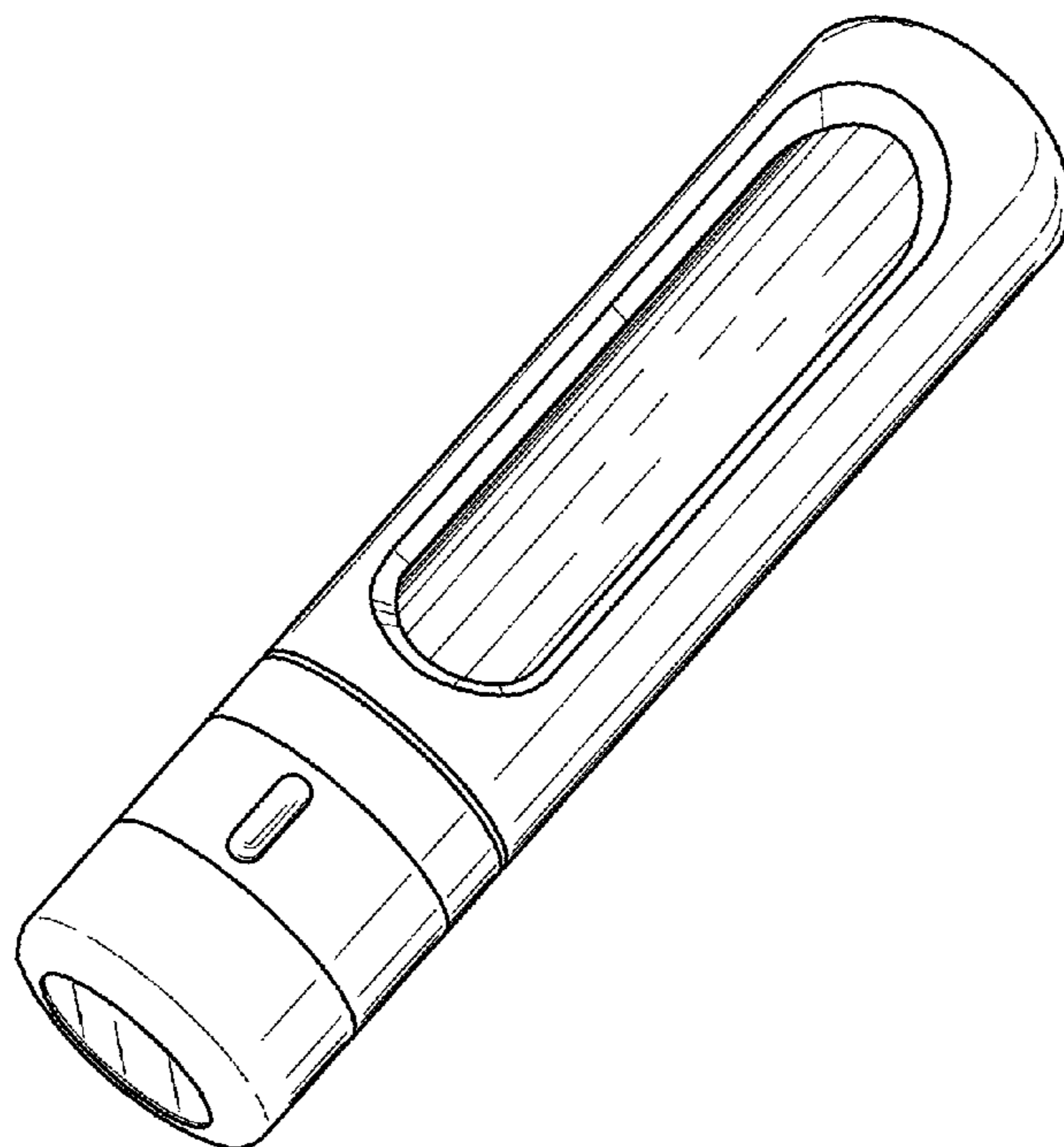
FIG. 14 is a side elevational view thereof;

FIG. 15 is a top plan view thereof; and,

FIG. 16 is a bottom plan view thereof.

The broken line showing of the light portion is included for the purpose of illustrating only and forms no part of the claimed design.

1 Claim, 7 Drawing Sheets



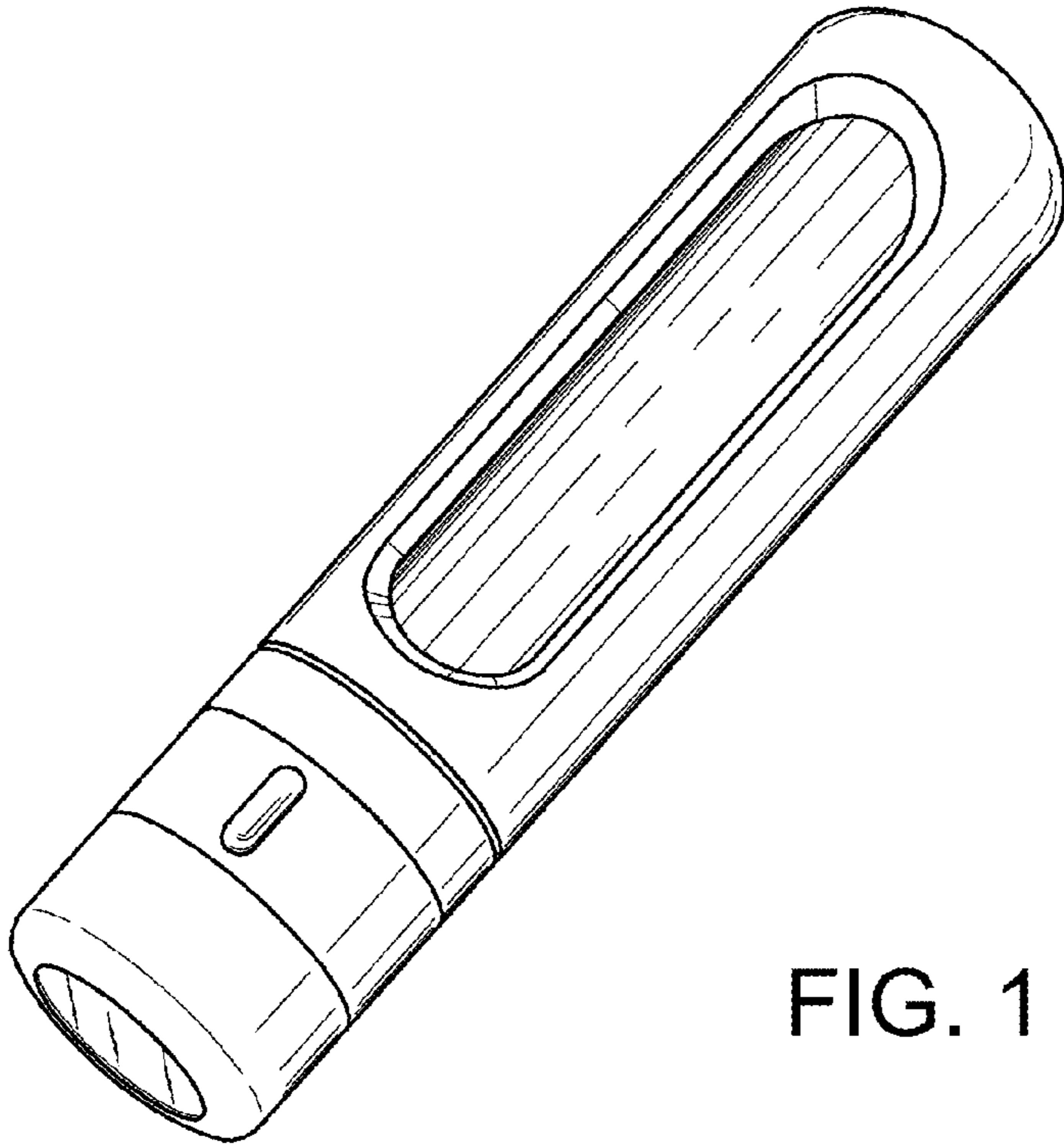


FIG. 1

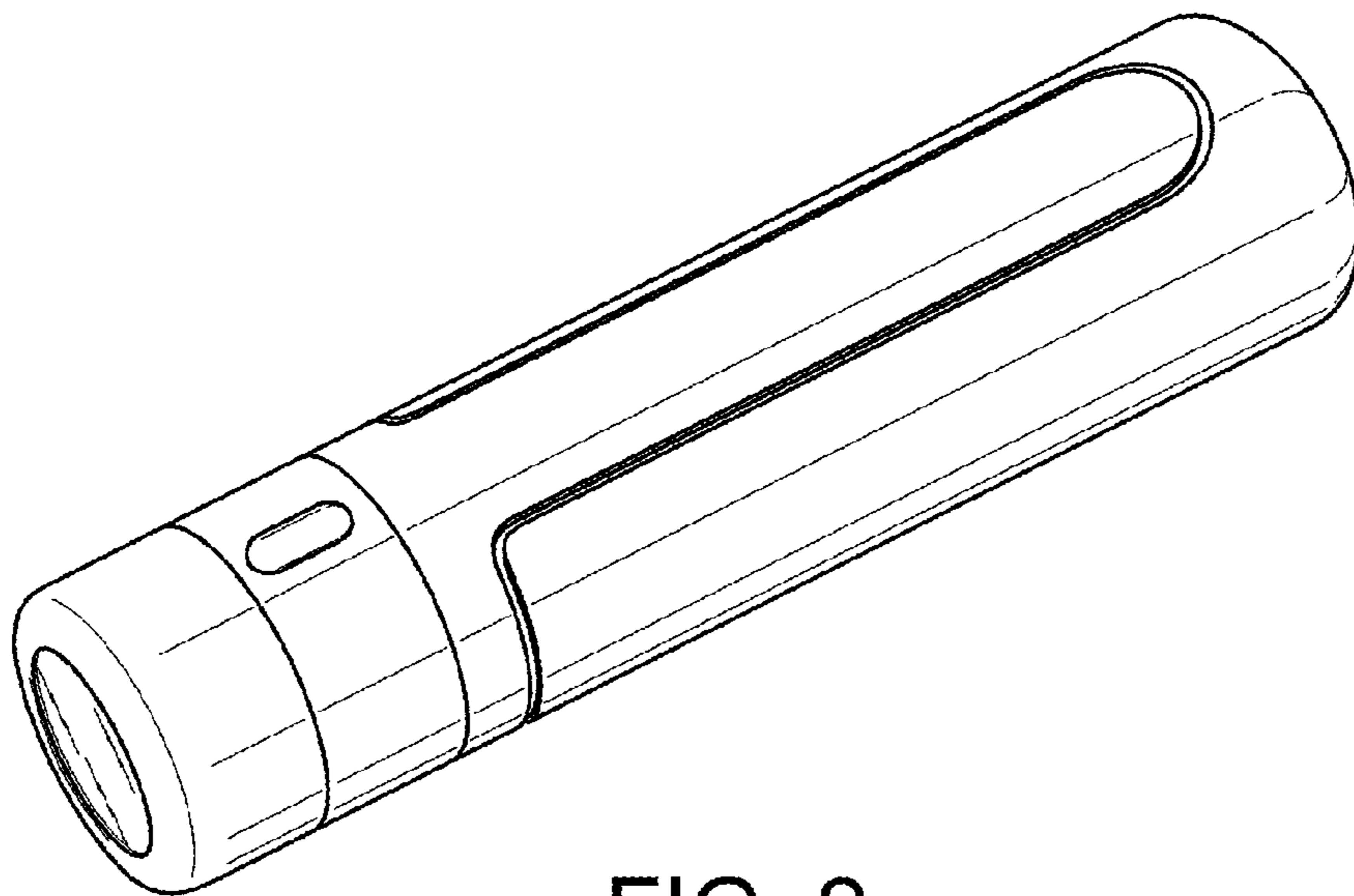


FIG. 2

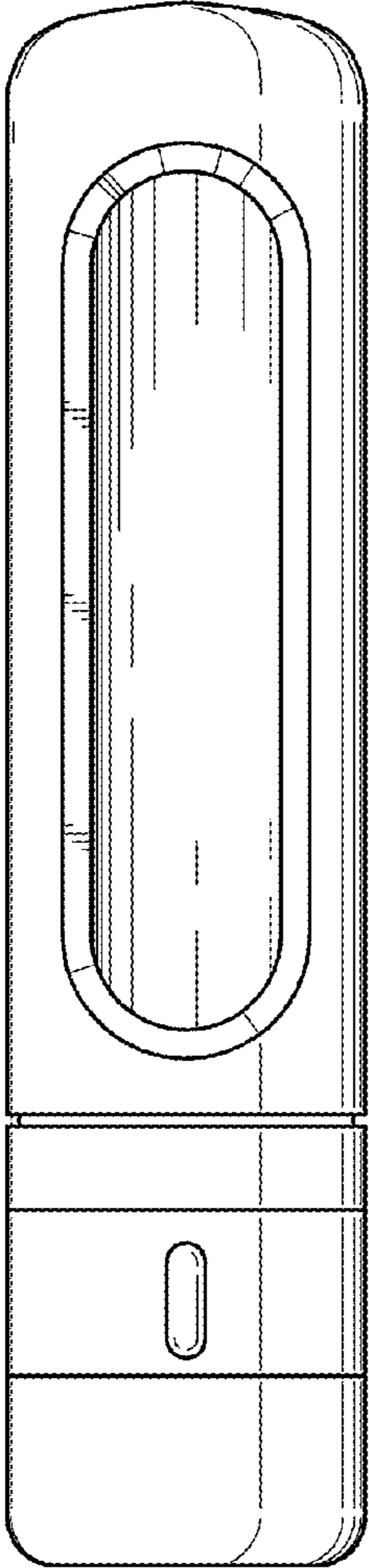


FIG. 3

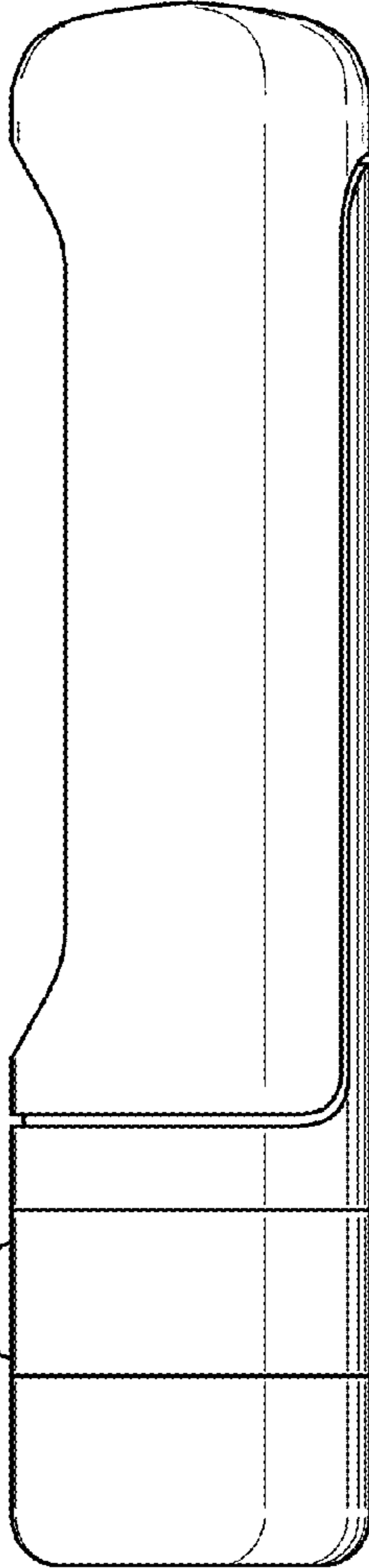


FIG. 5

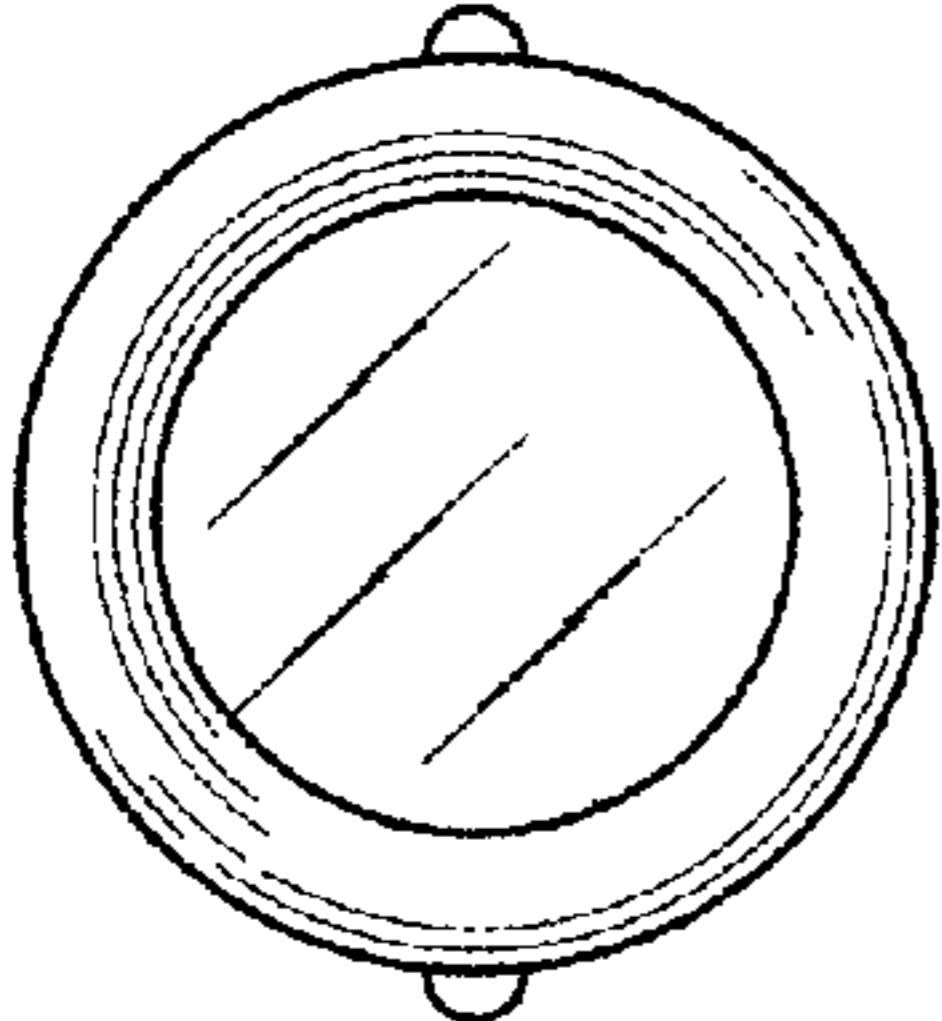


FIG. 4

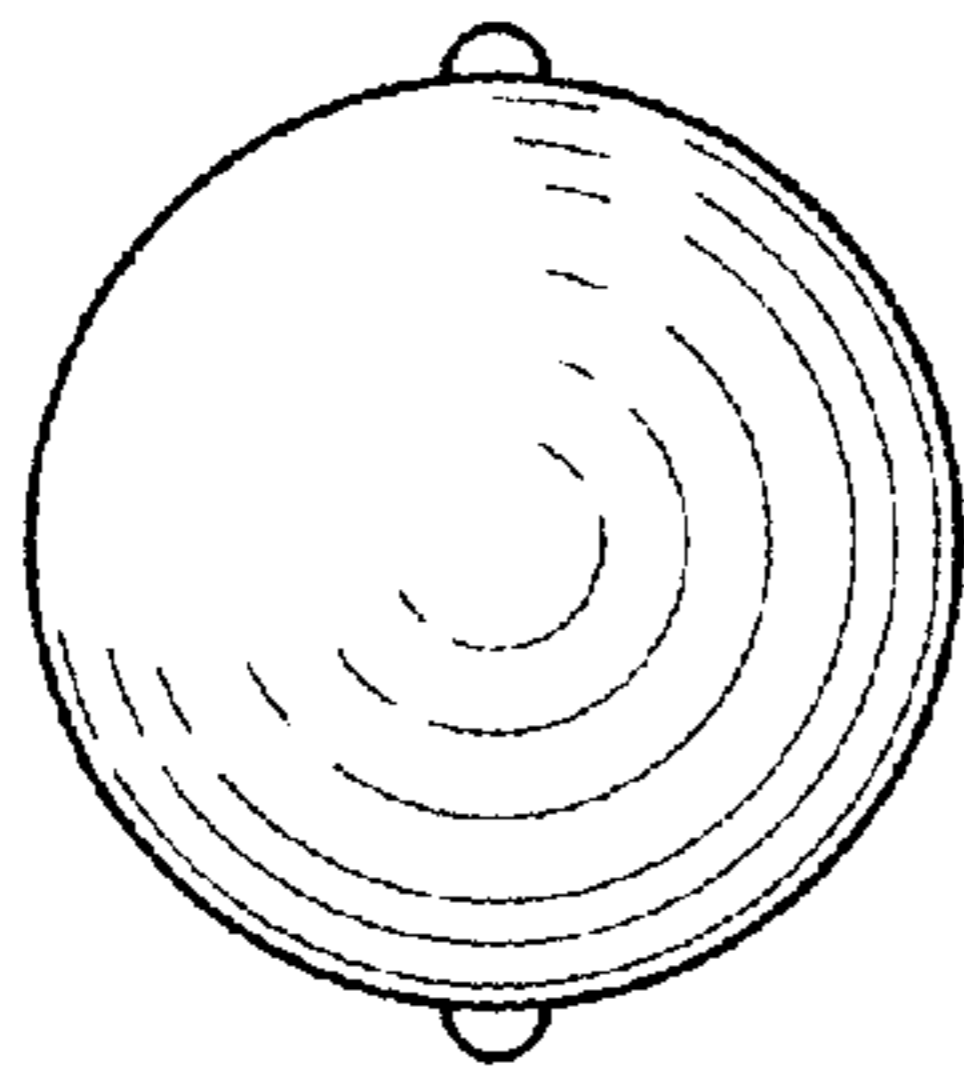


FIG. 8

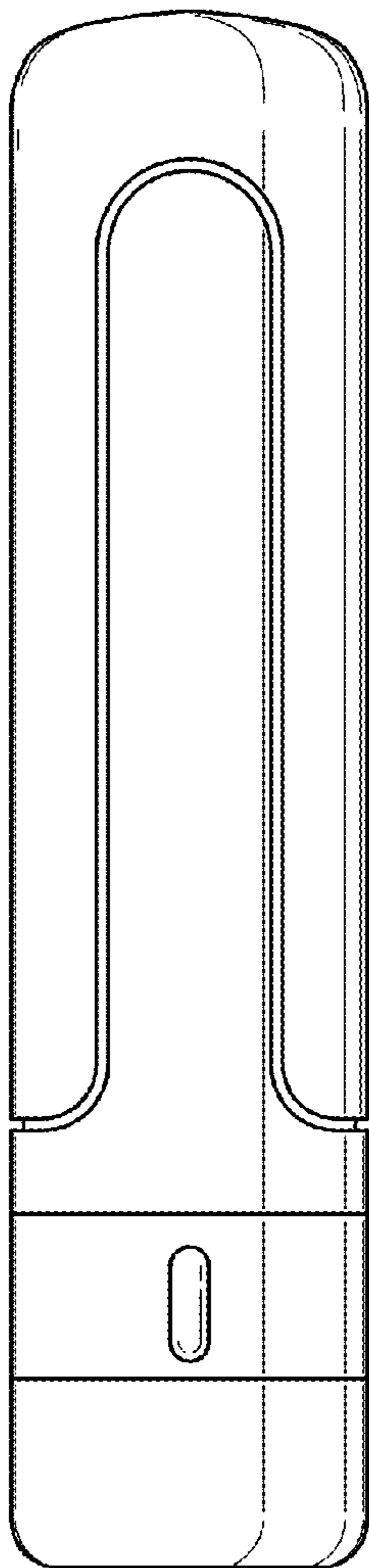


FIG. 6

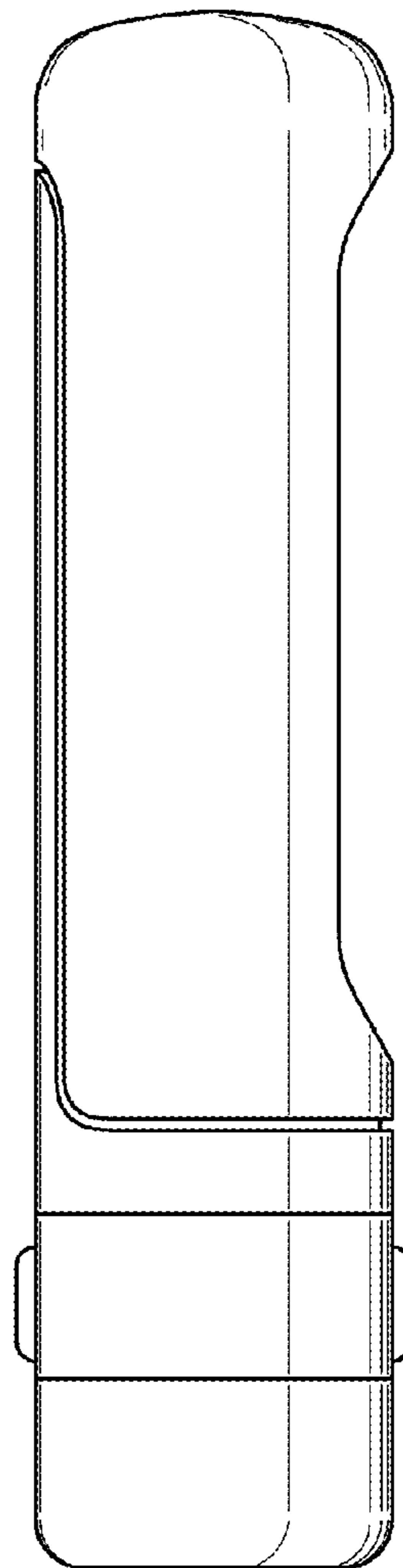


FIG. 7

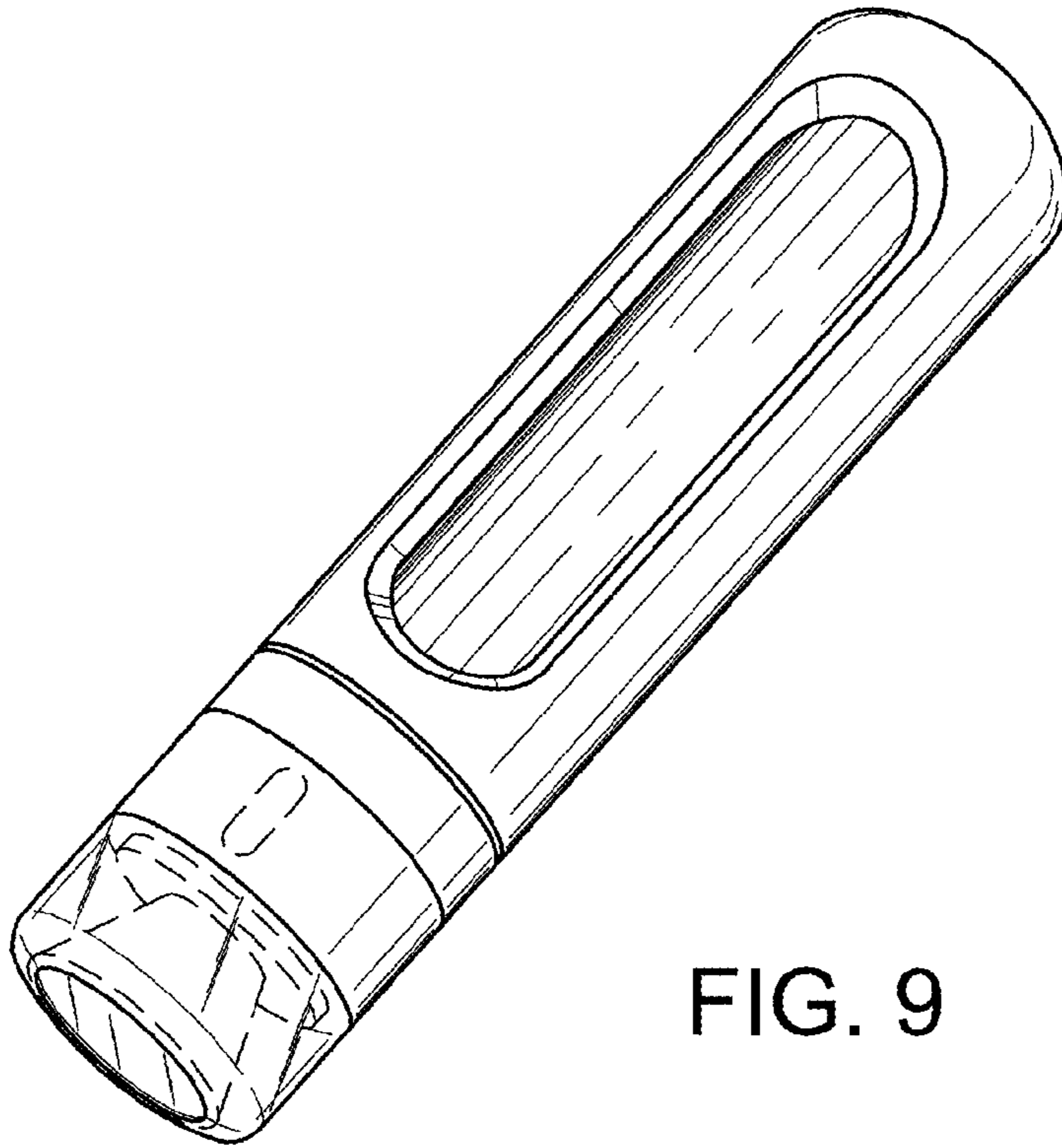


FIG. 9

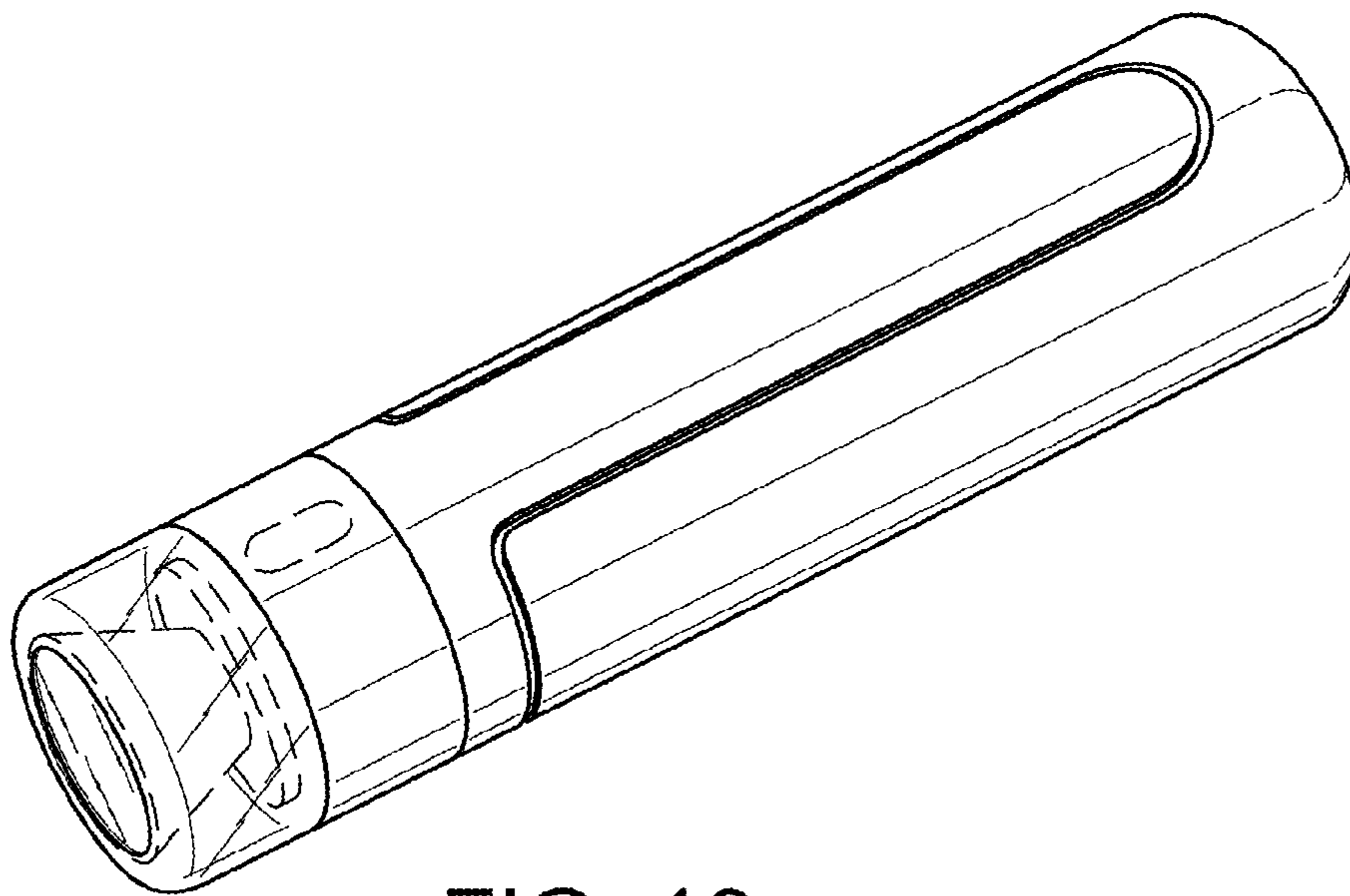


FIG. 10

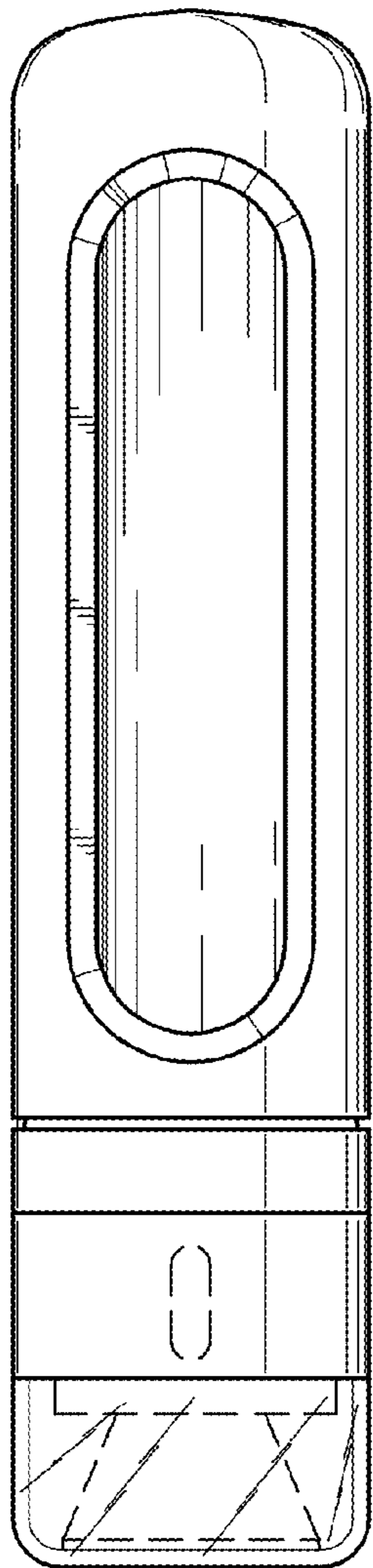


FIG. 11

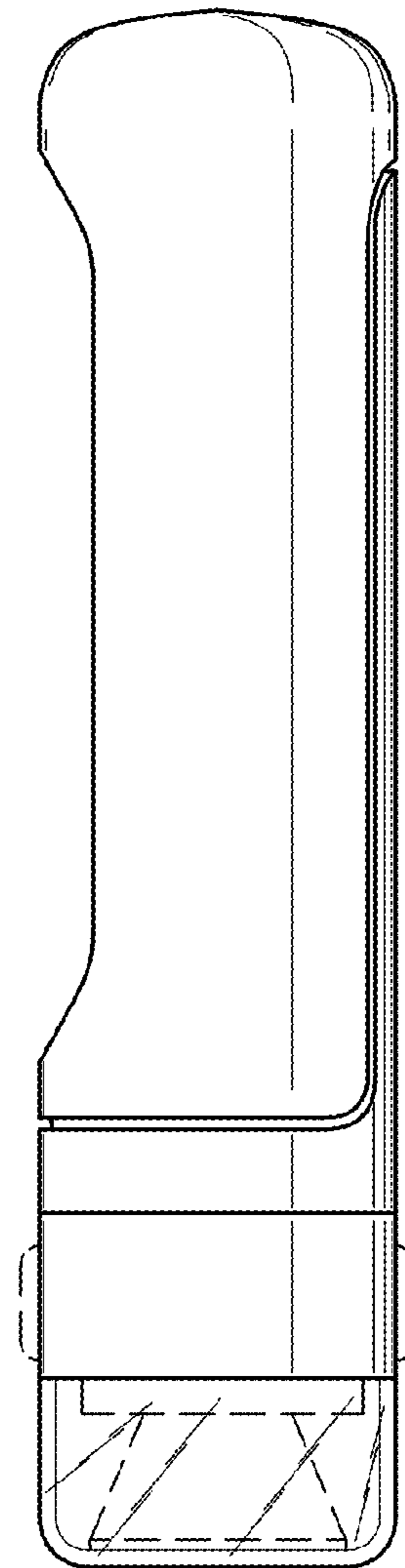


FIG. 13

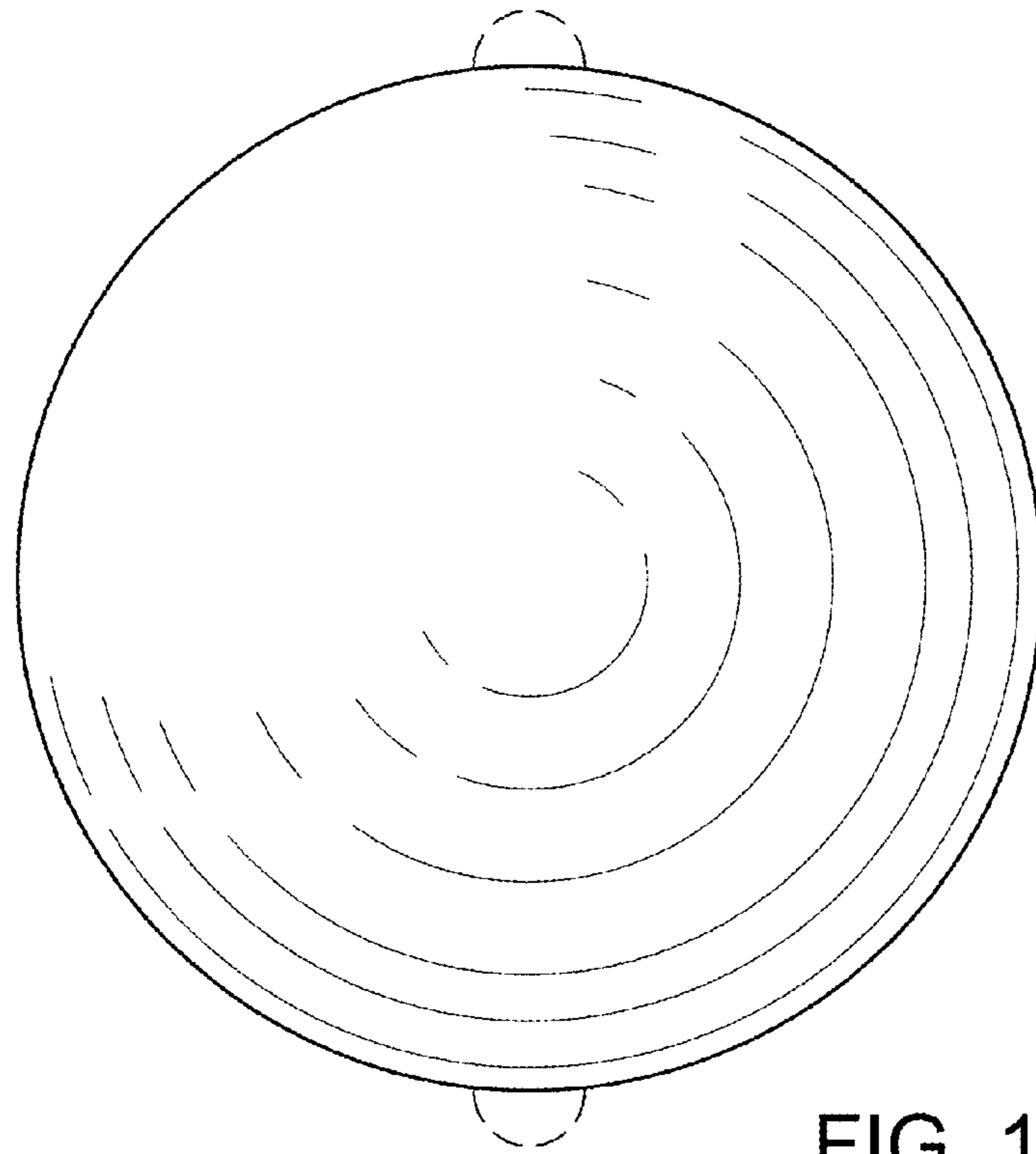


FIG. 16

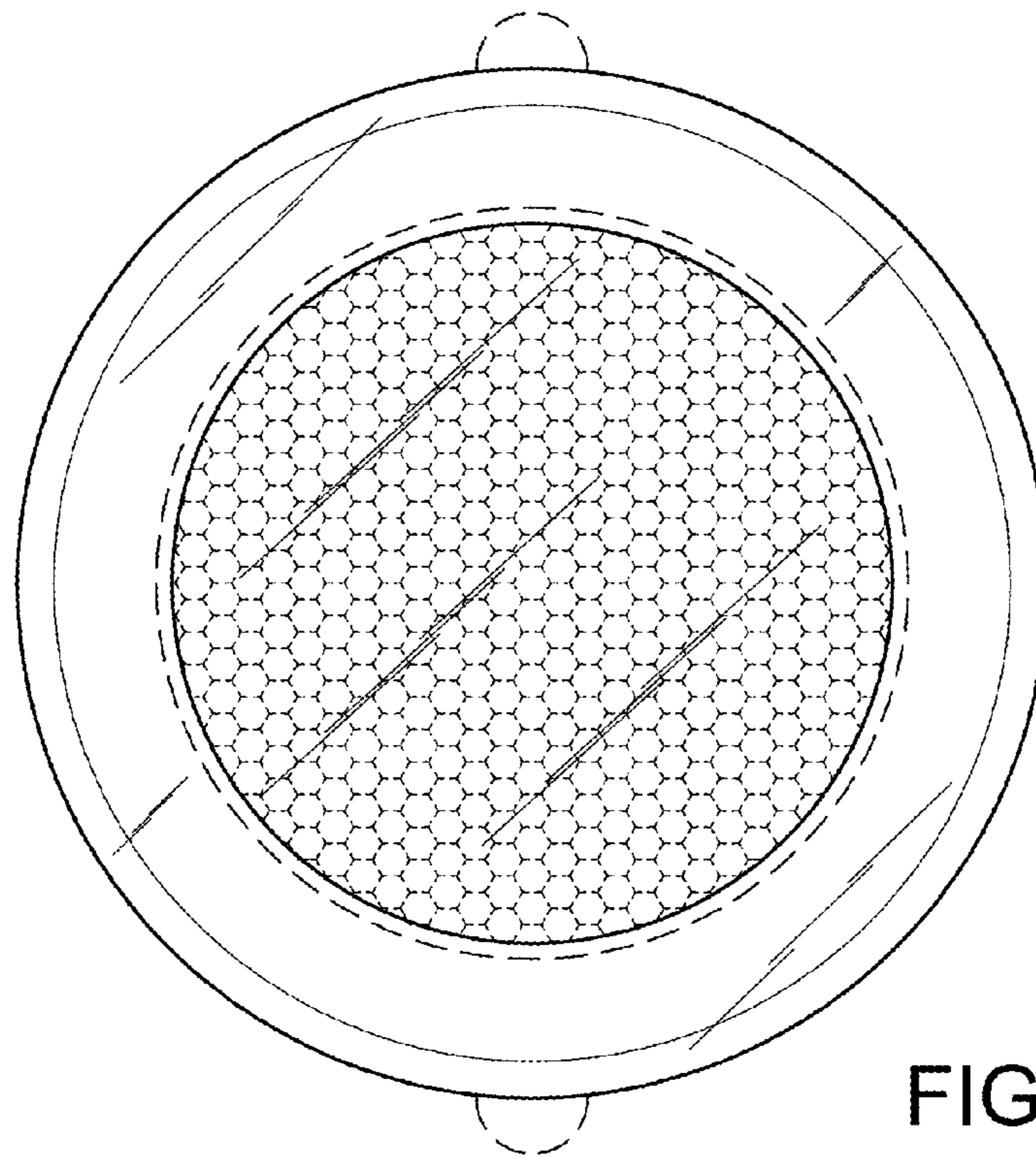


FIG. 12

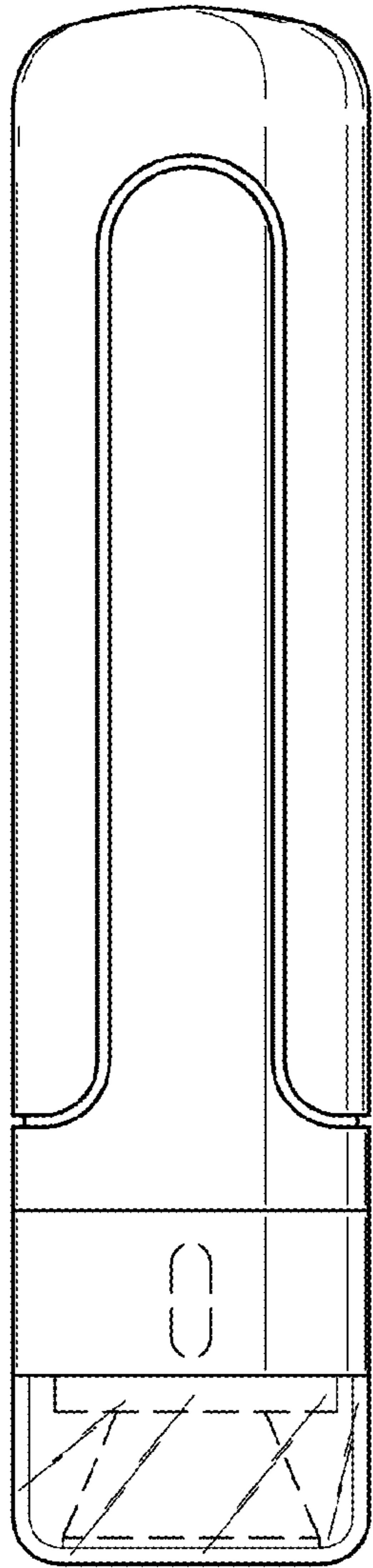


FIG. 14

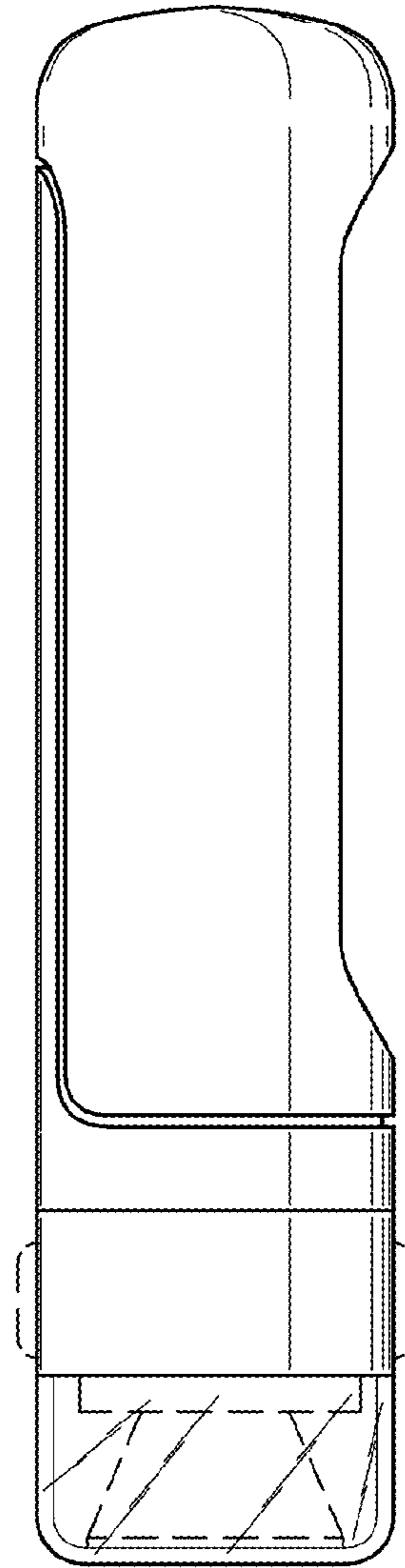


FIG. 15