



US00D743589S

(12) **United States Design Patent**
Ikuma et al.

(10) **Patent No.:** **US D743,589 S**
(45) **Date of Patent:** **** Nov. 17, 2015**

- (54) **COMBINATION LAMP FOR AN AUTOMOBILE**
- (71) Applicants: **Hirokazu Ikuma**, Kariya (JP); **Masanari Sakae**, Toyota (JP)
- (72) Inventors: **Hirokazu Ikuma**, Kariya (JP); **Masanari Sakae**, Toyota (JP)
- (73) Assignee: **Toyota Jidosha Kabushiki Kaisha** (JP)
- (**) Term: **14 Years**
- (21) Appl. No.: **29/485,259**
- (22) Filed: **Mar. 18, 2014**
- (30) **Foreign Application Priority Data**
Sep. 30, 2013 (JP) 2013-022790
- (51) **LOC (10) CL.** **26-06**
- (52) **U.S. CL.**
USPC **D26/28**
- (58) **Field of Classification Search**
USPC D26/28-36, 120, 139; D12/181
CPC F21S 48/10; F21S 48/23; F21S 48/115;
F21S 48/145; F21S 48/1109; F21S 48/1168;
F21S 48/1186; B60Q 1/2607; B60Q 1/28
See application file for complete search history.

- (56) **References Cited**
U.S. PATENT DOCUMENTS
- | | | | | | |
|-----------|------|---------|---------------|-------|---------|
| 5,055,983 | A * | 10/1991 | Hunold et al. | | 362/544 |
| D344,147 | S * | 2/1994 | Uchida | | D26/28 |
| D409,772 | S * | 5/1999 | Bangle | | D26/28 |
| 6,280,480 | B1 * | 8/2001 | Tuttle et al. | | 362/518 |
| D450,403 | S * | 11/2001 | Sacco et al. | | D26/28 |
| D464,450 | S * | 10/2002 | Wang et al. | | D26/28 |
| D528,234 | S * | 9/2006 | Hagino | | D26/28 |
| D541,444 | S * | 4/2007 | Lamarre | | D26/28 |
| D549,363 | S * | 8/2007 | Pfeiffer | | D26/28 |

- | | | | | | |
|----------|-----|---------|--------------|-------|--------|
| D565,763 | S * | 4/2008 | Zheng | | D26/28 |
| D581,072 | S * | 11/2008 | Hatake | | D26/28 |
| D605,793 | S * | 12/2009 | Weil | | D26/28 |
| D656,633 | S * | 3/2012 | Choo et al. | | D26/28 |
| D693,037 | S * | 11/2013 | Jeong et al. | | D26/28 |
| D705,967 | S * | 5/2014 | Park et al. | | D26/28 |
| D710,524 | S * | 8/2014 | Hirabayashi | | D26/28 |
| D727,547 | S * | 4/2015 | Ha et al. | | D26/28 |

OTHER PUBLICATIONS

Toyota, Toyota Vellfire, Car Dealer Catalogue of Toyota Vellfire, published Apr. 2010.
 Nissan, Nissan Extrem Concept, netcarshow.com, <http://www.netcarshow.com/nissan/2012-extrem_concept/1600x1200/wallpaper_07.htm>, available before Aug. 1, 2013.
 Lincoln, Lincoln MKZ Concept, netcarshow.com <http://www.netcarshow.com/lincoln/2012-mkz_concept/1600x1200/wallpaper_11.htm>, available before Aug. 1, 2013.

* cited by examiner

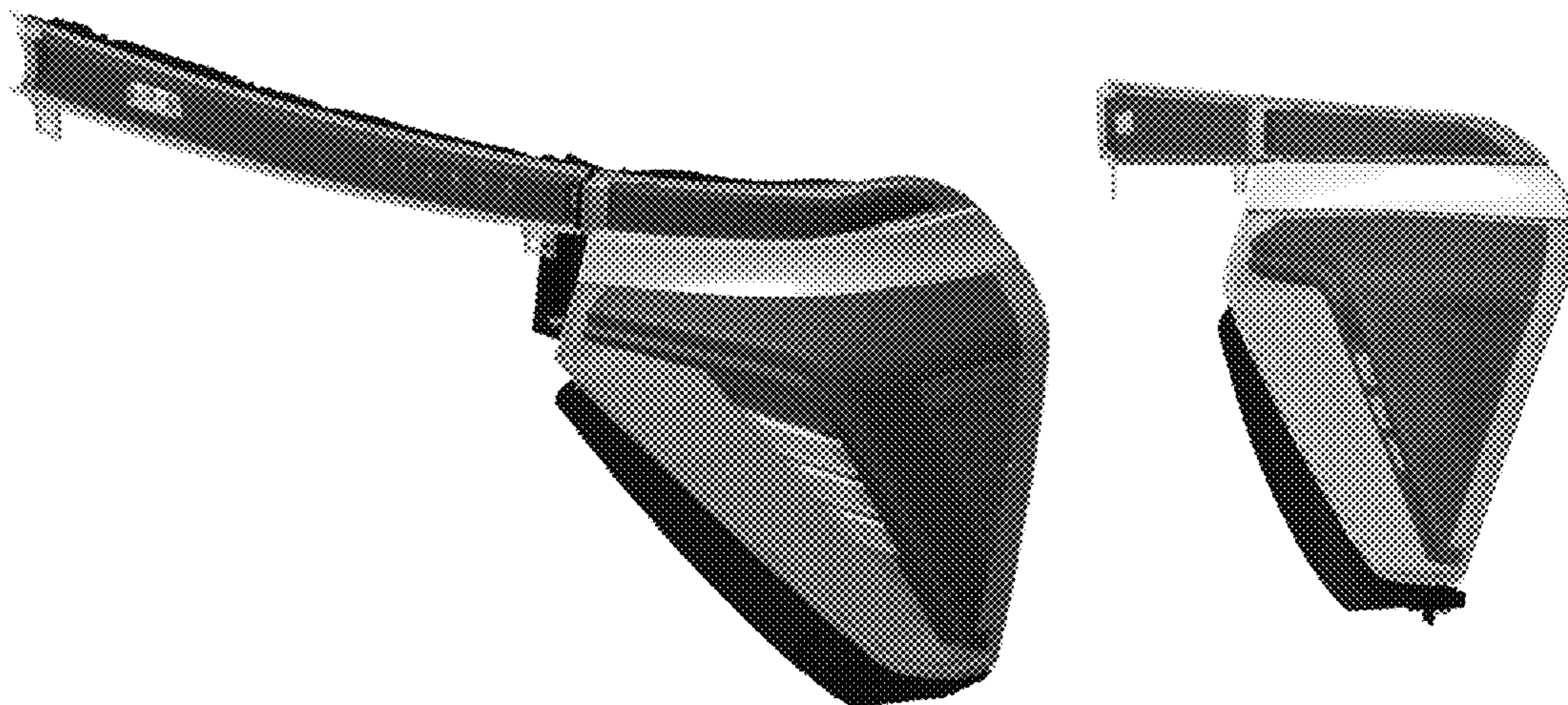
Primary Examiner — Clare E Heflin
 (74) *Attorney, Agent, or Firm* — Saidman DesignLaw Group, LLC

(57) **CLAIM**
 The ornamental design for a combination lamp for an automobile, as shown and described.

DESCRIPTION

FIG. 1 is a perspective view of a combination lamp for an automobile showing our new design;
 FIG. 2 is a front view thereof;
 FIG. 3 is a rear view thereof;
 FIG. 4 is a top view thereof;
 FIG. 5 is a bottom view thereof;
 FIG. 6 is a right side view thereof; and,
 FIG. 7 is a left side view thereof.
 The drawings include shadows and reflections which indicate contour, not surface ornamentation.

1 Claim, 5 Drawing Sheets



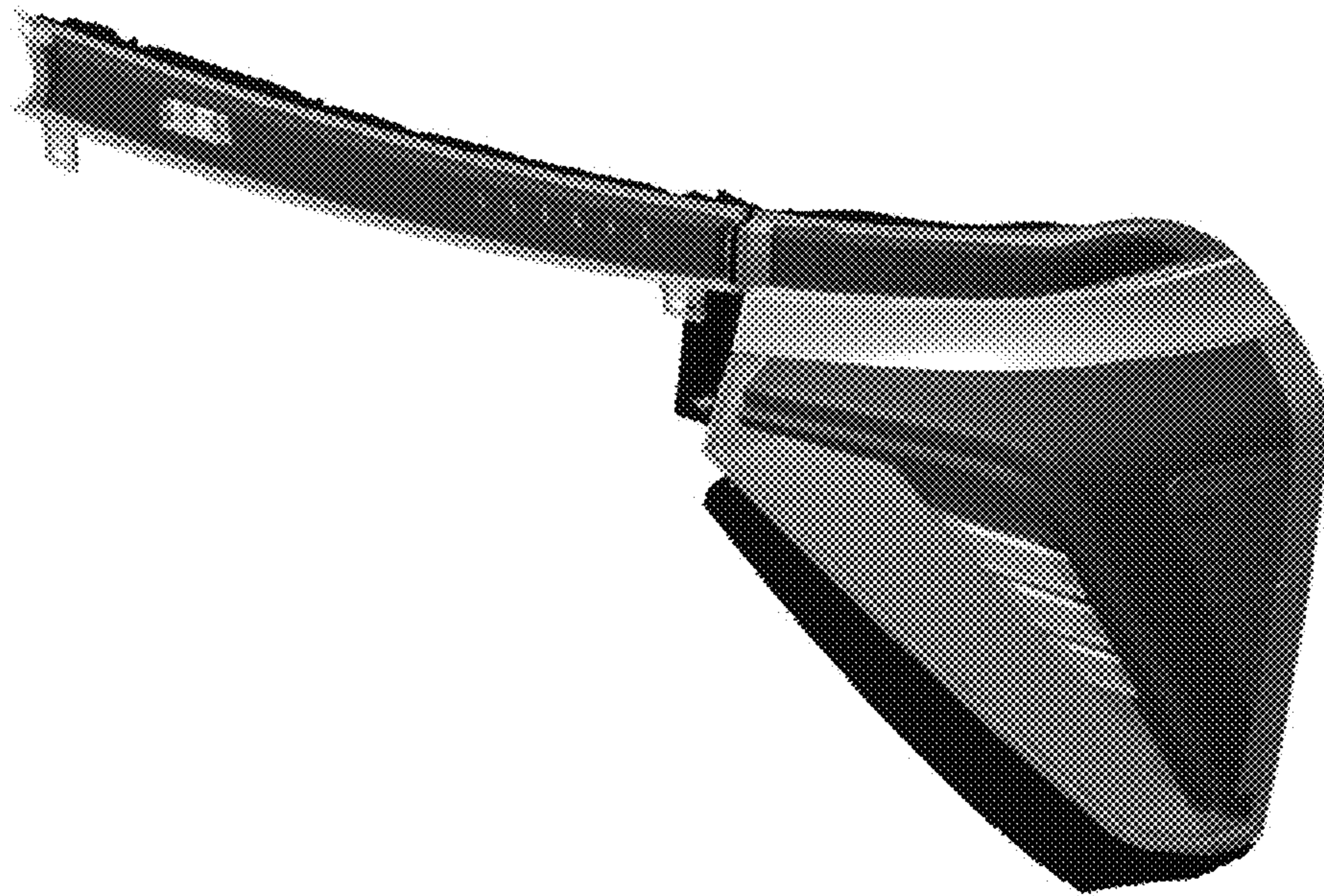


Fig. 1



Fig. 2

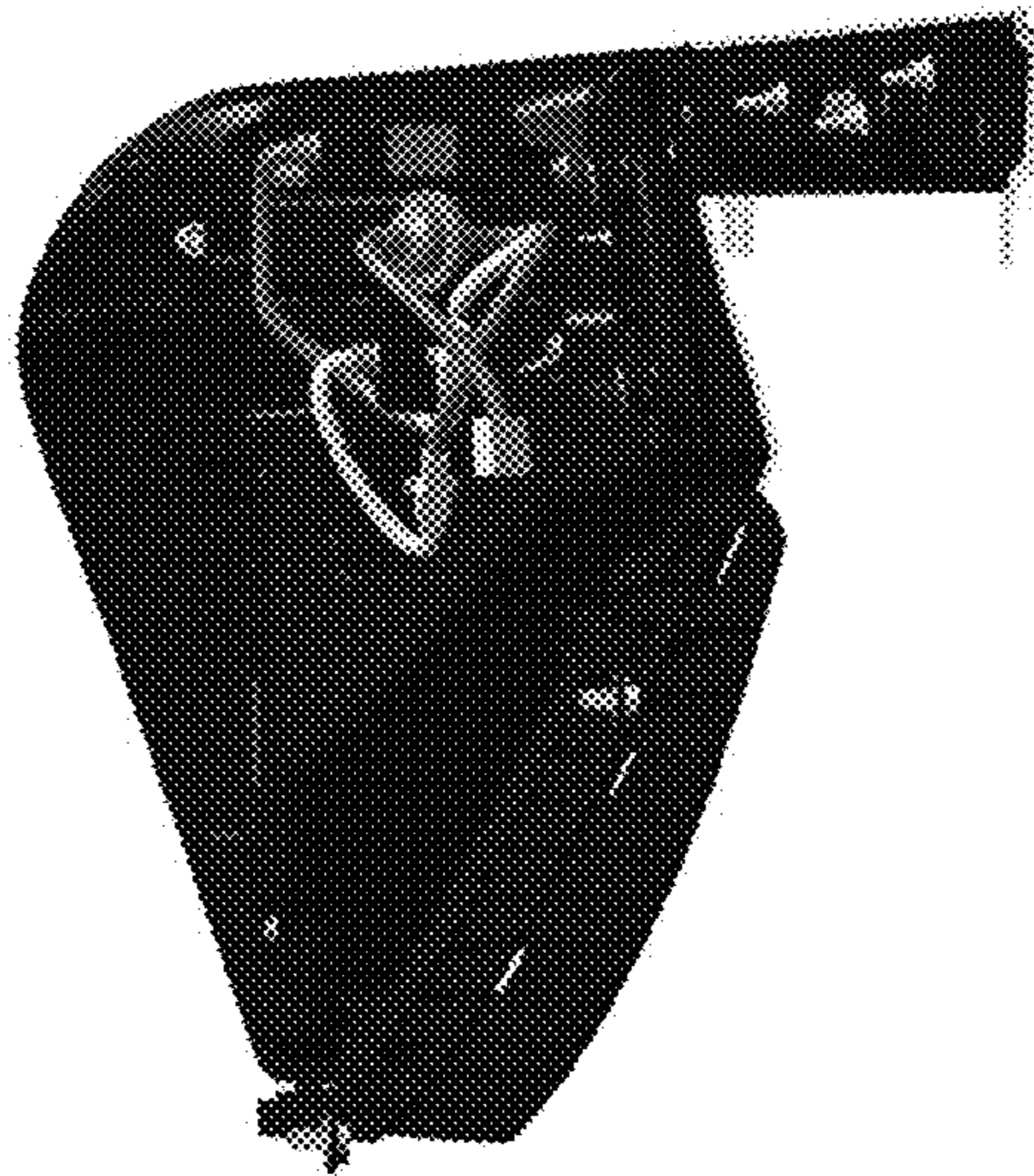


Fig. 3

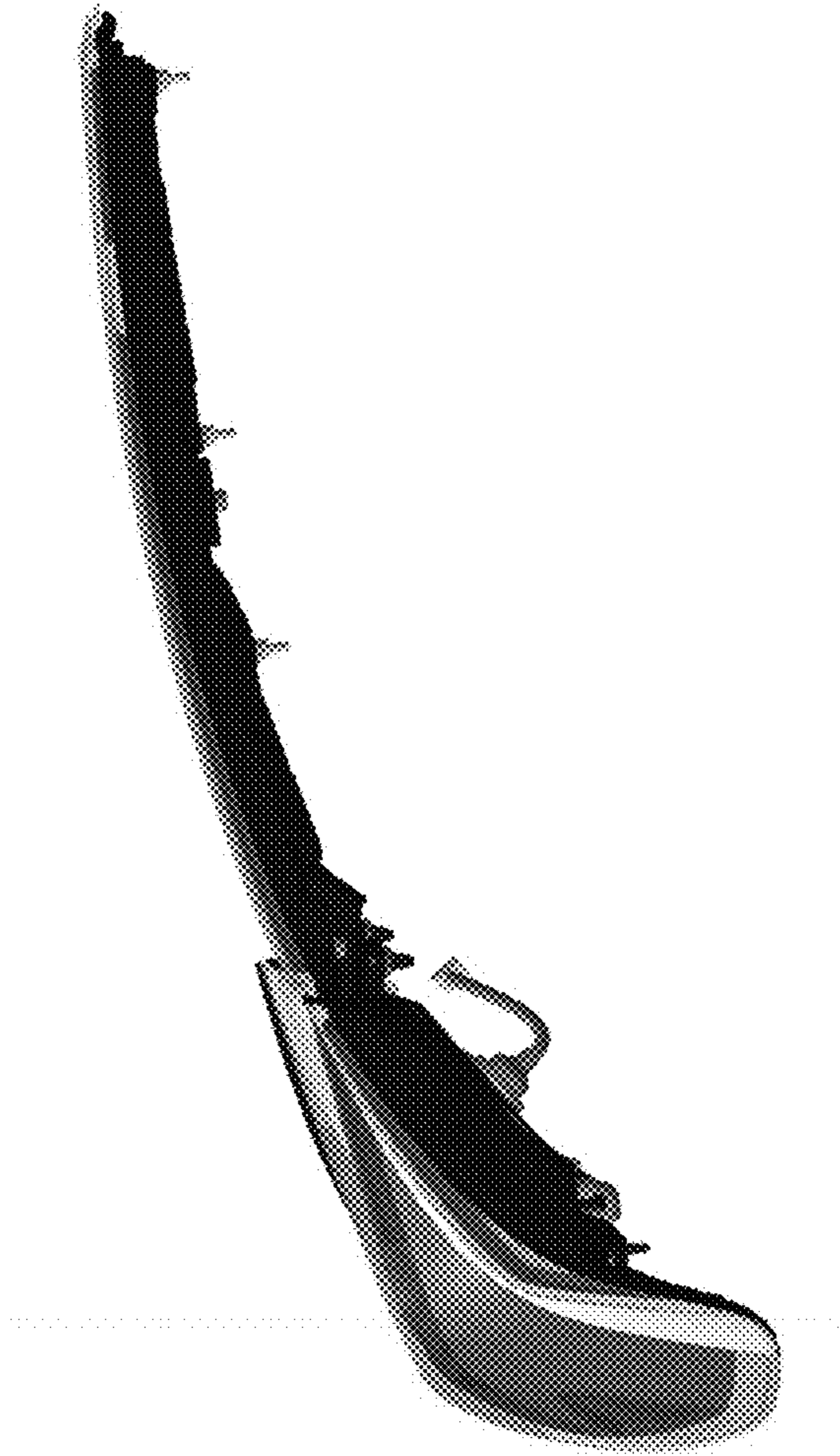


Fig. 4

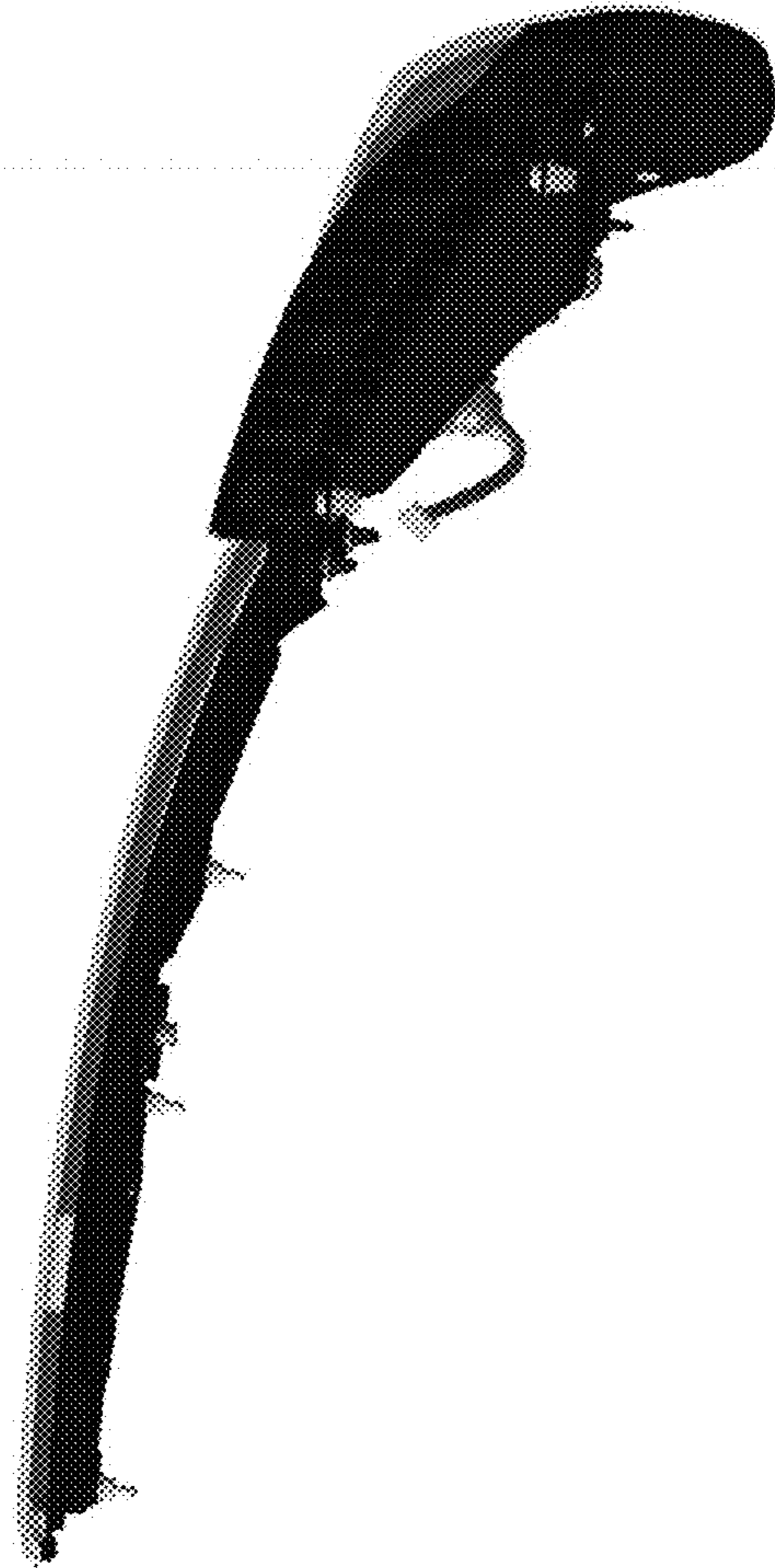


Fig. 5

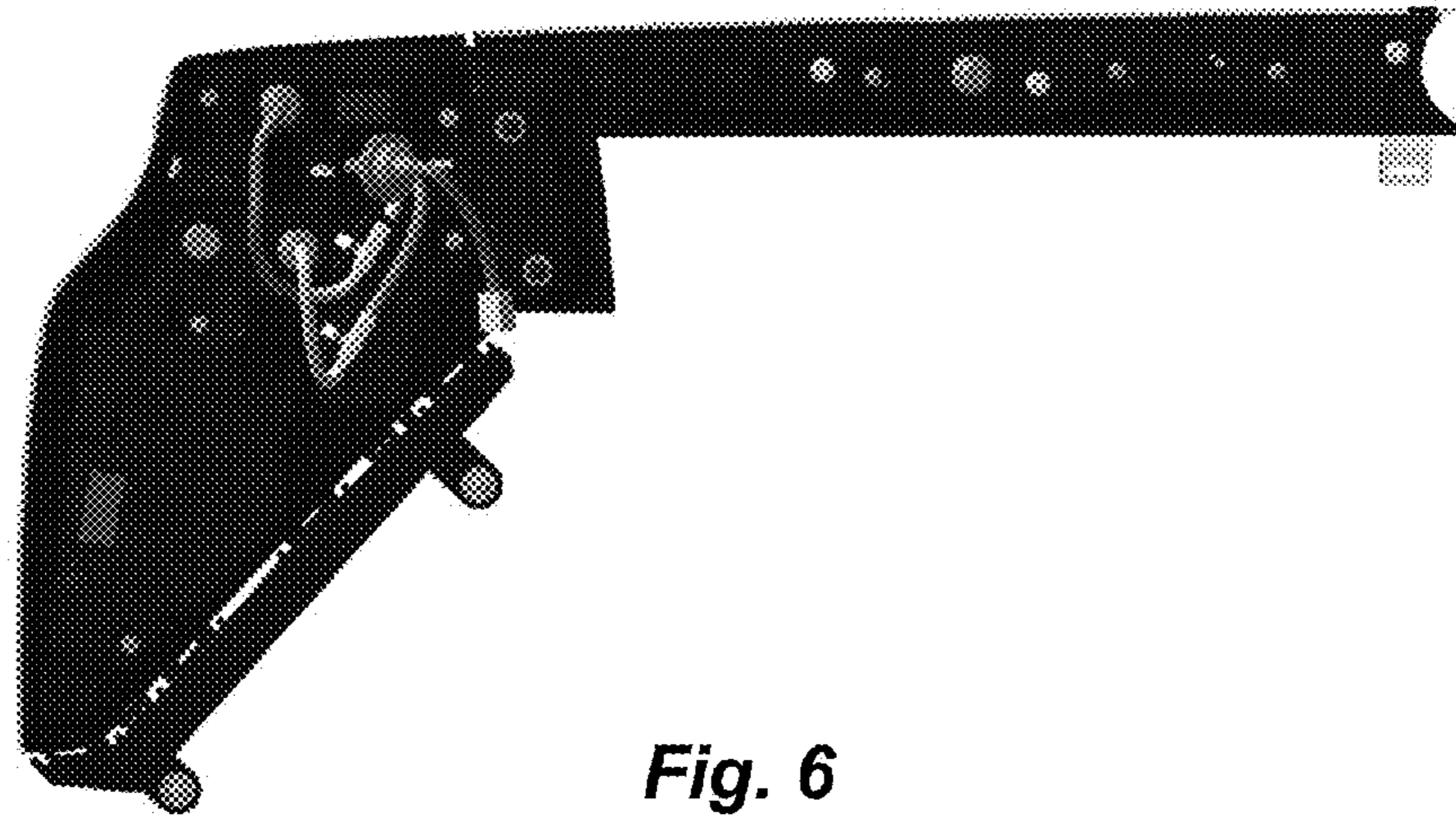


Fig. 6

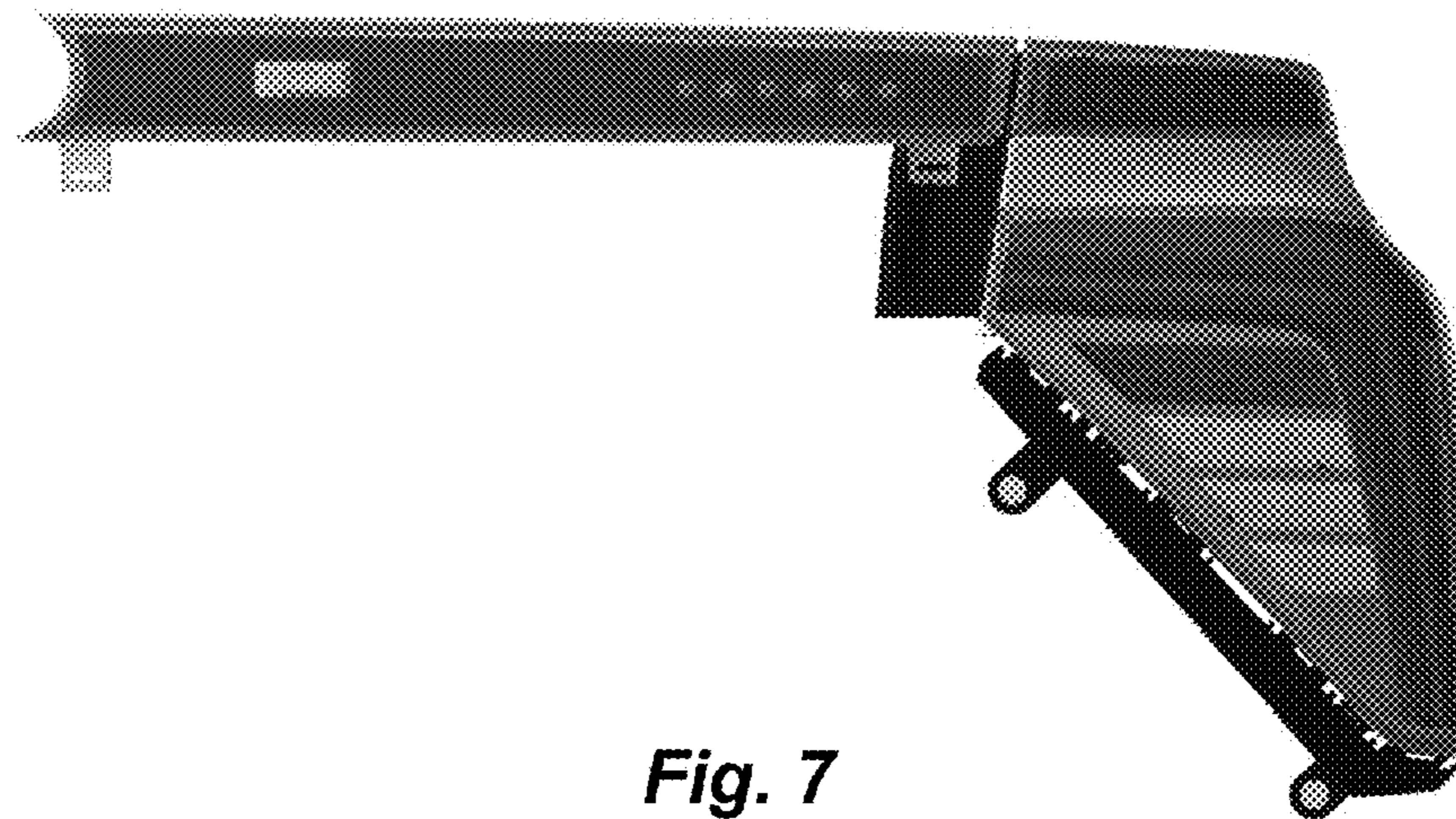


Fig. 7