



US00D743588S

(12) **United States Design Patent**  
**Wolff et al.**

(10) **Patent No.:** **US D743,588 S**

(45) **Date of Patent:** **\*\* Nov. 17, 2015**

(54) **VEHICLE LIFT GATE LAMP**

(56) **References Cited**

(71) Applicant: **Ford Motor Company**, Dearborn, MI (US)

U.S. PATENT DOCUMENTS

(72) Inventors: **Max Wolff**, Birmingham, MI (US);  
**James Everett Grake**, Beverly Hills, MI (US); **George Bucher**, Dearborn, MI (US); **Soohyoung Kim**, Northville, MI (US)

D499,497 S *	12/2004	Hou .....	D26/28
D637,746 S *	5/2011	Kong et al. ....	D26/28
D684,711 S *	6/2013	Chen et al. ....	D26/28
D708,369 S *	7/2014	Song et al. ....	D26/28
D726,597 S *	4/2015	Wolff et al. ....	D12/163

(73) Assignee: **Ford Motor Company**, Dearborn, MI (US)

\* cited by examiner

*Primary Examiner* — Garth Rademaker

*Assistant Examiner* — Llorellys Martinez-Rivera

(\*\*) Term: **14 Years**

(74) *Attorney, Agent, or Firm* — Damian Porcari

(21) Appl. No.: **29/480,139**

(57) **CLAIM**

The ornamental design for a vehicle lift gate lamp, as shown and described.

(22) Filed: **Jan. 23, 2014**

**DESCRIPTION**

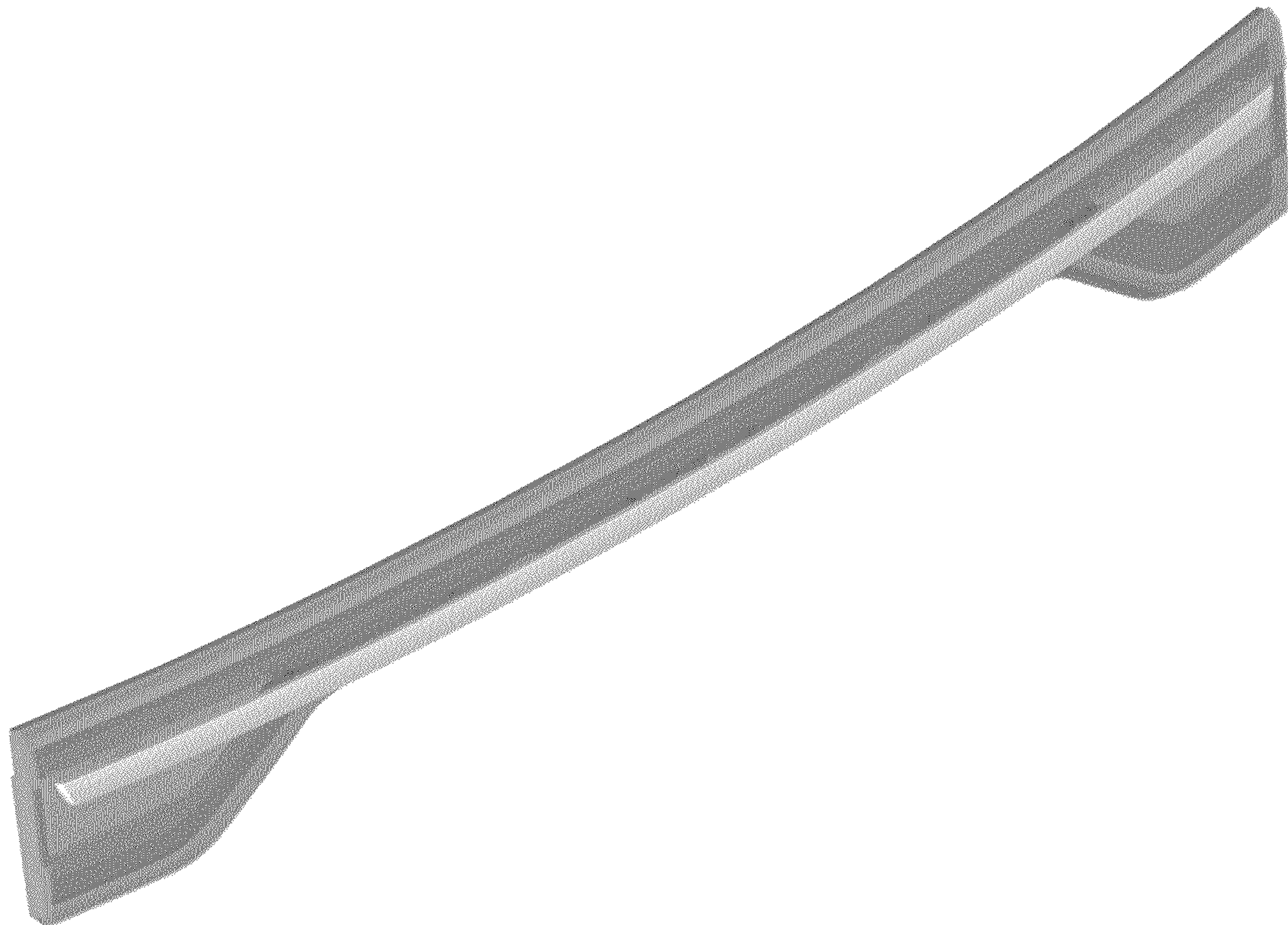
(51) **LOC (10) Cl.** ..... **26-06**

(52) **U.S. Cl.**  
USPC ..... **D26/28**

(58) **Field of Classification Search**  
USPC ..... D26/28-36, 113, 118, 121, 138-140;  
362/362, 364-366, 368-373, 459-463,  
362/473-478, 485-487, 538, 539,  
362/546-549; D12/163, 170, 171  
CPC ..... F21S 8/02; F21Y 2103/00  
See application file for complete search history.

FIG. 1 is a perspective view of a vehicle lift gate lamp;  
FIG. 2 is a another perspective view thereof;  
FIG. 3 is front elevational view thereof;  
FIG. 4 is a left side elevational view thereof;  
FIG. 5 is a right side elevational view thereof;  
FIG. 6 is a top plan view thereof; and,  
FIG. 7 is bottom plan view thereof.

**1 Claim, 7 Drawing Sheets**



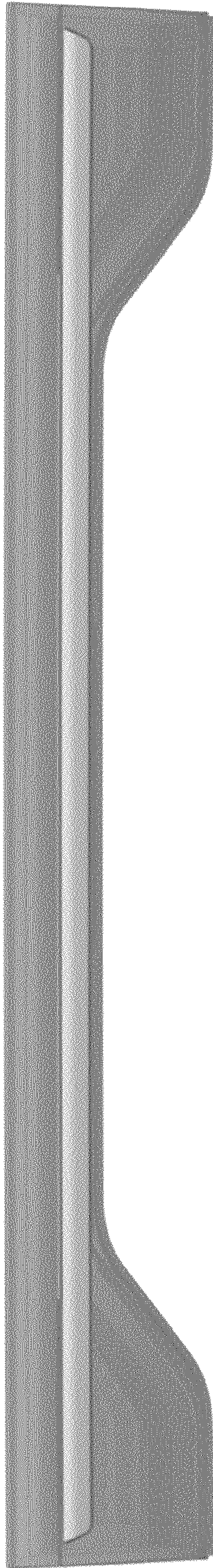


*Figure 1*



Figure 2

Figure 3



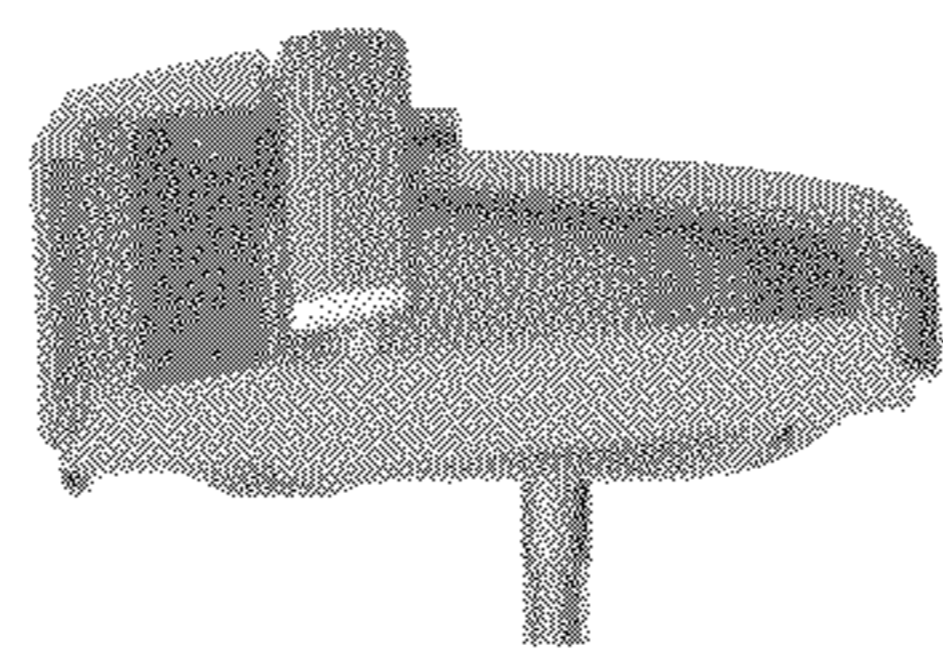


Figure 4

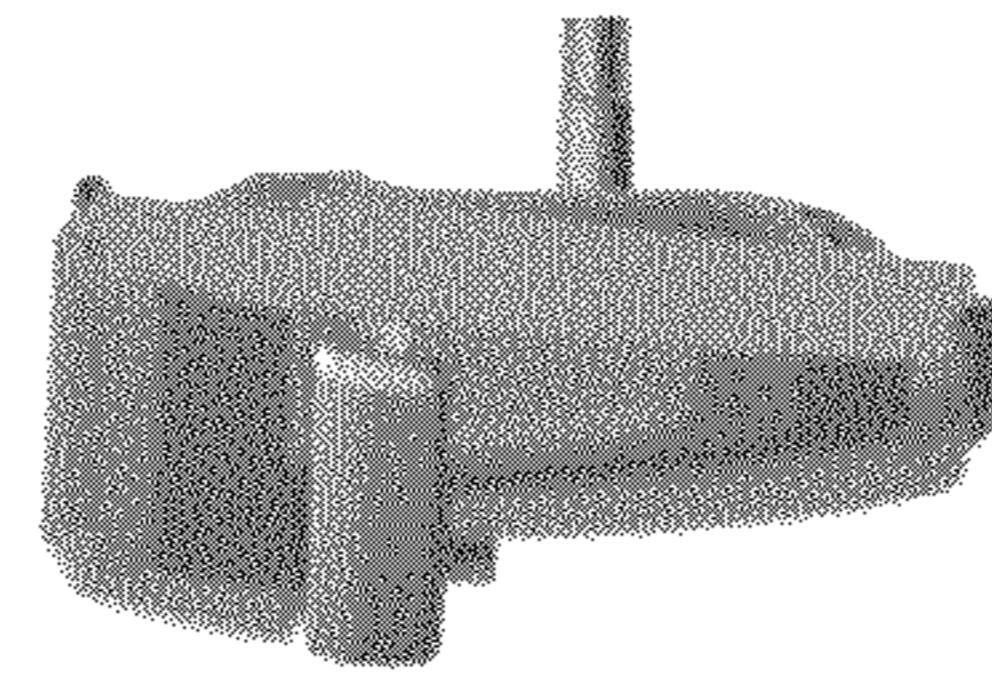


Figure 5

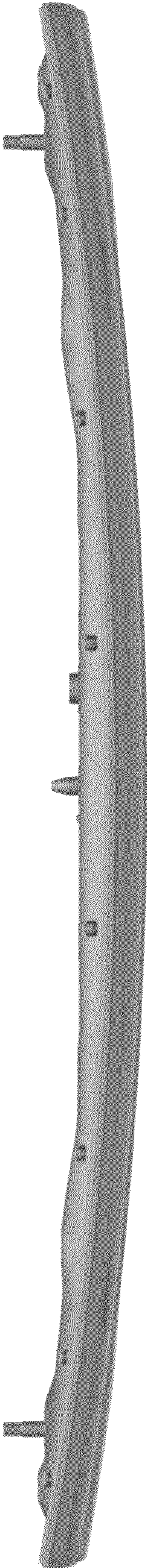


Figure 6

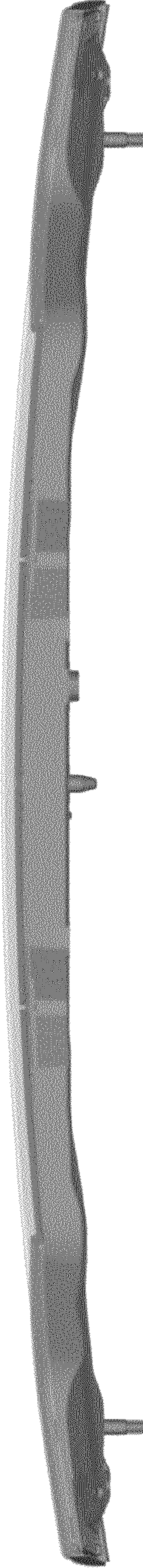


Figure 7