



US00D743585S

(12) **United States Design Patent**  
**Ding et al.**

(10) **Patent No.:** **US D743,585 S**

(45) **Date of Patent:** **\*\* Nov. 17, 2015**

(54) **LED LAMP**

(71) Applicant: **ZHEJIANG SHENGHUI LIGHTING CO., LTD**, Jiaxing (CN)

(72) Inventors: **Gang Ding**, Jiaxing (CN); **Jinxiang Shen**, Jiaxing (CN)

(73) Assignee: **ZHEJIANG SHENGHUI LIGHTING CO., LTD.**, Jiaxing (CN)

(\*\*) Term: **14 Years**

(21) Appl. No.: **29/510,133**

(22) Filed: **Nov. 25, 2014**

(51) **LOC (10) Cl.** ..... **26-04**

(52) **U.S. Cl.**  
USPC ..... **D26/2**

(58) **Field of Classification Search**  
USPC ..... D26/1-4; 313/313, 315, 316, 317, 318,  
313/493; 315/52, 53, 56, 57, 58  
CPC ..... H01J 5/48; H01J 5/50; H01J 19/54;  
F21V 5/00

See application file for complete search history.

(56) **References Cited**

U.S. PATENT DOCUMENTS

D433,167 S *	10/2000	Yim	.....	D26/2
D463,584 S *	9/2002	Yim	.....	D26/2
D535,038 S *	1/2007	Egawa	.....	D26/2
D601,278 S *	9/2009	Takahashi	.....	D26/2
D616,120 S *	5/2010	Wada	.....	D26/2
D646,809 S *	10/2011	Shi	.....	D26/2
D688,395 S *	8/2013	Bukkems	.....	D26/2

\* cited by examiner

*Primary Examiner* — Marcus Jackson

(74) *Attorney, Agent, or Firm* — Anova Law Group, PLLC

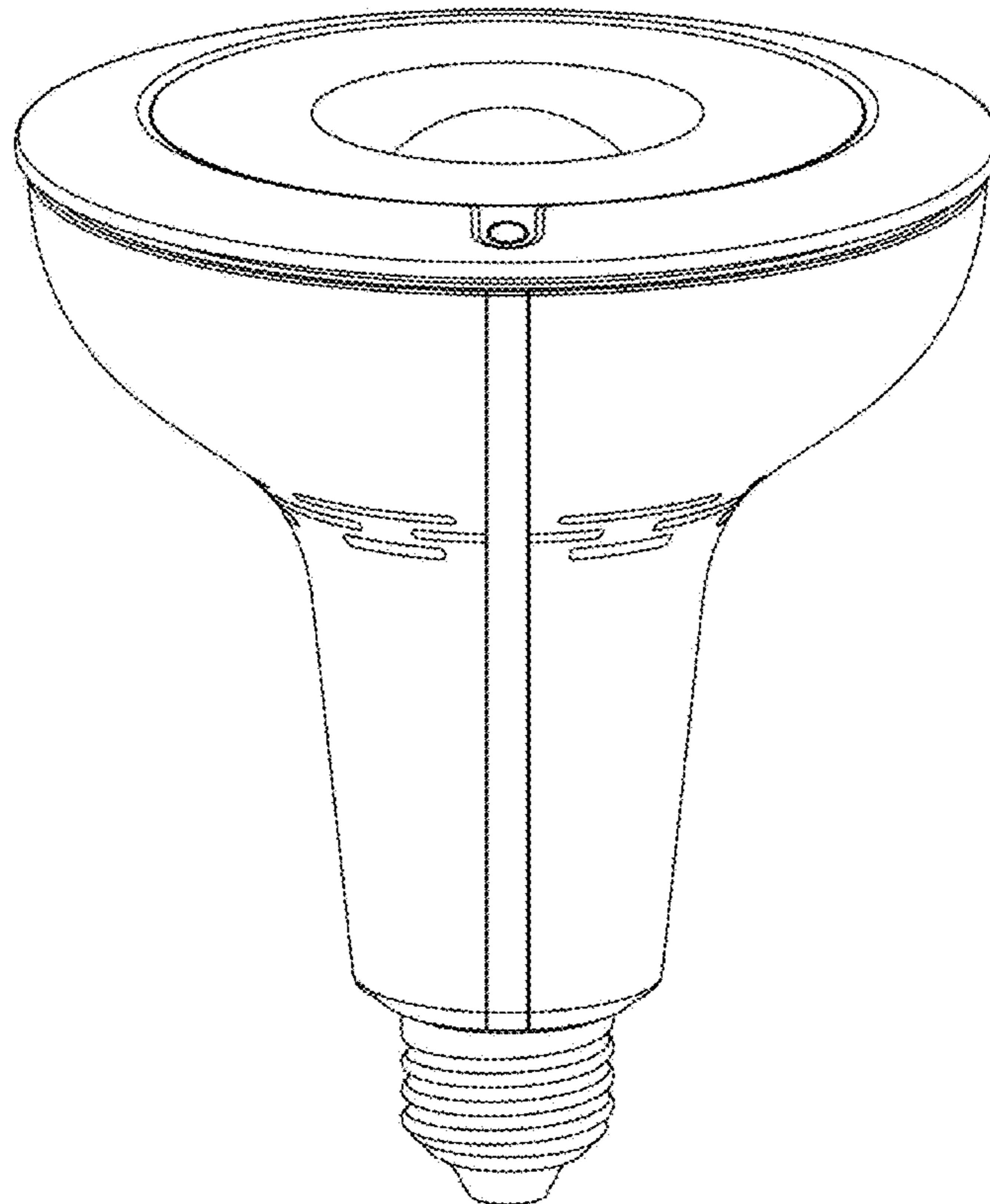
(57) **CLAIM**

The ornamental design for a LED lamp, as shown and described.

**DESCRIPTION**

FIG. 1 is a perspective view of a LED lamp in accordance with the present invention;  
FIG. 2 is a front view of the LED lamp shown in FIG. 1;  
FIG. 3 is a back view of the LED lamp shown in FIG. 1;  
FIG. 4 is a top view of the LED lamp shown in FIG. 1;  
FIG. 5 is a bottom view of the LED lamp shown in FIG. 1;  
FIG. 6 is a left side view of the LED lamp shown in FIG. 1;  
and,  
FIG. 7 is a right side view of the LED lamp shown in FIG. 1.

**1 Claim, 7 Drawing Sheets**



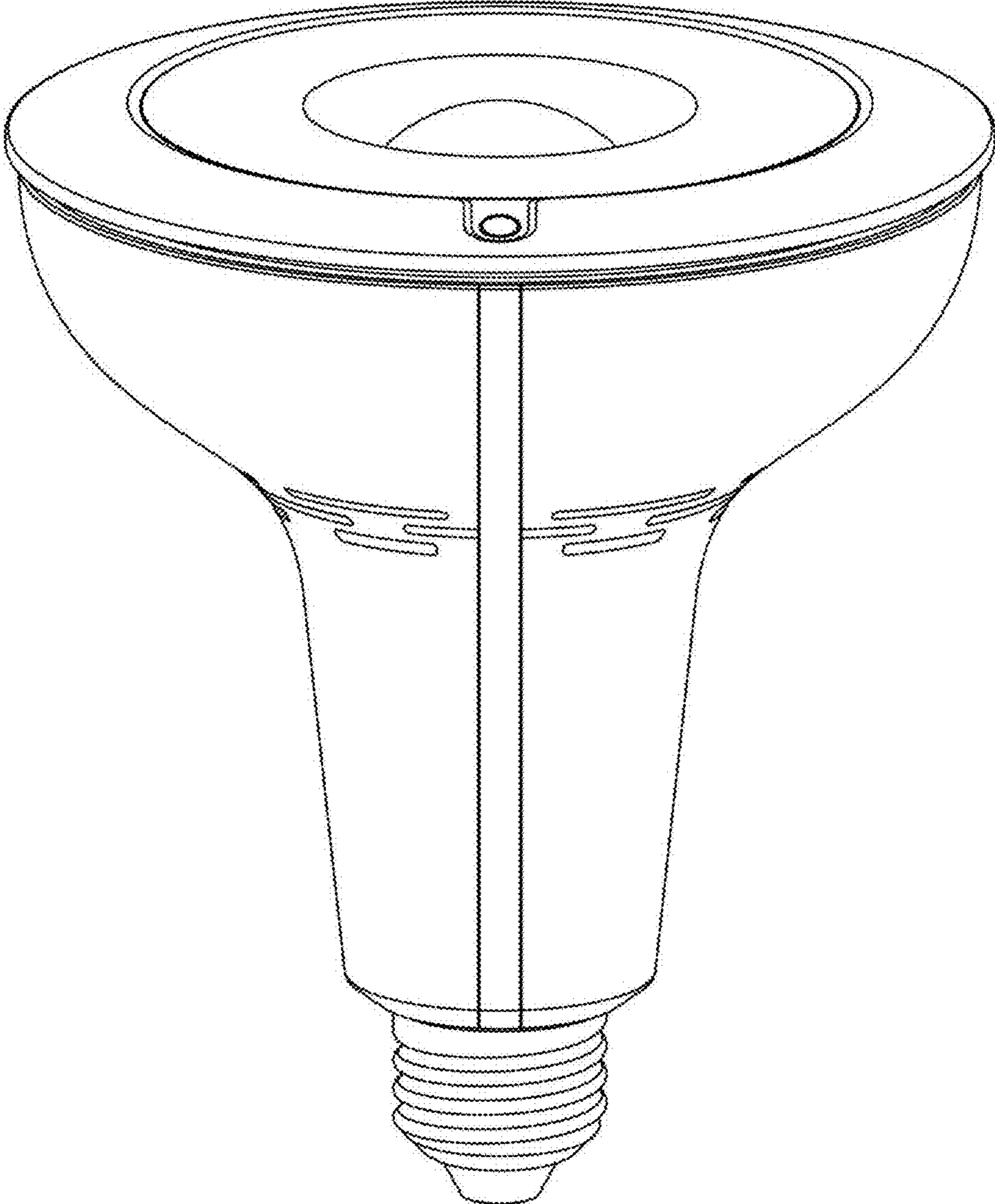


FIG. 1

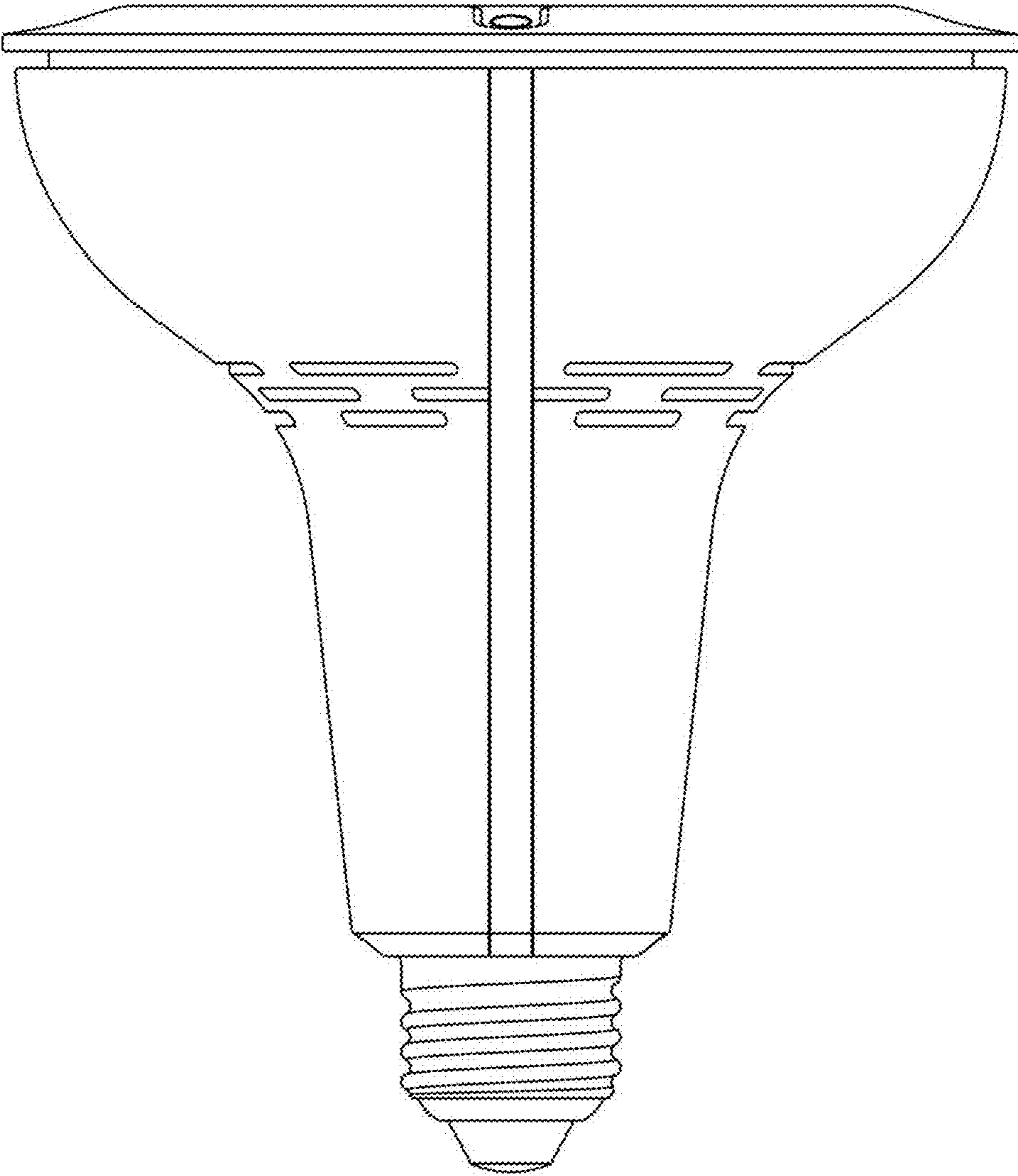


FIG. 2

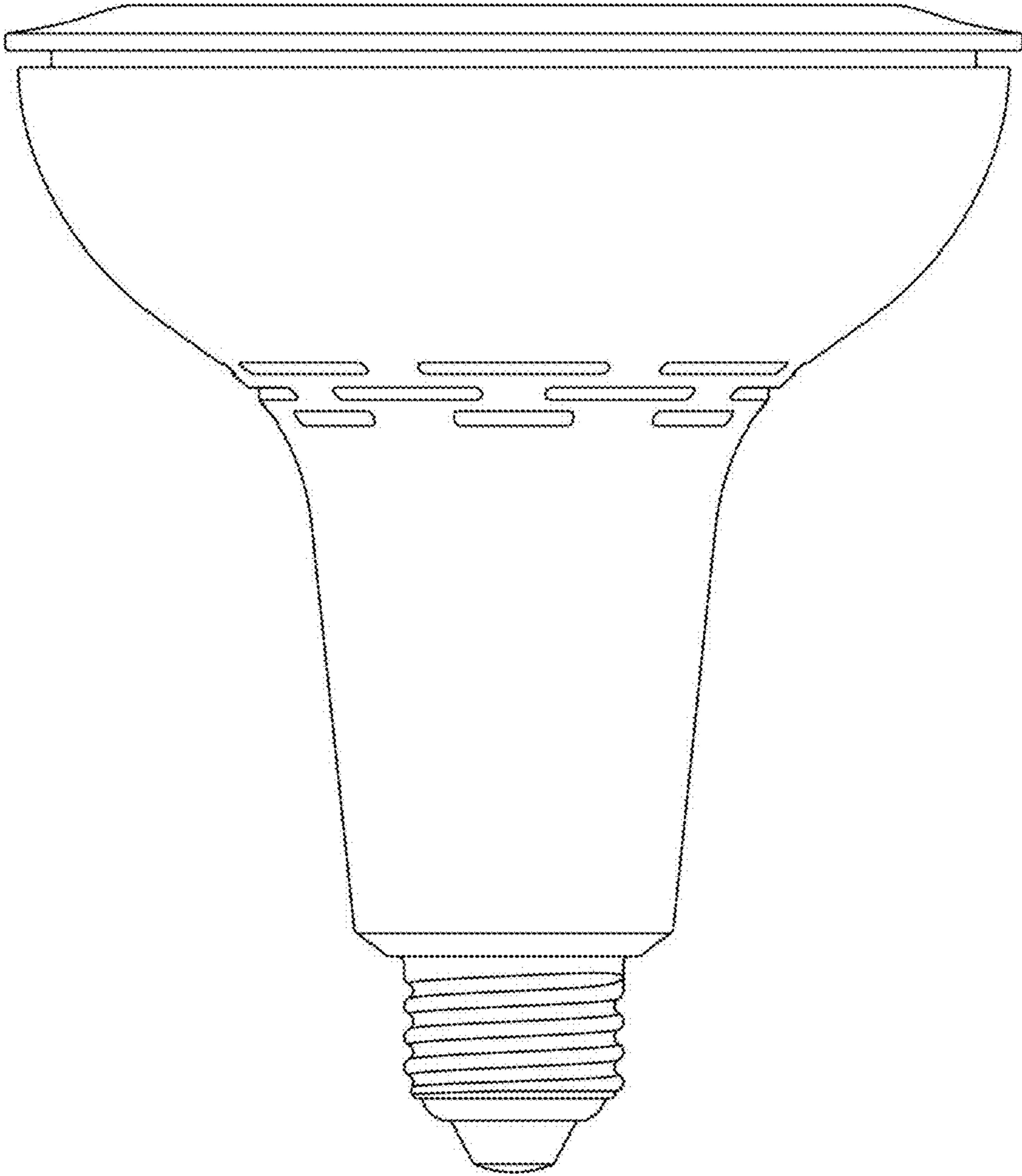


FIG. 3

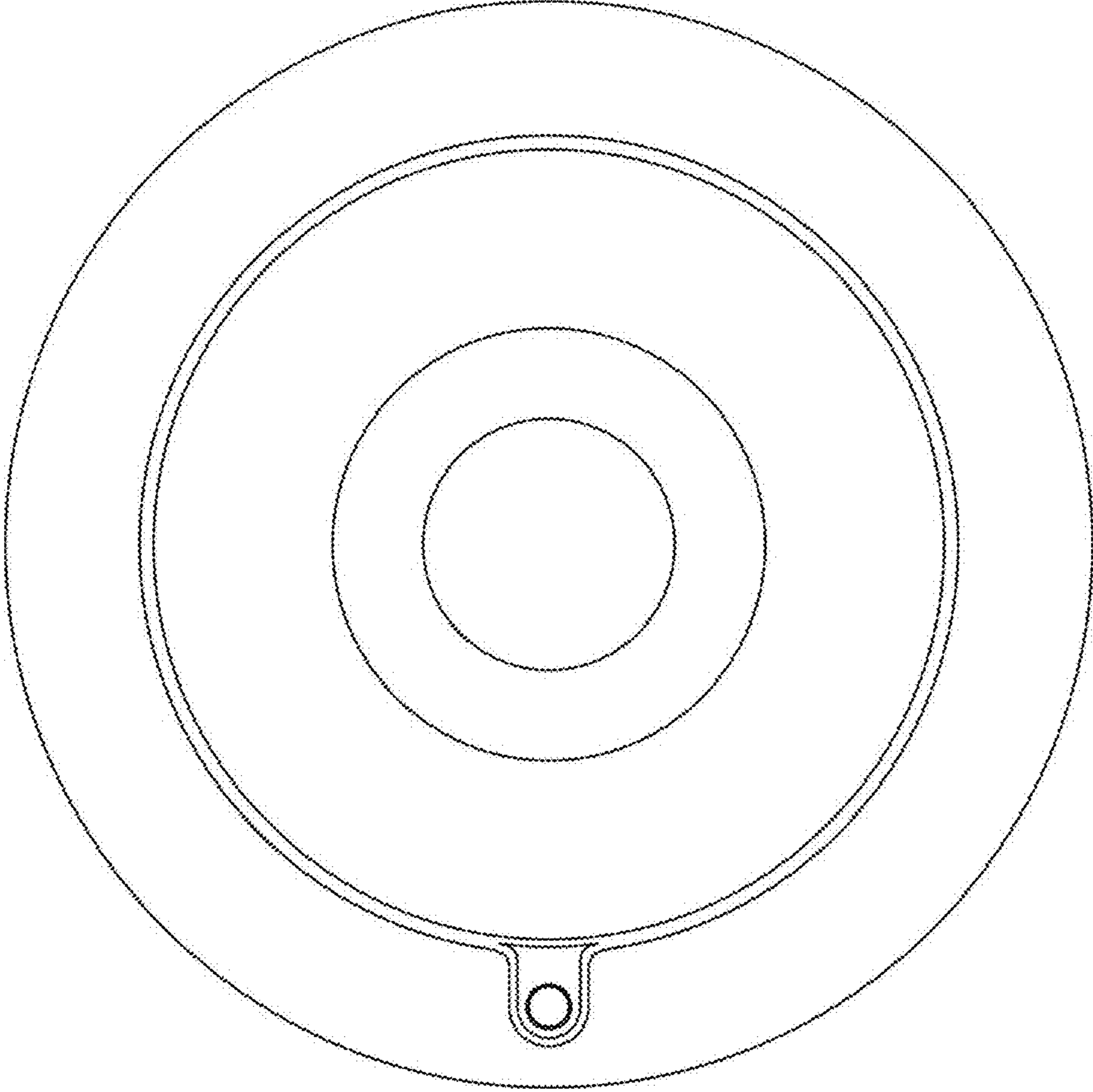


FIG. 4

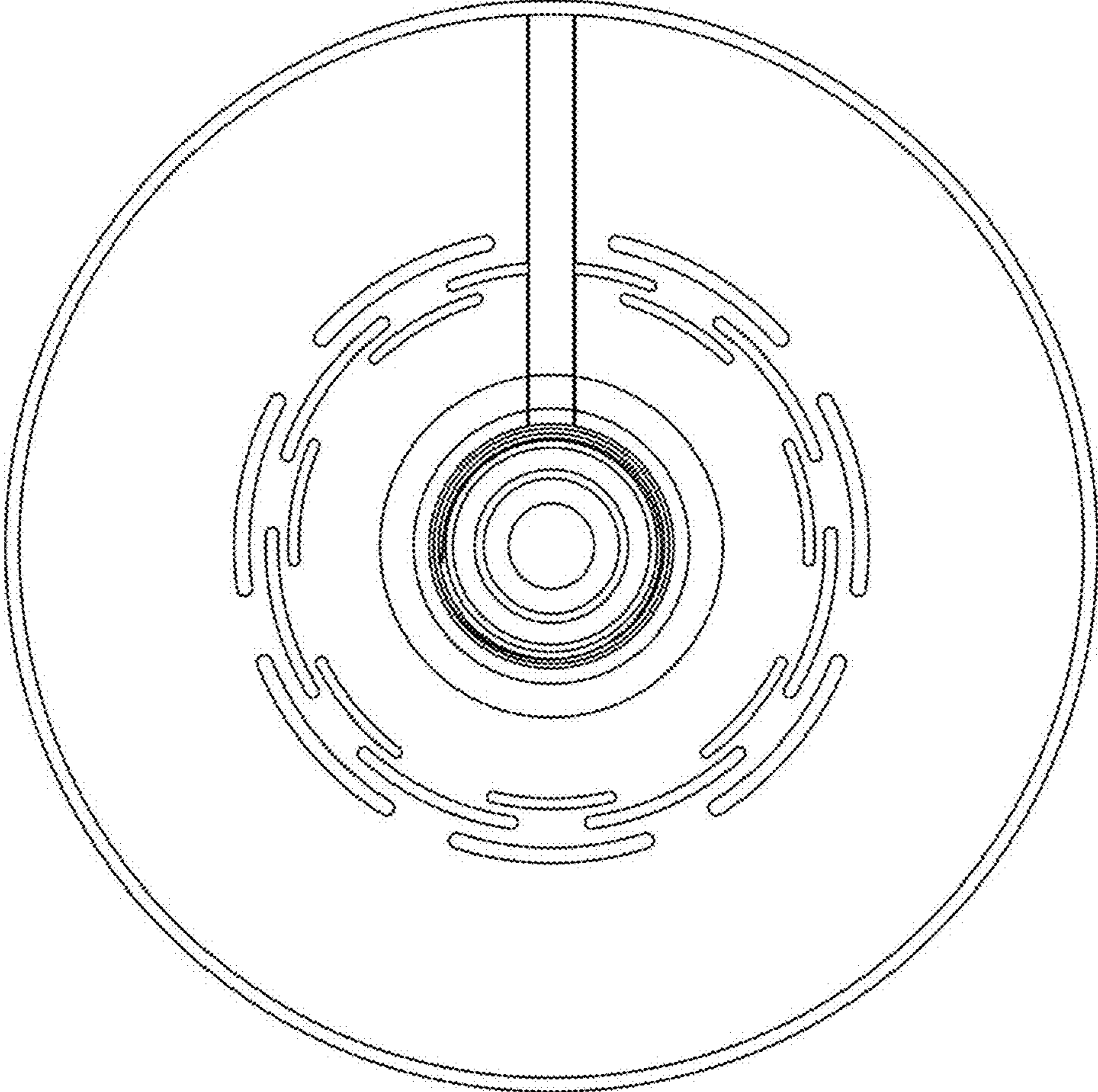


FIG. 5

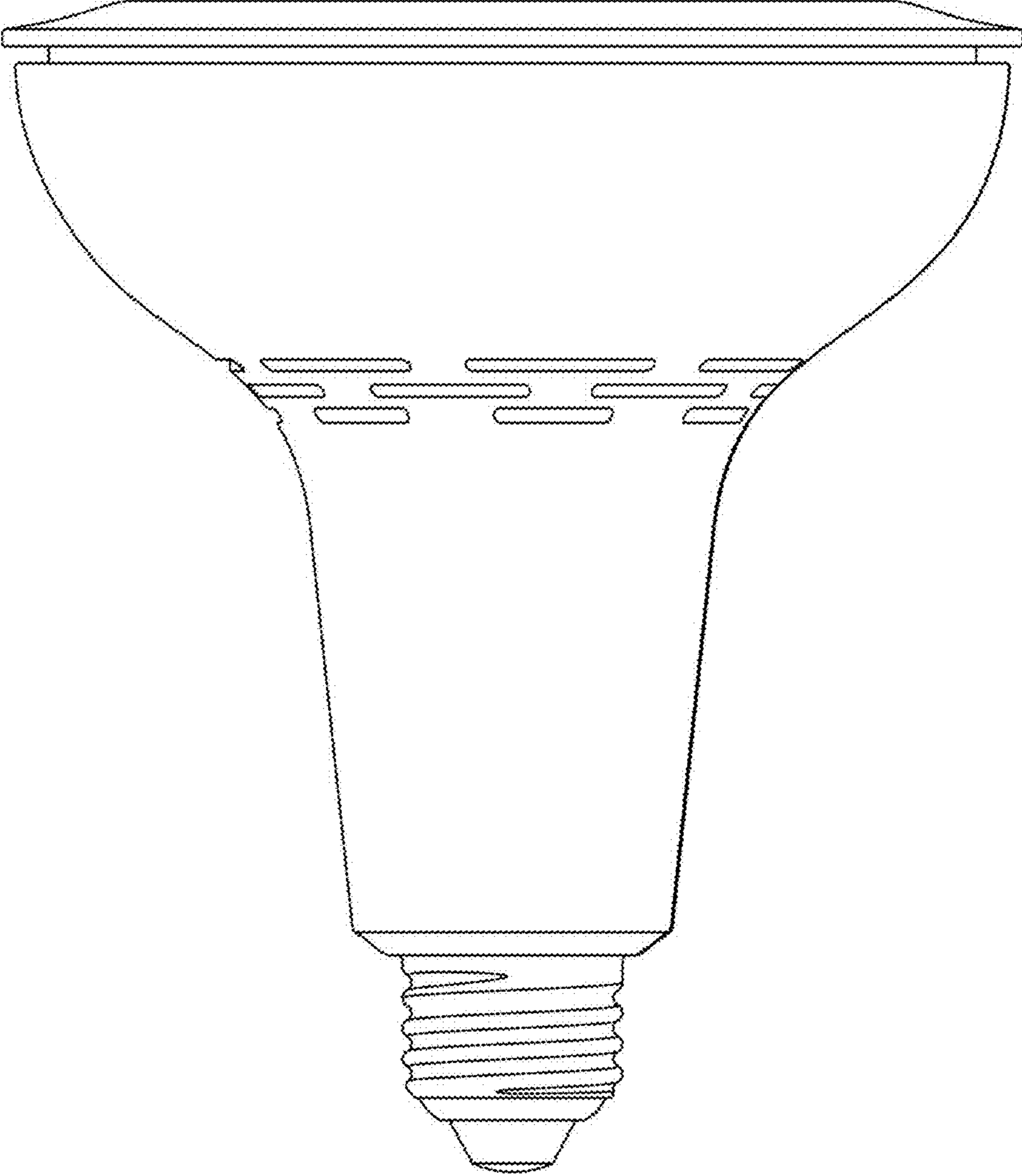


FIG. 6

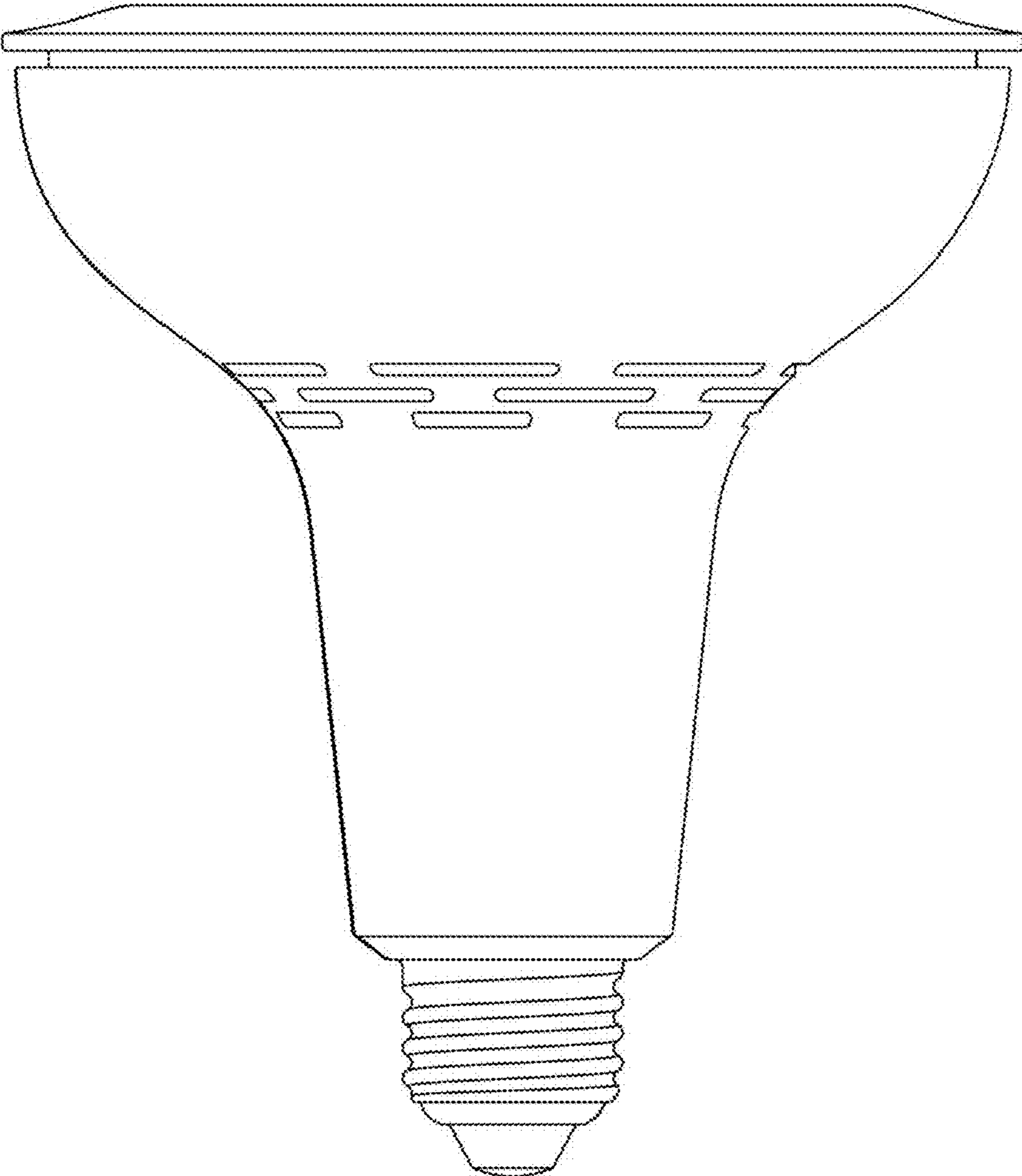


FIG. 7