



US00D743582S

(12) **United States Design Patent**
Barr et al.

(10) **Patent No.:** **US D743,582 S**

(45) **Date of Patent:** **** Nov. 17, 2015**

(54) **LIGHT FIXTURE**

D584,838 S * 1/2009 To et al. D26/2
D646,802 S * 10/2011 Guohui D26/2
D695,426 S * 12/2013 Tu D26/2

(71) Applicants: **Tom Barr**, Vista, CA (US); **Craig Barr**,
Vista, CA (US)

* cited by examiner

(72) Inventors: **Tom Barr**, Vista, CA (US); **Craig Barr**,
Vista, CA (US)

Primary Examiner — Marcus Jackson

(74) *Attorney, Agent, or Firm* — San Diego IP Law Group
LLP

(**) Term: **14 Years**

(21) Appl. No.: **29/493,170**

(22) Filed: **Jun. 5, 2014**

(51) **LOC (10) Cl.** **26-04**

(52) **U.S. Cl.**

USPC **D26/2**

(58) **Field of Classification Search**

USPC D26/1-4; 313/313, 315, 316, 317, 318,
313/493; 315/52, 53, 56, 57, 58

See application file for complete search history.

(56) **References Cited**

U.S. PATENT DOCUMENTS

D553,266 S * 10/2007 Maxik D26/2
D566,300 S * 4/2008 Lo D26/2

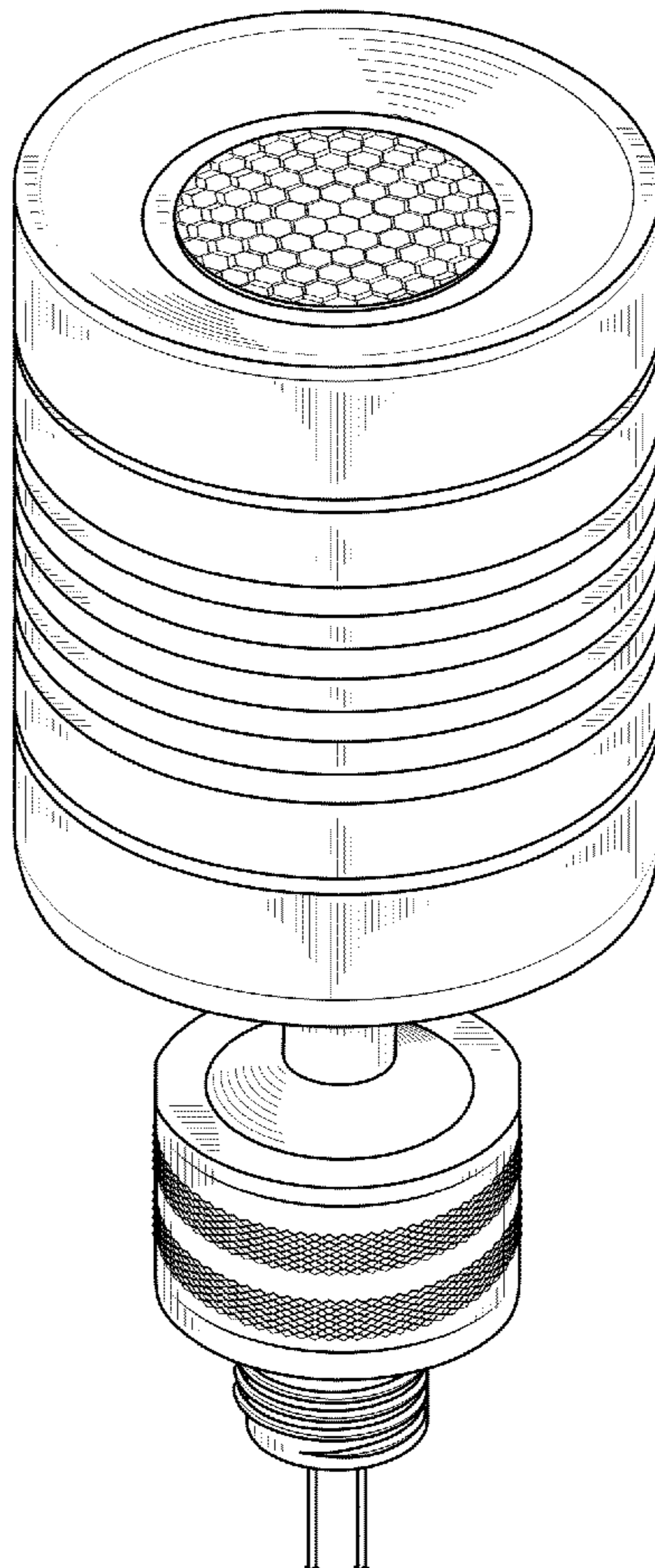
(57) **CLAIM**

We claim the ornamental design for a light fixture, as shown
and described.

DESCRIPTION

FIG. 1 is a perspective view of a light fixture;
FIG. 2 is a front view thereof;
FIG. 3 is a rear view thereof;
FIG. 4 is a side view thereof;
FIG. 5 is an opposite side view thereof;
FIG. 6 is a top plan view thereof; and,
FIG. 7 is a bottom view thereof.

1 Claim, 4 Drawing Sheets



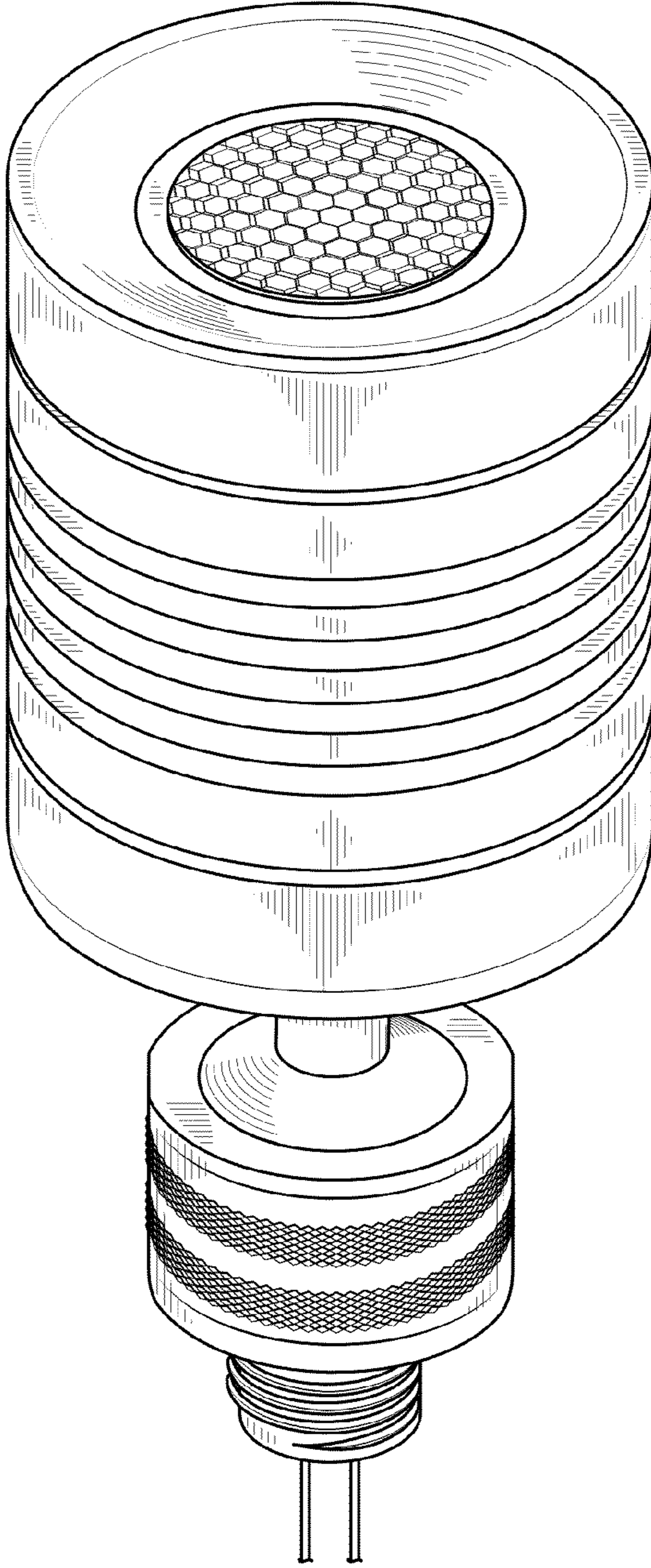


FIG. 1

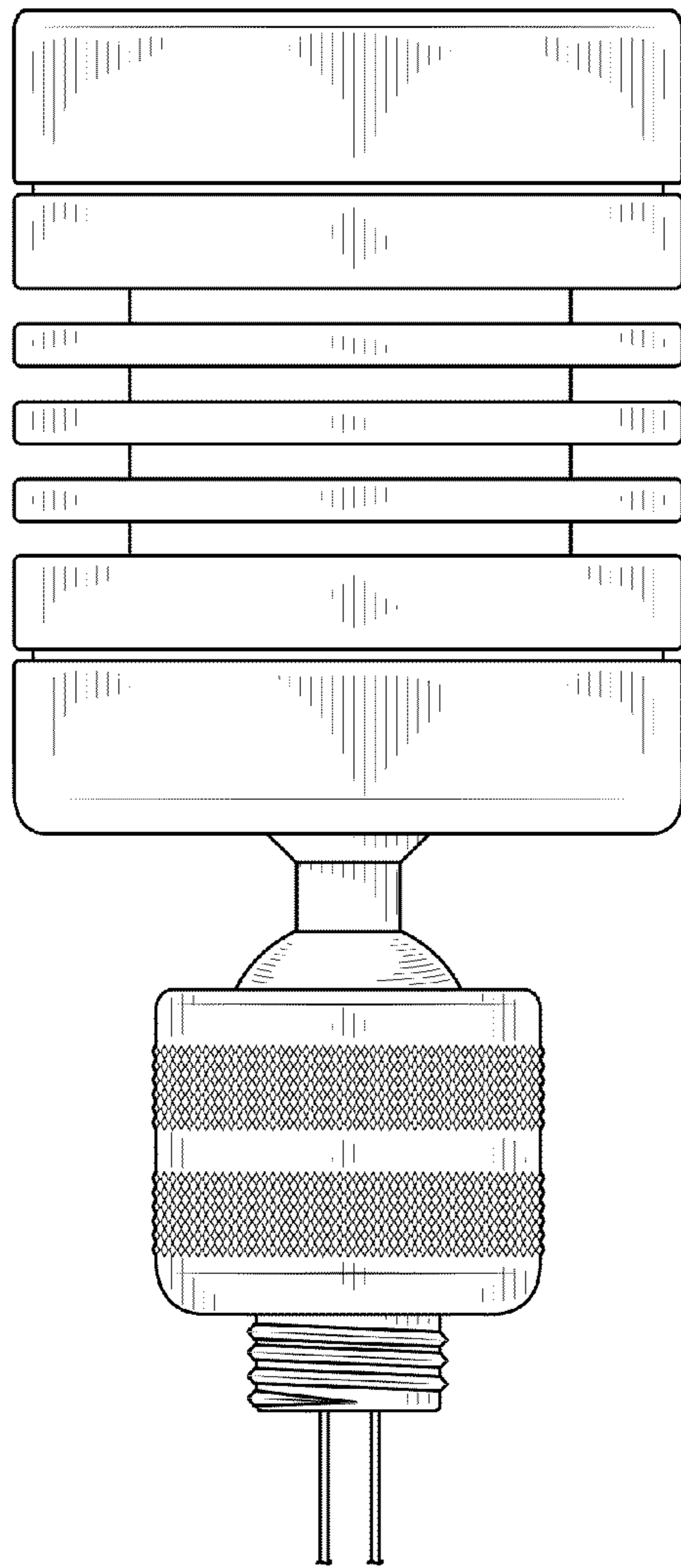


FIG. 2

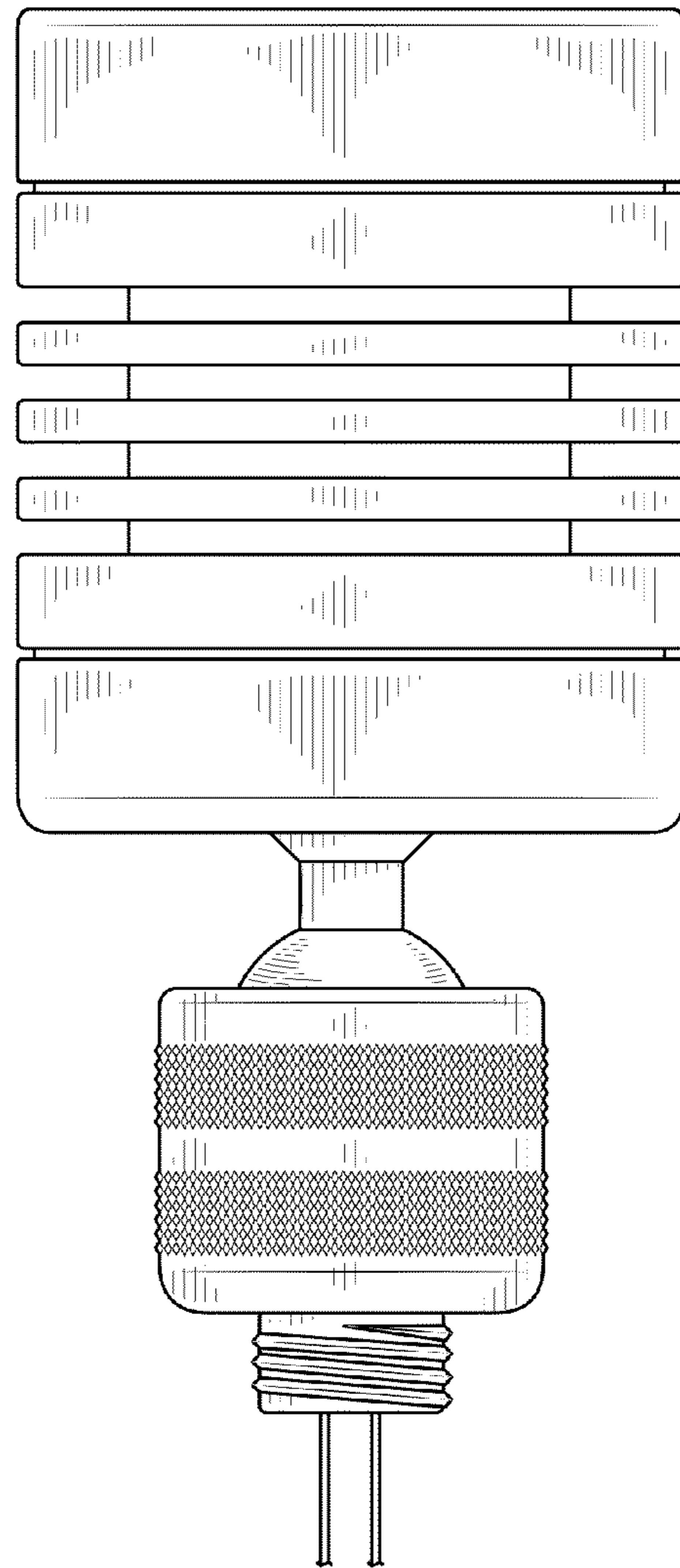


FIG. 3

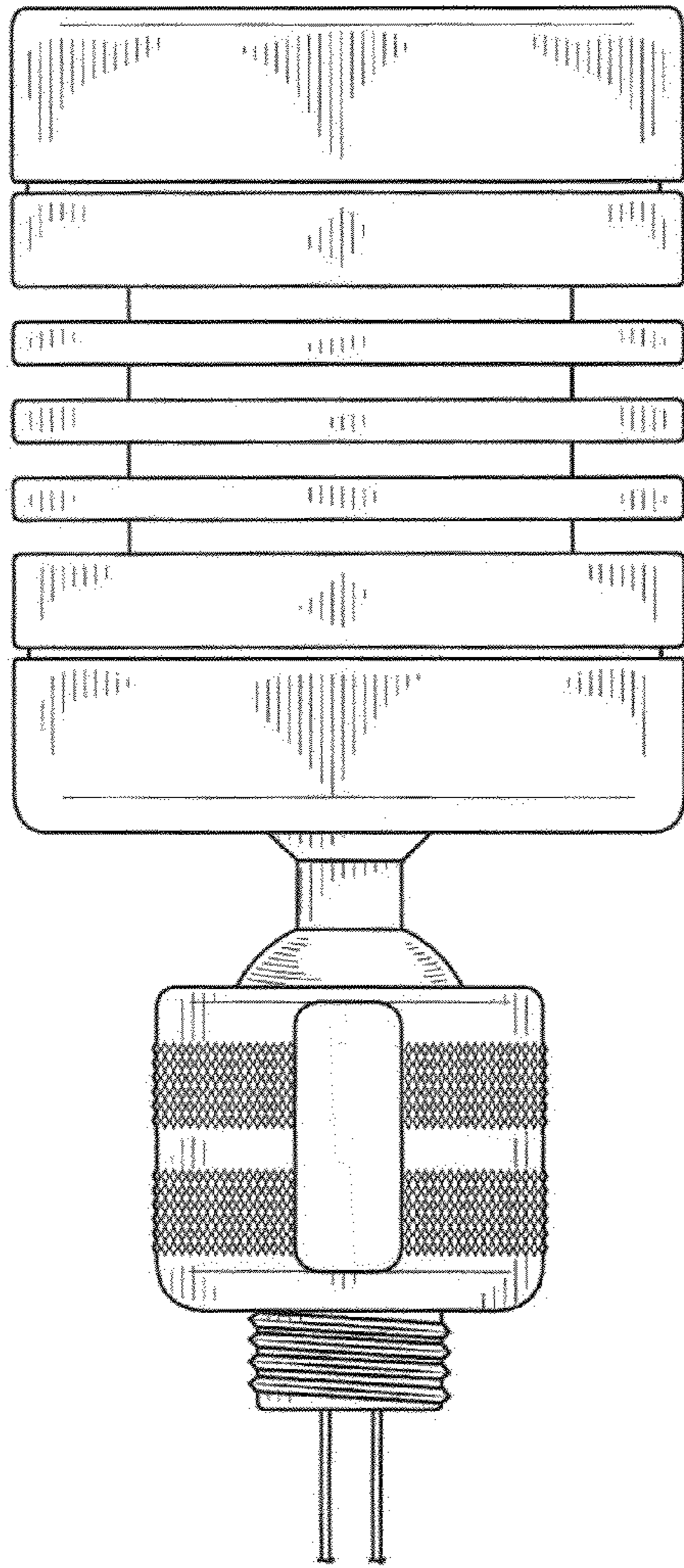


FIG. 4

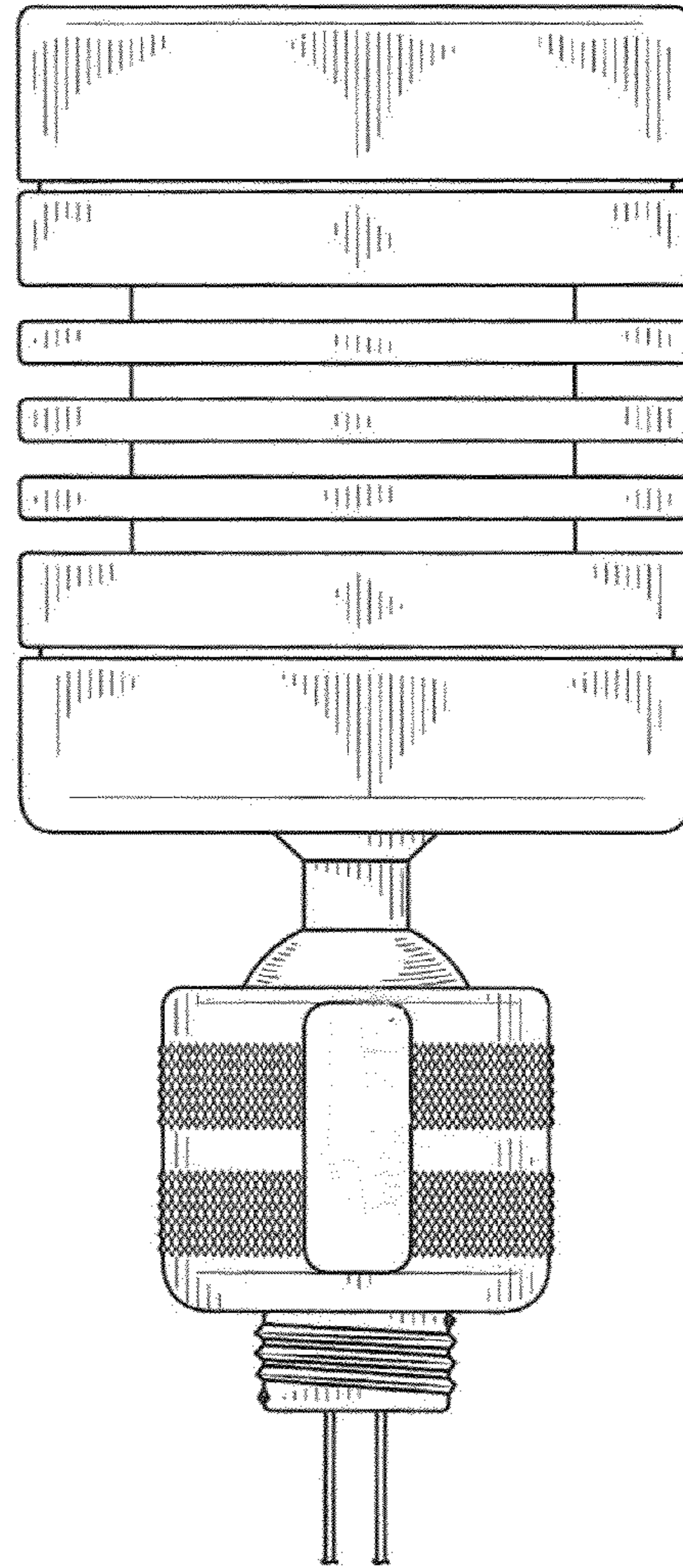


FIG. 5

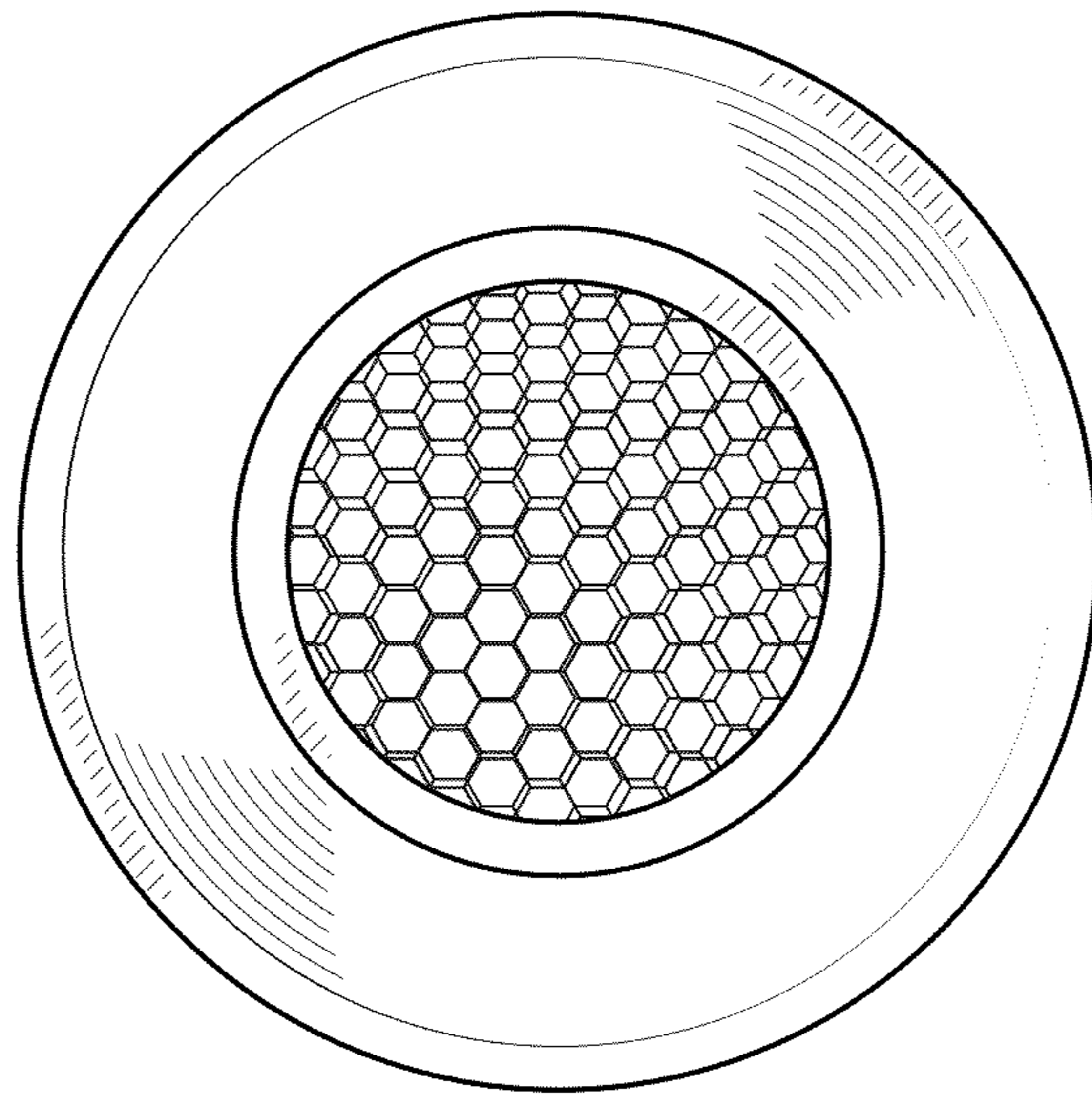


FIG. 6

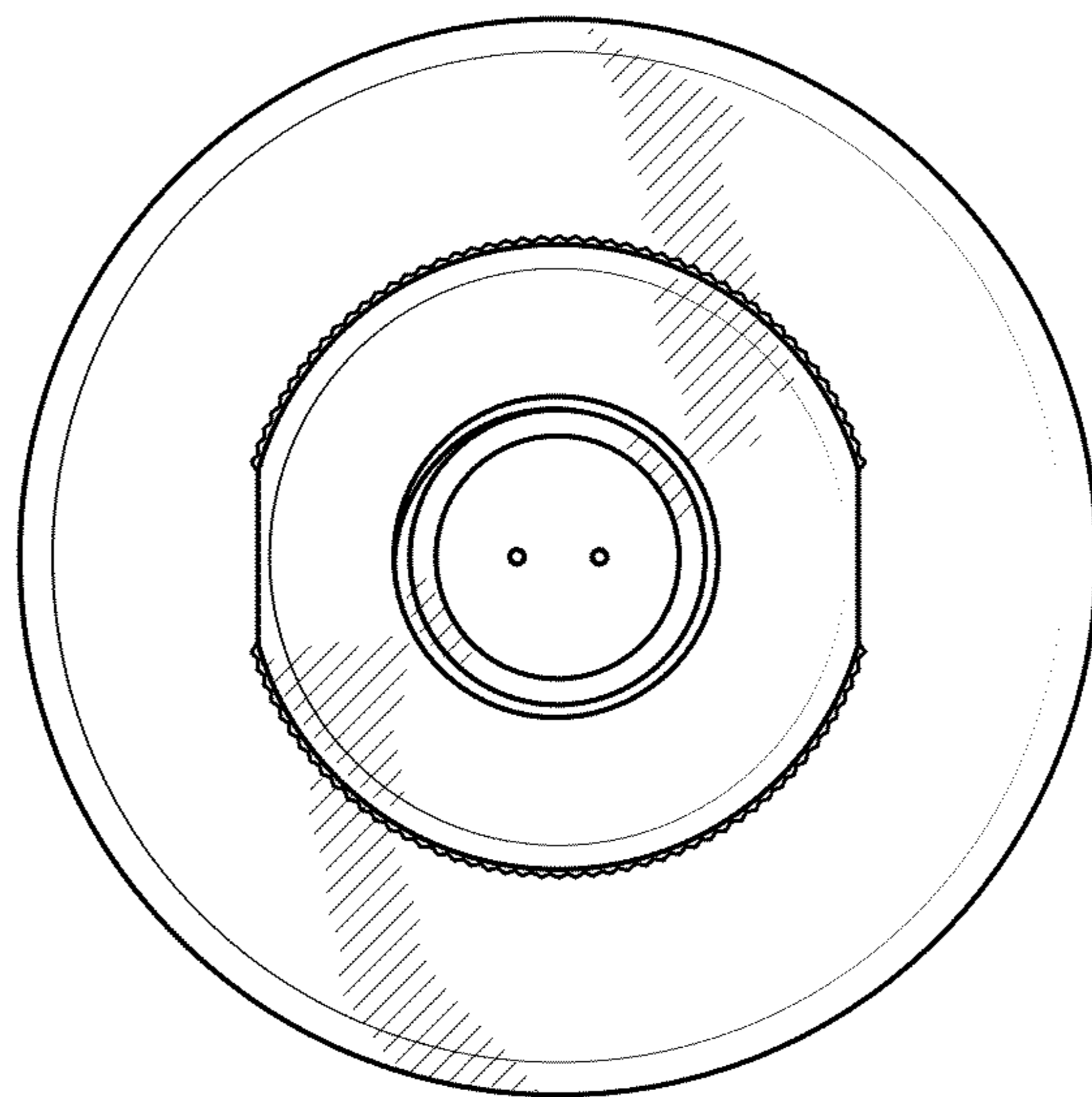


FIG. 7