



US00D743581S

(12) **United States Design Patent**
Wakiyama et al.

(10) **Patent No.:** **US D743,581 S**

(45) **Date of Patent:** **** Nov. 17, 2015**

(54) **REINFORCING BAR**

(71) Applicant: **Akira Fukuda**, Osaka (JP)

(72) Inventors: **Kozo Wakiyama**, Ibaraki (JP); **Keiji Hirai**, Kanda-machi (JP); **Akira Fukuda**, Toyonaka (JP)

(73) Assignee: **Akira Fukuda**, Osaka (JP)

(**) Term: **14 Years**

(21) Appl. No.: **29/463,867**

(22) Filed: **Mar. 21, 2014**

(30) **Foreign Application Priority Data**

Oct. 3, 2013 (JP) 2013-023177

(51) **LOC (10) Cl.** **25-99**

(52) **U.S. Cl.**
USPC **D25/199**

(58) **Field of Classification Search**

USPC 52/40.1, 738.1, 740.2, 740.6, 414, 432,
52/396.02, 514, 851-853; 404/45, 70,
404/134; D25/135, 199

CPC E04C 5/00; E04C 5/12; E04C 5/122;
E04C 5/125; E04C 5/127; E04C 2/06

See application file for complete search history.

(56) **References Cited**

U.S. PATENT DOCUMENTS

2,113,322	A *	4/1938	Henderich	52/850
2,256,060	A *	9/1941	Stites	52/857
2,324,651	A *	7/1943	Stites	52/857
2,376,761	A *	5/1945	Fahy	52/853
2,377,980	A *	6/1945	Surerus	52/853
3,312,035	A *	4/1967	Van Koot	52/851
4,127,354	A *	11/1978	Mixon, Jr.	403/279
4,362,423	A *	12/1982	Miles	403/393

4,388,791	A *	6/1983	Anderson	52/719
5,729,952	A *	3/1998	Dahl	403/269
2008/0307741	A1 *	12/2008	Comerford et al.	52/677

* cited by examiner

Primary Examiner — Michael A Pratt

(57) **CLAIM**

The ornamental design for a reinforcing bar, as shown and described.

DESCRIPTION

FIG. 1 is a front elevational view of a reinforcing bar according to a first embodiment of our new design, the rear elevational view being a mirror image of that shown;

FIG. 2 is a left side elevational view thereof, the right side view being a mirror image of that shown;

FIG. 3 is a top plan view thereof, the bottom plan view being a mirror image of that shown;

FIG. 4 is a cross sectional view taken along line 4-4 in FIG. 1;

FIG. 5 is a perspective view showing an end portion thereof;

FIG. 6 is a front elevational view of a reinforcing bar according to a second embodiment of our new design, the rear elevational view being a mirror image of that shown;

FIG. 7 is a left side elevational view thereof, the right side view being a mirror image of that shown;

FIG. 8 is a top plan view thereof, the bottom plan view being a mirror image of that shown;

FIG. 9 is a cross sectional view taken along line 9-9 in FIG. 6; and,

FIG. 10 is a front elevational view thereof in a position of use.

The claimed design as shown in FIGS. 1, 3, 6 and 8 is broken away to indicate that no particular length is claimed.

The broken lines in FIG. 10 is included for the purpose of illustrating environment and forms no part of the claimed design.

1 Claim, 6 Drawing Sheets

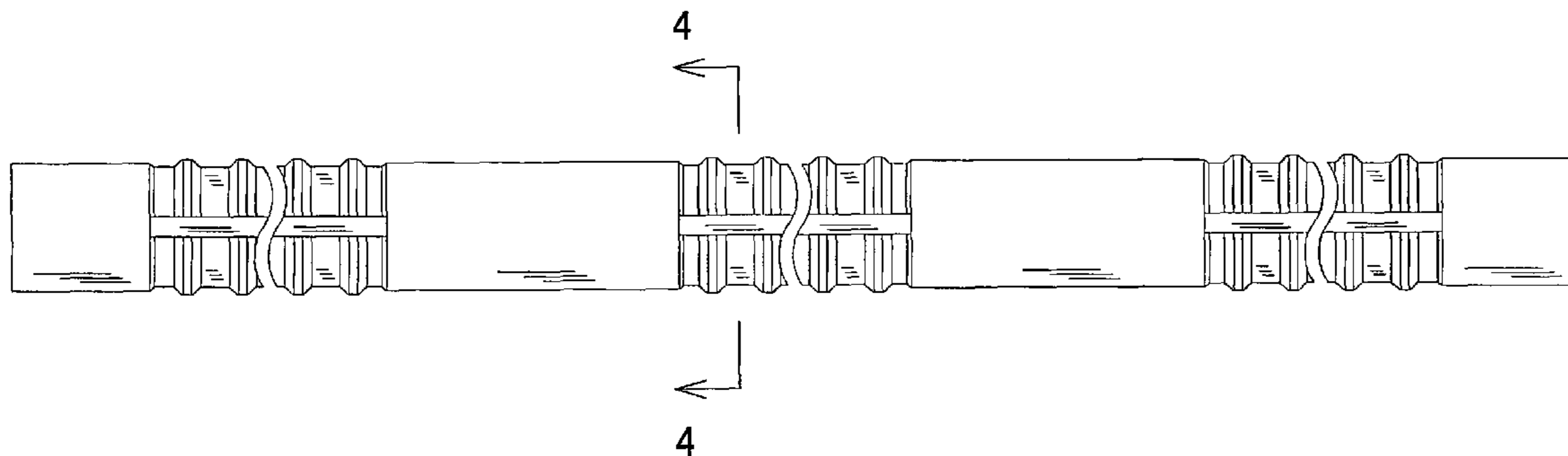


Fig. 1

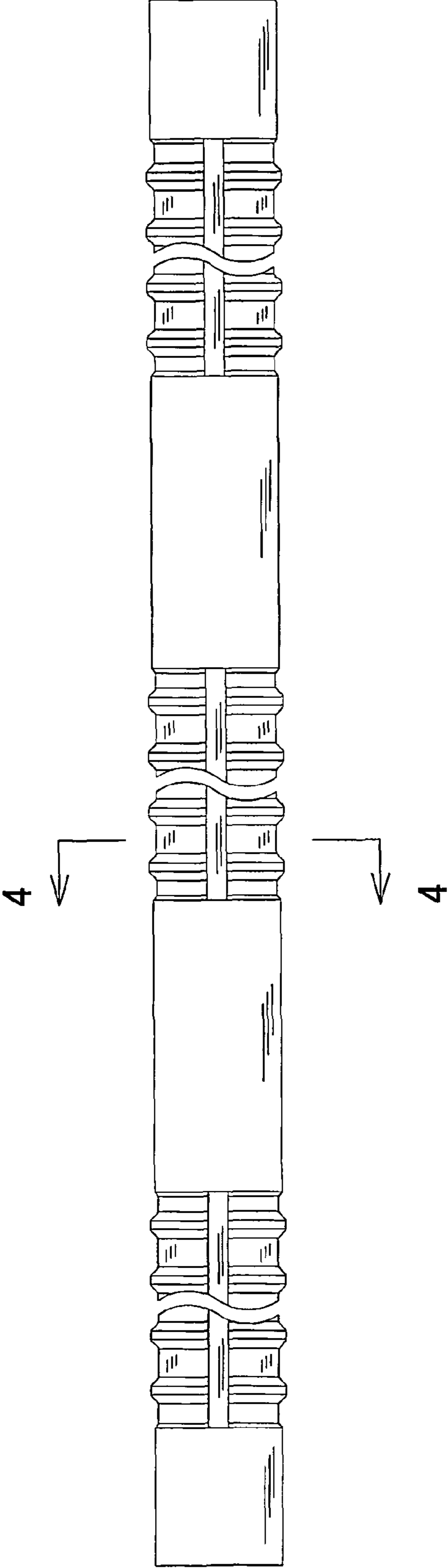


Fig. 2

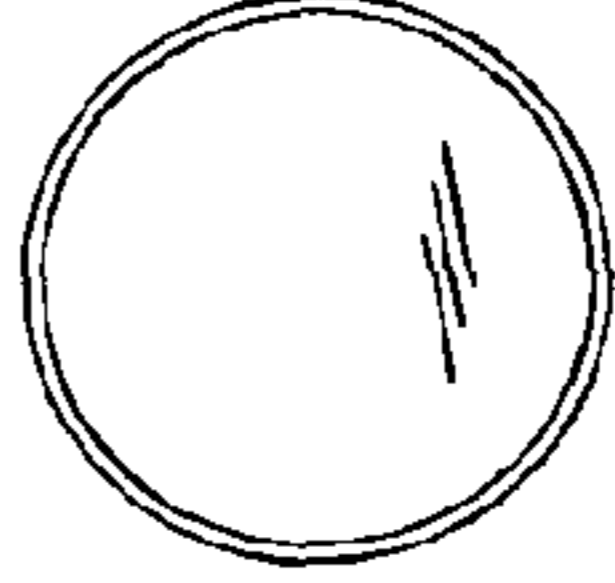


Fig. 3

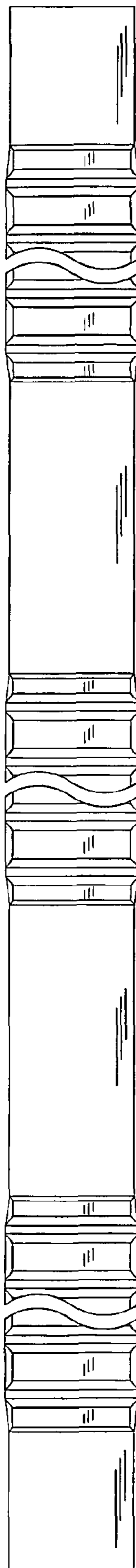
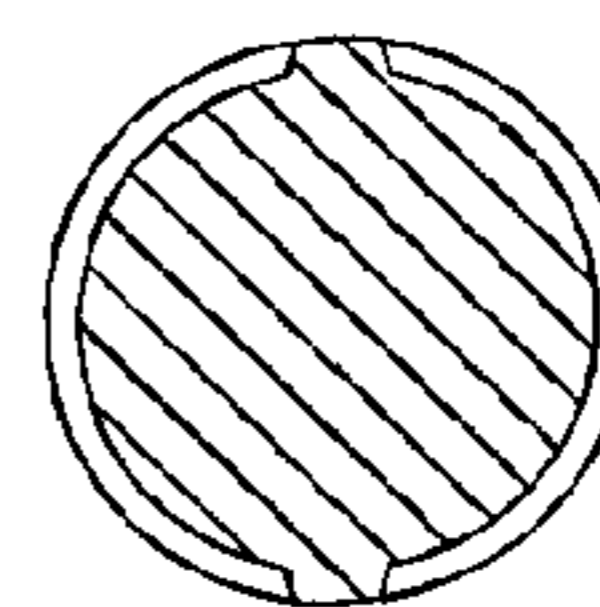


Fig. 4



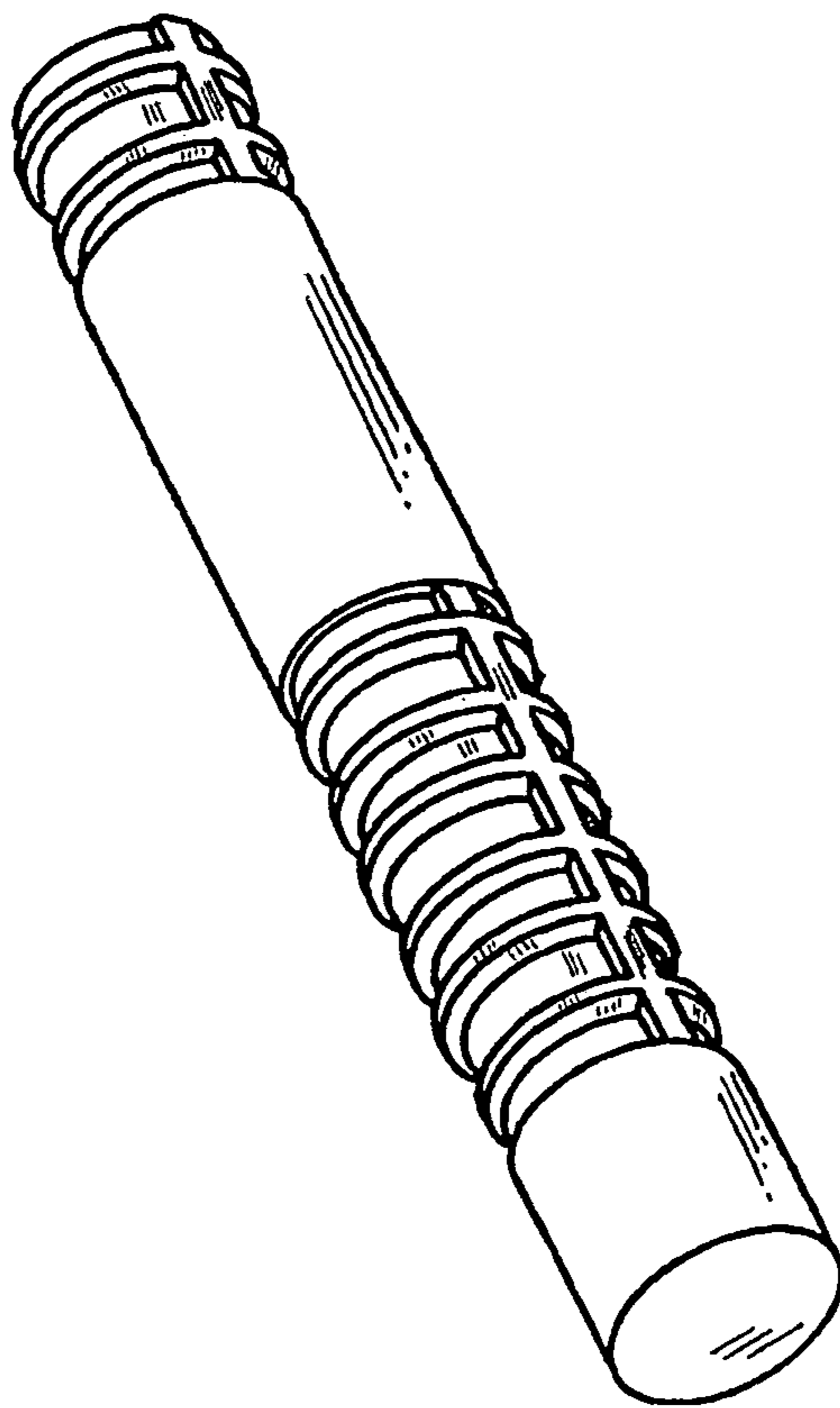


Fig. 5

Fig. 6

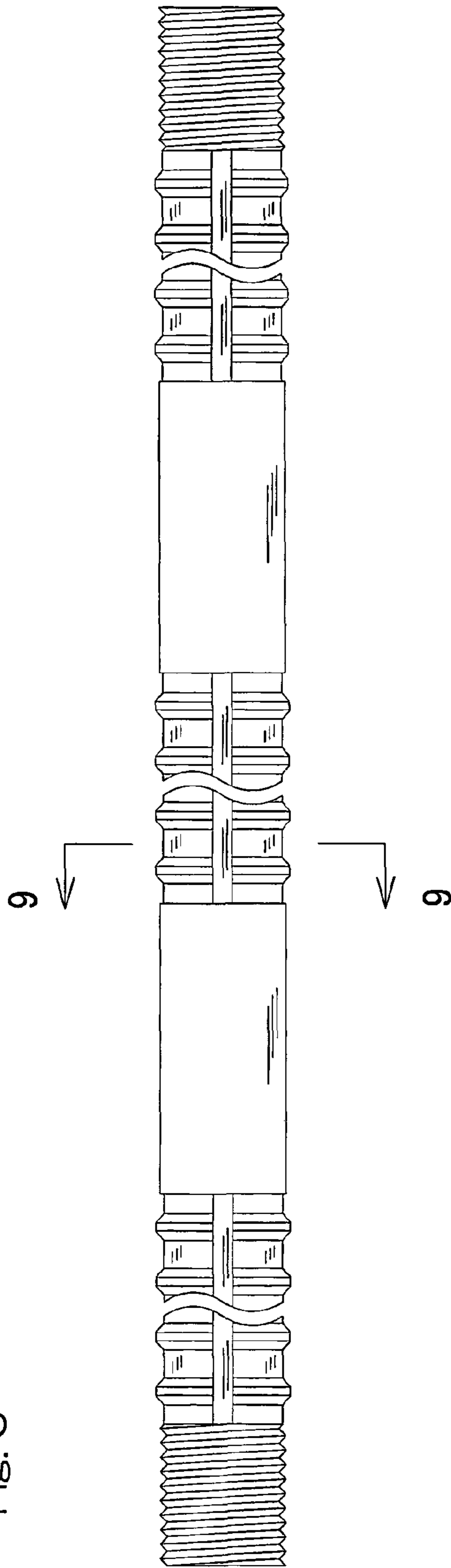


Fig. 7

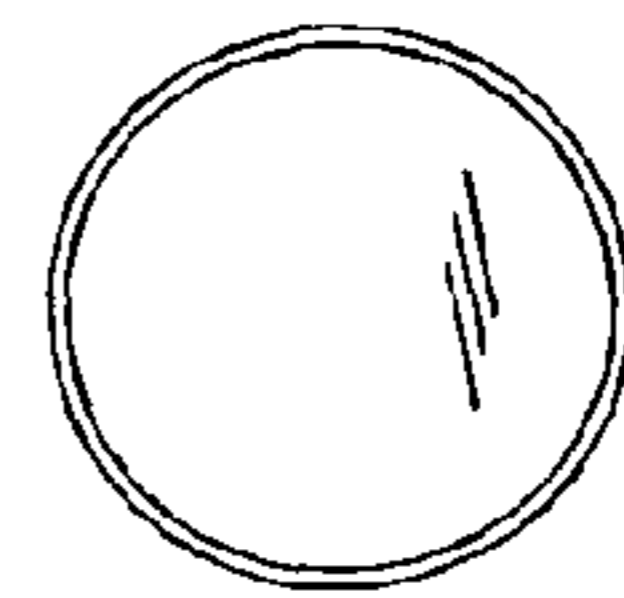


Fig. 8

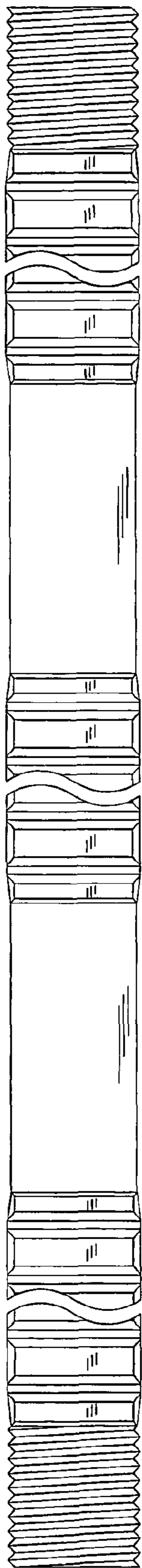
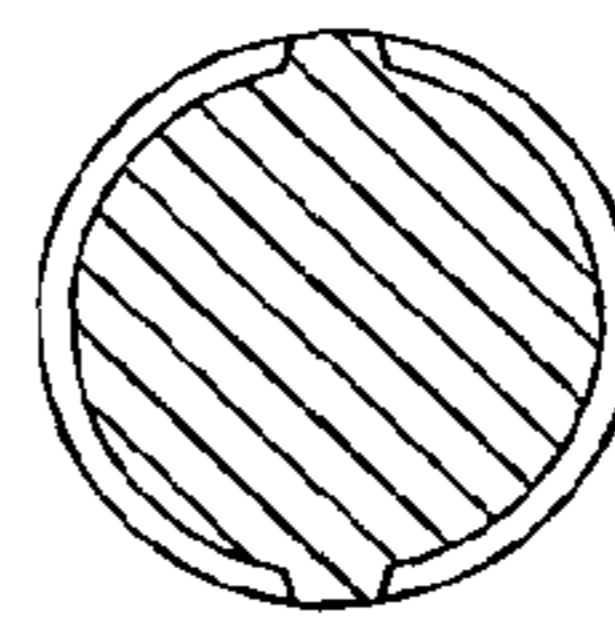


Fig. 9



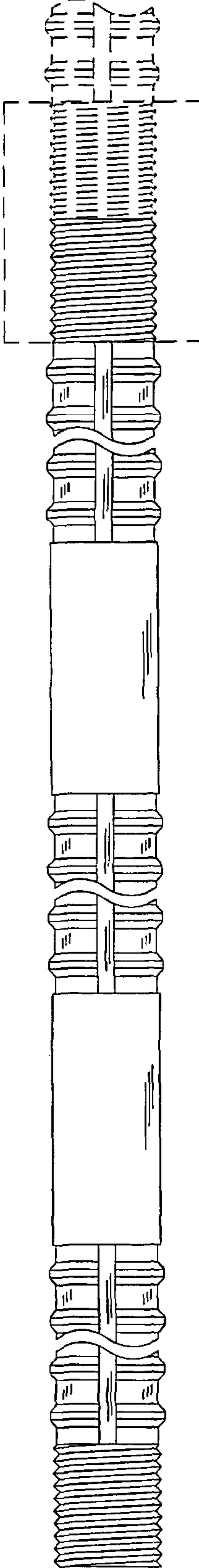


Fig. 10