



US00D743579S

(12) **United States Design Patent**  
**Tarn**

(10) **Patent No.:** **US D743,579 S**

(45) **Date of Patent:** **\*\* Nov. 17, 2015**

(54) **FLOORING MODULE**

(71) Applicant: **Bole OÜ**, Paldiski (Harju maakond) (EE)

(72) Inventor: **Hannes Tarn**, Tallinn (EE)

(73) Assignee: **BOLE OÜ**, Paldiski (Harju Maakond) (EE)

(\*\*) Term: **14 Years**

(21) Appl. No.: **29/480,231**

(22) Filed: **Jan. 24, 2014**

(30) **Foreign Application Priority Data**

Jul. 25, 2013 (EE) ..... D201300039

(51) **LOC (10) Cl.** ..... **25-01**

(52) **U.S. Cl.**  
USPC ..... **D25/138**

(58) **Field of Classification Search**

USPC ..... D5/43, 56, 60, 61, 99; D6/583, 585,  
D6/592; D25/138, 139, 140, 141, 149,  
D25/150, 151, 152, 53, 156, 157, 160, 164,  
D25/199

CPC ..... E04B 1/3511; E04B 5/00; E04F 13/0862;  
E04F 15/02; E04F 15/02405; E04F 15/04;  
E04F 15/041; E04F 15/045; E04F 15/048;  
E04F 15/105; E04F 15/107

See application file for complete search history.

(56) **References Cited**

**U.S. PATENT DOCUMENTS**

3,385,743 A \* 5/1968 Backberg ..... 428/191  
7,003,923 B2 \* 2/2006 Van der Heijden ..... 52/391  
D656,247 S \* 3/2012 De Lucchi ..... D25/138

D663,861 S \* 7/2012 Thomassen ..... D25/113  
D665,211 S \* 8/2012 Bender et al. .... D6/588  
8,241,039 B2 \* 8/2012 Bender et al. .... 434/72  
D687,572 S \* 8/2013 Thibodeau et al. .... D25/138  
D697,738 S \* 1/2014 Bender et al. .... D6/588  
D712,570 S \* 9/2014 Narbonne ..... D25/163  
D714,968 S \* 10/2014 Martin et al. .... D25/157  
D731,086 S \* 6/2015 Martin et al. .... D25/163  
2006/0174566 A1 \* 8/2006 Tsukada ..... 52/384  
2013/0091788 A1 \* 4/2013 Lee et al. .... 52/177  
2013/0269280 A1 \* 10/2013 Stone ..... 52/588.1  
2013/0326989 A1 \* 12/2013 Hartert et al. .... 52/578

\* cited by examiner

*Primary Examiner* — Eric Goodman

*Assistant Examiner* — Amy Wierenga

(74) *Attorney, Agent, or Firm* — Abelman, Frayne & Schwab

(57) **CLAIM**

The ornamental design for a flooring module, as shown and described.

**DESCRIPTION**

FIG. 1 is a top plan of a flooring module showing the new design;

FIG. 2 is a top, front and right side perspective view thereof;

FIG. 3 is a right side elevation thereof;

FIG. 4 is a left side elevation thereof;

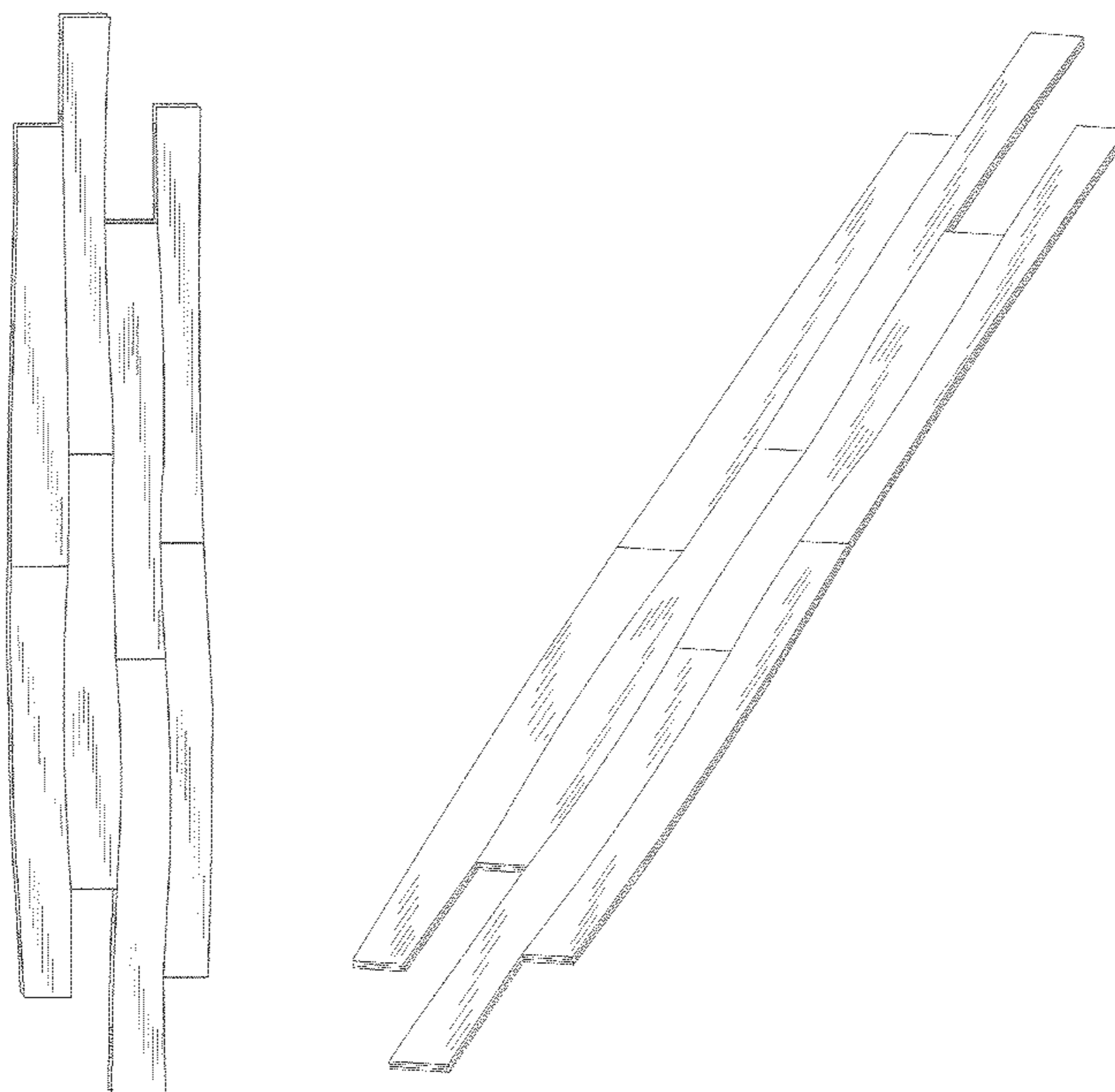
FIG. 5 is an enlarged rear elevation thereof;

FIG. 6 is an enlarged front elevation thereof; and,

FIG. 7 is a top plan view showing the flooring module in a position of use within a portion of a floor.

The broken lines shown in FIG. 7 depict portions of the flooring module that are not claimed and that are included to show the design in a position of use.

**1 Claim, 5 Drawing Sheets**



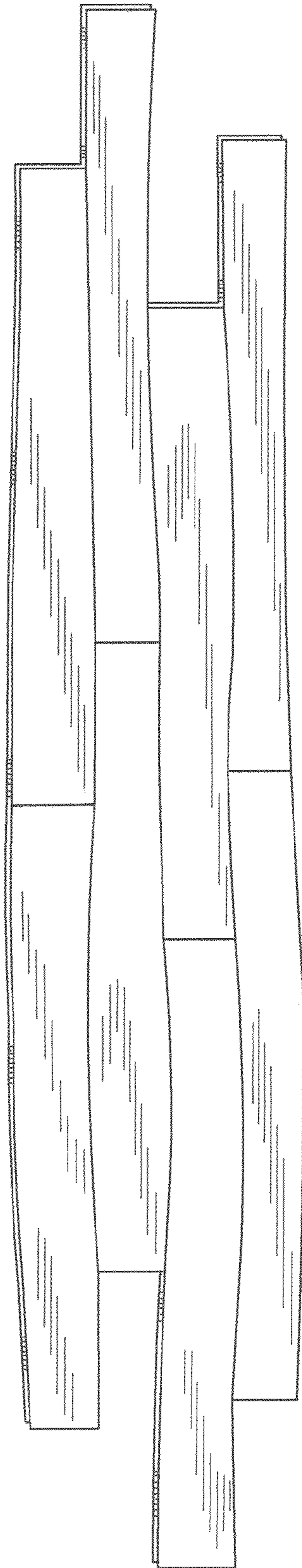


FIG. 1

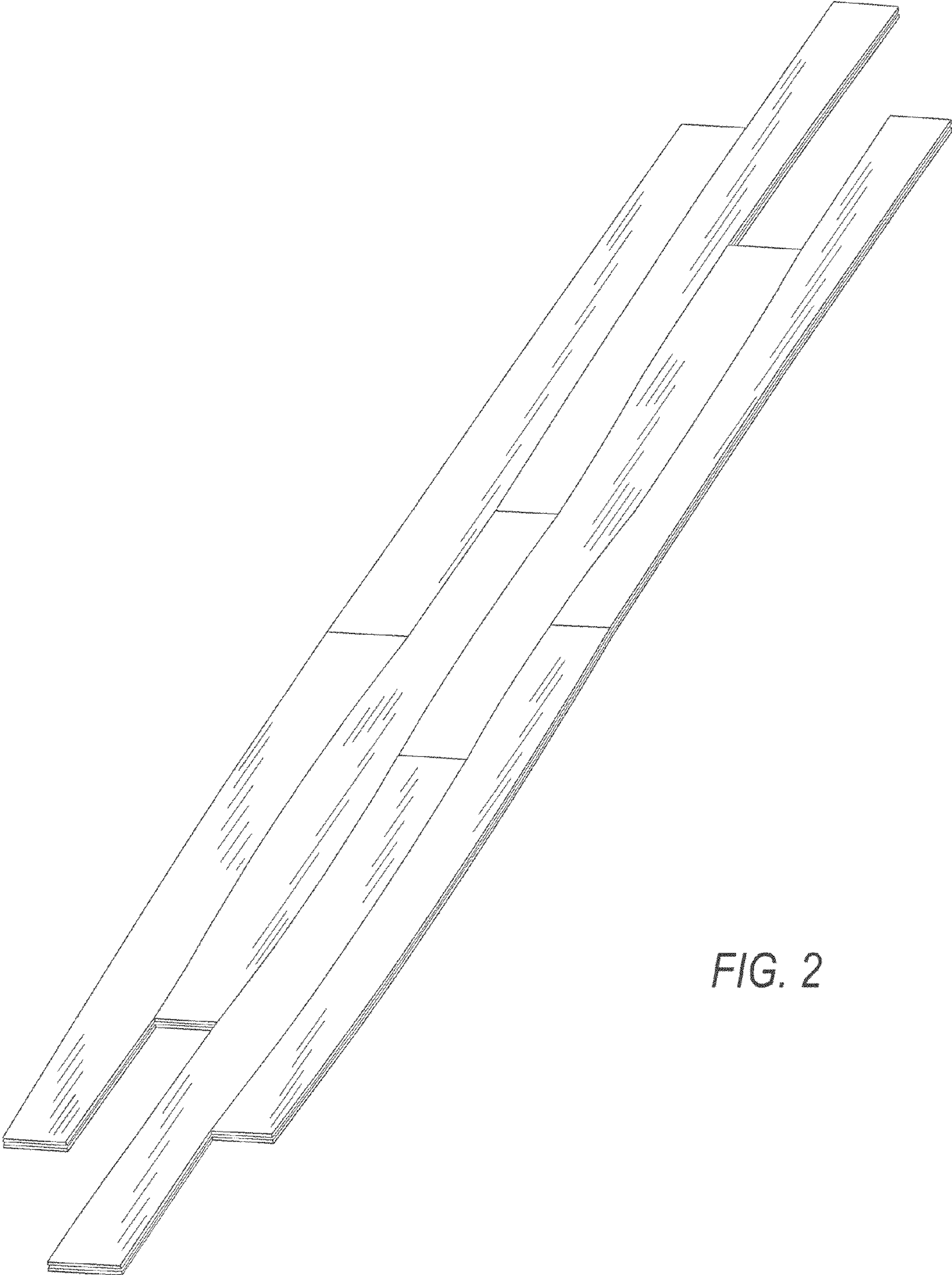


FIG. 2



FIG. 3



FIG. 5



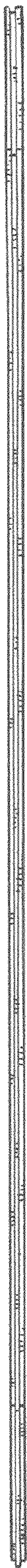


FIG. 4



FIG. 6

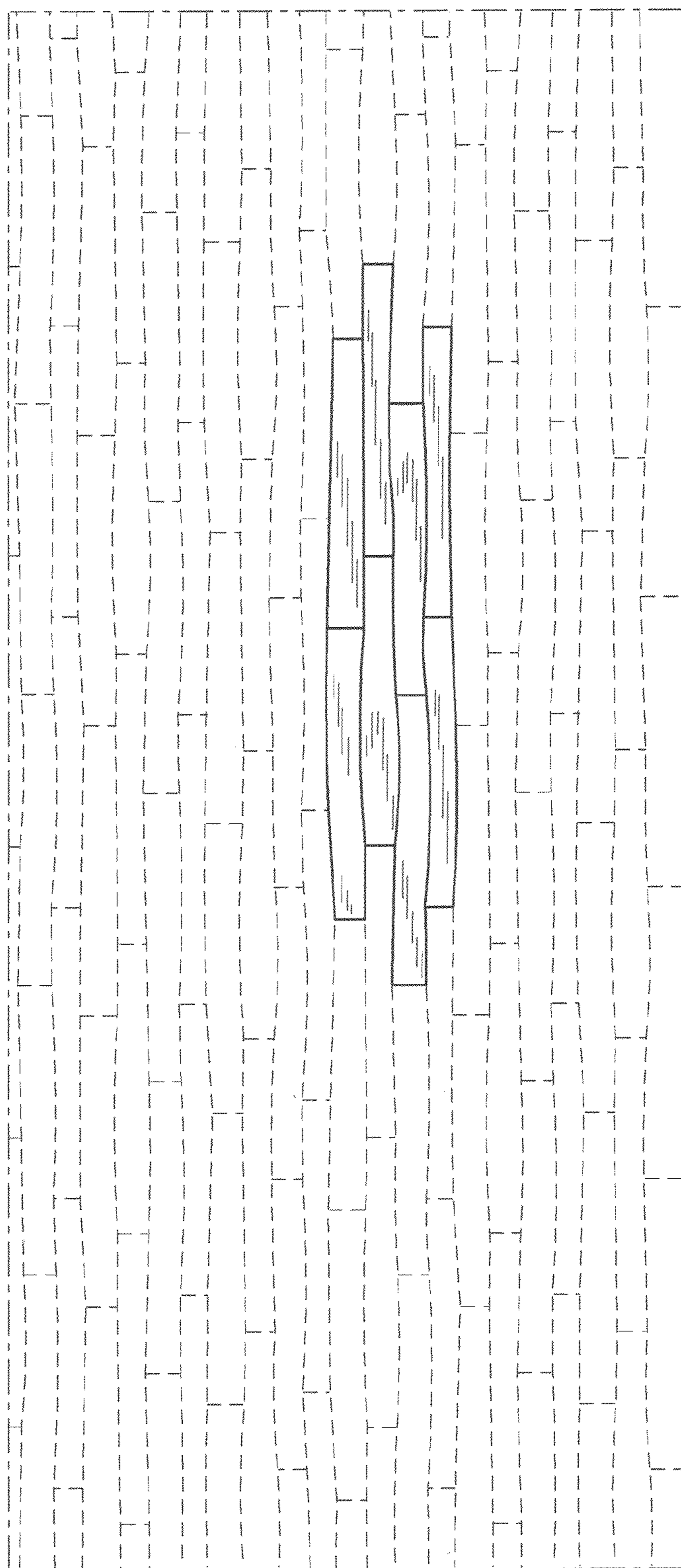


FIG. 7