



US00D743578S

(12) **United States Design Patent**  
**Robert**

(10) **Patent No.:** **US D743,578 S**  
(45) **Date of Patent:** **\*\* Nov. 17, 2015**

(54) **BUILDING PANEL**

FOREIGN PATENT DOCUMENTS

(71) Applicant: **Placoplatre**, Suresnes (FR)

AU 2011101369 11/2011  
CA 1130973 A1 9/1982

(72) Inventor: **Eric Robert**, Suresnes (FR)

(Continued)

(73) Assignee: **Placoplatre**, Suresnes (FR)

OTHER PUBLICATIONS

(\*\*) Term: **14 Years**

European Patent Office, European Search Report, Jul. 24, 2013, 7 pages, European Patent Office, Munich, Germany.

(21) Appl. No.: **29/460,744**

(Continued)

(22) Filed: **Jul. 15, 2013**

*Primary Examiner* — Doris Clark

(30) **Foreign Application Priority Data**

(74) *Attorney, Agent, or Firm* — O'Connell Law Firm; Thomas P. O'Connell

Jan. 15, 2013 (EM) ..... 002167262-0001

(51) **LOC (10) Cl.** ..... **25-01**

(52) **U.S. Cl.**  
USPC ..... **D25/138**

(58) **Field of Classification Search**  
USPC ..... D25/138; 52/489.1, 489.2, 481.1, 714,  
52/483.1, 762

See application file for complete search history.

(57) **CLAIM**

I claim the new and ornamental design for a building panel, as shown and described.

(56) **References Cited**

**DESCRIPTION**

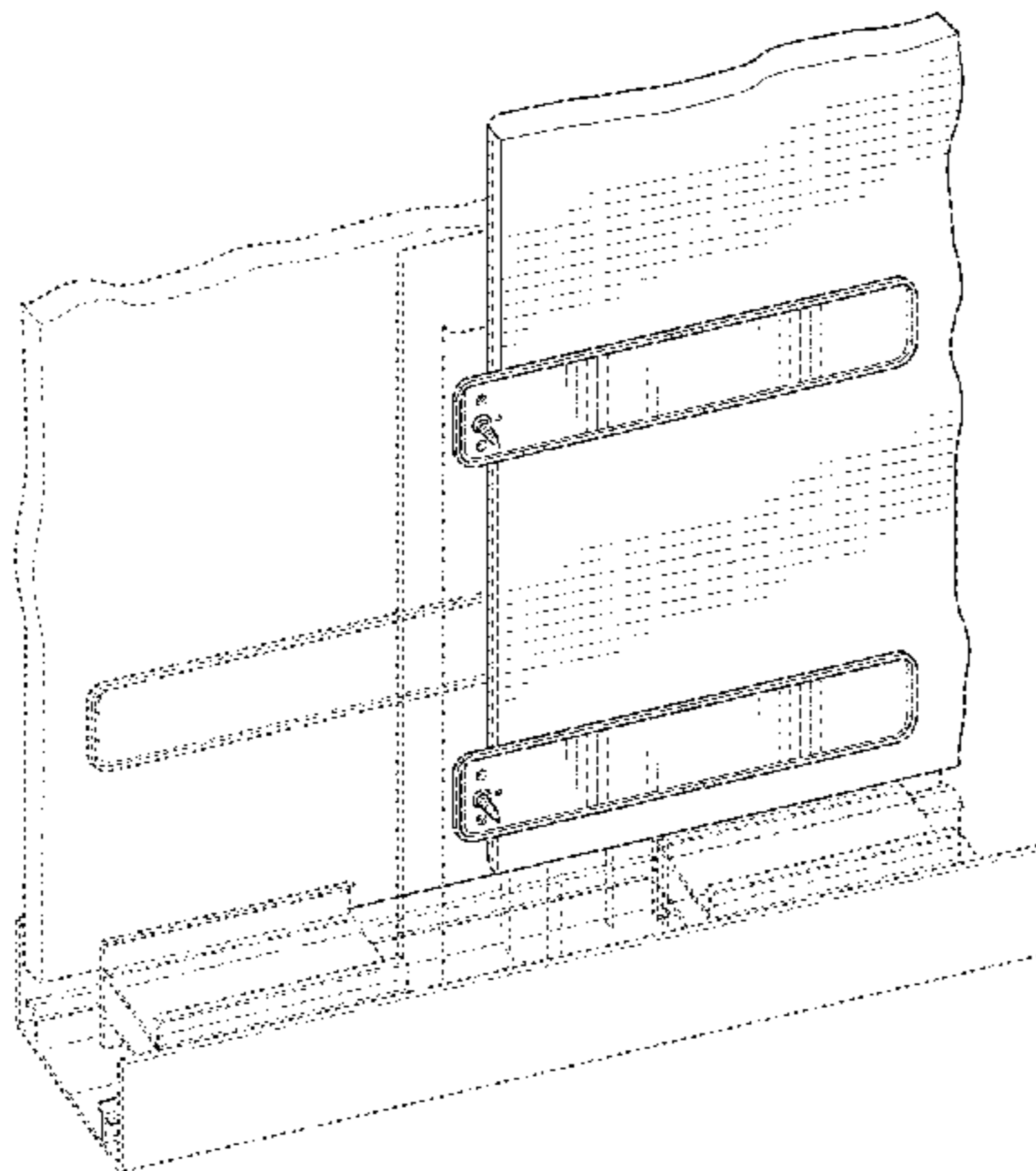
U.S. PATENT DOCUMENTS

3,722,928	A *	3/1973	Skubic	52/714
4,117,644	A	10/1978	Weinar	
4,128,979	A	12/1978	Price	
4,194,336	A	3/1980	Weinar	
4,263,764	A	4/1981	Wendt	
4,281,494	A	8/1981	Weinar	
4,448,007	A	5/1984	Adams	
4,498,272	A	2/1985	Adams	
4,782,642	A	11/1988	Conville	
4,831,808	A	5/1989	Wynar	
4,844,651	A	7/1989	Partridge	
5,060,434	A	10/1991	Allison	
5,345,739	A	9/1994	Menchetti	
5,408,796	A	4/1995	Hashimoto	
5,953,876	A	9/1999	Agar	
7,571,578	B2 *	8/2009	Moody et al.	52/481.1
D637,314	S *	5/2011	Zeeff	D25/119

FIG. 1 is an enlarged fragmented perspective view of a building panel showing my new design;  
FIG. 2 is a view in front elevation of a building panel according to my invention;  
FIG. 3 is a view in rear elevation of the building panel of FIG. 2;  
FIG. 4 is an enlarged view in front elevation of a portion of the building panel of FIG. 2;  
FIG. 5 is an enlarged view in rear elevation of a portion of the building panel of FIG. 2;  
FIG. 6 is an enlarged top plan view of a portion of the building panel of FIG. 2; and,  
FIG. 7 is an enlarged view in side elevation of a portion of the building panel of FIG. 2.  
The broken lines in FIG. 1 are for illustrative purposes only and form no part of the claimed design.

(Continued)

**1 Claim, 6 Drawing Sheets**



(56)

**References Cited**

U.S. PATENT DOCUMENTS

2004/0144049 A1 7/2004 Burken et al.  
2009/0019788 A1 1/2009 Lien

FOREIGN PATENT DOCUMENTS

CA 1148645 A1 6/1983  
CN 2288225 8/1998  
DE 202012102265 U1 9/2012  
DE 202013100161 2/2013  
EP 1790794 8/2006

GB 1291690 10/1972  
GB 2154685 9/1985  
GB 2207449 A 2/1989  
JP H01256641 A 10/1989  
KR 20020067756 8/2002  
WO WO2012084387 6/2012

OTHER PUBLICATIONS

Knauf Danoline A/S, Danopanel, knaufdanoline.fr website subpage, publication date unknown, retrieved Oct. 30, 2013, 1 page, Knauf Danoline A/S, France.

\* cited by examiner

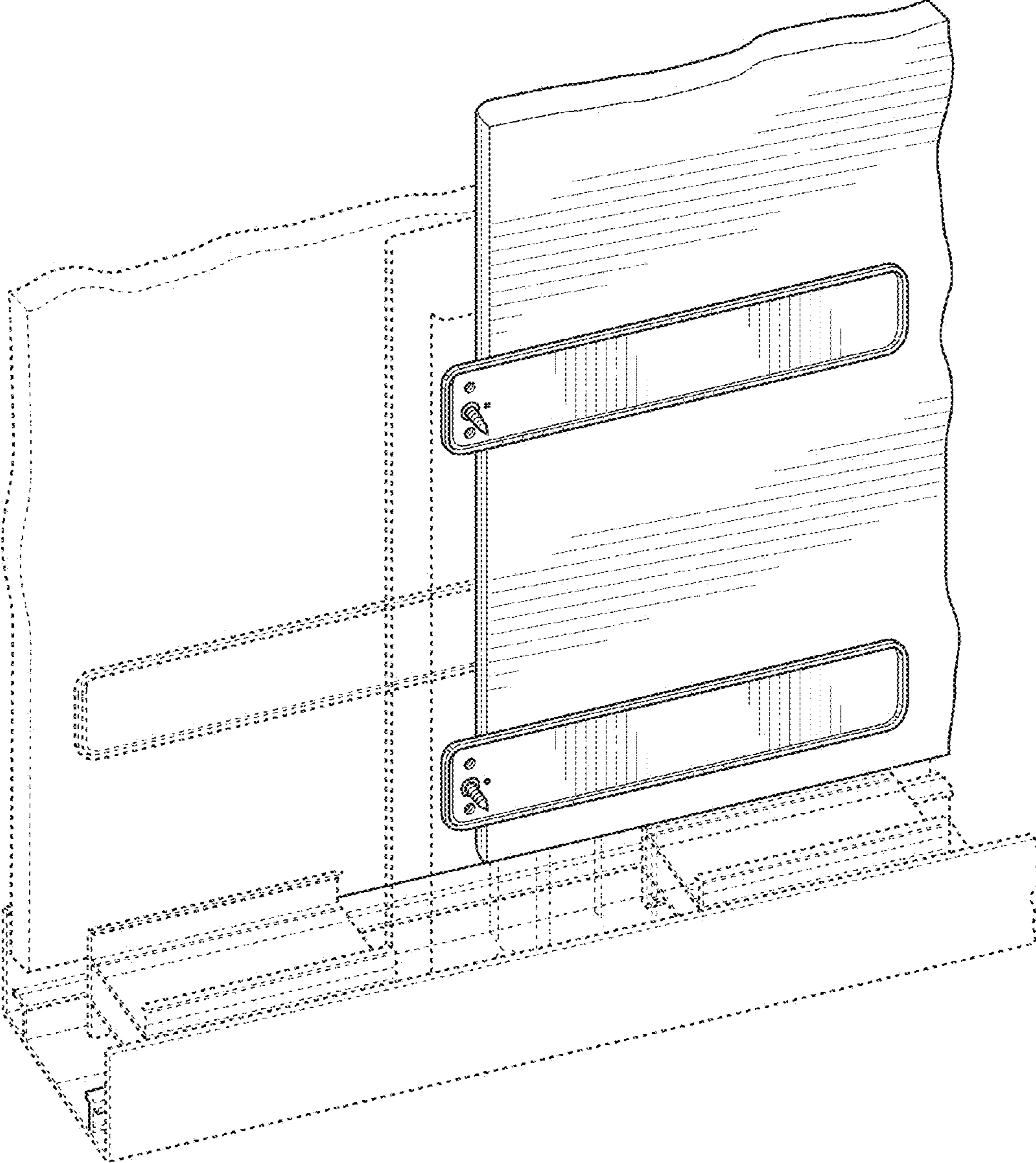


FIG. 1

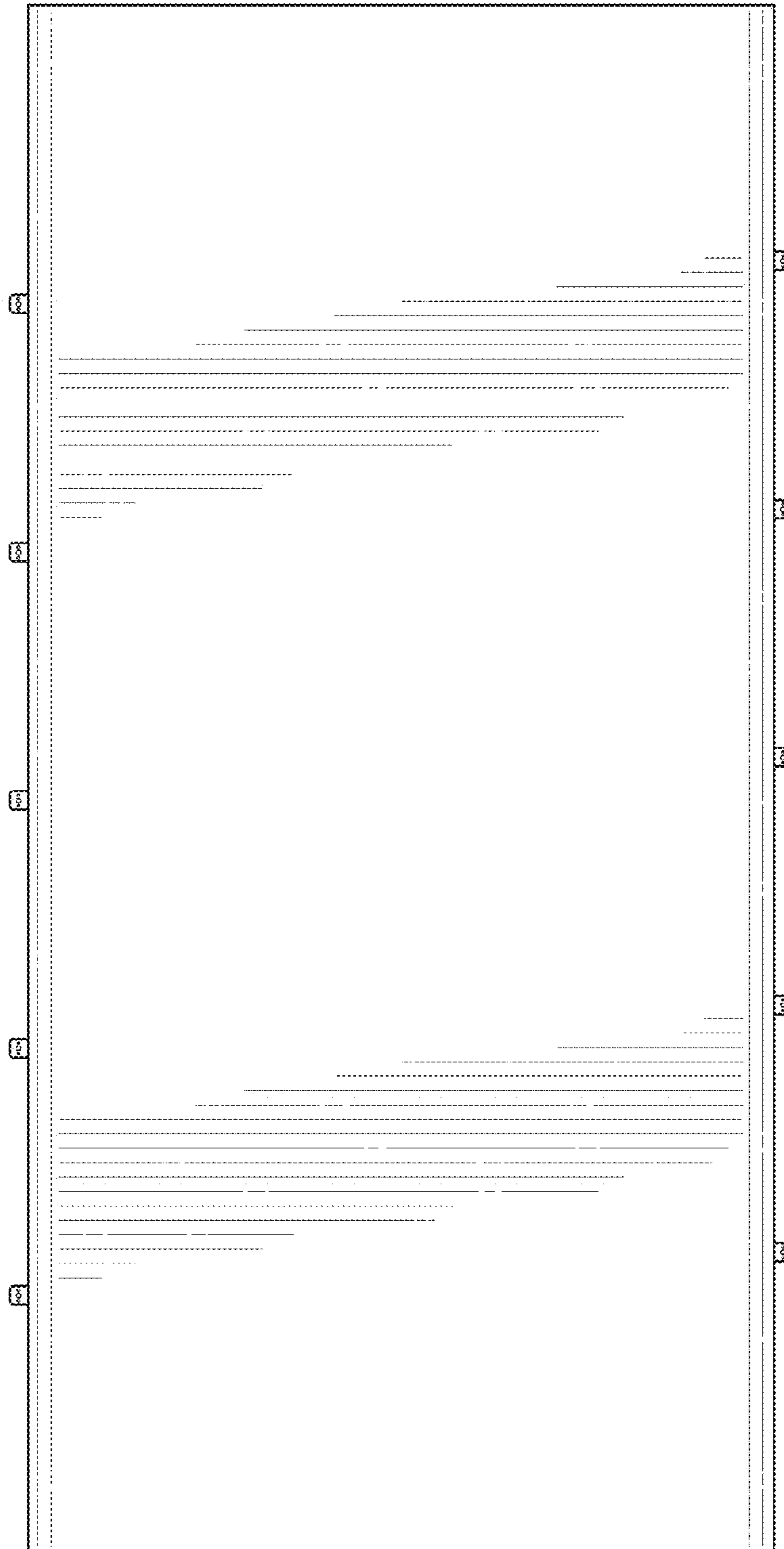


FIG. 2

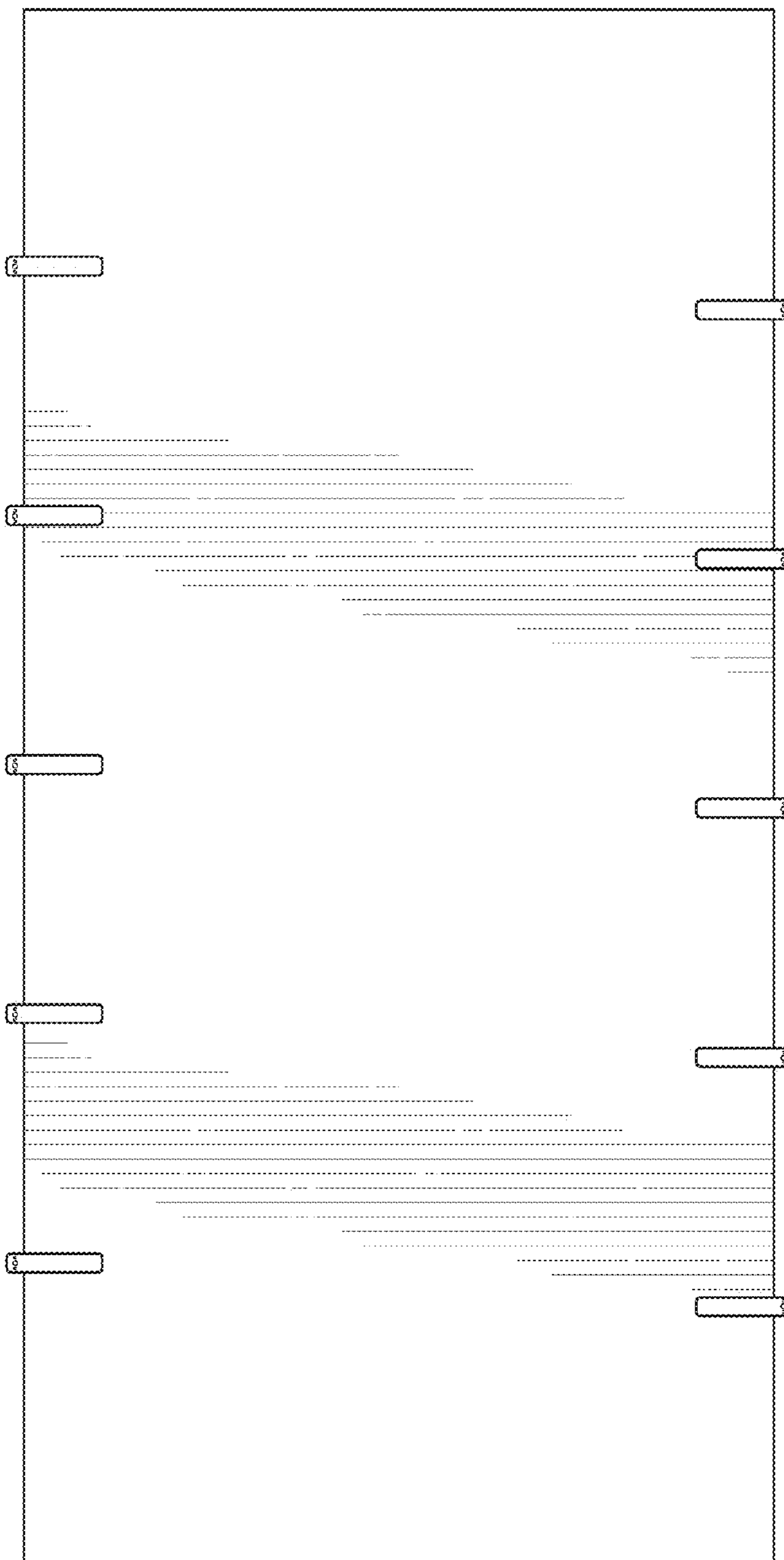


FIG. 3



FIG. 4



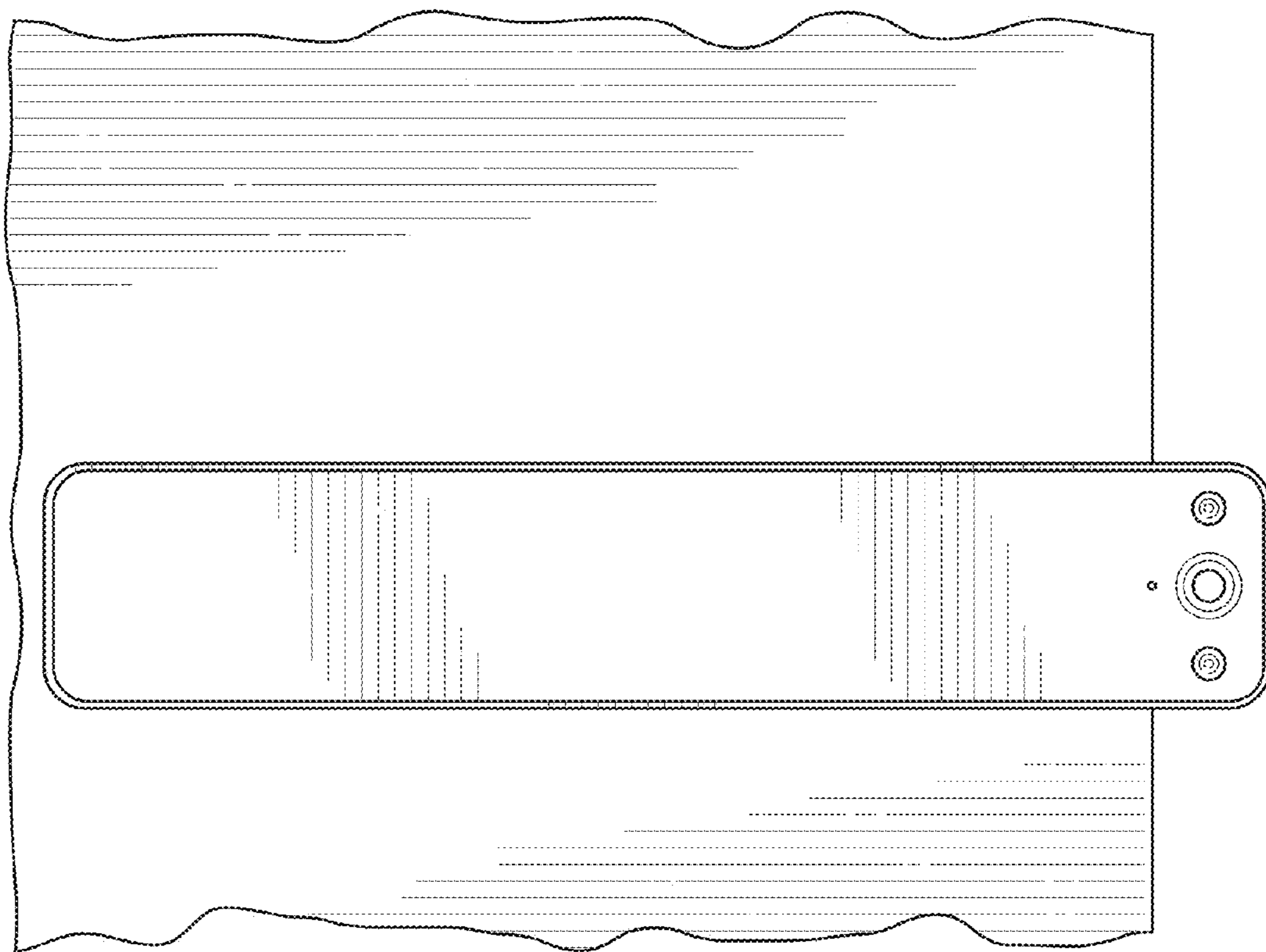


FIG. 5



FIG. 6



FIG. 7