



US00D743572S

(12) **United States Design Patent**
Sharpe et al.

(10) **Patent No.:** **US D743,572 S**

(45) **Date of Patent:** **** Nov. 17, 2015**

(54) **VIAL HOLDER ELEMENT**

(71) Applicants: **Gary Sharpe**, Naples, FL (US); **Brian Dutro**, Columbus, OH (US); **Lacey Porter**, Hilliard, OH (US)

(72) Inventors: **Gary Sharpe**, Naples, FL (US); **Brian Dutro**, Columbus, OH (US); **Lacey Porter**, Hilliard, OH (US)

(73) Assignee: **Gary L. Sharpe**, Naples, FL (US)

(**) Term: **14 Years**

(21) Appl. No.: **29/480,484**

(22) Filed: **Jan. 27, 2014**

(51) **LOC (10) Cl.** **24-02**

(52) **U.S. Cl.**
USPC **D24/227**

(58) **Field of Classification Search**
USPC D24/216–232, 121, 152, 128;
D3/203.1–203.8, 304; 422/292, 300,
422/297, 400, 560–566; D9/749, 759–760,
D9/424–425, 430–432; 211/126.1;
206/557–567, 363–370, 572
See application file for complete search history.

(56) **References Cited**

U.S. PATENT DOCUMENTS

| | | | | |
|-----------|-----|---------|------------------|---------|
| 3,072,362 | A | 1/1963 | Allen | |
| D290,401 | S * | 6/1987 | Bjorkman | D24/227 |
| D297,053 | S * | 8/1988 | Janzen | D24/230 |
| D324,735 | S * | 3/1992 | Collister et al. | D24/222 |
| D334,973 | S * | 4/1993 | Valentine et al. | D24/227 |
| D337,830 | S * | 7/1993 | Coyne et al. | D24/229 |
| D342,793 | S * | 12/1993 | Balmer | D24/224 |
| D344,138 | S * | 2/1994 | Nagata | D24/224 |
| 6,015,246 | A | 1/2000 | Yamane | |
| D434,495 | S * | 11/2000 | Whalen et al. | D24/128 |
| D435,665 | S * | 12/2000 | Ogle | D24/225 |
| D486,580 | S * | 2/2004 | Abdel-Model | D24/229 |
| D498,851 | S * | 11/2004 | Halbich | D24/227 |
| D514,705 | S * | 2/2006 | Bublewitz et al. | D24/224 |
| 7,097,391 | B1 | 8/2006 | Keller | |

| | | | | |
|-----------|-----|---------|------------------|---------|
| 7,132,082 | B2 | 11/2006 | Aviles | |
| D617,468 | S * | 6/2010 | Marquardt et al. | D24/225 |
| D621,722 | S * | 8/2010 | Nalagatla et al. | D24/229 |
| D657,460 | S * | 4/2012 | Uhlenkamp et al. | D24/128 |
| D657,473 | S * | 4/2012 | Miyashita et al. | D24/224 |
| D662,603 | S * | 6/2012 | Greenizen | D24/227 |
| D665,096 | S * | 8/2012 | Marsche et al. | D24/227 |
| D668,780 | S * | 10/2012 | Wilson et al. | D24/227 |
| D708,347 | S * | 7/2014 | Lober | D24/227 |
| D720,470 | S * | 12/2014 | Lober | D24/227 |

* cited by examiner

Primary Examiner — T. Chase Nelson

Assistant Examiner — Mark Cavanna

(74) *Attorney, Agent, or Firm* — Standley Law Group LLP

(57) **CLAIM**

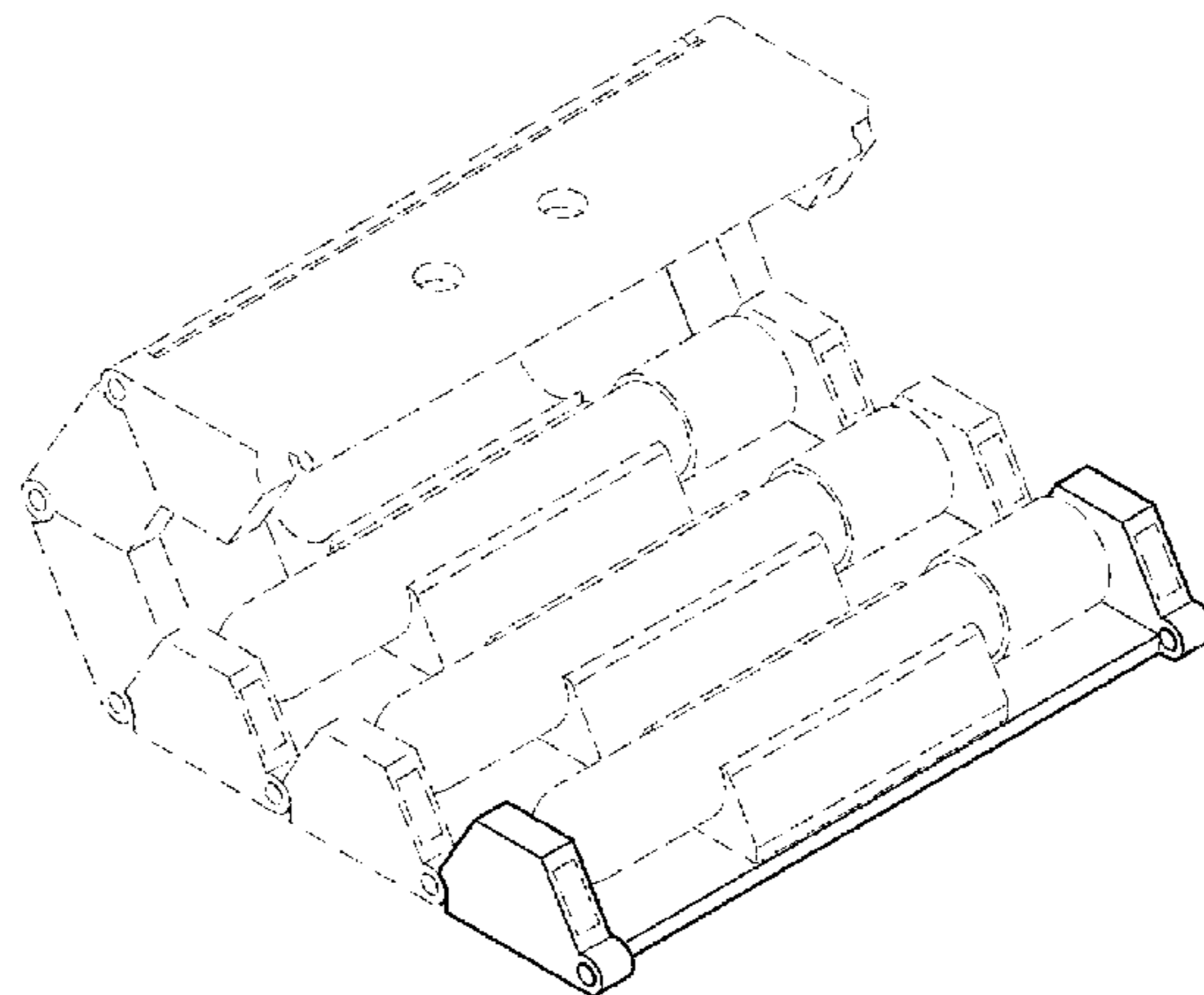
The ornamental design for the vial holder element, as shown and described.

DESCRIPTION

FIG. 1 is a top plan view of the vial holder element in accordance with the present invention;
FIG. 2 is a bottom plan view of the vial holder element thereof;
FIG. 3 is a rear elevation view of the vial holder element thereof;
FIG. 4 is a front elevation view of the vial holder element thereof;
FIG. 5 is a right side elevation view of the vial holder element thereof;
FIG. 6 is a left side elevation view of the vial holder element thereof;
FIG. 7 is a lower right perspective view of the vial holder element thereof; and,
FIG. 8 is a perspective view of a plurality of the vial holder elements thereof shown in the vial holder configuration as a condition of use in an environment.

The broken lines in the drawings showing the additional vial holder elements and vials in FIG. 8 are for illustrative purposes only and form no part of the claimed ornamental design. The remaining broken lines in FIGS. 1-8 are directed to portions of the vial holder element that are not considered part of the claimed ornamental design. None of the broken lines form a part of the claimed design.

1 Claim, 2 Drawing Sheets



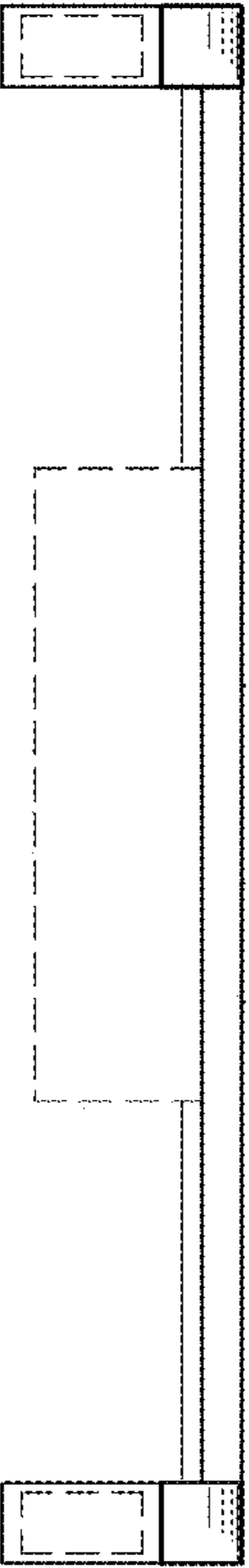


FIG. 3

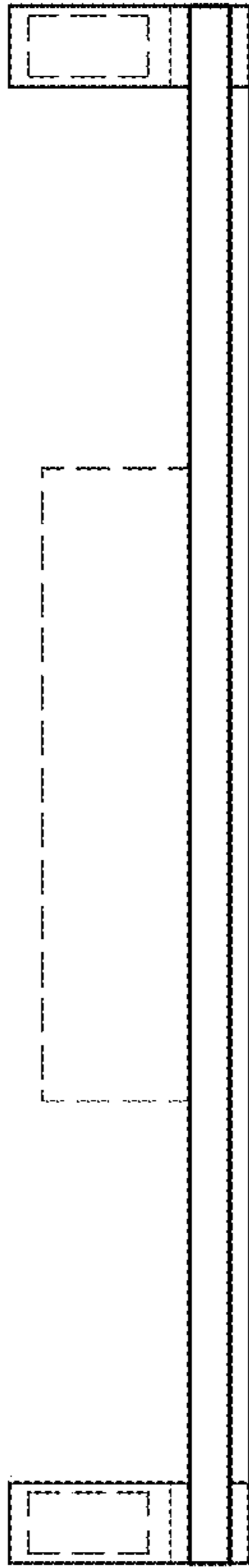


FIG. 4

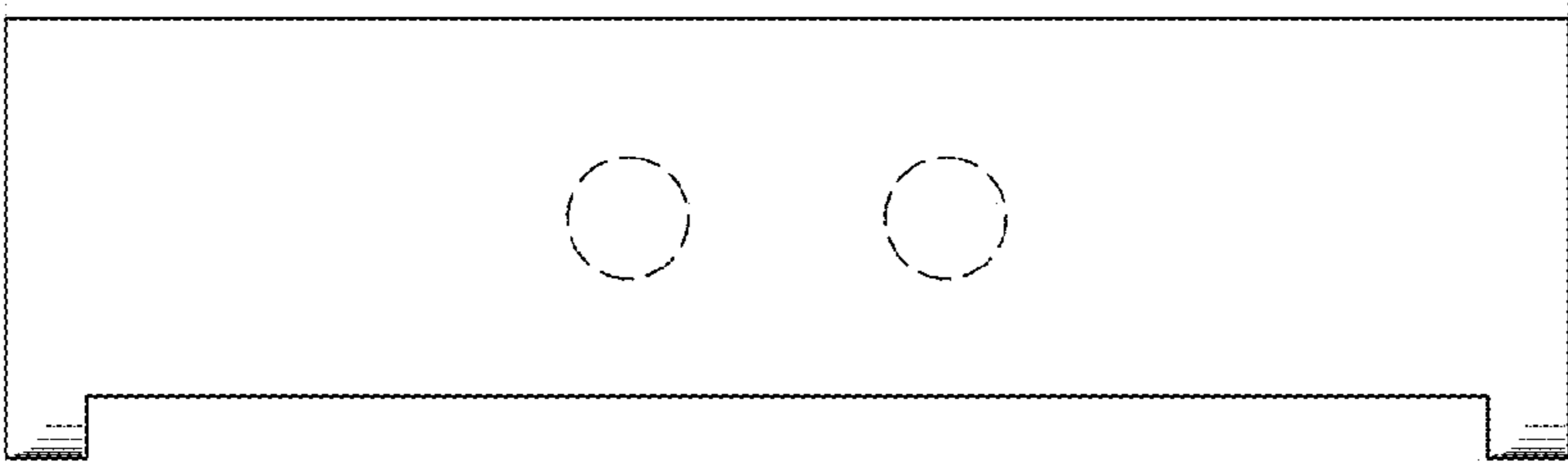


FIG. 2

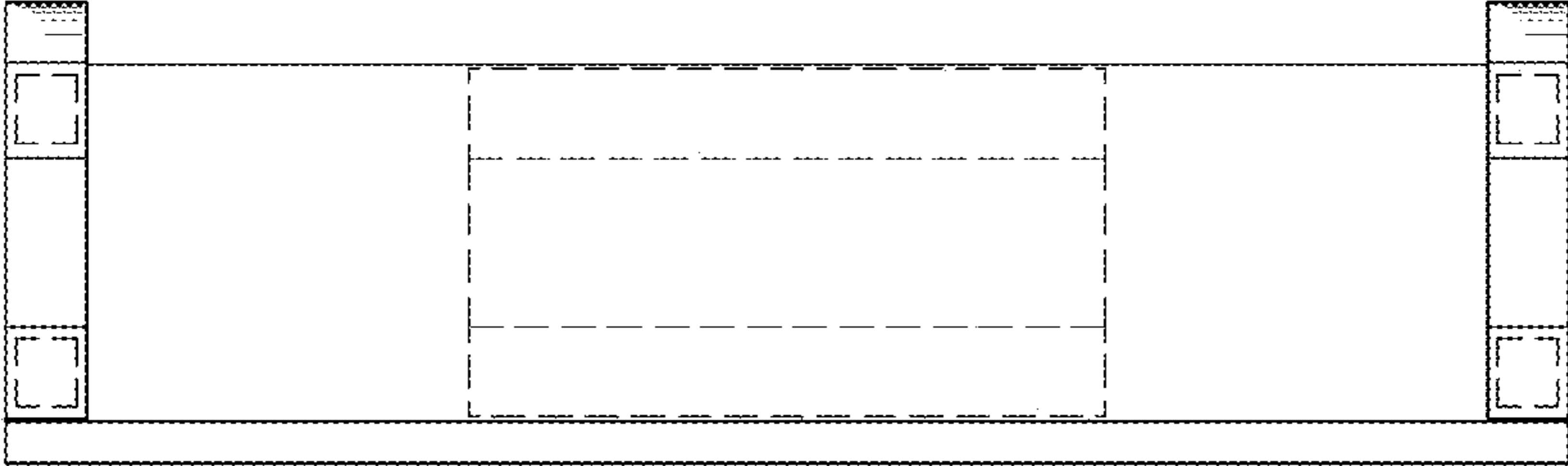


FIG. 1

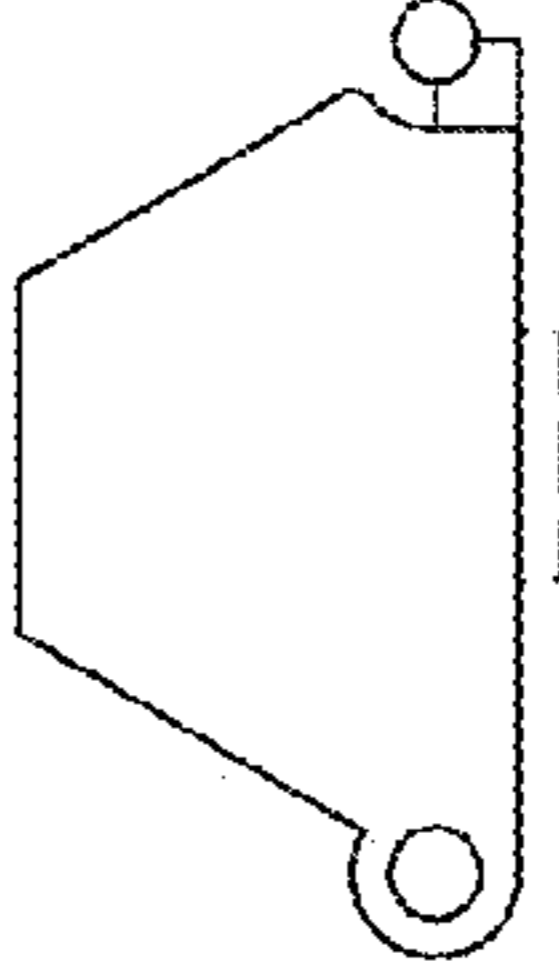


FIG. 6

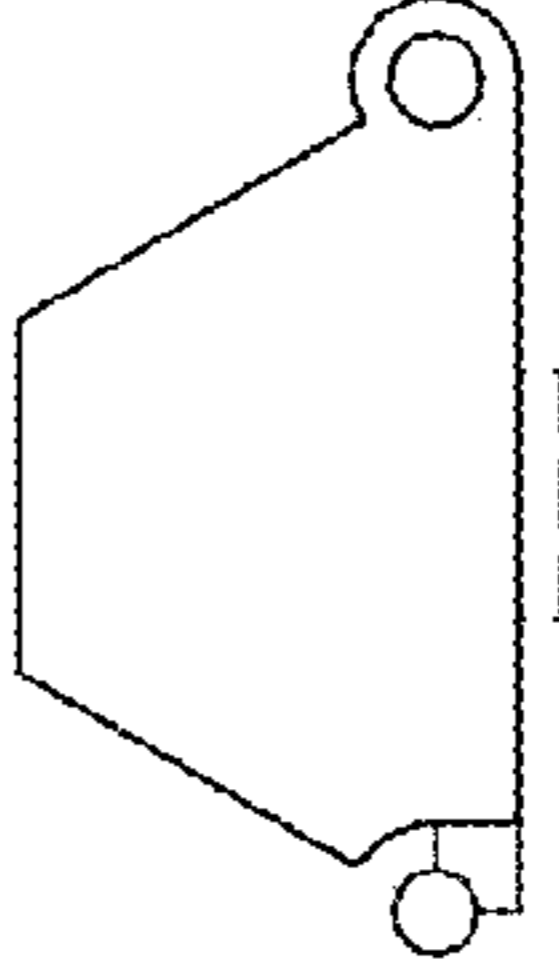


FIG. 5

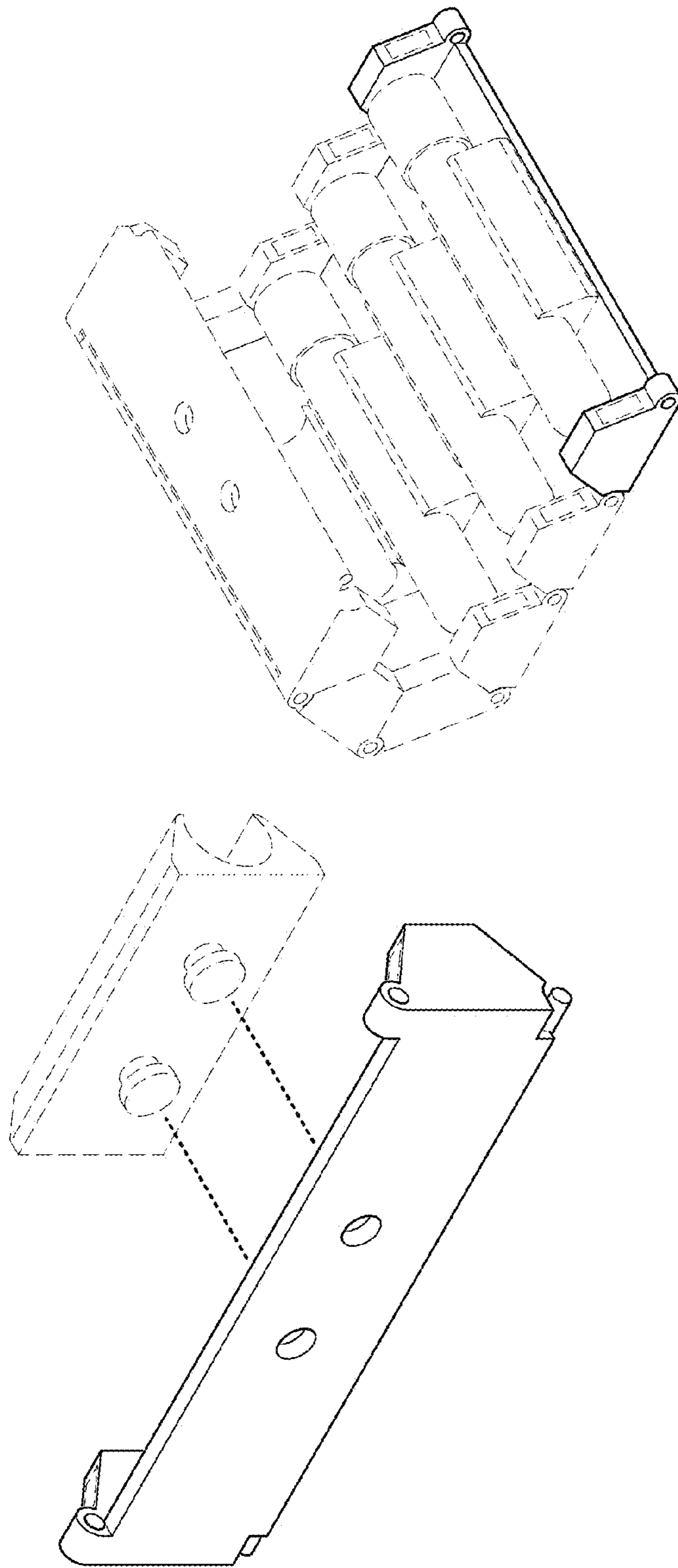


FIG. 8

FIG. 7