



US00D743569S

(12) **United States Design Patent**
Son

(10) **Patent No.:** **US D743,569 S**
(45) **Date of Patent:** **** Nov. 17, 2015**

(54) **THERMOTHERAPY DEVICE**
(71) Applicants: **MyungSin Medical Co., Ltd.**, Gwangju (KR); **Jong Ki Son**, Gwangju (KR)
(72) Inventor: **Jong Ki Son**, Gwangju (KR)
(73) Assignees: **MYUNGSIN MEDICAL CO., LTD.**, Gwangju (KR); **Jong Ki Son**, Gwangju (KR)

(**) Term: **14 Years**

(21) Appl. No.: **29/459,637**

(22) Filed: **Jul. 2, 2013**

(30) **Foreign Application Priority Data**

Apr. 23, 2013 (KR) 30-2013-0021189

(51) **LOC (10) Cl.** **24-04**

(52) **U.S. Cl.**
USPC **D24/206**

(58) **Field of Classification Search**
USPC D24/609, 329; D7/206, 215; D23/335, D23/342; D14/214, 171; D15/146; 607/88, 607/90; 368/10

CPC A61N 5/062; A61N 5/06; A61J 7/0481
See application file for complete search history.

(56) **References Cited**

U.S. PATENT DOCUMENTS

D166,225 S * 3/1952 Popeil D7/609
D169,121 S * 3/1953 Burroughs D7/609
D208,515 S * 9/1967 Grube D24/206
D343,676 S * 1/1994 Lim D23/335
D372,399 S * 8/1996 Wang D7/609
D384,159 S * 9/1997 Tsai D24/215
D405,320 S * 2/1999 Tisdale D7/609
D414,084 S * 9/1999 Schmidt D7/609
D419,559 S * 1/2000 Hsu D14/214
D448,251 S * 9/2001 Bodum D7/609

D453,171 S * 1/2002 Cheng D15/146
D480,594 S * 10/2003 Ancona et al. D7/329
D484,752 S * 1/2004 Verbeek D7/609
D507,824 S * 7/2005 Blateri D23/335
D513,069 S * 12/2005 Blateri D23/335
D514,675 S * 2/2006 Blateri D23/335
D515,678 S * 2/2006 Blateri D23/335
D528,371 S * 9/2006 de Groot D7/609

(Continued)

FOREIGN PATENT DOCUMENTS

CN 301941969 * 5/2012

OTHER PUBLICATIONS

ThermaZoneContinuous Thermal Therapy Device, Announced Apr. 2, 2012, [Site Visited Apr. 30, 2015] <http://therma-zone.com/product/3>.*

(Continued)

Primary Examiner — John Windmuller

Assistant Examiner — Luqman McNeil

(74) *Attorney, Agent, or Firm* — Paratus Law Group, PLLC

(57) **CLAIM**

The ornamental design for a “thermotherapy device,” as shown and described.

DESCRIPTION

FIG. 1 is a perspective view of a thermotherapy device showing my new design;

FIG. 2 is a front elevational view thereof;

FIG. 3 is a back elevational view thereof;

FIG. 4 is a left side elevational view thereof;

FIG. 5 is a right side elevational view thereof;

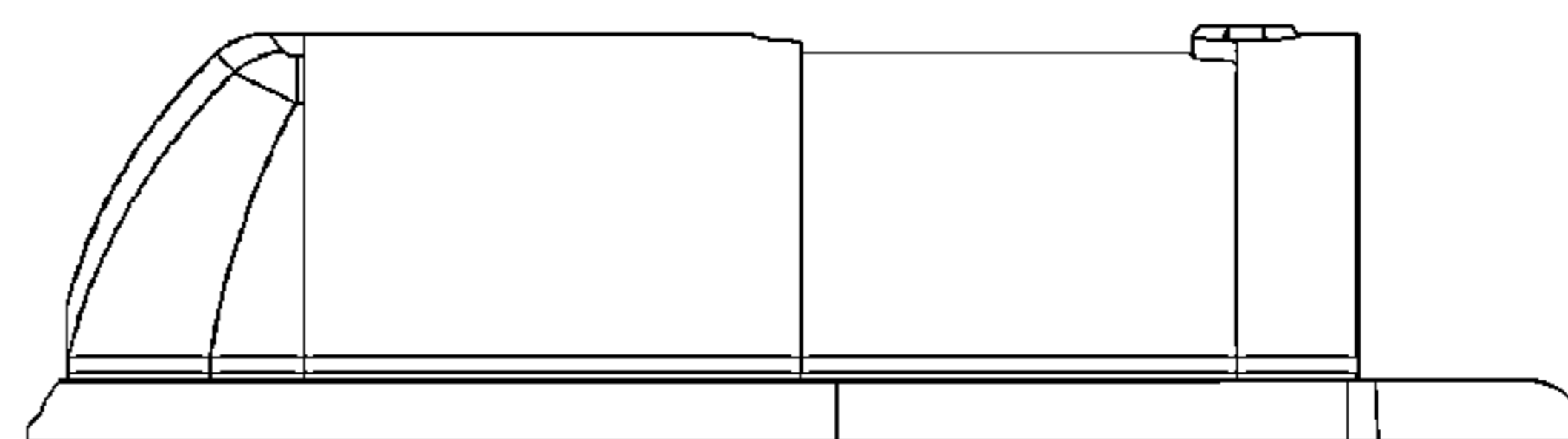
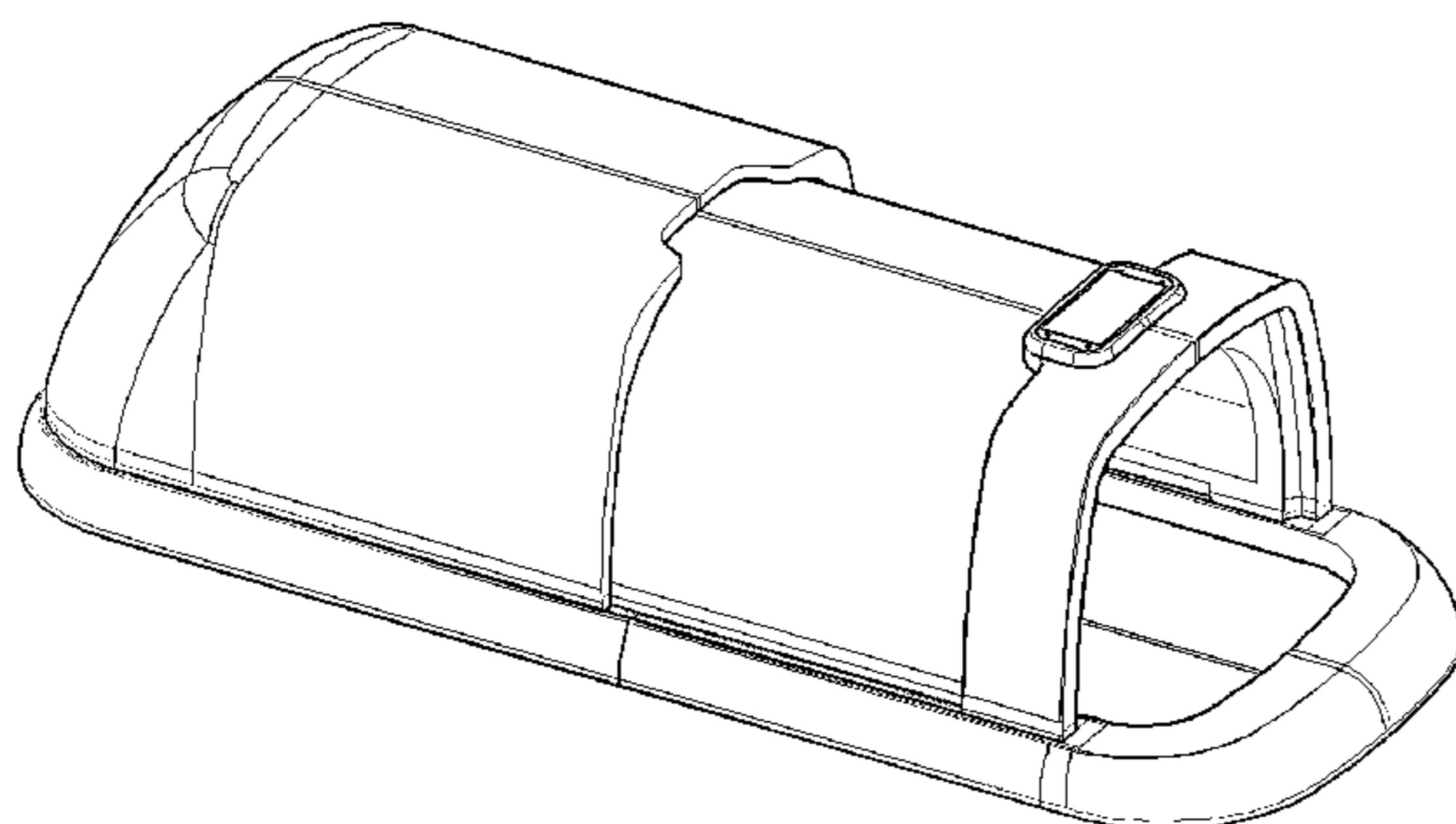
FIG. 6 is a top view thereof;

FIG. 7 is a bottom view thereof; and,

FIG. 8 is a reference view thereof.

The broken line showing is included for the purpose of illustrating environment and forms no part of the claimed design.

1 Claim, 4 Drawing Sheets



US D743,569 S

Page 2

(56)

References Cited

U.S. PATENT DOCUMENTS

D544,508 S * 6/2007 Beno et al. D15/146
D590,064 S * 4/2009 Janisch et al. D24/206
D616,412 S * 5/2010 Garrett D14/171
D627,079 S * 11/2010 Robertson D24/214
D654,578 S * 2/2012 Ediger et al. D23/342
2005/0113890 A1* 5/2005 Ritchie et al. 607/88

2008/0147148 A1* 6/2008 Baldacchini 607/90
2010/0177598 A1* 7/2010 Zhang et al. 368/10

OTHER PUBLICATIONS

NanoTherm2—Compression and Localized Thermal Therpay
Device, Announced Feb. 16, 2008, [Site Visited Apr. 30, 2015].*

* cited by examiner

FIG. 1

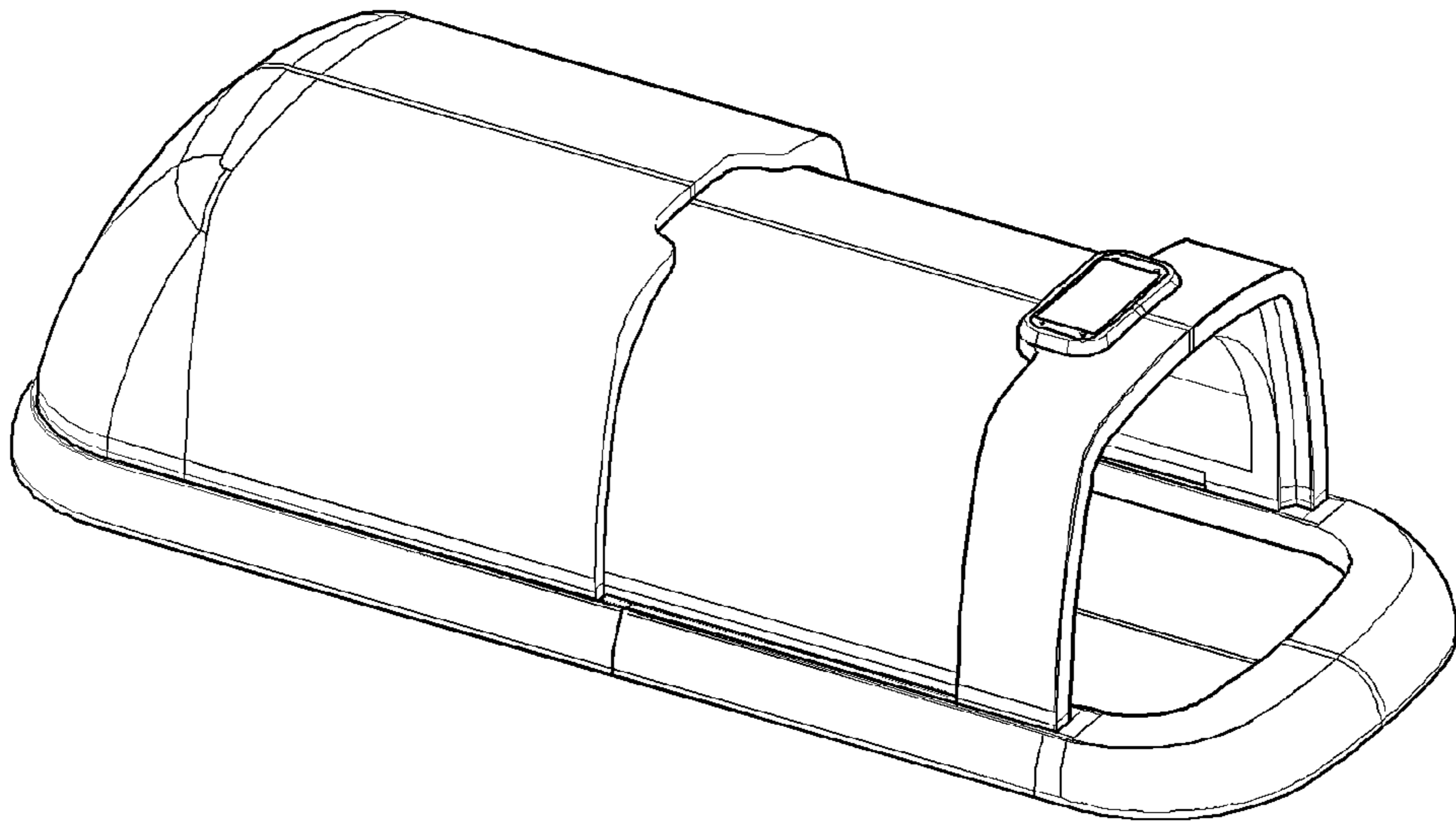


FIG. 2

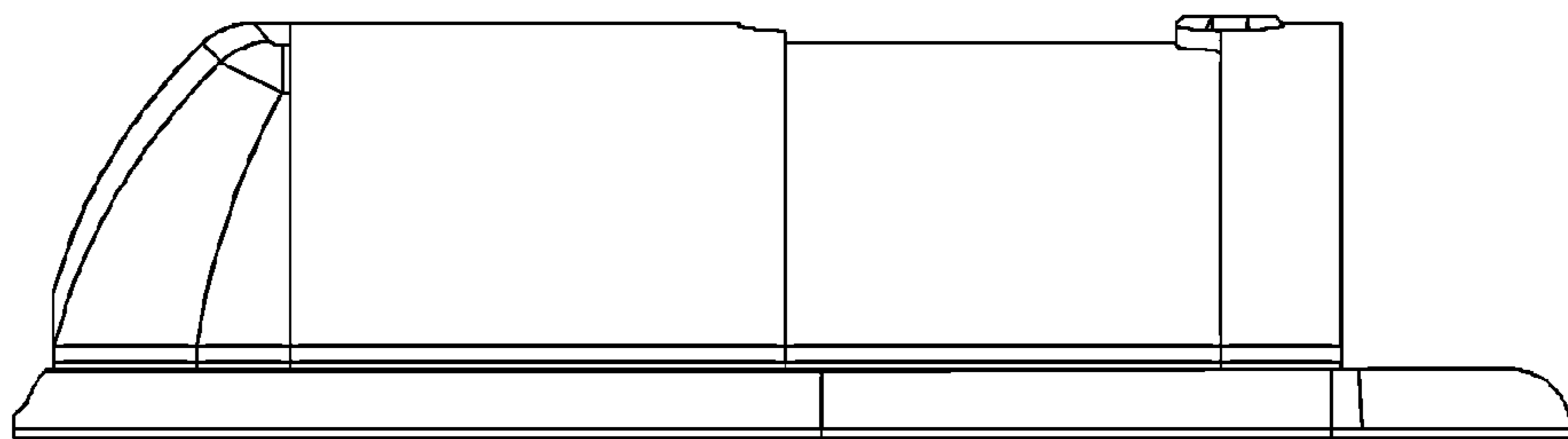


FIG. 3

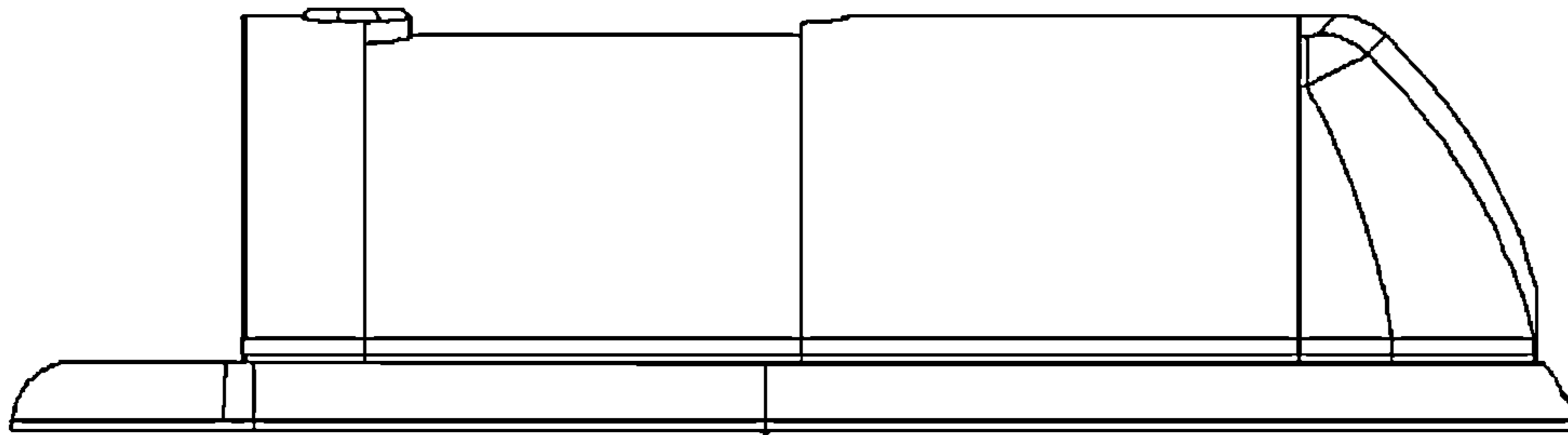


FIG. 4

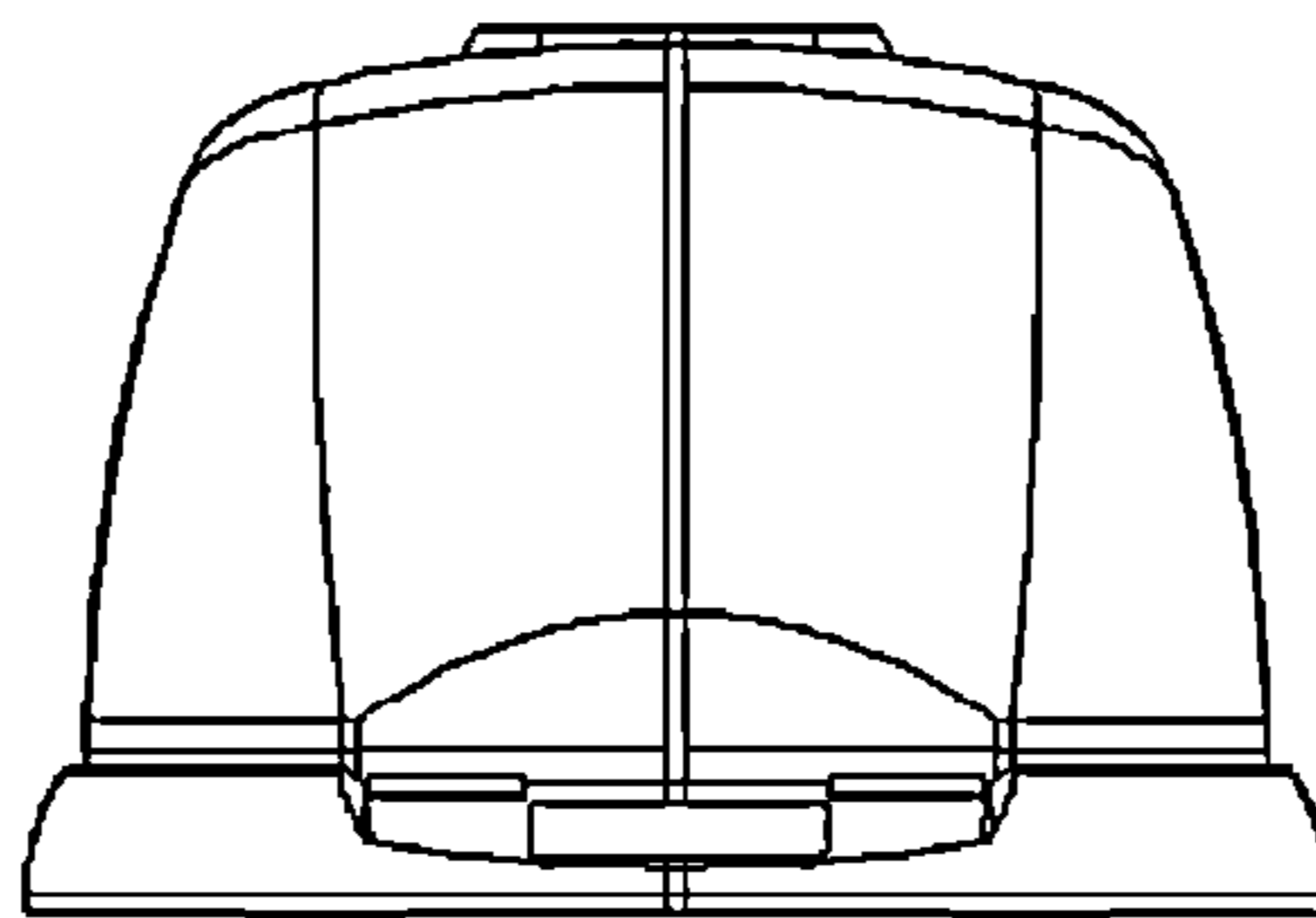


FIG. 5

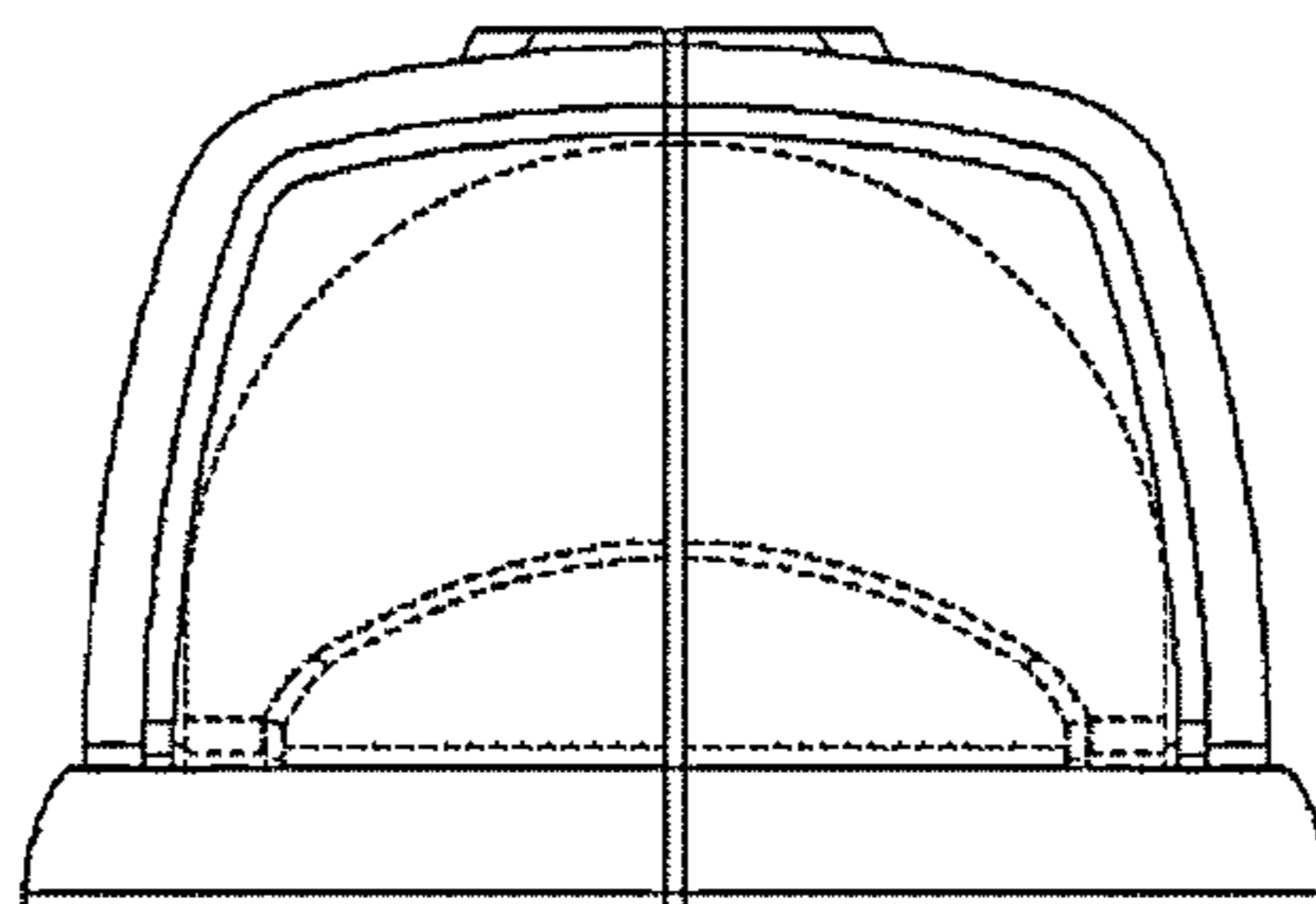


FIG. 6

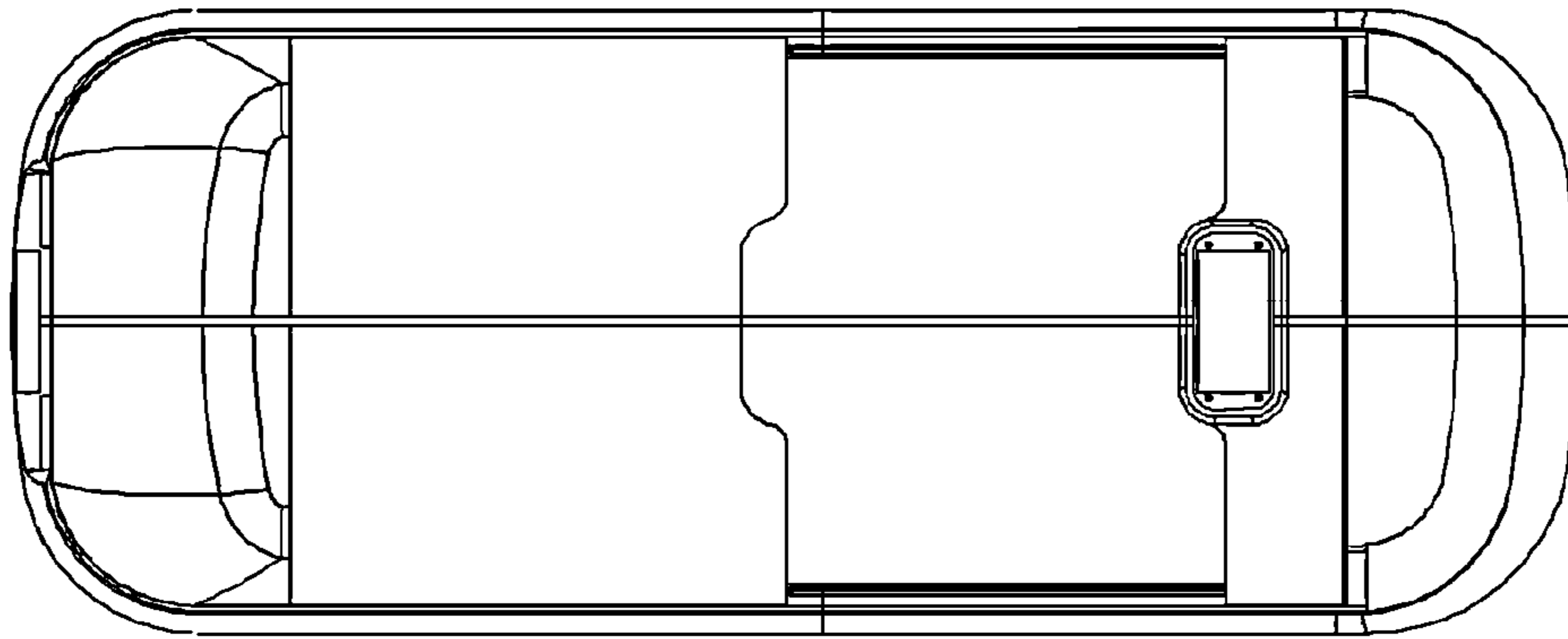


FIG. 7

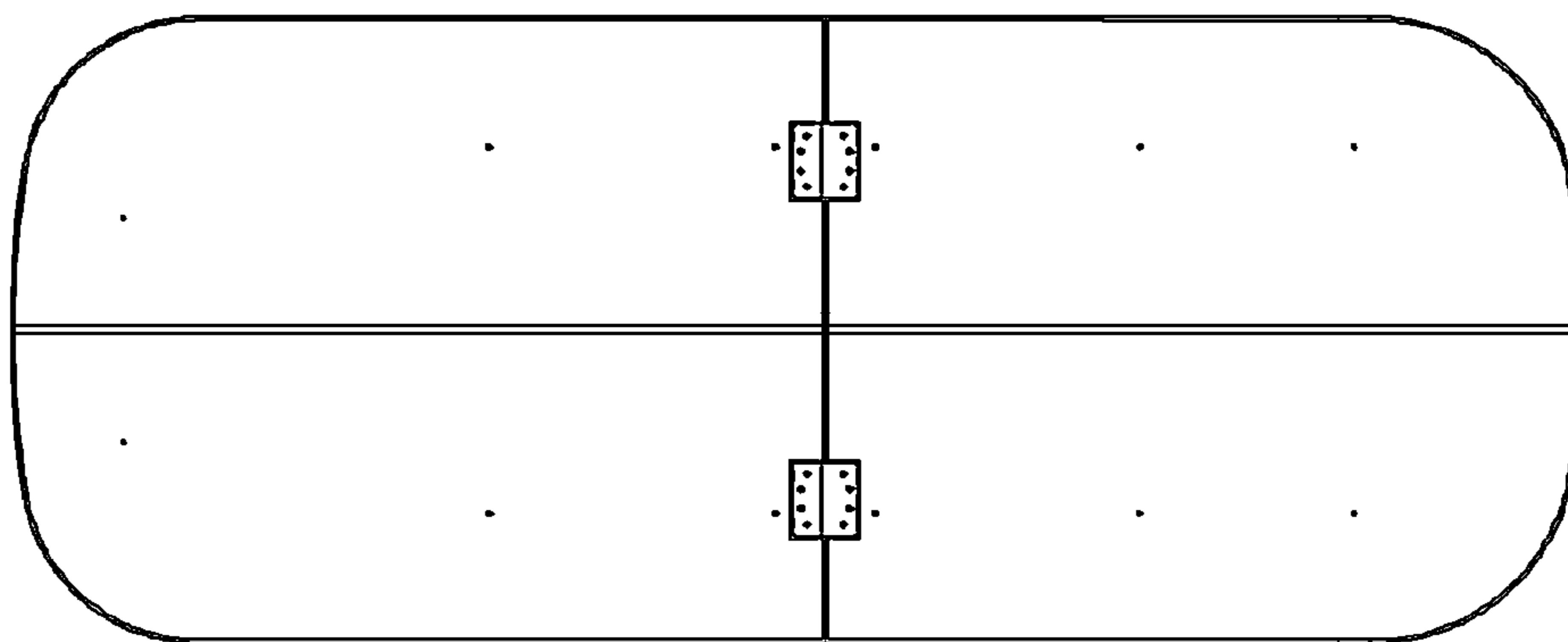


FIG. 8

