



US00D743565S

(12) **United States Design Patent**  
**Engel et al.**

(10) **Patent No.:** **US D743,565 S**

(45) **Date of Patent:** **\*\* Nov. 17, 2015**

(54) **NASAL DILATOR**  
(71) Applicant: **Ranir, LLC**, Grand Rapids, MI (US)  
(72) Inventors: **Rebecca L. Engel**, Kalamazoo, MI (US);  
**Jonathan M. Stebila**, Grand Rapids, MI (US)  
(73) Assignee: **Ranir, LLC**, Grand Rapids, MI (US)

4,462,136 A 7/1984 Nakao et al.  
D276,088 S 10/1984 Fong  
D279,826 S 7/1985 Schindler  
4,574,823 A 3/1986 Uriss  
D301,071 S 5/1989 Franchi  
D316,617 S 4/1991 Cheung  
5,246,021 A 9/1993 Katz  
5,476,091 A 12/1995 Johnson  
5,479,944 A 1/1996 Petruson

(Continued)

(\*\*) Term: **14 Years**

FOREIGN PATENT DOCUMENTS

(21) Appl. No.: **29/458,131**

CH 211202 11/1940  
DE 1616134 4/1971

(22) Filed: **Jun. 17, 2013**

(Continued)

(51) **LOC (10) Cl.** ..... **24-04**

(52) **U.S. Cl.**  
USPC ..... **D24/189**

(58) **Field of Classification Search**  
USPC ..... D24/106, 124, 127, 135, 187-192, 200,  
D24/206, 212, 213; D26/138; D29/120.1;  
128/200.24, 203.12, 848; 206/390,  
206/441; 602/21, 22, 41, 55, 75, 79;  
606/199, 204.45; 607/135  
CPC ..... A61F 5/08; A61F 13/02; A61F 13/126;  
A61F 2013/00476

*Primary Examiner* — Robert M Spear  
*Assistant Examiner* — Darcey E Heflin

(74) *Attorney, Agent, or Firm* — Warner Norcross & Judd  
LLP

See application file for complete search history.

(57) **CLAIM**

The ornamental design for a nasal dilator, as shown and described.

(56) **References Cited**

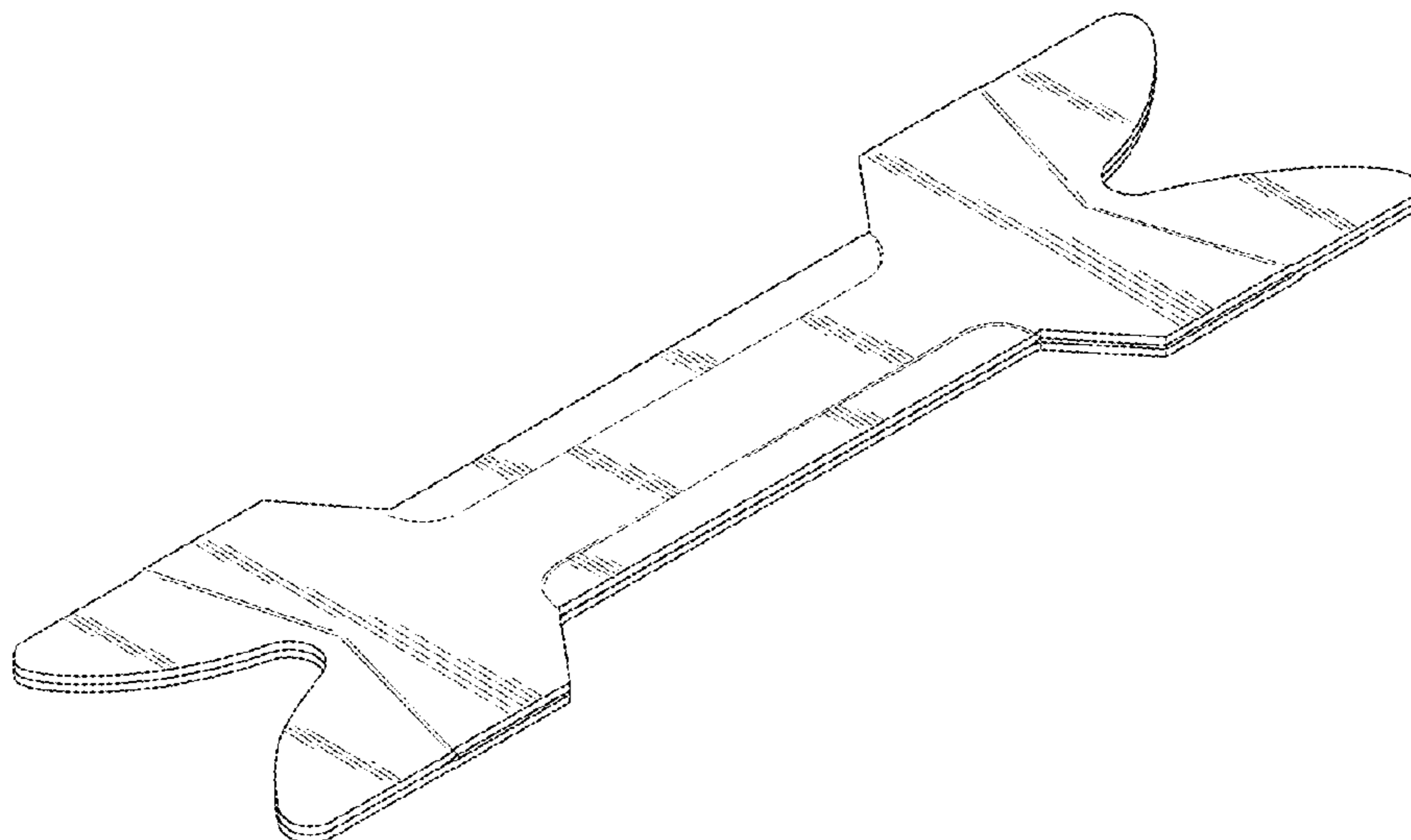
U.S. PATENT DOCUMENTS

1,414,604 A 5/1922 Thum  
1,581,501 A 4/1926 Wright  
1,746,591 A 2/1930 Heymann et al.  
1,882,204 A 10/1932 Zrna  
2,180,522 A 11/1939 Henne  
3,775,848 A 12/1973 Barnett  
3,779,256 A 12/1973 Maloney et al.  
3,814,114 A 6/1974 Roberts  
D244,541 S 5/1977 Dennesen et al.  
4,280,518 A 7/1981 Gambaro  
4,326,547 A 4/1982 Verplank  
D274,375 S 6/1984 Tomlin

**DESCRIPTION**

FIG. 1 is a perspective view of the nasal dilator according to the new design;  
FIG. 2 is a top view of the nasal dilator shown in FIG. 1, the bottom view being a mirror image thereof;  
FIG. 3 is a right side view, the left side view being a mirror image thereof;  
FIG. 4 is a front view, the rear view being a mirror image thereof; and,  
FIG. 5 is a perspective view thereof showing the nasal dilator in a flexed in-use position.  
The portions shown in phantom lines in FIGS. 5 are shown for environmental purposes only and form no part of the claimed design.

**1 Claim, 2 Drawing Sheets**



(56)

References Cited

U.S. PATENT DOCUMENTS

5,533,499 A 7/1996 Johnson  
 5,533,503 A \* 7/1996 Doubek et al. .... 128/200.24  
 5,546,929 A 8/1996 Muchin  
 5,549,103 A \* 8/1996 Johnson ..... 128/200.24  
 5,553,605 A 9/1996 Muchin  
 5,609,150 A 3/1997 Maged  
 5,611,333 A 3/1997 Johnson  
 5,611,334 A 3/1997 Muchin  
 5,653,224 A 8/1997 Johnson  
 5,706,800 A 1/1998 Cronk et al.  
 5,718,224 A 2/1998 Muchin  
 5,775,346 A 7/1998 Szyszkowski  
 5,816,241 A 10/1998 Cook  
 5,842,469 A 12/1998 Rapp et al.  
 5,868,149 A 2/1999 Yang  
 5,890,486 A 4/1999 Mitra et al.  
 5,931,854 A 8/1999 Dillon  
 5,957,126 A 9/1999 Neeser  
 6,029,658 A 2/2000 De Voss  
 6,058,931 A 5/2000 Muchin  
 6,065,470 A 5/2000 Van Cromvoirt et al.  
 6,098,616 A 8/2000 Lundy et al.  
 D434,146 S \* 11/2000 Ierulli ..... D24/135  
 6,158,444 A 12/2000 Weihrauch  
 6,196,228 B1 3/2001 Kreitzer et al.  
 6,244,265 B1 6/2001 Cronk et al.  
 6,276,360 B1 8/2001 Cronk et al.  
 6,318,362 B1 11/2001 Johnson  
 6,357,436 B1 3/2002 Kreitzer et al.  
 6,375,667 B1 4/2002 Ruch  
 D463,626 S 9/2002 Huang  
 6,453,901 B1 9/2002 Ierulli  
 6,470,883 B1 10/2002 Beaudry  
 6,478,023 B1 11/2002 Lockwood  
 6,550,474 B1 4/2003 Anderson et al.  
 6,631,714 B2 10/2003 Von Duyke et al.  
 D484,643 S 12/2003 Nanda  
 6,694,970 B2 2/2004 Spinelli et al.  
 6,769,428 B2 8/2004 Cronk et al.  
 6,769,429 B1 8/2004 Benetti  
 6,860,263 B1 3/2005 Scoggins

7,013,889 B2 3/2006 Cronk et al.  
 7,114,495 B2 10/2006 Lockwood  
 7,568,580 B2 8/2009 Fenton  
 D622,403 S \* 8/2010 Arbesman et al. .... D24/189  
 7,798,141 B2 9/2010 Veeder  
 7,873,421 B2 \* 1/2011 Karell ..... 607/135  
 8,047,201 B2 11/2011 Guyuron et al.  
 8,062,329 B2 \* 11/2011 Ierulli ..... 606/204.45  
 8,115,049 B2 2/2012 Beaudry  
 8,617,199 B2 \* 12/2013 Eull et al. .... 606/199  
 D722,162 S \* 2/2015 Reyers ..... D24/135  
 D725,772 S \* 3/2015 Ierulli ..... D24/135  
 2006/0000472 A1 1/2006 Fenton  
 2006/0048790 A1 3/2006 Petner  
 2007/0255309 A1 \* 11/2007 Guyuron et al. .... 606/199  
 2008/0184995 A1 8/2008 Ierulli  
 2008/0257341 A1 10/2008 Ierulli  
 2009/0000616 A9 1/2009 Fenton  
 2009/0020115 A1 1/2009 Lockwood, Jr.  
 2009/0101139 A1 \* 4/2009 Karell ..... 128/200.24  
 2009/0125052 A1 5/2009 Pinna et al.  
 2009/0205640 A1 8/2009 Kehiaian  
 2010/0298861 A1 11/2010 Fenton  
 2011/0000483 A1 1/2011 Matthias et al.  
 2012/0067345 A1 3/2012 Shilon  
 2012/0172923 A1 7/2012 Fenton et al.  
 2013/0104882 A1 \* 5/2013 Ierulli ..... 128/200.24  
 2013/0118488 A1 \* 5/2013 Ledogar ..... 128/203.12  
 2015/0051636 A1 \* 2/2015 Lockwood, Jr. .... 606/199  
 2015/0094757 A1 \* 4/2015 Ierulli ..... 606/204.45  
 2015/0094758 A1 \* 4/2015 Ierulli ..... 606/204.45

FOREIGN PATENT DOCUMENTS

DE 4223195 1/1994  
 EP 161057 A1 11/1985  
 EP 354352 A1 2/1990  
 EP 707836 A2 4/1996  
 FR 454604 7/1913  
 GB 589016 6/1947  
 GB 1276031 6/1972  
 WO 8706452 11/1987

\* cited by examiner

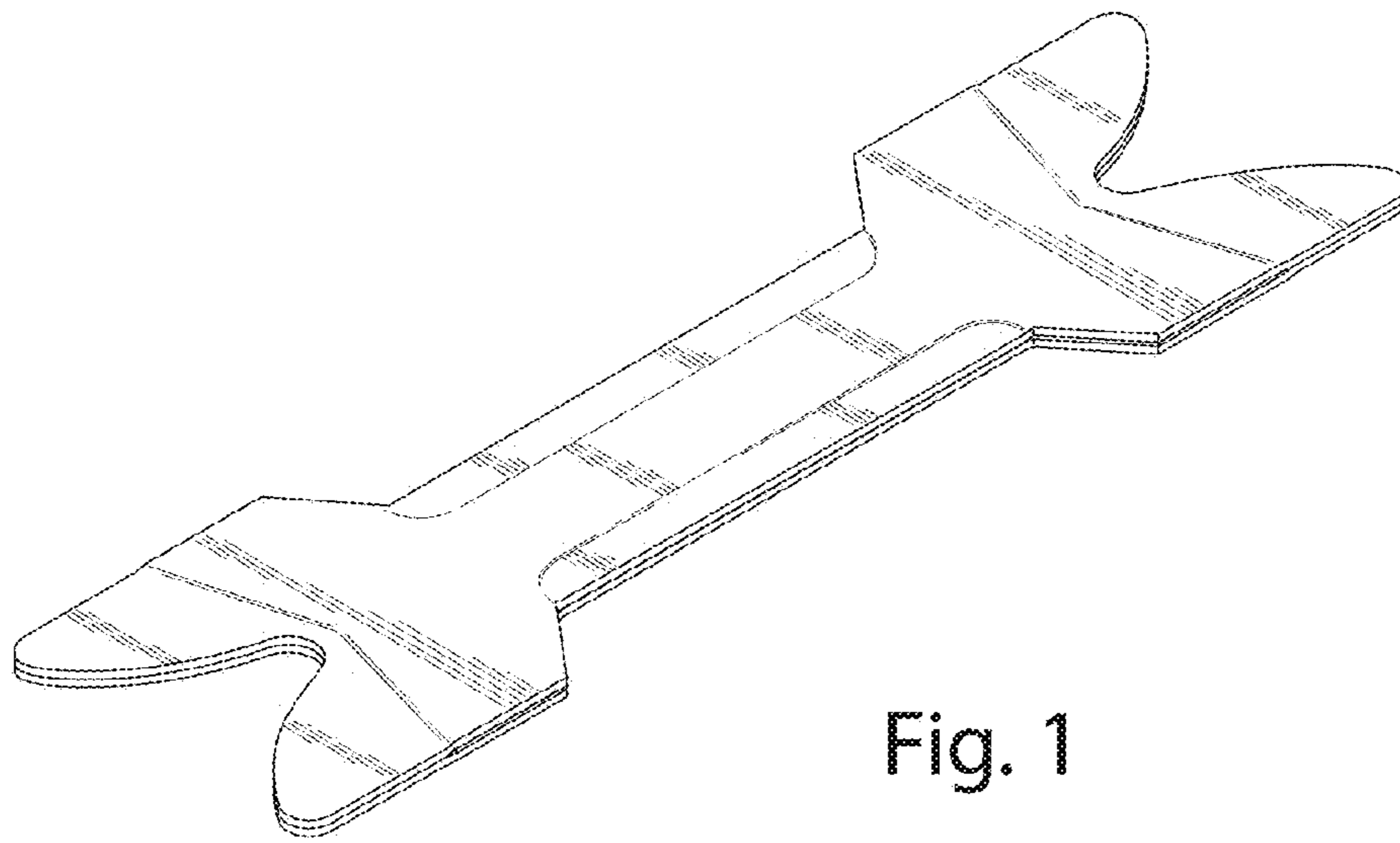


Fig. 1

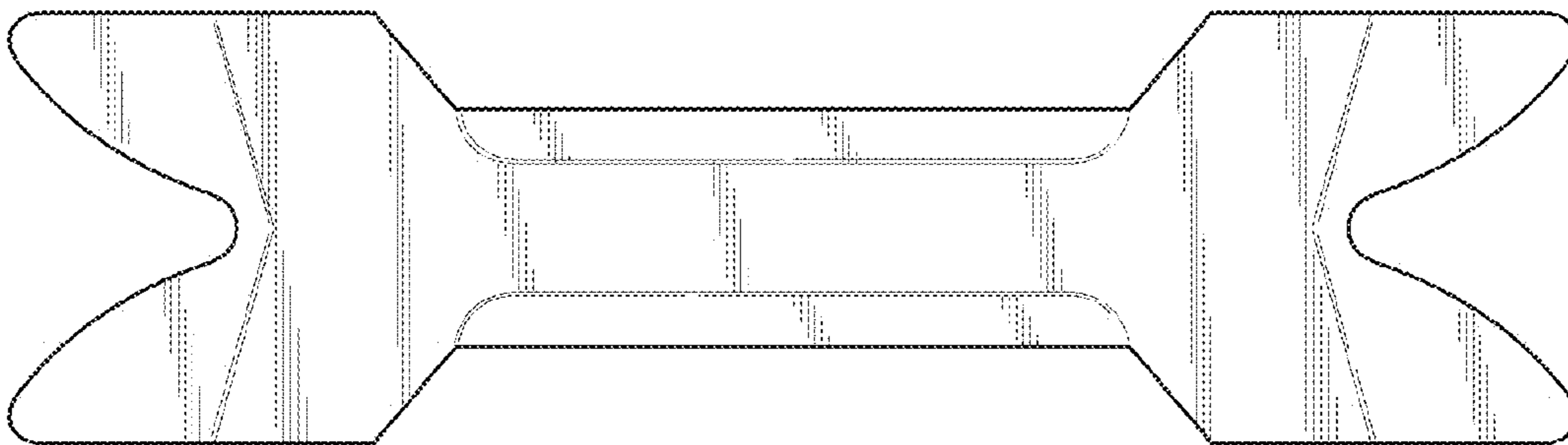


Fig. 2

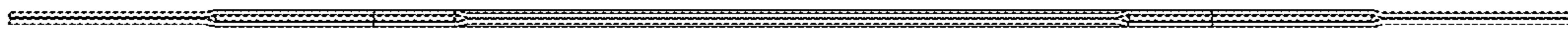


Fig. 3

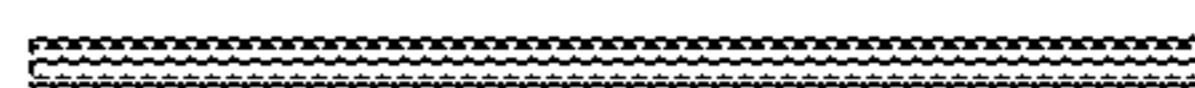


Fig. 4

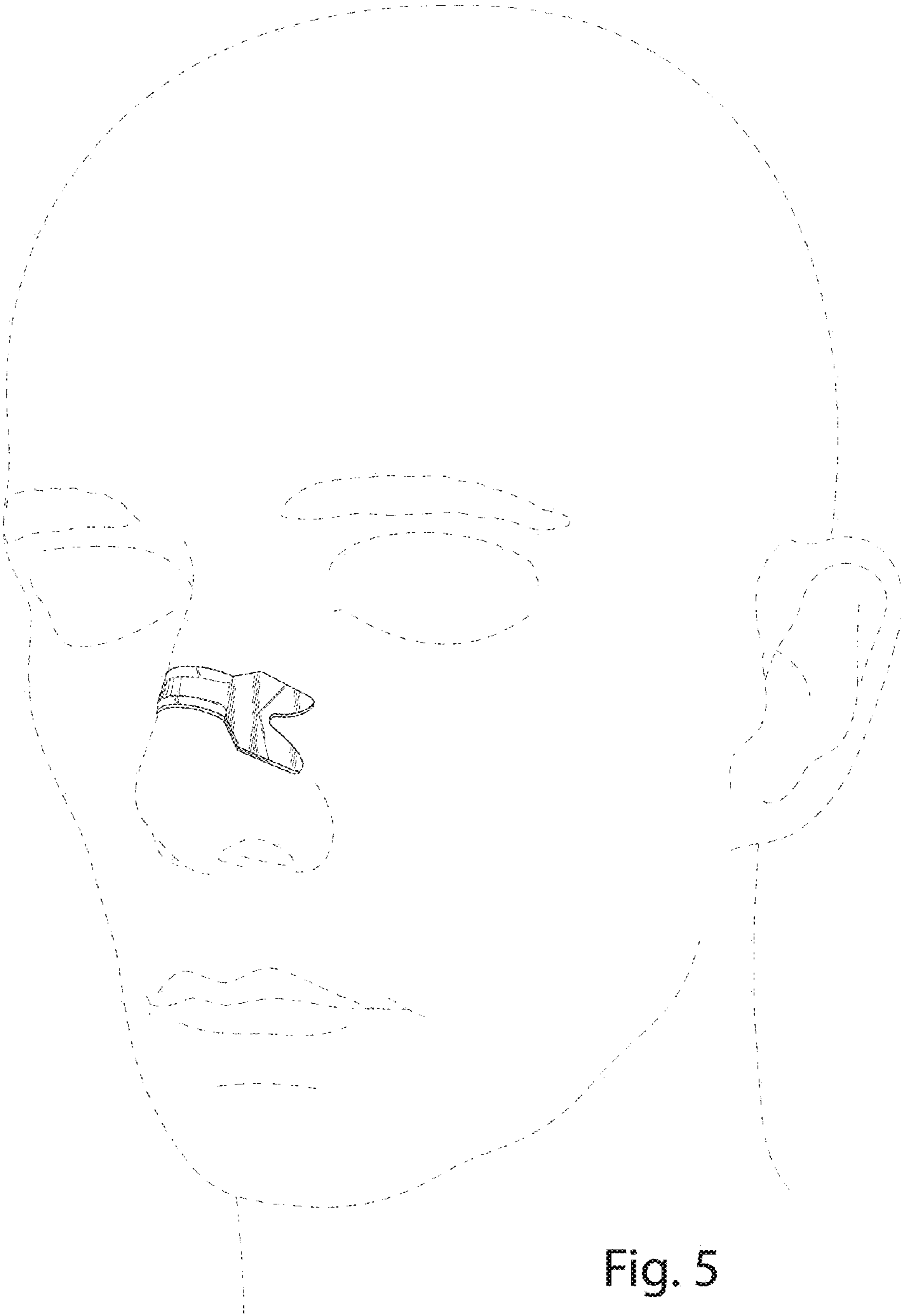


Fig. 5