



US00D743564S

(12) **United States Design Patent**
Wathne et al.

(10) **Patent No.:** **US D743,564 S**

(45) **Date of Patent:** **** Nov. 17, 2015**

(54) **DRESSING**

(71) Applicant: **Mölnlycke Health Care AB**, Göteborg (SE)

(72) Inventors: **Christian Wathne**, Mölnlycke (SE);
Ritva Miettinen, Skepplanda (SE);
Rose-Marie Fredrikson, Billdal (SE);
Timo Leppänen, Angered (SE); **Yvonne Arnkil Neselius**, Västra Frölunda (SE);
Ann-Britt Gergely, Mölndal (SE)

(73) Assignee: **Mölnlycke Health Care AB**, Göteborg (SE)

(**) Term: **14 Years**

(21) Appl. No.: **29/451,682**

(22) Filed: **Apr. 5, 2013**

(30) **Foreign Application Priority Data**

Oct. 12, 2012 (EM) 001346951-0001
Oct. 12, 2012 (EM) 001346951-0002
Oct. 12, 2012 (EM) 001346951-0003

(51) **LOC (10) Cl.** **24-04**

(52) **U.S. Cl.**
USPC **D24/189**

(58) **Field of Classification Search**
USPC D24/124, 126, 127, 162, 187-192, 200,
D24/206, 212, 213; D28/7, 8, 57-59, 78;
D30/146; 128/882; 206/441; 353/8;
428/41.5, 42.2; 602/14, 27, 36, 42, 44,
602/54, 57, 58, 60, 62, 63, 65, 79; 604/379,
604/384
CPC A61F 13/02; A61F 13/0203; A61F
2013/00897; A61F 2013/0054; A61F
2013/00646; A61F 2013/00757; A61F
2013/008; A61F 2013/00817

See application file for complete search history.

(56) **References Cited**

U.S. PATENT DOCUMENTS

D31,570 S * 9/1899 Stinson D24/126
D83,337 S * 2/1931 Mink D24/126
D403,404 S * 12/1998 Bernard et al. D24/126

(Continued)

FOREIGN PATENT DOCUMENTS

EM 000062104-0001 8/2003
EM 000062104-0002 8/2003

(Continued)

OTHER PUBLICATIONS

Mölnlycke. The all-in-one absorbent foam dressing shaped to fit the heel. 2015 [online], [site visited Apr. 1, 2015]. Available from Internet, <URL:http://www.mölnlycke.com/advanced-wound-care-products/foam-dressings/mepilex-border-heel/#confirm>.*

Primary Examiner — Robert M Spear

Assistant Examiner — Darcey E Heflin

(74) *Attorney, Agent, or Firm* — Ballard Spahr LLP

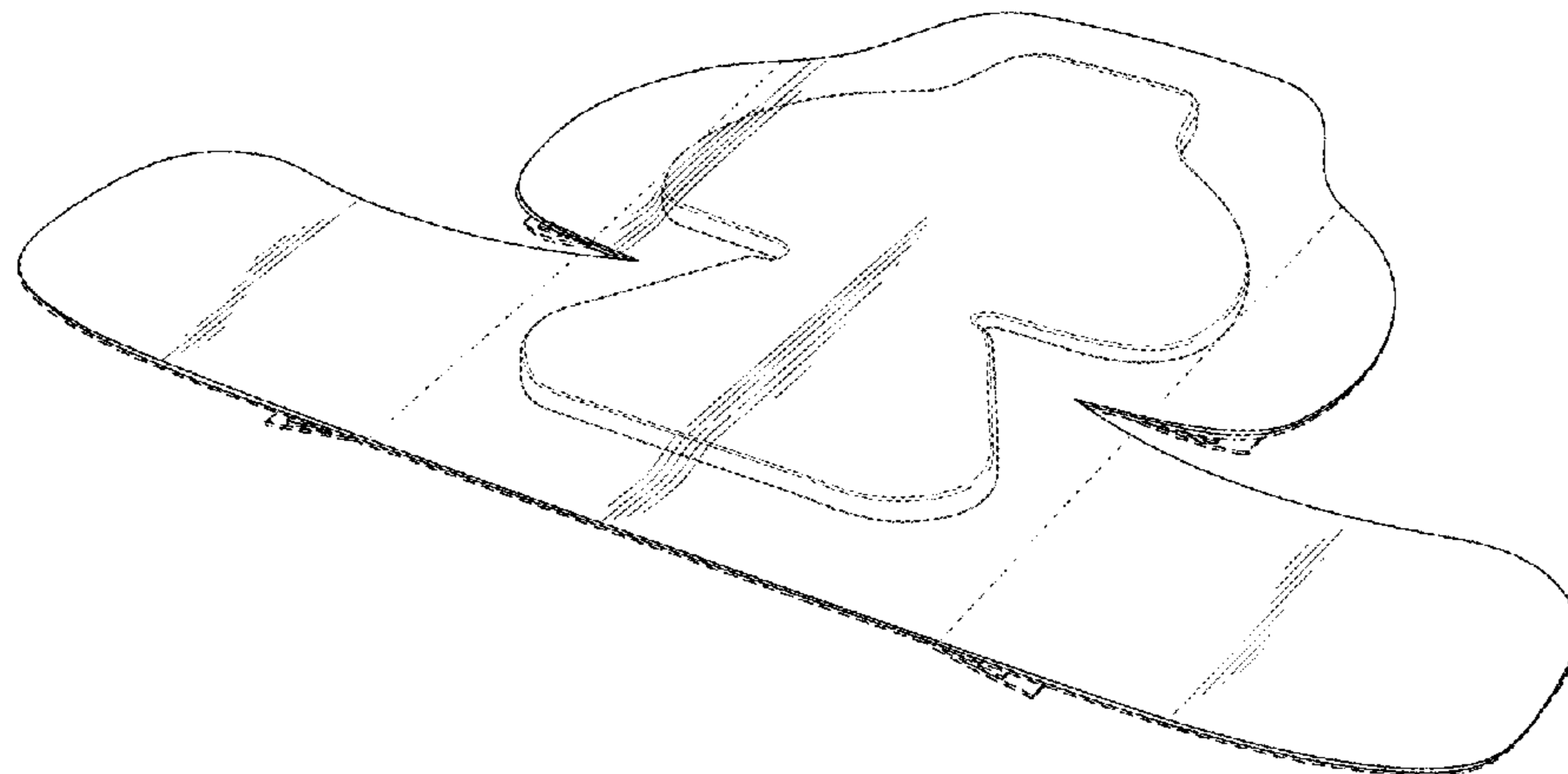
(57) **CLAIM**

The ornamental design for dressing, as shown and described.

DESCRIPTION

FIG. 1 is a top perspective view of a dressing showing our new design;
FIG. 2 is a bottom perspective view thereof;
FIG. 3 is a top plan view thereof;
FIG. 4 is a rear elevational view thereof;
FIG. 5 is a right side elevational view thereof;
FIG. 6 is a bottom plan view thereof;
FIG. 7 is a front plan view thereof; and,
FIG. 8 is a left side elevational view thereof.
In the drawings, the broken lines depict environmental subject matter only and form no part of the claim.

1 Claim, 4 Drawing Sheets



(56)

References Cited

U.S. PATENT DOCUMENTS

D404,314 S 1/1999 Caraballo
 D472,311 S * 3/2003 Edens et al. D24/124
 D474,842 S * 5/2003 Wolsing et al. D24/189
 7,049,478 B1 5/2006 Smith 602/42
 7,091,394 B2 * 8/2006 Kolte et al. 602/42
 D543,622 S * 5/2007 Lash et al. D24/124
 D543,623 S * 5/2007 Lash et al. D24/124
 D552,247 S 10/2007 Uematsu
 7,294,751 B2 11/2007 Propp et al. 602/56
 D557,424 S 12/2007 Knight
 D562,461 S 2/2008 Nash
 D569,984 S 5/2008 Reinhardt
 D571,923 S 6/2008 Roberts
 D572,824 S 7/2008 Propp
 D572,827 S 7/2008 Bauerfeind
 D573,260 S 7/2008 Dunshee
 D574,084 S 7/2008 Reinhardt
 D574,085 S 7/2008 Lucchetti
 D575,874 S * 8/2008 Ormsby D24/189
 D577,829 S 9/2008 Bauerfeind
 D578,651 S 10/2008 Dunshee
 D579,109 S * 10/2008 Zink et al. D24/126
 D580,553 S 11/2008 Nash
 D584,416 S 1/2009 Bauerfeind
 D596,746 S 7/2009 Bauerfeind
 D598,115 S 8/2009 Bauerfeind
 D601,705 S 10/2009 Bauerfeind
 D601,706 S 10/2009 Bauerfeind
 D601,707 S * 10/2009 Chouiller D24/189
 D601,708 S 10/2009 Bauerfeind
 D604,423 S 11/2009 Dunshee
 D604,424 S 11/2009 Coubetergues
 D607,112 S 12/2009 Lee
 D607,113 S 12/2009 Lee
 D611,156 S 3/2010 Dunshee
 D612,060 S 3/2010 Smith
 D618,357 S 6/2010 Navies
 D618,811 S 6/2010 Navies
 D620,122 S 7/2010 Cotton
 D622,404 S 8/2010 Williams
 D625,018 S * 10/2010 Smith et al. D24/189
 D629,910 S 12/2010 Ha
 D629,911 S 12/2010 Ha

D634,423 S 3/2011 Heinecke
 D636,881 S 4/2011 Clemens
 D637,299 S * 5/2011 Cowles D24/189
 D637,725 S 5/2011 Seminaroti
 D642,693 S 8/2011 Bachurska
 D646,846 S * 10/2011 Roman D28/7
 D648,439 S 11/2011 Freedline
 D649,652 S 11/2011 Althorpe
 D650,908 S 12/2011 Robert
 RE43,195 E * 2/2012 Cotton D24/189
 D712,551 S * 9/2014 Igwebuike et al. D24/189
 D712,553 S * 9/2014 Igwebuike et al. D24/189
 D723,175 S * 2/2015 Igwebuike et al. D24/189
 D723,177 S * 2/2015 Igwebuike et al. D24/189
 2009/0177135 A1 * 7/2009 Rogers et al. 602/54

FOREIGN PATENT DOCUMENTS

EM 000062104-0003 8/2003
 EM 000086772-0001 10/2003
 EM 000086772-0002 10/2003
 EM 000163159-0001 3/2004
 EM 000245253-0001 10/2004
 EM 000736533-0001 6/2007
 EM 000736533-0002 6/2007
 EM 000881180-0001 2/2008
 EM 000929872-0001 5/2008
 EM 001007728-0001 9/2008
 EM 001007728-0002 9/2008
 EM 001007728-0003 9/2008
 EM 001134779-0001 5/2009
 EM 001654419-0001 1/2010
 EM 001654419-0002 1/2010
 EM 001654419-0003 1/2010
 EM 001654419-0004 1/2010
 EM 001654419-0005 1/2010
 EM 001839234-0001 3/2011
 EM 001845298-0001 4/2011
 EM 001845298-0002 4/2011
 EM 001859844-0001 5/2011
 EM 001976671-0001 1/2012
 EM 001976671-0002 1/2012
 EM 001976671-0003 1/2012
 EP 91919353.2 10/1991
 GB 0916581.2 9/2009

* cited by examiner

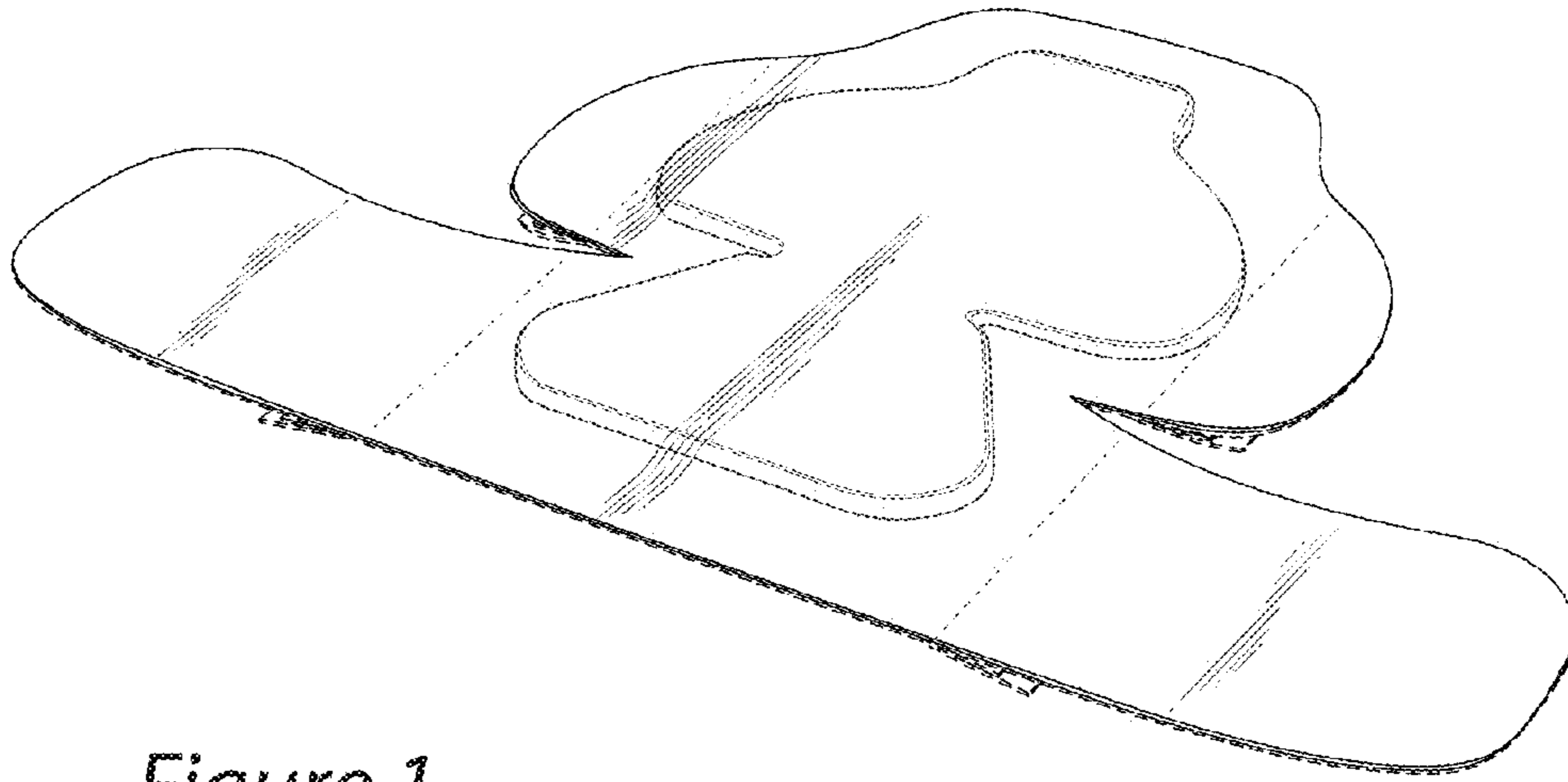


Figure 1

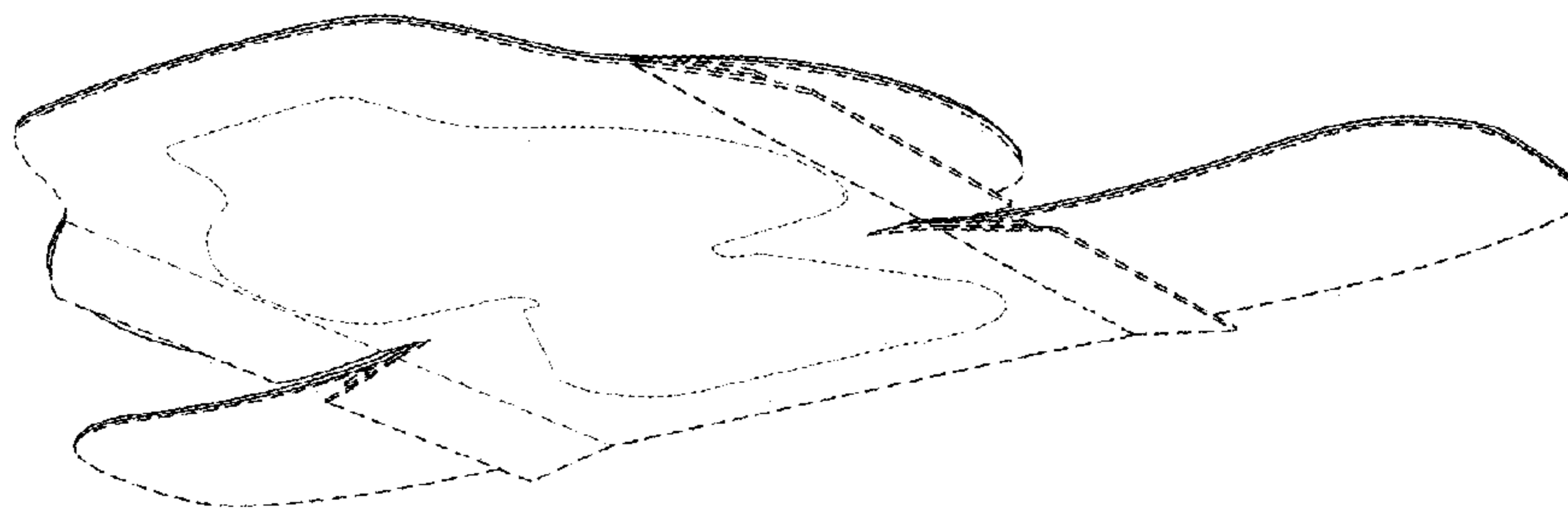


Figure 2

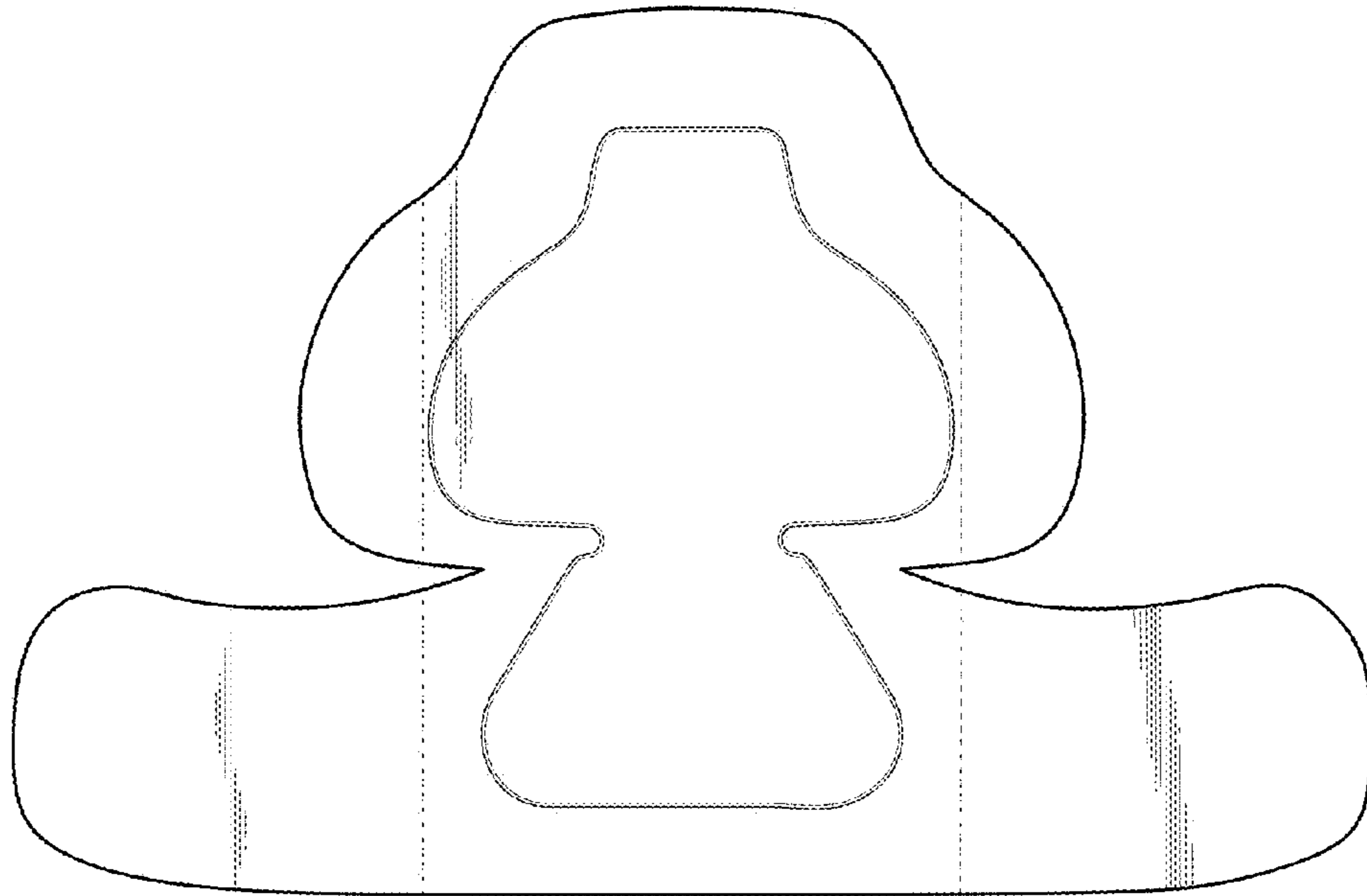


Figure 3

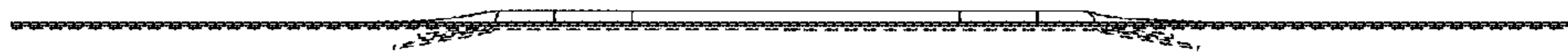


Figure 4

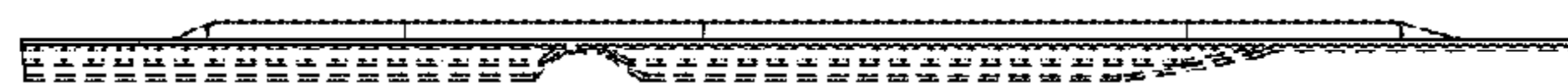


Figure 5

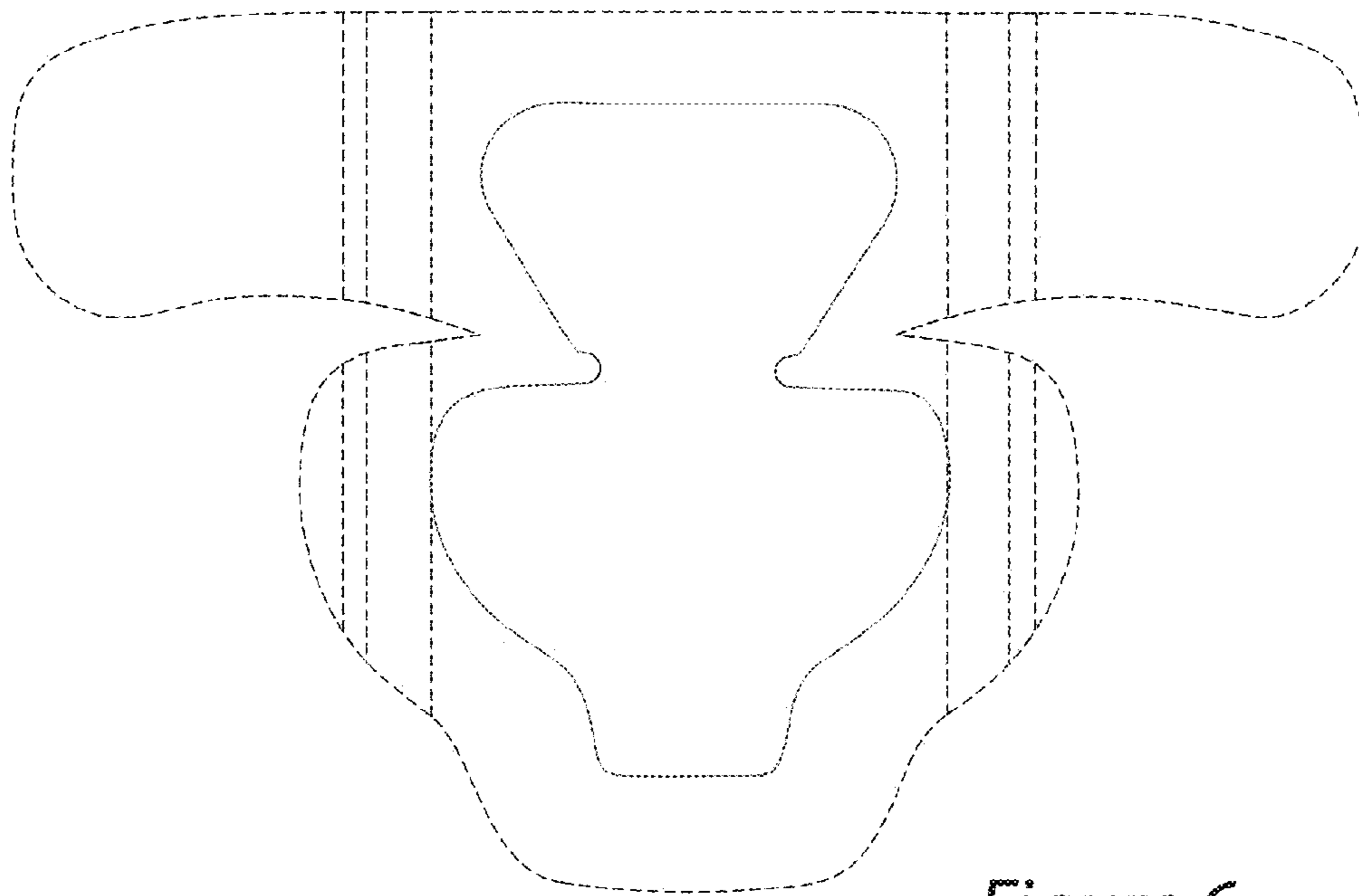


Figure 6

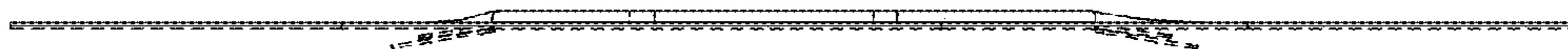


Figure 7

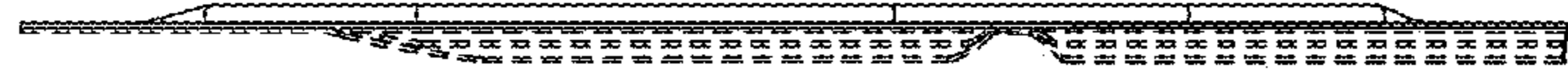


Figure 8