



US00D743563S

(12) **United States Design Patent**
Wen

(10) **Patent No.:** **US D743,563 S**
(45) **Date of Patent:** **** Nov. 17, 2015**

(54) **COVER OF A REHABILITATION DEVICE**

(71) Applicant: **FUNG LEAD MEDICAL AND SPORTS CO., LTD.**, Nantou County (TW)

(72) Inventor: **Yen-Huei Wen**, Nantou County (TW)

(73) Assignee: **Fung Lead Medical and Sports Co., Ltd.**, Nantou (TW)

(**) Term: **14 Years**

(21) Appl. No.: **29/512,971**

(22) Filed: **Dec. 23, 2014**

(51) **LOC (10) Cl.** **24-04**

(52) **U.S. Cl.**
USPC **D24/188**

(58) **Field of Classification Search**
USPC D24/188; D10/64, 71
CPC A61F 5/0123; A61F 5/0106; A61F 5/01;
A61F 5/0102; A61F 5/0125
See application file for complete search history.

(56) **References Cited**

U.S. PATENT DOCUMENTS

4,220,334	A *	9/1980	Kanamoto	A63B 23/16 482/48
D328,434	S *	8/1992	Taggart	D10/64
D330,337	S *	10/1992	Moss	D10/64
5,711,746	A *	1/1998	Carlson	A63B 21/0056 482/112
D539,682	S *	4/2007	Huang	D10/71
D546,955	S *	7/2007	Bauerfiend	D24/190
D655,817	S *	3/2012	Schilling	D24/190
D660,437	S *	5/2012	Schilling	D24/190

D687,556	S *	8/2013	Joseph	D24/190
D693,930	S *	11/2013	Manalo	D24/190
D712,048	S *	8/2014	Sigurdsson	D24/190
D726,925	S *	4/2015	Fraser	D24/190
2010/0076360	A1 *	3/2010	Shimada	A61B 6/037 602/23
2011/0224585	A1 *	9/2011	Hall	A61H 1/024 601/34
2015/0100005	A1 *	4/2015	Lu	A61F 5/0102 602/16
2015/0100006	A1 *	4/2015	Lu	A61F 5/0102 602/16

* cited by examiner

Primary Examiner — T. Chase Nelson

Assistant Examiner — Michelle E Wilson

(74) *Attorney, Agent, or Firm* — Wang Law Firm, Inc.; Li K. Wang; Stephen Hsu

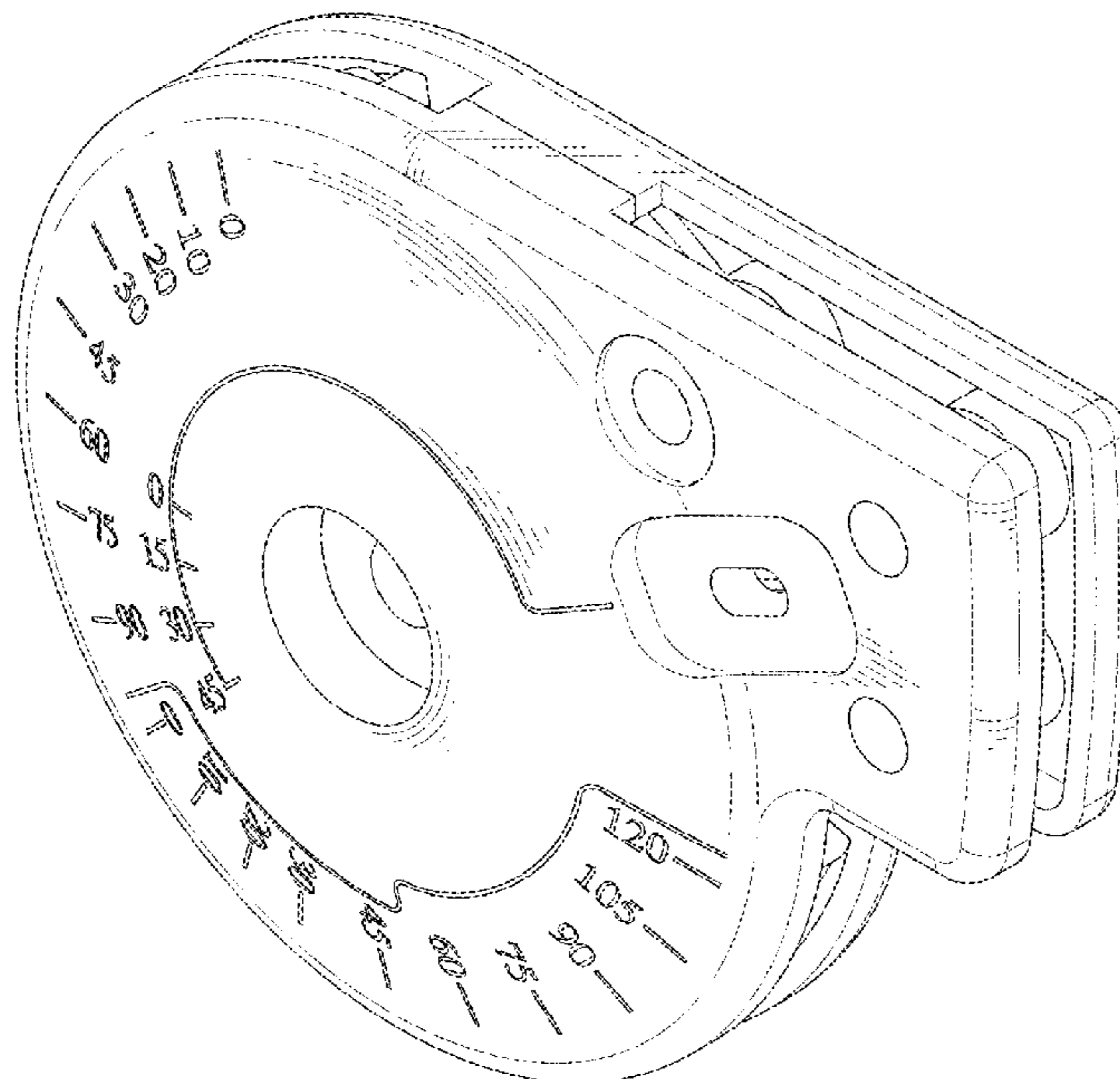
(57) **CLAIM**

The ornamental design for a cover of a rehabilitation device, as shown and described.

DESCRIPTION

FIG. 1 is a perspective view of a cover of a rehabilitation device showing my new design;
FIG. 2 is a front view thereof;
FIG. 3 is a rear view thereof;
FIG. 4 is a left side view thereof;
FIG. 5 is a right side view thereof;
FIG. 6 is a top plan view thereof;
FIG. 7 is a bottom plan view thereof; and,
FIG. 8 is a perspective view thereof shown in use.
The broken line showing the legs, and straps with the cover for a rehabilitation device in use illustrates the environment of the claimed design and forms no part thereof.

1 Claim, 5 Drawing Sheets



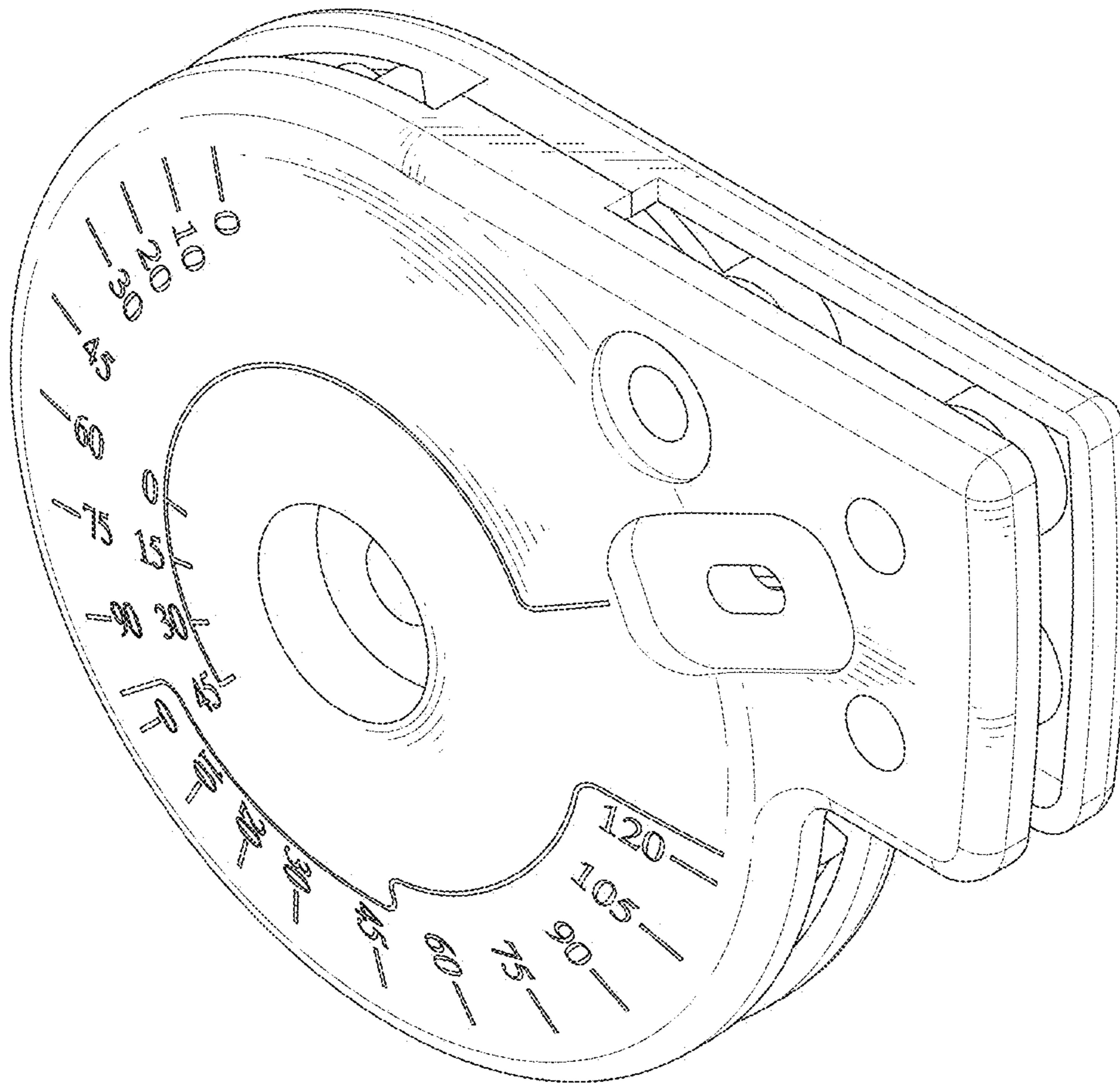


FIG.1

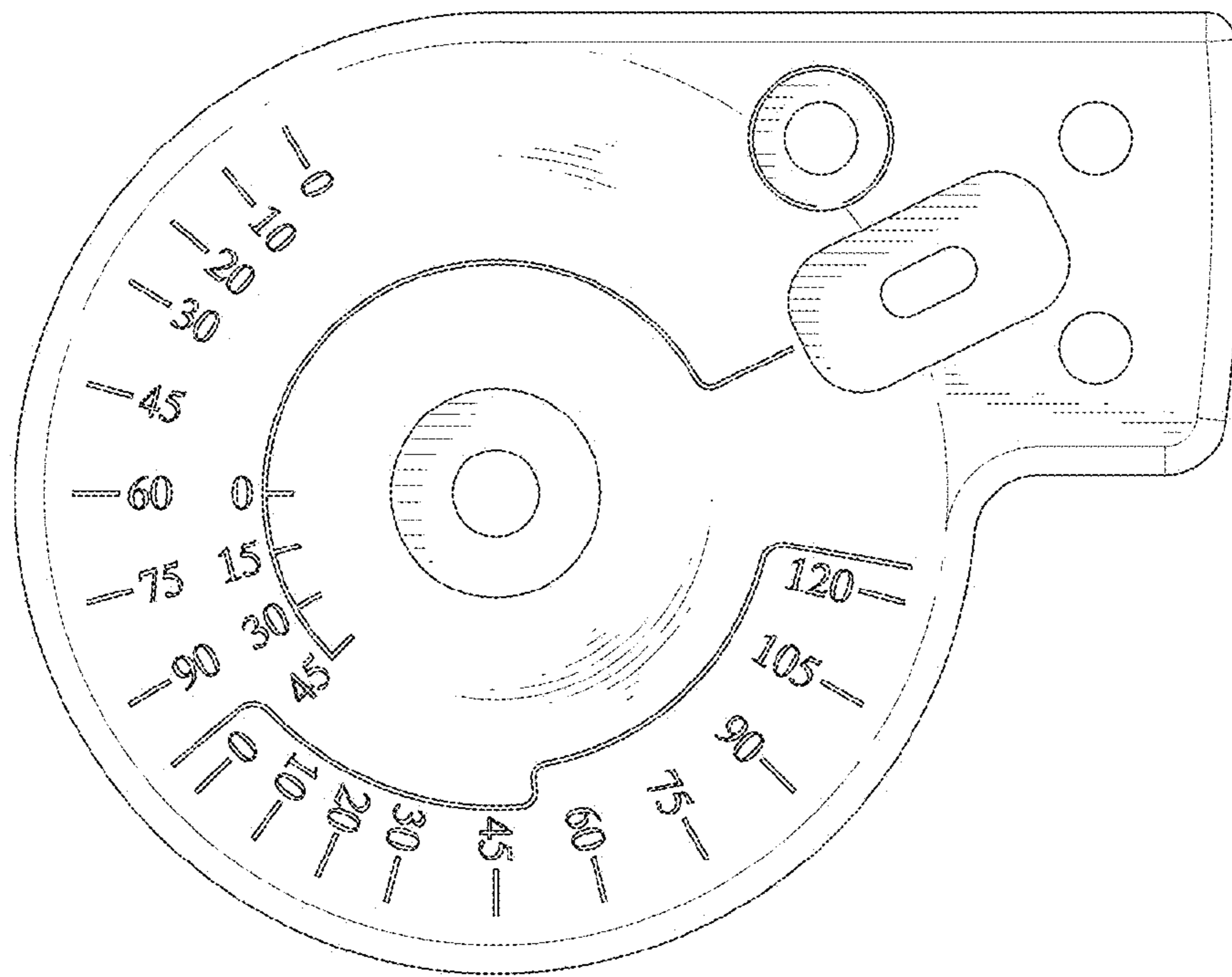


FIG. 2

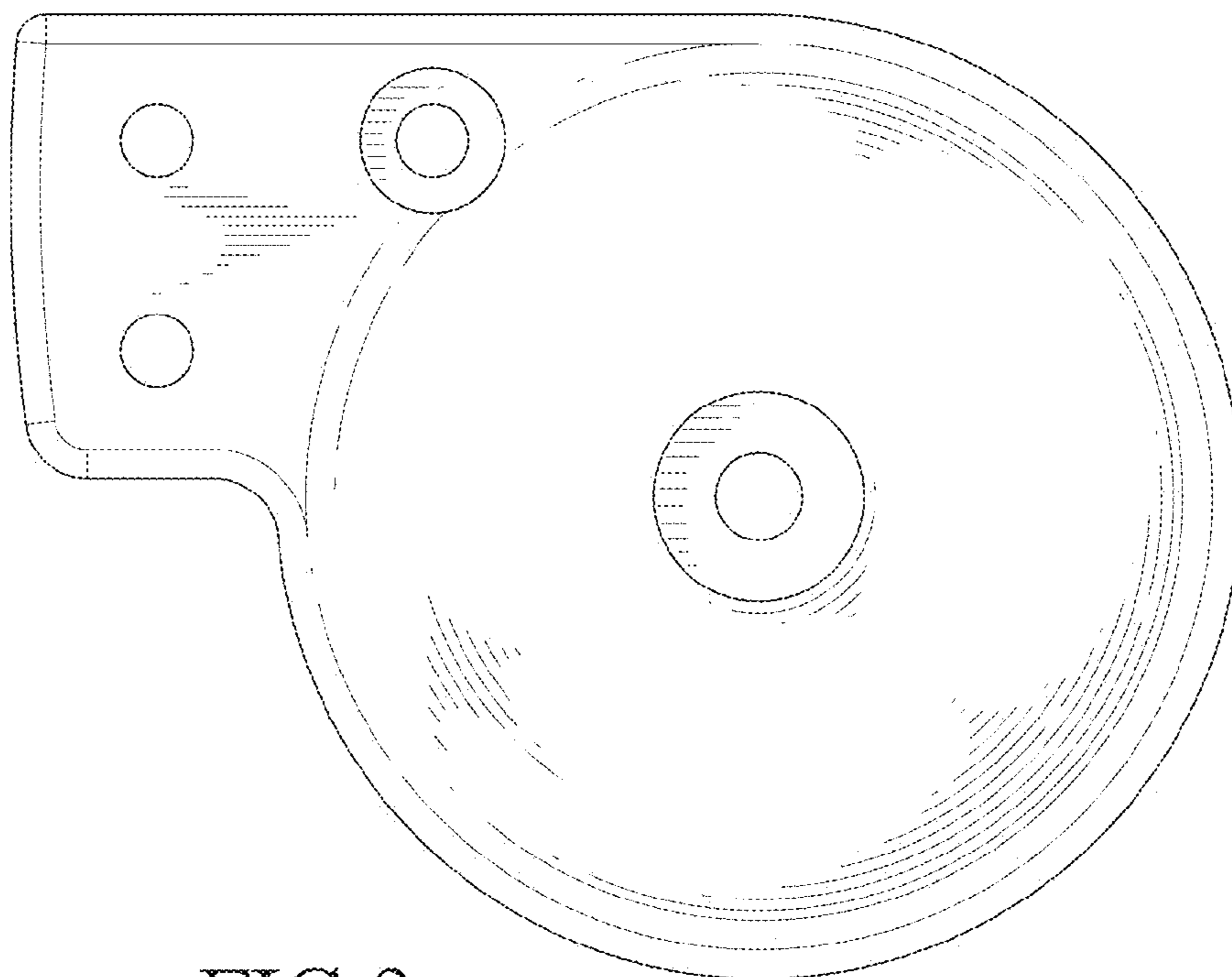


FIG. 3

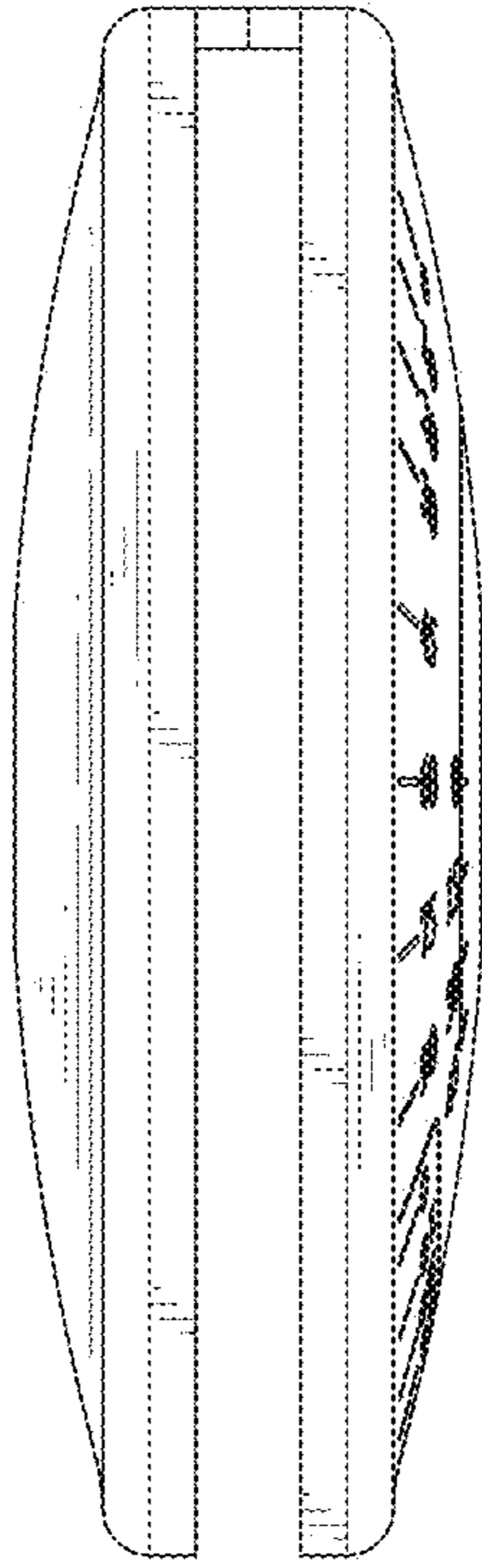


FIG. 4

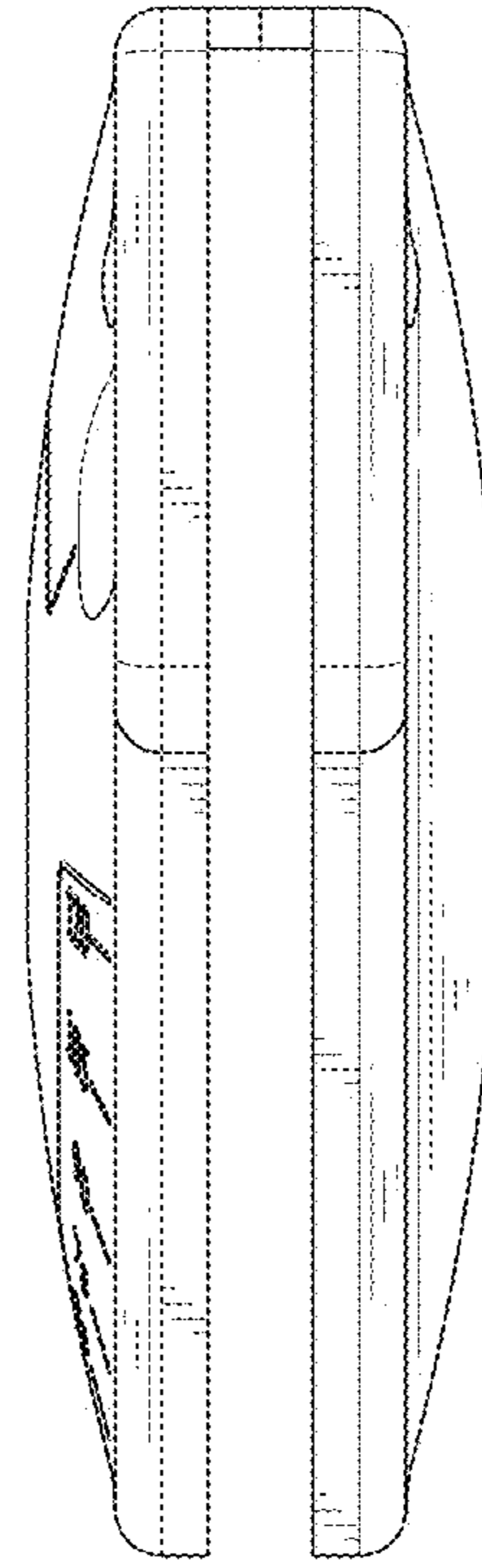


FIG. 5

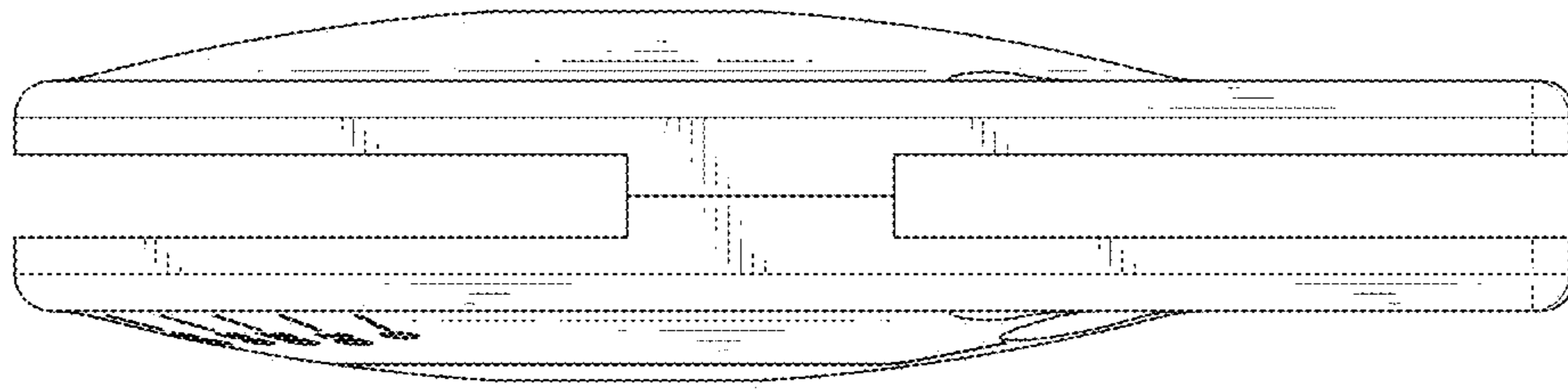


FIG. 6

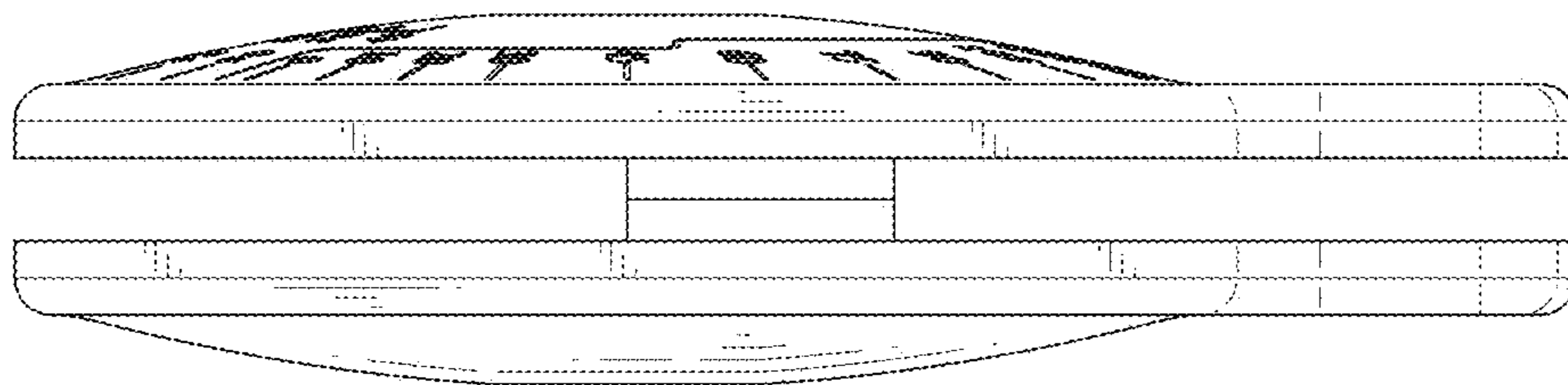


FIG. 7

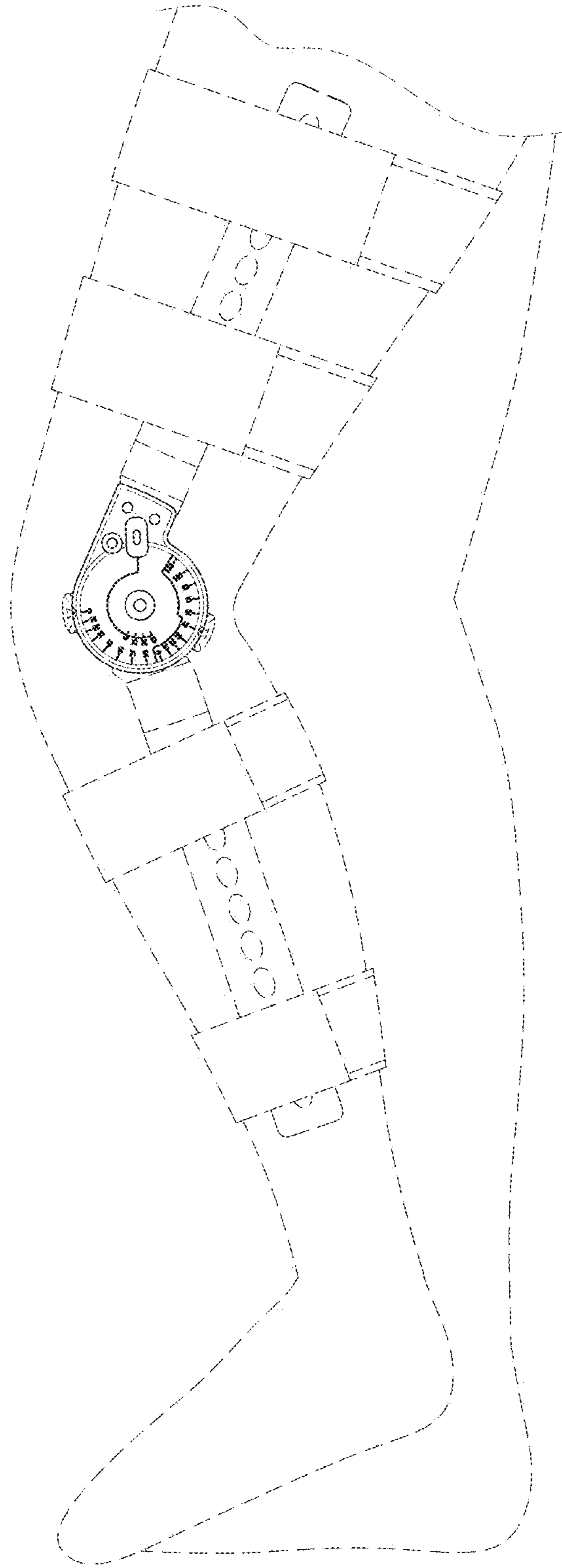


FIG.8