



US00D743560S

(12) **United States Design Patent**  
**Pietrantonio**

(10) **Patent No.:** **US D743,560 S**

(45) **Date of Patent:** **\*\* Nov. 17, 2015**

(54) **G-FORCE INDICATOR**

(71) Applicant: **Antonio Pietrantonio**, Seabrook, NH  
(US)

(72) Inventor: **Antonio Pietrantonio**, Seabrook, NH  
(US)

(\*\*) Term: **14 Years**

(21) Appl. No.: **29/480,969**

(22) Filed: **Jan. 31, 2014**

(51) **LOC (10) Cl.** ..... **24-01**

(52) **U.S. Cl.**

USPC ..... **D24/186**

(58) **Field of Classification Search**

USPC ..... D24/167, 186; D11/3; D10/30-39, 65,  
D10/70, 78, 97, 98, 103; D13/173-177;  
D14/203.5, 247, 338-340, 344, 346,  
D14/347

CPC ..... G08G 1/096883; G08G 1/096872;  
G08G 1/096775; G01C 21/16; G01C 21/3688;  
G01C 21/30; G01V 8/20; G01J 5/023; G01J  
5/24

See application file for complete search history.

(56) **References Cited**

**U.S. PATENT DOCUMENTS**

4,896,139 A \* 1/1990 Eldridge ..... G08B 13/08  
200/61.71  
6,075,450 A \* 6/2000 Clark ..... E01F 9/012  
340/546  
6,301,718 B1 10/2001 Rigal

6,332,226 B1 12/2001 Rush, III  
D499,841 S \* 12/2004 Angeletta ..... D24/200  
6,848,389 B1 2/2005 Elsasser et al.  
D548,837 S \* 8/2007 Oikawa ..... D24/158  
7,743,640 B2 6/2010 Lampe et al.  
7,918,179 B2 4/2011 Pan et al.  
8,074,489 B2 12/2011 Ishikawa et al.  
8,234,994 B1 8/2012 Branch  
8,240,270 B2 8/2012 Naruishi  
2007/0194943 A1 8/2007 Fitzer et al.  
2012/0210498 A1 8/2012 Mack  
2015/0190694 A1\* 7/2015 Ling ..... A63B 67/002  
473/502  
2015/0230742 A1\* 8/2015 Silver ..... A61B 5/14546  
600/348

\* cited by examiner

*Primary Examiner* — Zenia Bennett

(74) *Attorney, Agent, or Firm* — Lambert & Associates;  
Gary E. Lambert; David J. Connaughton, Jr.

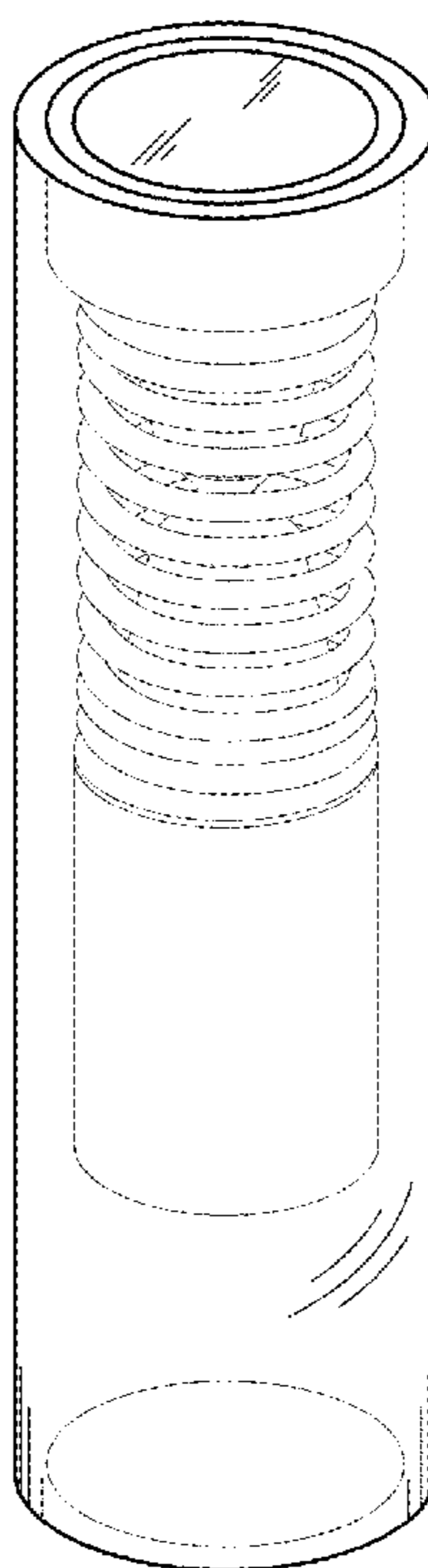
(57) **CLAIM**

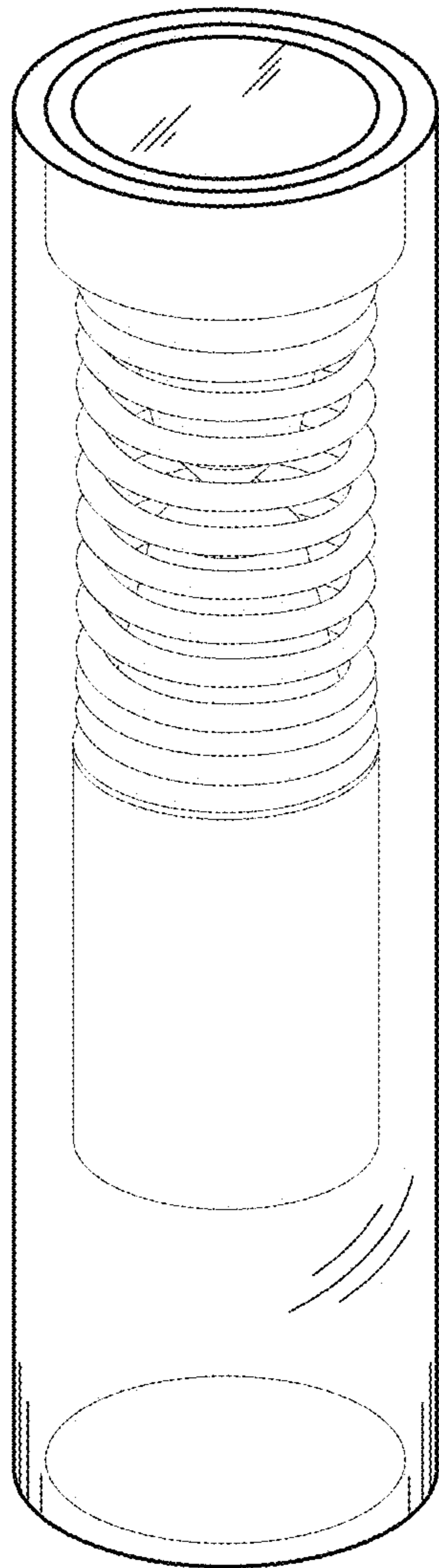
The ornamental design for a G-force indicator, as shown and described.

**DESCRIPTION**

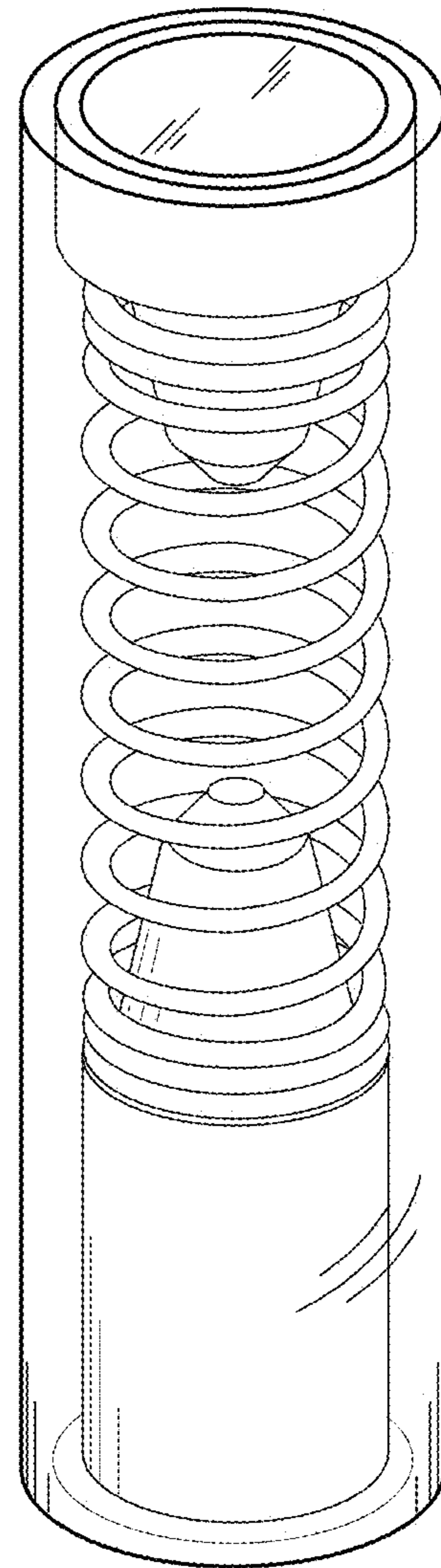
FIG. 1 is a perspective view of the G-force indicator in a non-indicating position;  
FIG. 2 is a perspective view of the G-force indicator in an indicating position;  
FIG. 3 is a side view of the G-force indicator in a non-indicating position;  
FIG. 4 is a bottom view of the G-force indicator; and,  
FIG. 5 is a top view of the G-force indicator.

**1 Claim, 2 Drawing Sheets**

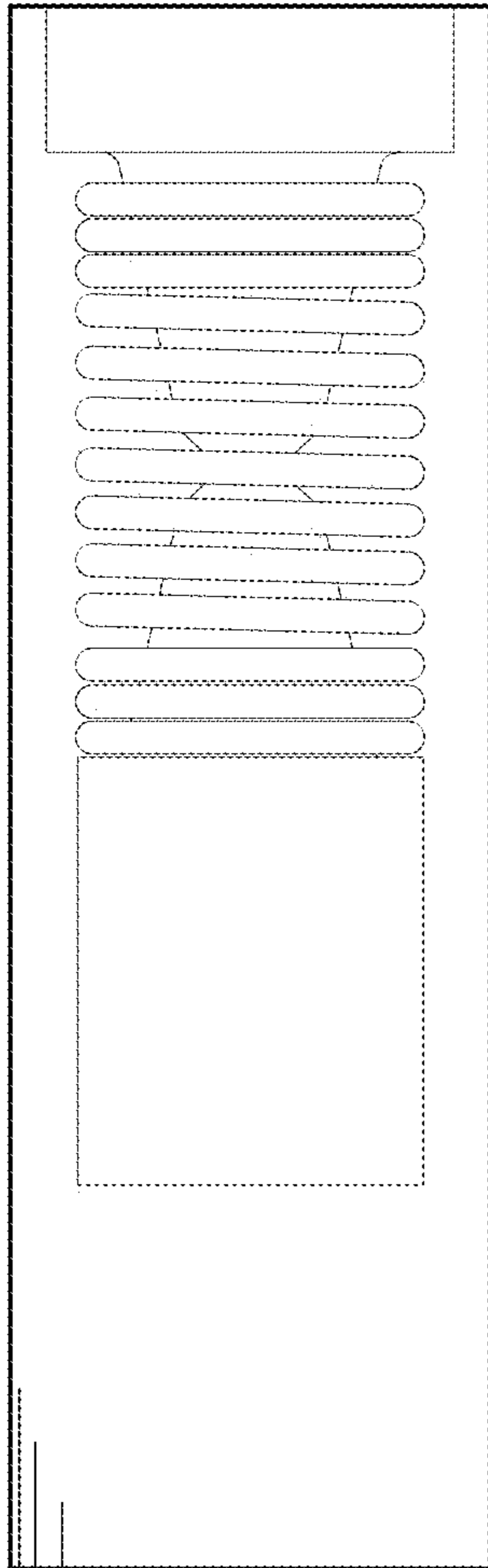




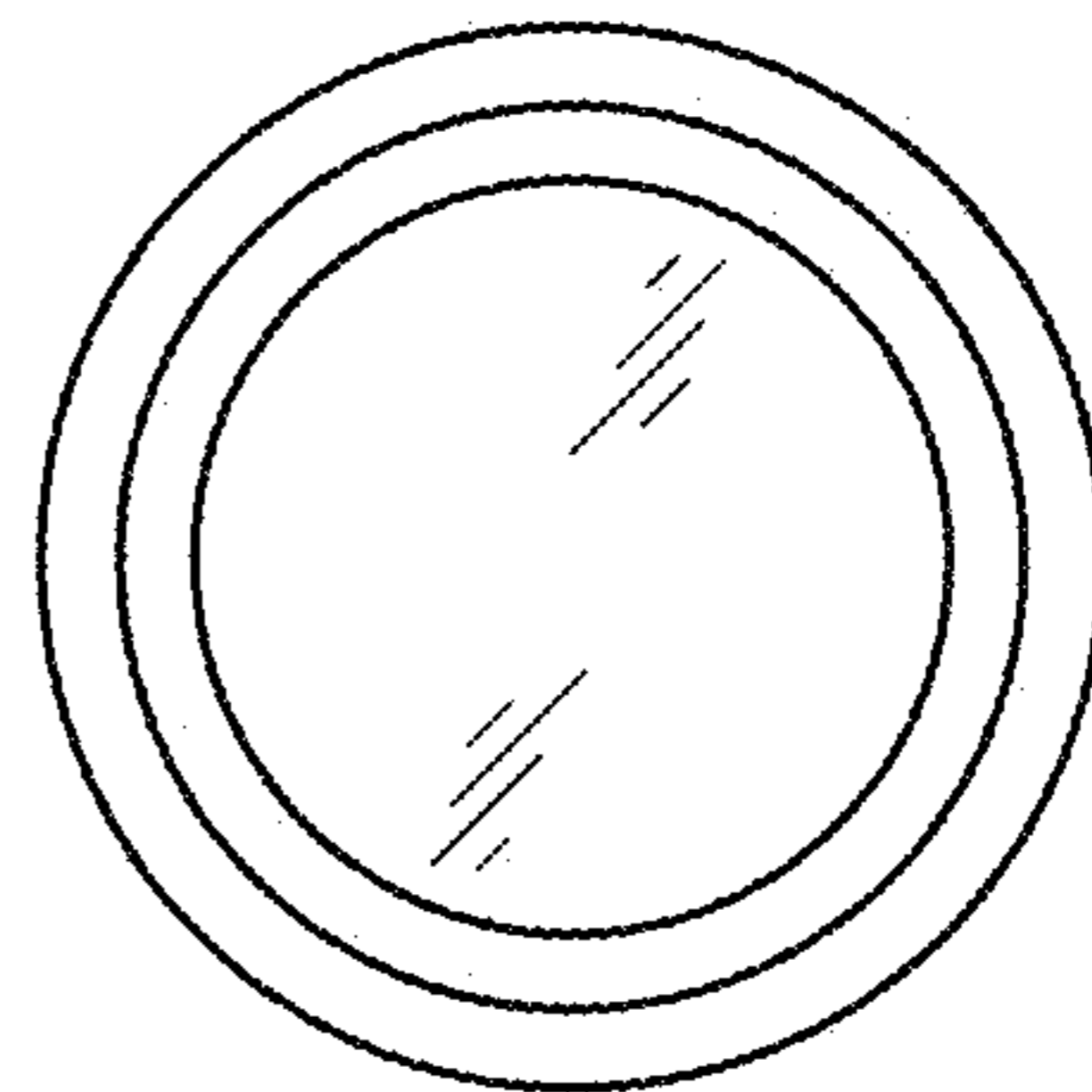
*Fig. 1*



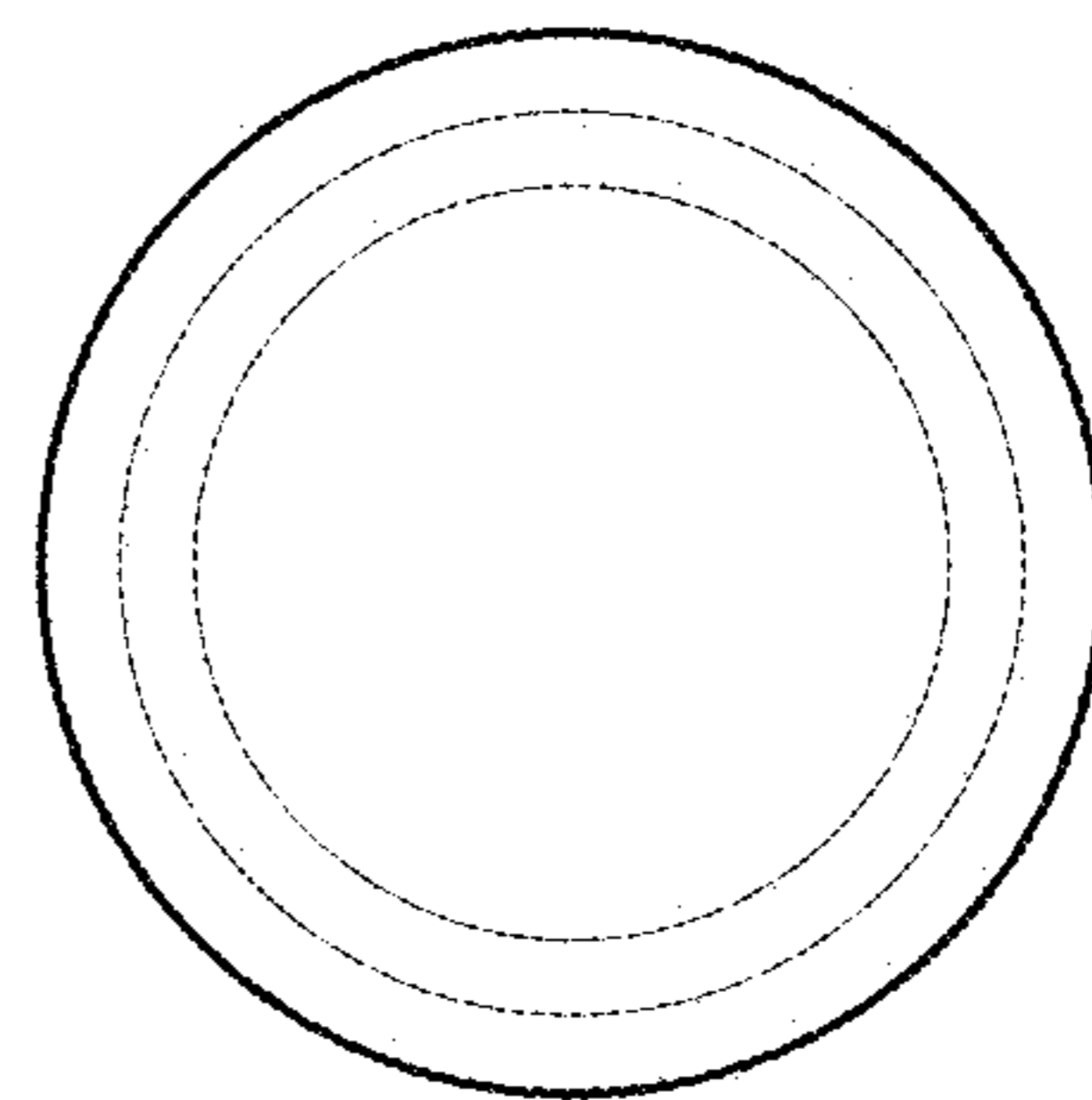
*Fig. 2*



*Fig. 3*



*Fig. 4*



*Fig. 5*