



US00D743559S

(12) **United States Design Patent**
Chen

(10) **Patent No.:** **US D743,559 S**

(45) **Date of Patent:** **** Nov. 17, 2015**

(54) **DYNAMIC URINE MONITORING DEVICE**

(71) Applicant: **ZHUHAI WOMU ELECTRONIC CO., LTD.**, Zhuhai (CN)

(72) Inventor: **Yun Chen**, Zhuhai (CN)

(73) Assignee: **ZHUHAI WOMU ELECTRONIC CO., LTD.**, Guangdong (CN)

(**) Term: **14 Years**

(21) Appl. No.: **29/441,222**

(22) Filed: **Jan. 2, 2013**

(30) **Foreign Application Priority Data**

Sep. 7, 2012 (CN) 2012 3 0429272

(51) **LOC (10) Cl.** **24-01**

(52) **U.S. Cl.**
USPC **D24/186**

(58) **Field of Classification Search**

USPC D24/108, 111, 118, 122, 186, 216, 232;
D10/81; 422/62-65, 67; 436/43,
436/45-47; 4/144.1; 604/313-323, 438,
604/573, 347

See application file for complete search history.

(56) **References Cited**

U.S. PATENT DOCUMENTS

D281,278	S	*	11/1985	Blankenship et al.	D24/186
4,664,124	A	*	5/1987	Ingle et al.	600/438
4,876,204	A	*	10/1989	Inoue et al.	436/46
D334,059	S	*	3/1993	Cathcart et al.	D24/118
D338,419	S	*	8/1993	Frenkel et al.	D24/232
5,331,689	A	*	7/1994	Haq	600/573
D359,357	S	*	6/1995	Bigler et al.	D24/186
5,466,229	A	*	11/1995	Elson et al.	604/317
D376,651	S	*	12/1996	Paloian	D24/216
D424,956	S	*	5/2000	von Buelow et al.	D10/81
6,493,883	B2	*	12/2002	Jones	4/144.1
D477,869	S	*	7/2003	Vijfvinkel	D24/111

D482,796	S	*	11/2003	Oyama et al.	D24/232
D508,999	S	*	8/2005	Fanning et al.	D24/216
D527,464	S	*	8/2006	Ina et al.	D24/232
D535,403	S	*	1/2007	Isozaki et al.	D24/232
D536,782	S	*	2/2007	Koizumi et al.	D24/108
D554,551	S	*	11/2007	Ouchi et al.	D10/81
D564,655	S	*	3/2008	Koizumi et al.	D24/108
D585,993	S	*	2/2009	Kousuge	D24/186
D588,276	S	*	3/2009	Isozaki et al.	D24/232
D591,864	S	*	5/2009	Schmidt	D24/216
D607,569	S	*	1/2010	Yukikado et al.	D24/186
7,722,584	B2	*	5/2010	Tanaka et al.	604/317

(Continued)

Primary Examiner — T. Chase Nelson

Assistant Examiner — Mark Cavanna

(74) *Attorney, Agent, or Firm* — Cozen O'Connor

(57) **CLAIM**

The ornamental design for a dynamic urine monitoring device, as shown and described.

DESCRIPTION

FIG. 1 is a front view of the dynamic urine monitoring device in accordance with the present invention

FIG. 2 is a bottom view thereof;

FIG. 3 is a top plan view thereof;

FIG. 4 is a right side view thereof;

FIG. 5 is a rear view thereof;

FIG. 6 is a left side view thereof;

FIG. 7 is a right side, front perspective view thereof;

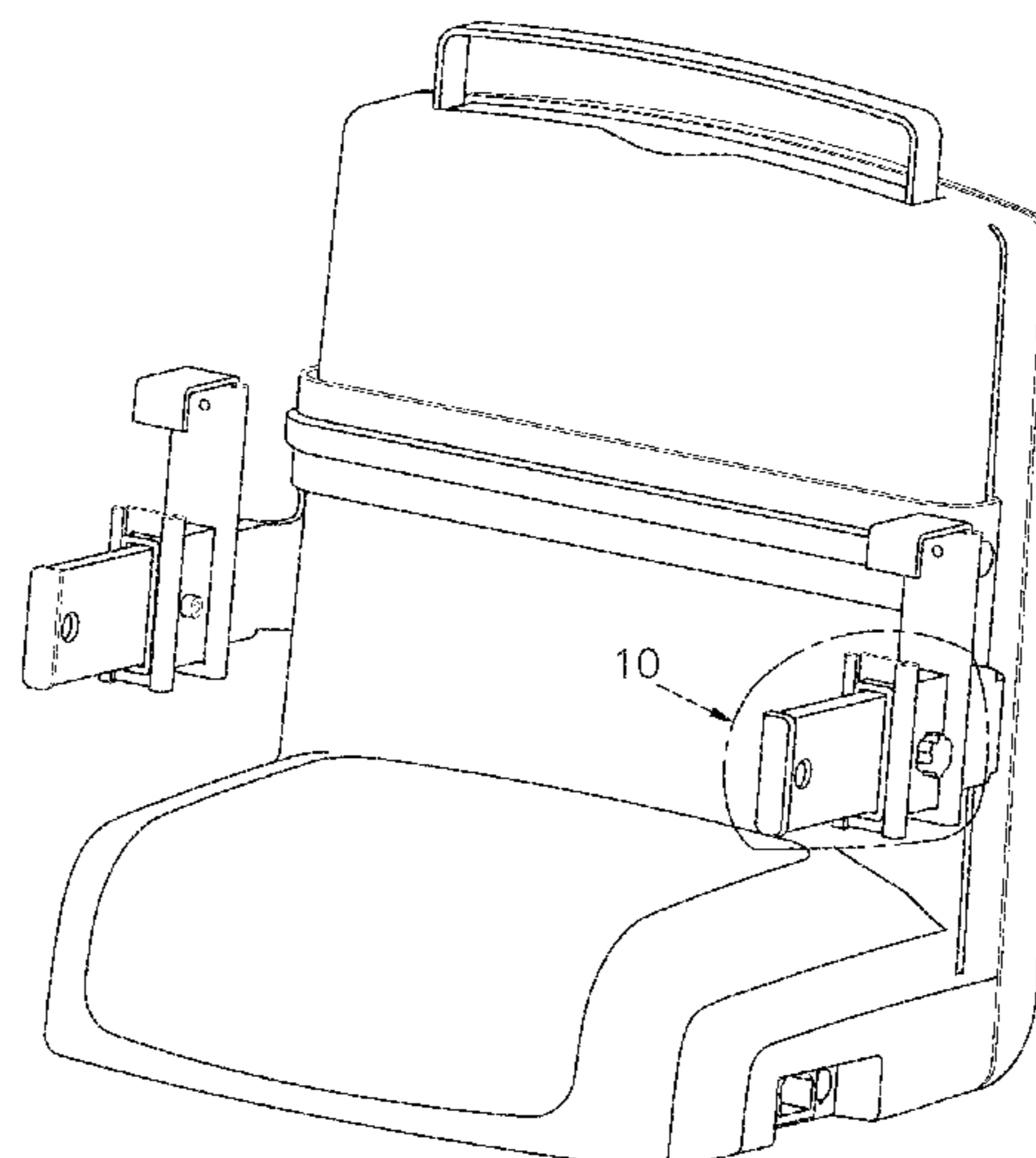
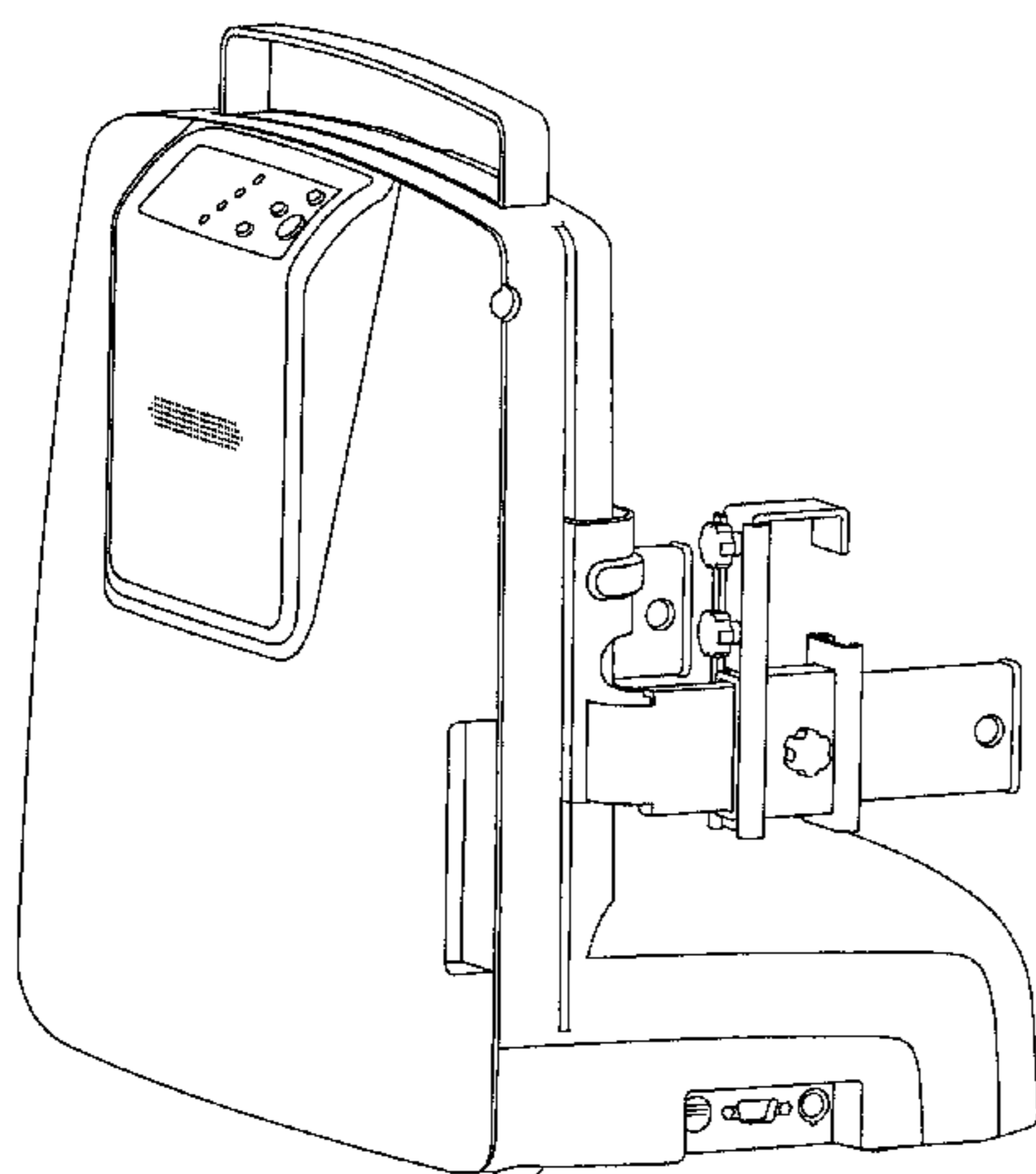
FIG. 8 is an enlarged partial view of the region enclosed by long dash/short dash broken lines in FIG. 7;

FIG. 9 is a left side, rear perspective view thereof; and,

FIG. 10 is an enlarged partial view of the region enclosed by long dash/short dash broken lines in FIG. 9.

The dash/dash broken lines are included for the purpose of illustrating unclaimed portions of the dynamic urine monitoring device, and form no part of the claimed design. The long dash/short dash broken lines in FIGS. 7 and 9 identify the regions which are depicted in enlarged partial views in FIGS. 8 and 10.

1 Claim, 10 Drawing Sheets



(56)

References Cited

U.S. PATENT DOCUMENTS

D625,407 S * 10/2010 Koizumi et al. D24/122
D631,976 S * 2/2011 Oonuma et al. D24/216
D638,545 S * 5/2011 Okawa et al. D24/186
D640,378 S * 6/2011 Okawa et al. D24/186
D647,621 S * 10/2011 Lee et al. D24/186
D657,068 S * 4/2012 Shibata D24/216

D670,402 S * 11/2012 Shibata D24/216
D671,227 S * 11/2012 Parker et al. D24/216
D691,732 S * 10/2013 Shibata et al. D24/216
D693,477 S * 11/2013 Isozaki D24/216
D704,348 S * 5/2014 Shibata et al. D24/216
2007/0225666 A1 * 9/2007 Otto 604/317
2007/0225668 A1 * 9/2007 Otto 604/347
2010/0254854 A1 * 10/2010 Rich et al. 422/64

* cited by examiner

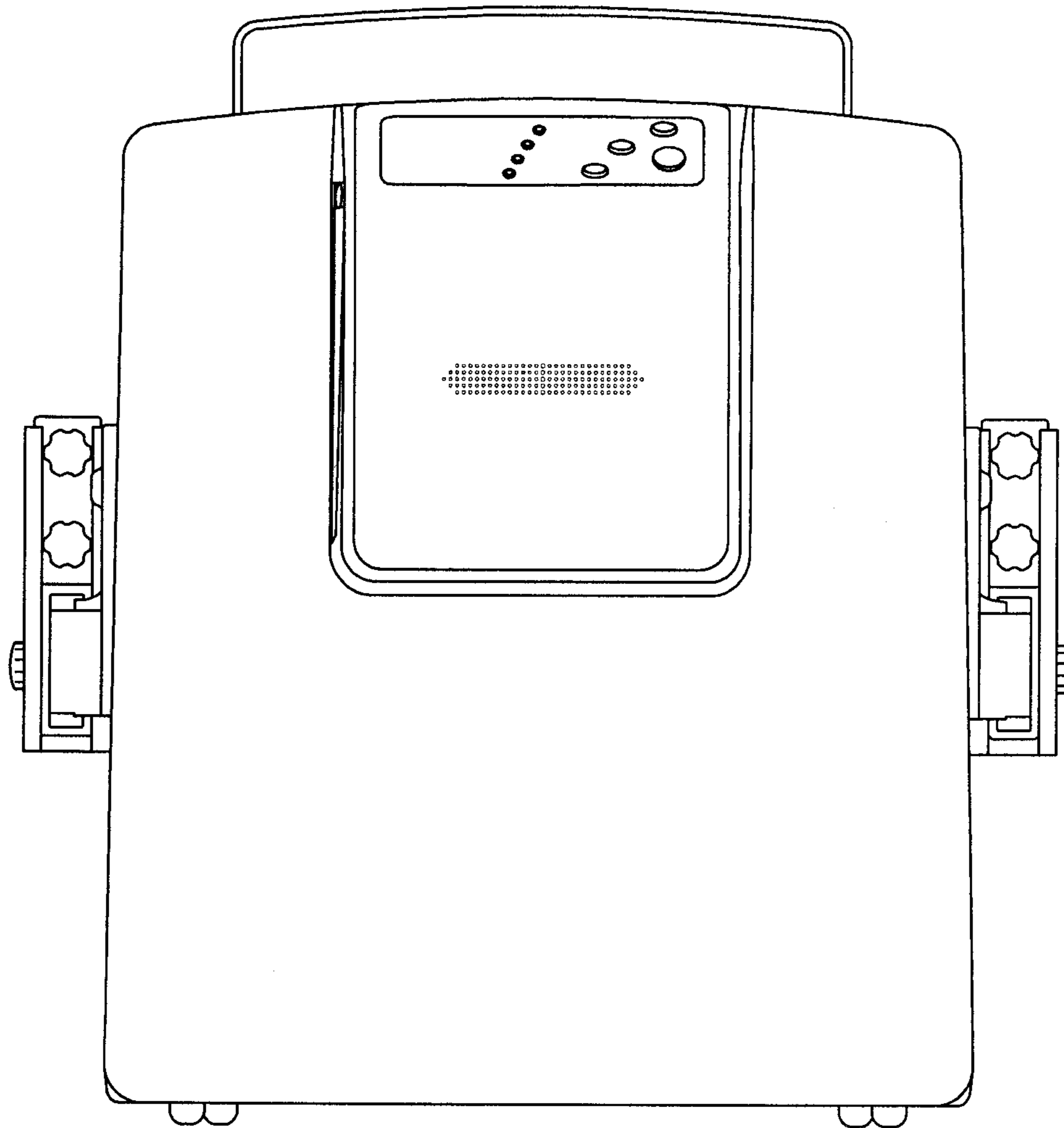


Fig. 1

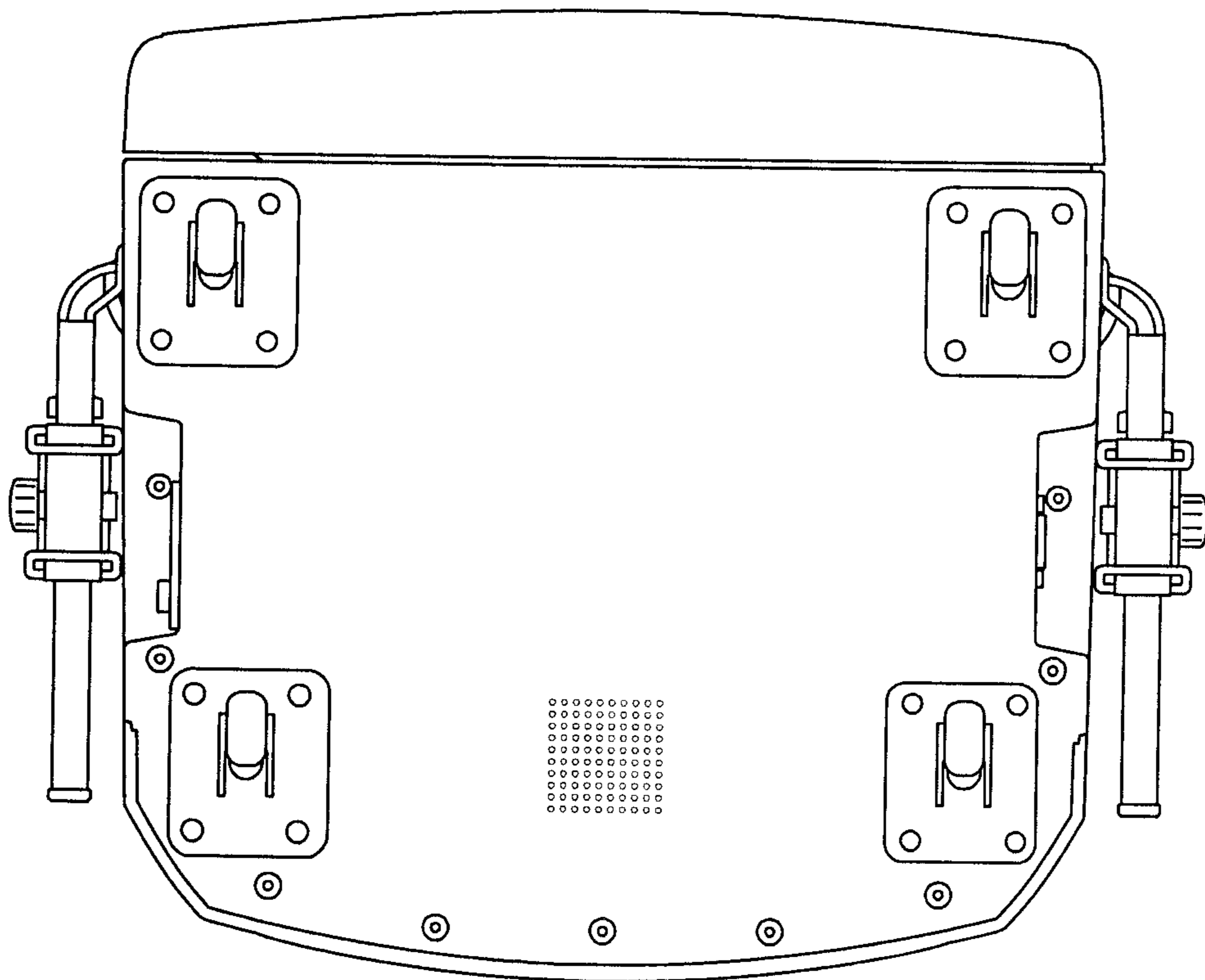


Fig. 2

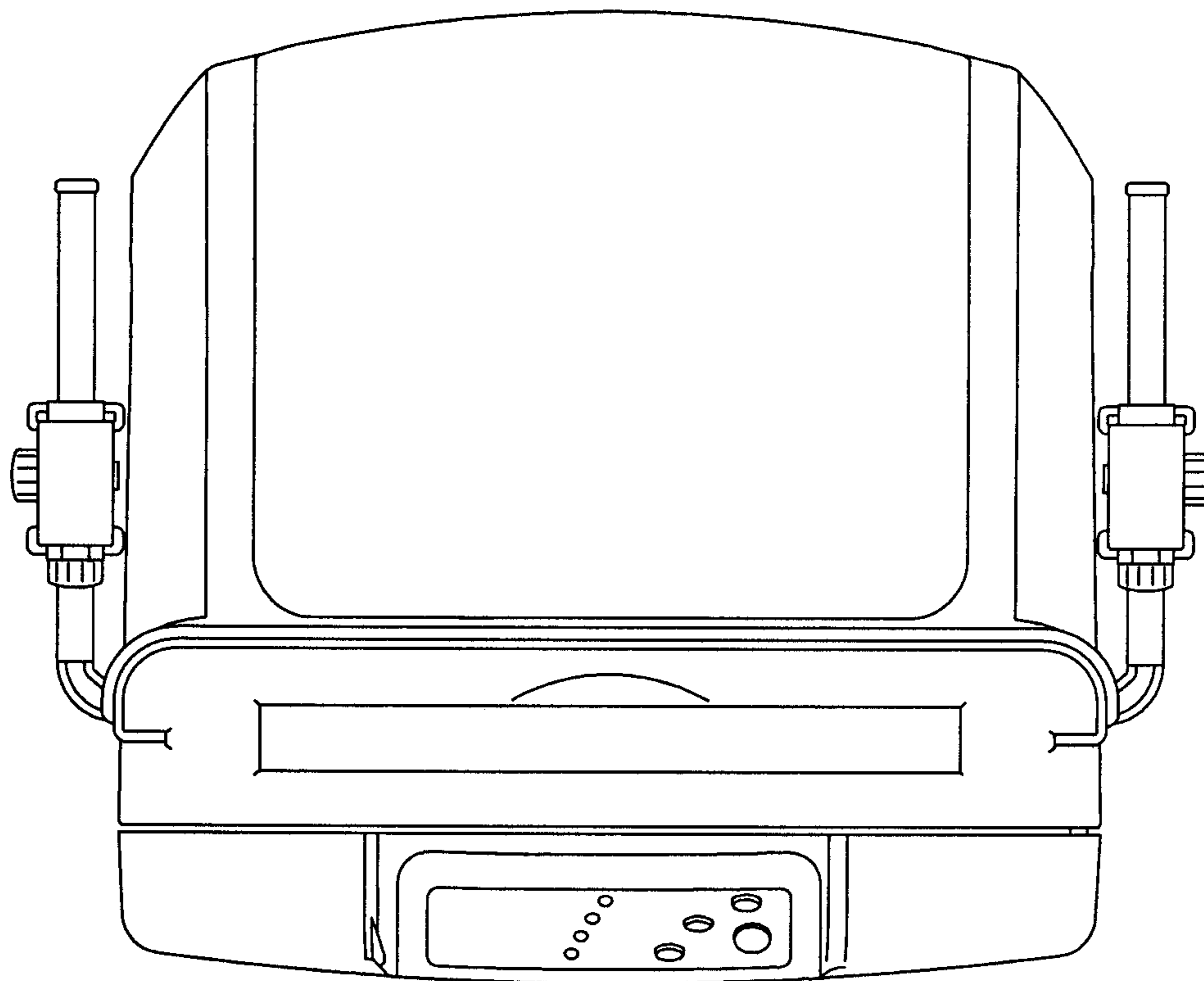


Fig. 3

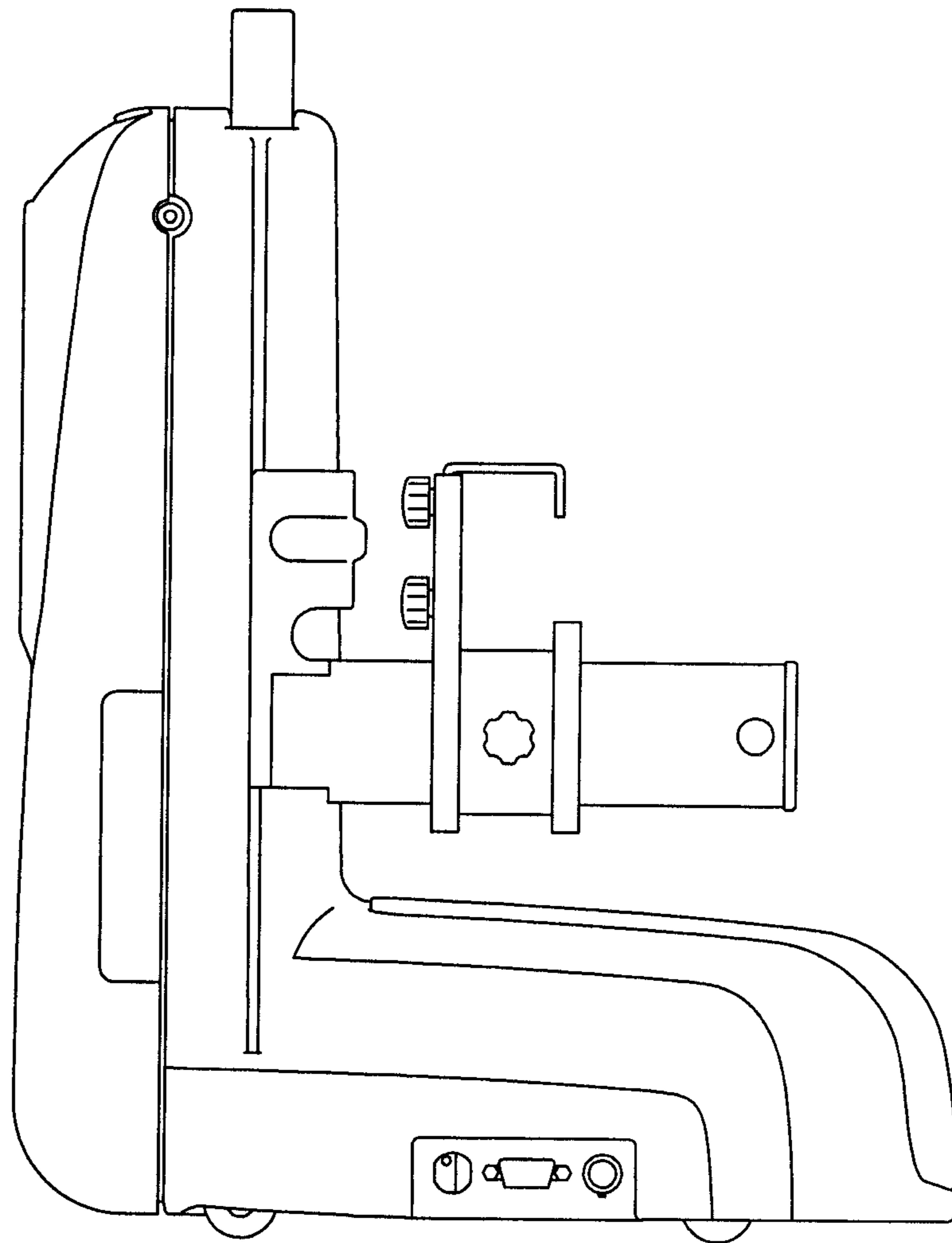


Fig. 4

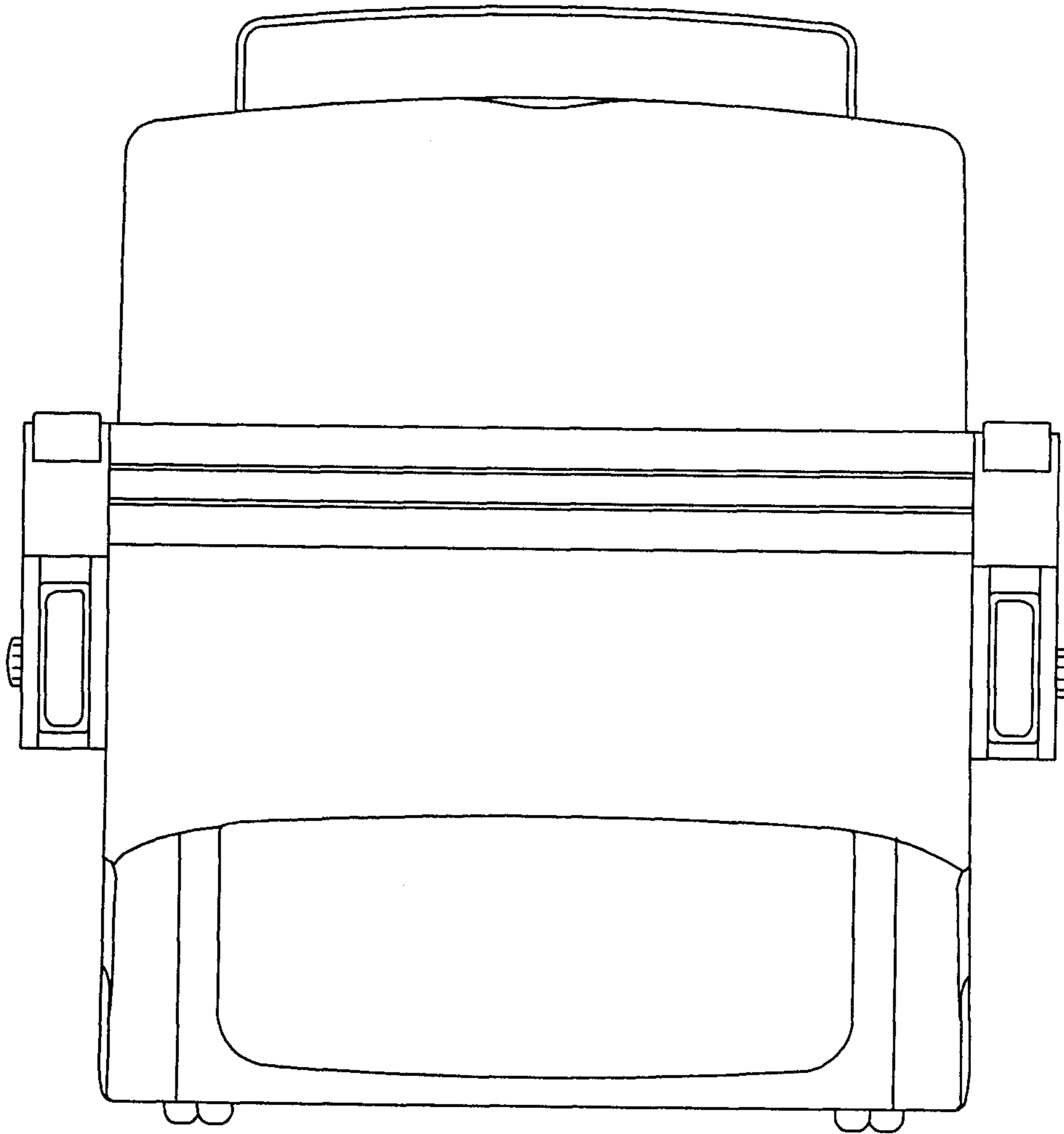


Fig. 5

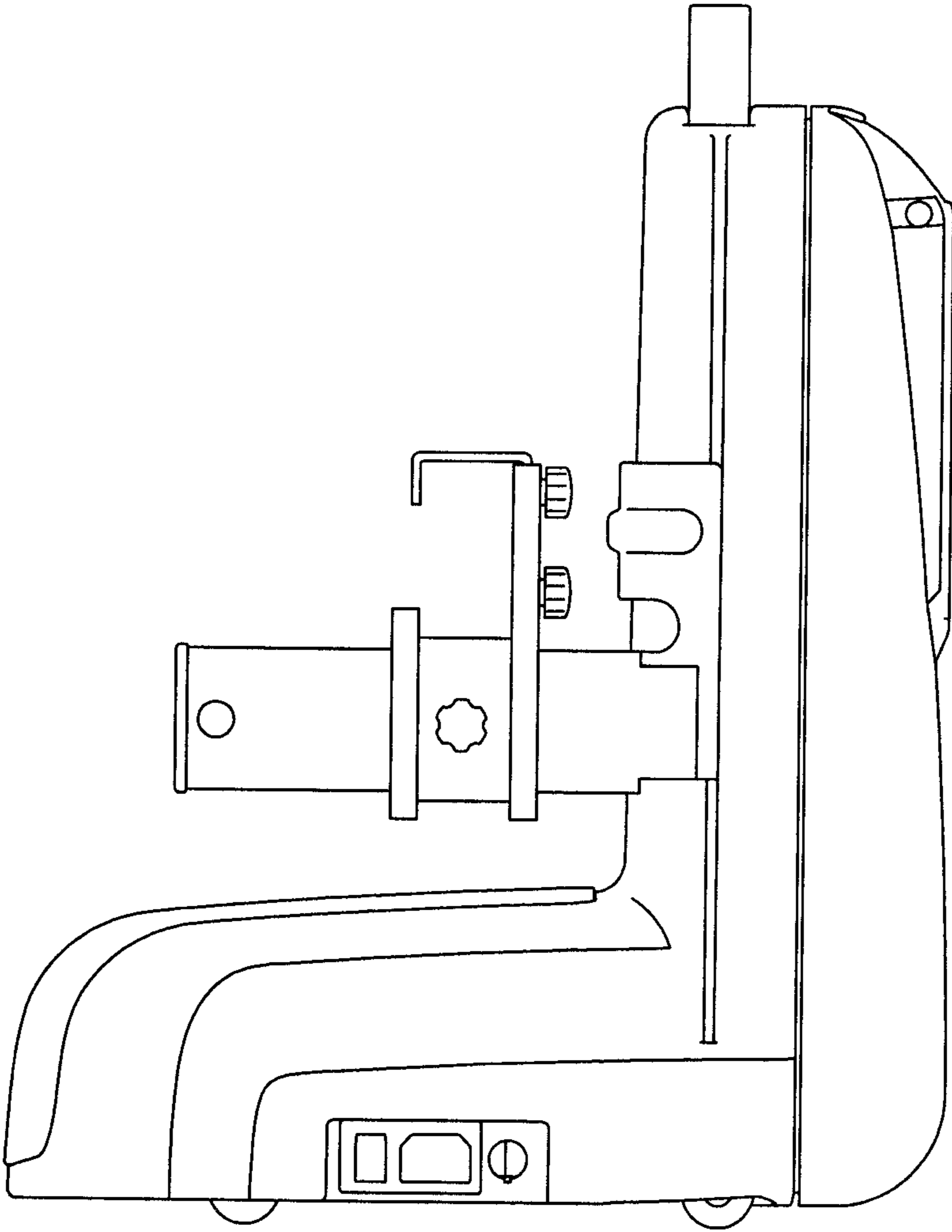


Fig. 6

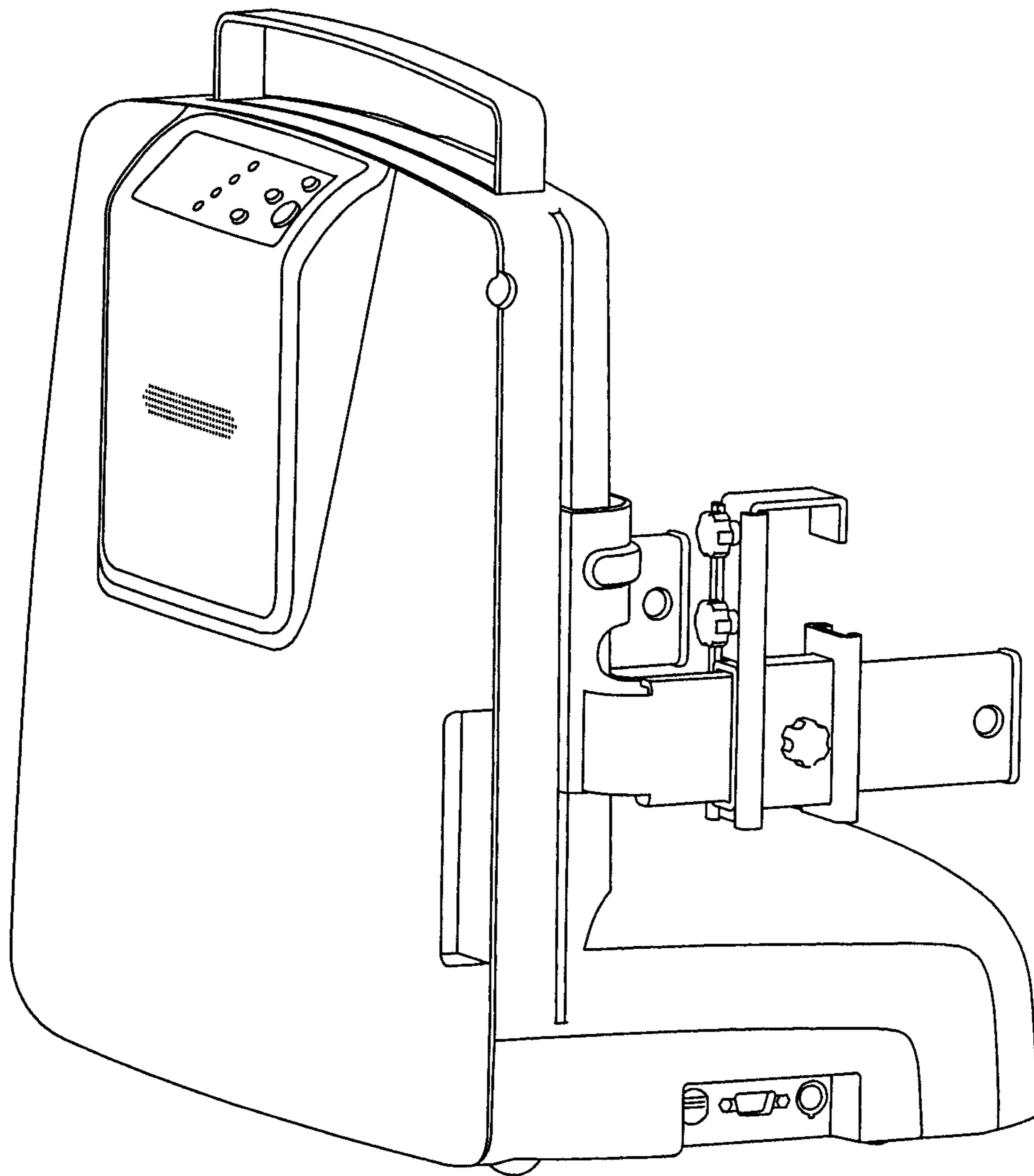


Fig. 7

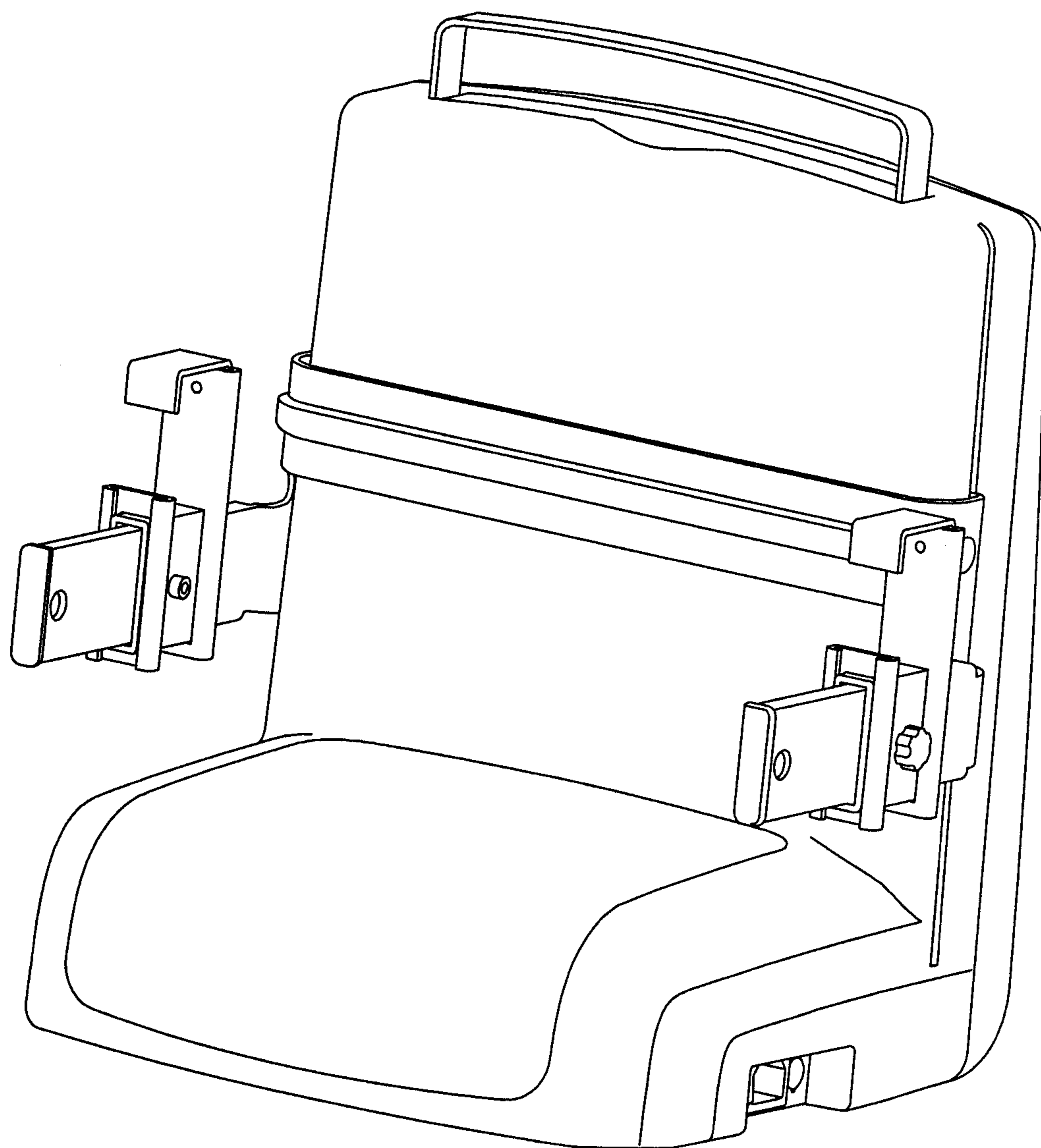


Fig. 8

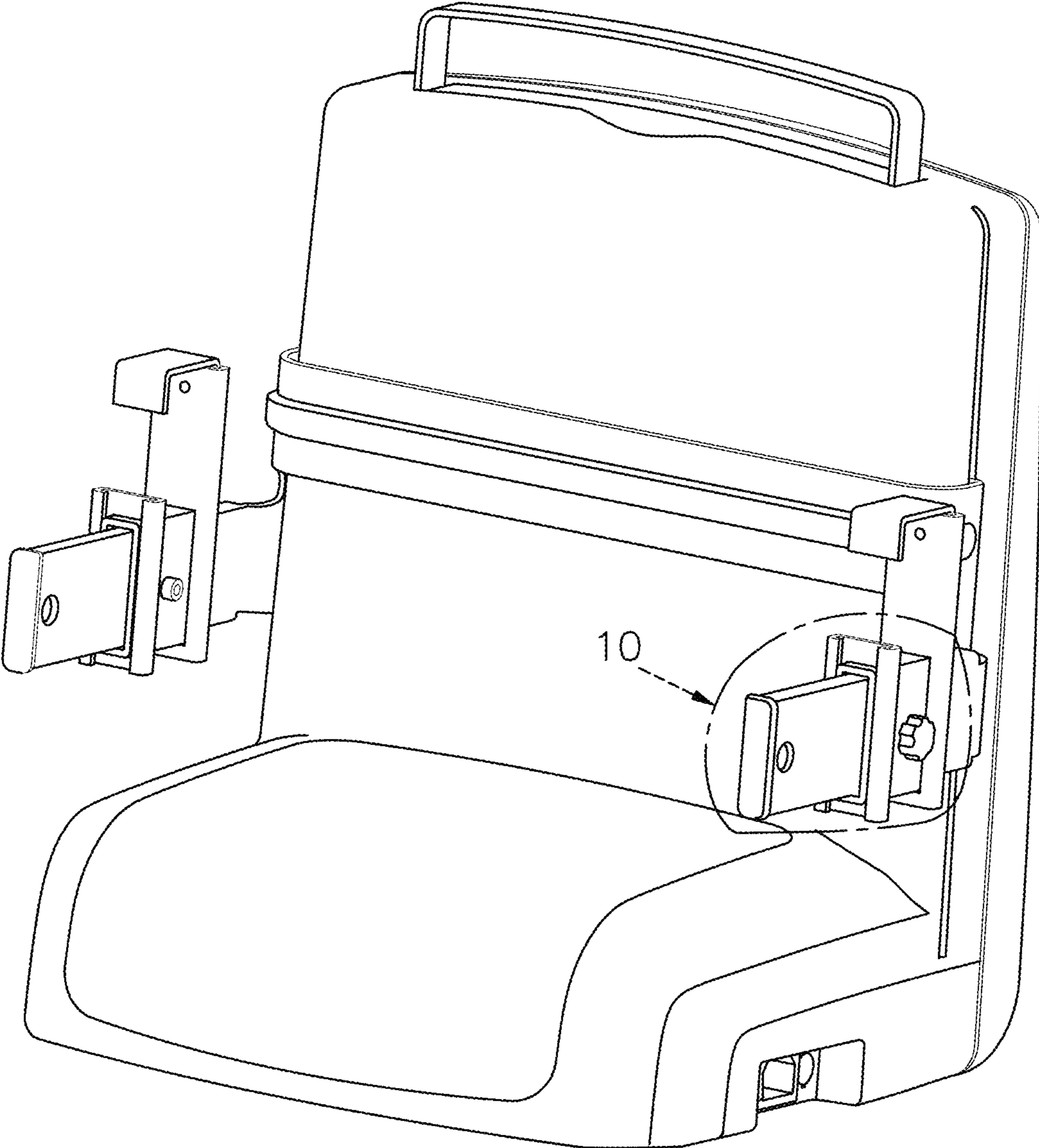


Fig. 9

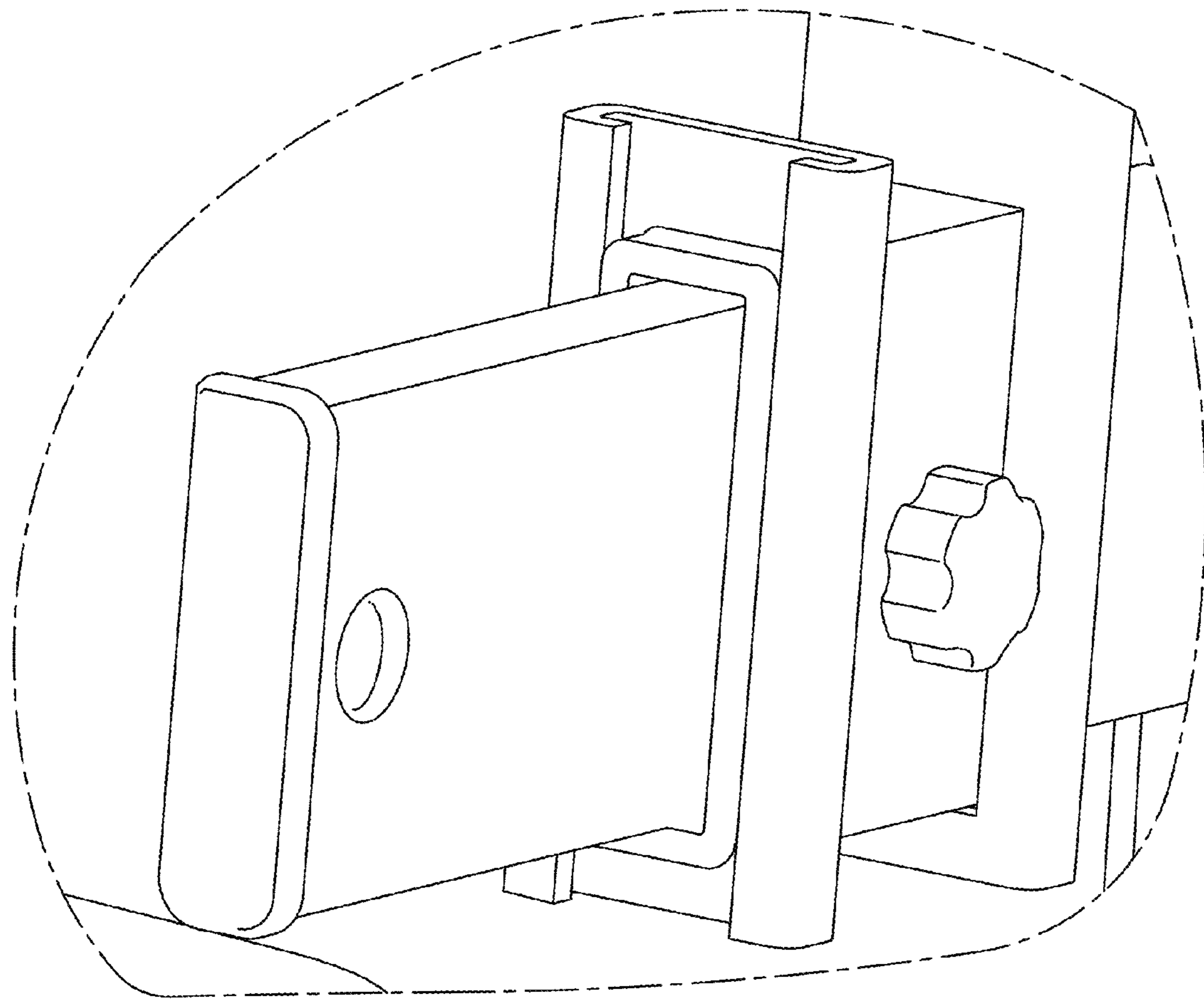


Fig. 10