



US00D743558S

(12) **United States Design Patent**
Kim et al.

(10) **Patent No.:** **US D743,558 S**

(45) **Date of Patent:** **** Nov. 17, 2015**

(54) **MEDICAL ULTRASOUND SYSTEM**

(75) Inventors: **Ki-Soo Kim**, Goonpo-Si (KR);
Chi-Young Ahn, Seoul (KR); **Sang-Min Hyun**, Seoul (KR); **Jong-Chan Kwon**,
Yongin-Si (KR)

(73) Assignee: **Samsung Electronics Co., Ltd.**,
Suwon-si (KR)

(**) Term: **14 Years**

(21) Appl. No.: **29/427,559**

(22) Filed: **Jul. 19, 2012**

(30) **Foreign Application Priority Data**

Feb. 3, 2012 (KR) 30-2012-0005240

(51) **LOC (10) Cl.** **24-01**

(52) **U.S. Cl.**
USPC **D24/186; D24/158**

(58) **Field of Classification Search**
USPC D24/158-161, 185, 186; 601/2;
600/437-461; 280/47.35
See application file for complete search history.

(56) **References Cited**

U.S. PATENT DOCUMENTS

D512,508 S *	12/2005	Mesaros	D24/185
D560,807 S *	1/2008	Kitayama et al.	D24/158
D571,011 S *	6/2008	Otoha et al.	D24/158
D613,866 S *	4/2010	Tanaka et al.	D24/185
D626,236 S *	10/2010	Ninomiya et al.	D24/185
D630,752 S *	1/2011	Suzuki	D24/158
D648,855 S *	11/2011	Smith et al.	D24/158
D650,482 S *	12/2011	Kim et al.	D24/158
D657,470 S *	4/2012	Schon et al.	D24/186
D662,208 S *	6/2012	Otoha et al.	D24/185

8,286,977 B2 *	10/2012	Butler et al.	280/47.35
D695,898 S *	12/2013	Chung et al.	D24/158
D699,852 S *	2/2014	Chung et al.	D24/158
D707,359 S *	6/2014	Kim	D24/185
D707,360 S *	6/2014	Kim et al.	D24/185
D711,539 S *	8/2014	Hunt et al.	D24/160
D712,540 S *	9/2014	Hansen et al.	D24/160
D713,035 S *	9/2014	Kim et al.	D24/160

* cited by examiner

Primary Examiner — T. Chase Nelson

Assistant Examiner — Mark Cavanna

(74) *Attorney, Agent, or Firm* — NSIP Law

(57) **CLAIM**

The ornamental design for a medical ultrasound system, as shown and described.

DESCRIPTION

FIG. 1 is a front perspective view of a medical ultrasound system;

FIG. 2 is a front view of the medical ultrasound system of FIG. 1;

FIG. 3 is a rear view of the medical ultrasound system of FIG. 1;

FIG. 4 is a left-side view of the medical ultrasound system of FIG. 1;

FIG. 5 is a right-side view of the medical ultrasound system of FIG. 1;

FIG. 6 is a top plan view of the medical ultrasound system of FIG. 1 with the broken line depiction of two hook structures removed for clarity of illustration; and,

FIG. 7 is a bottom plan view of the medical ultrasound system of FIG. 1.

Features shown in broken lines in FIGS. 1, 2, 3, 4, 5, 6, and 7 form no part of the claimed design.

1 Claim, 7 Drawing Sheets

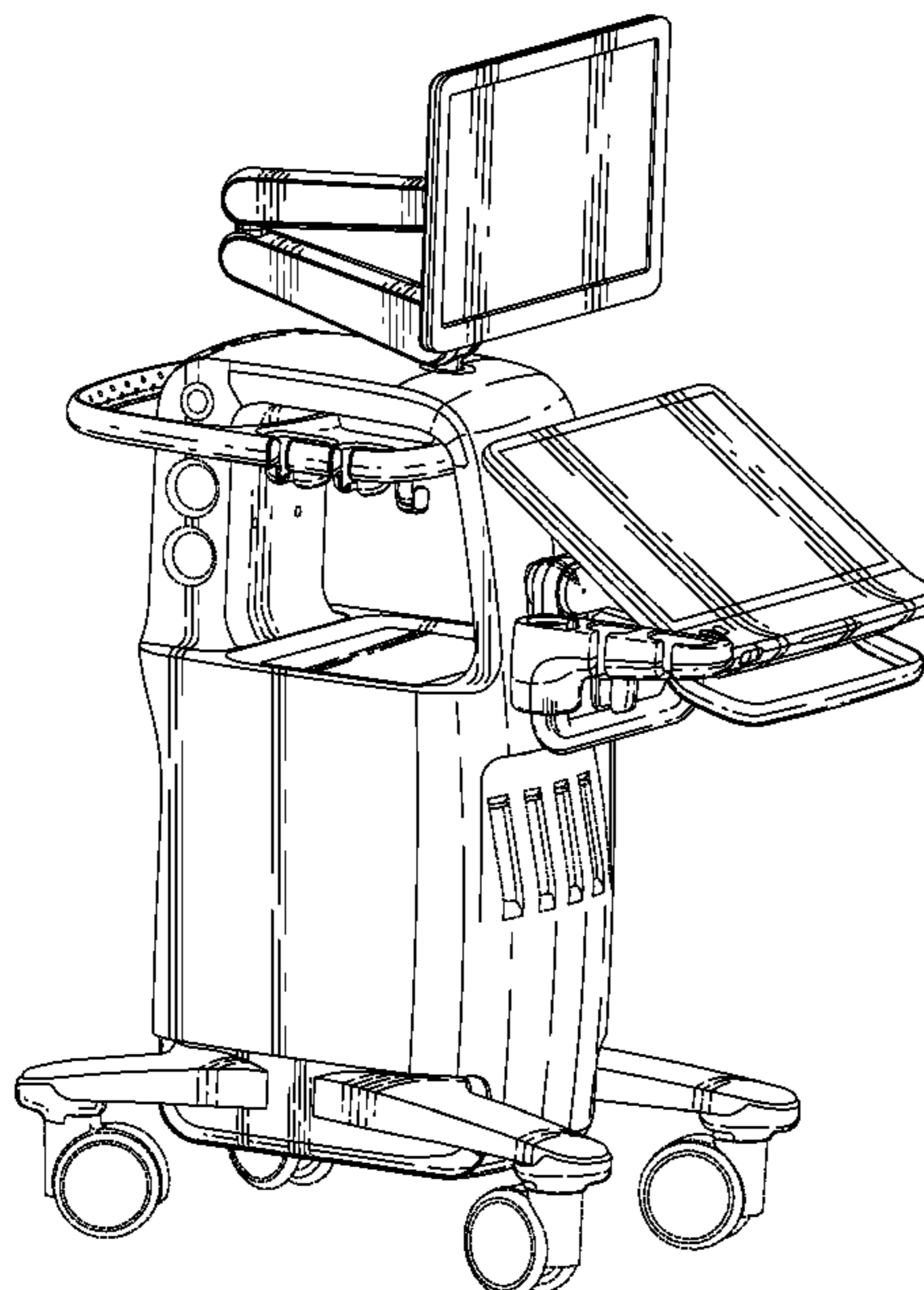


FIG. 1

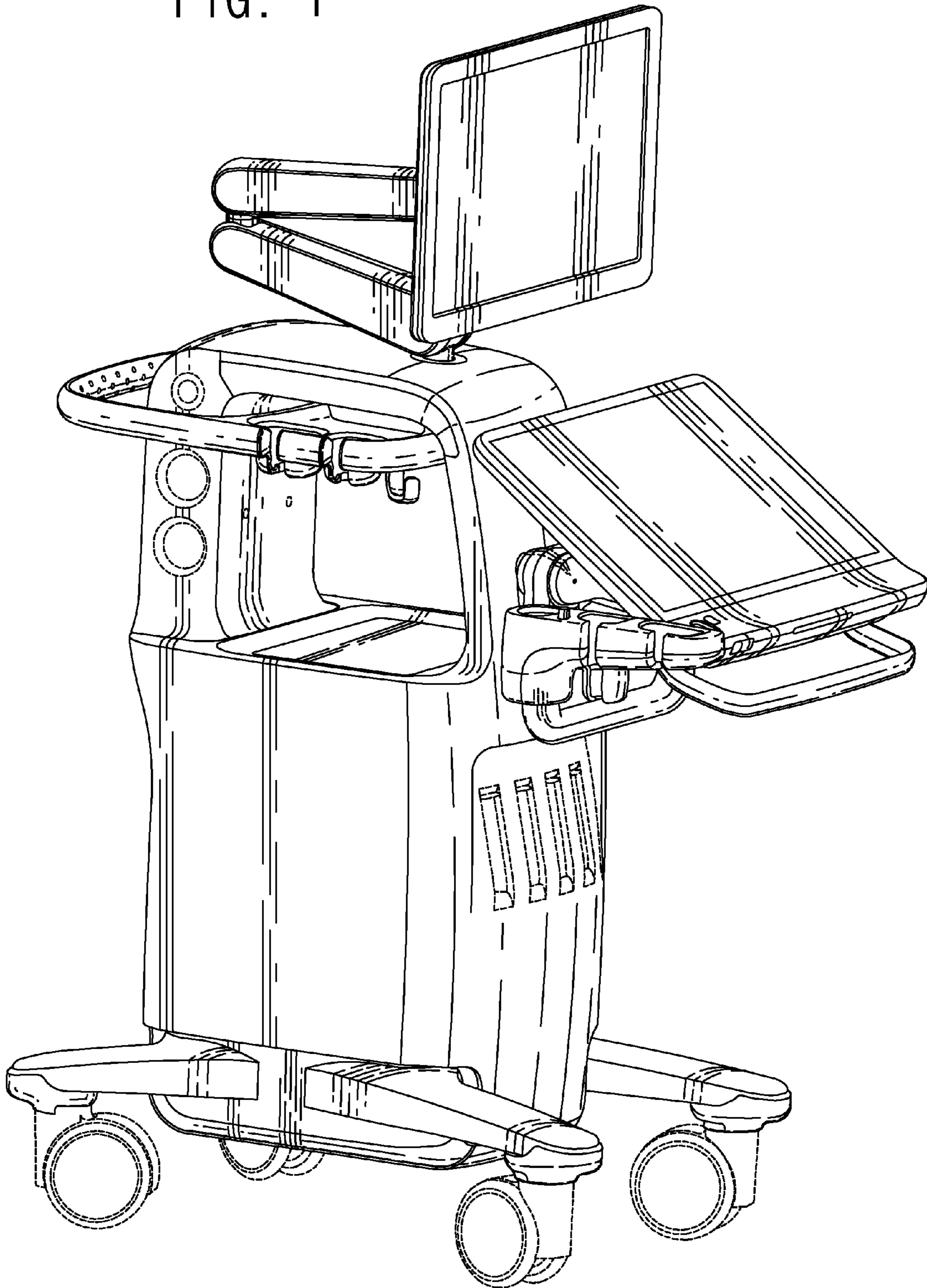


FIG. 2

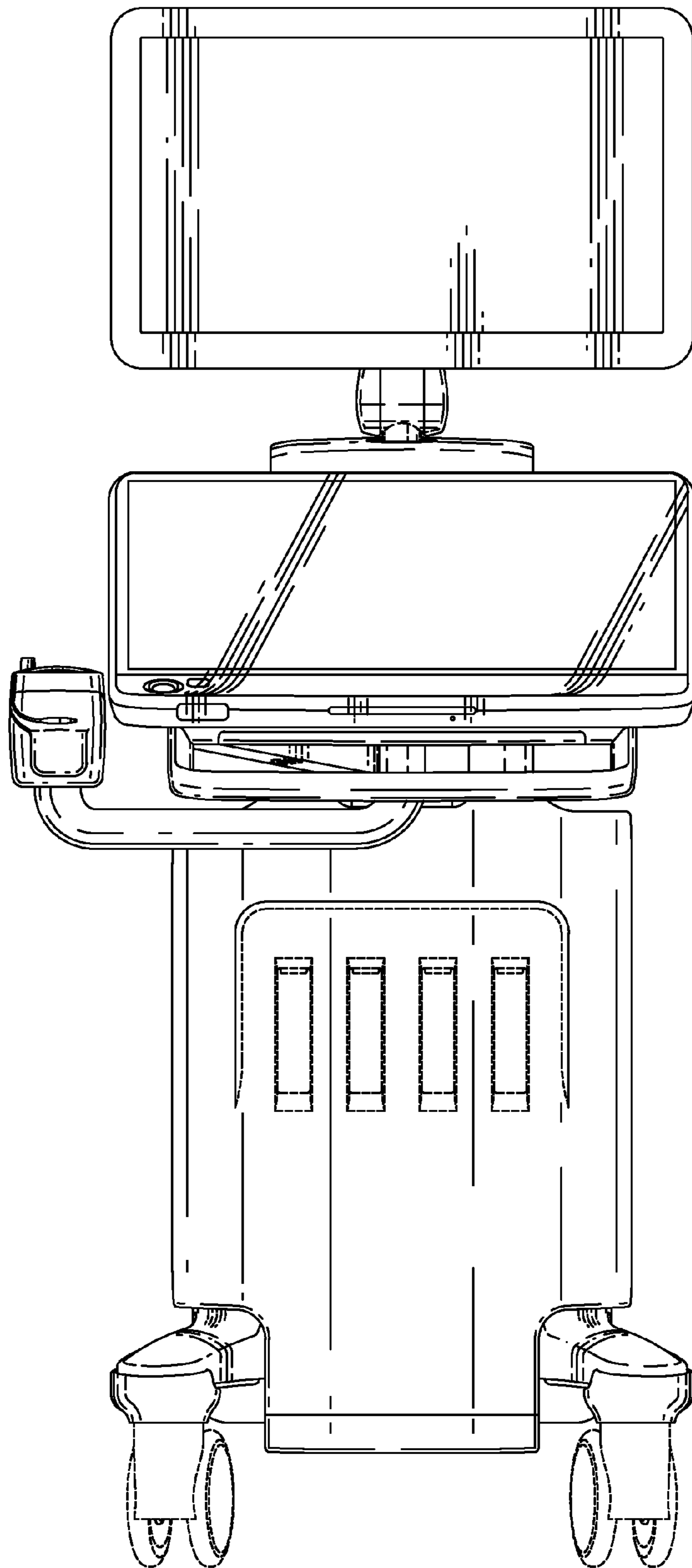


FIG. 3

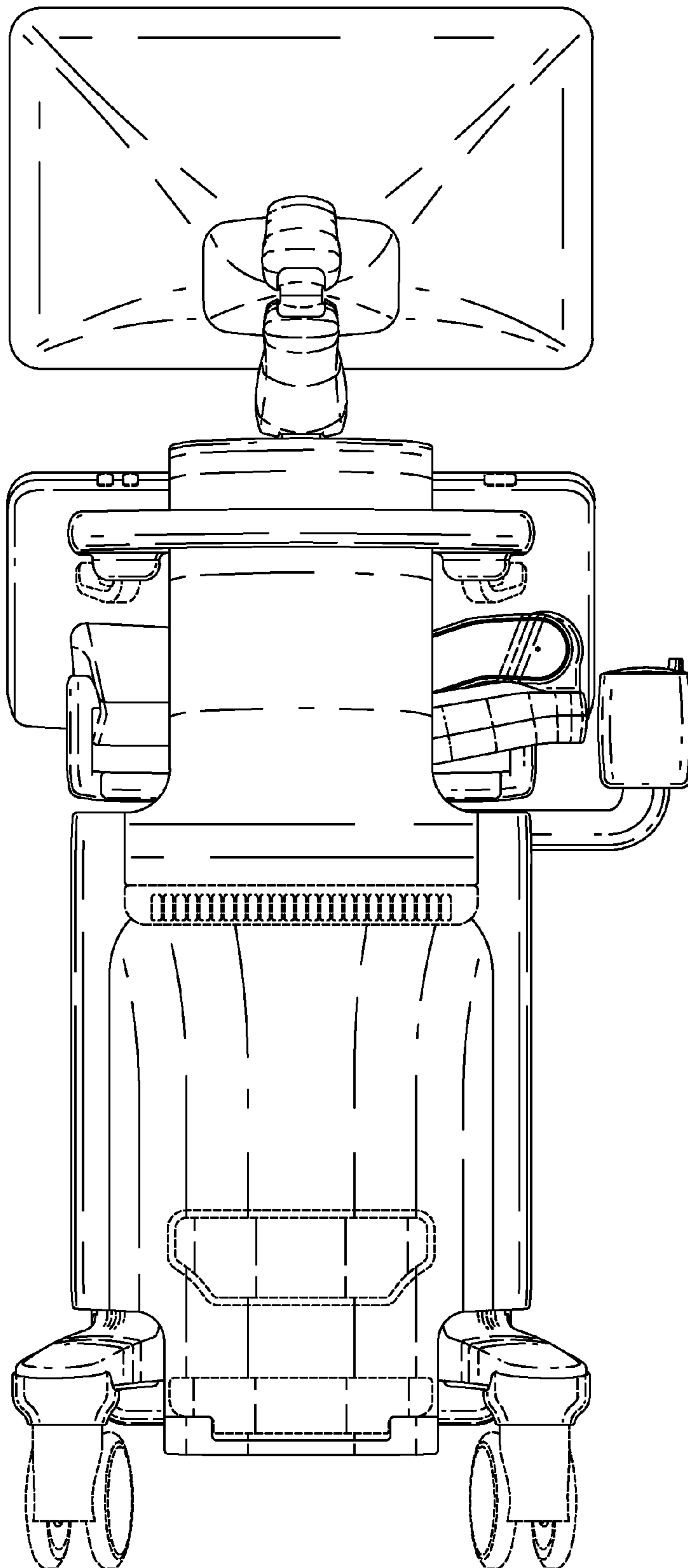


FIG. 4

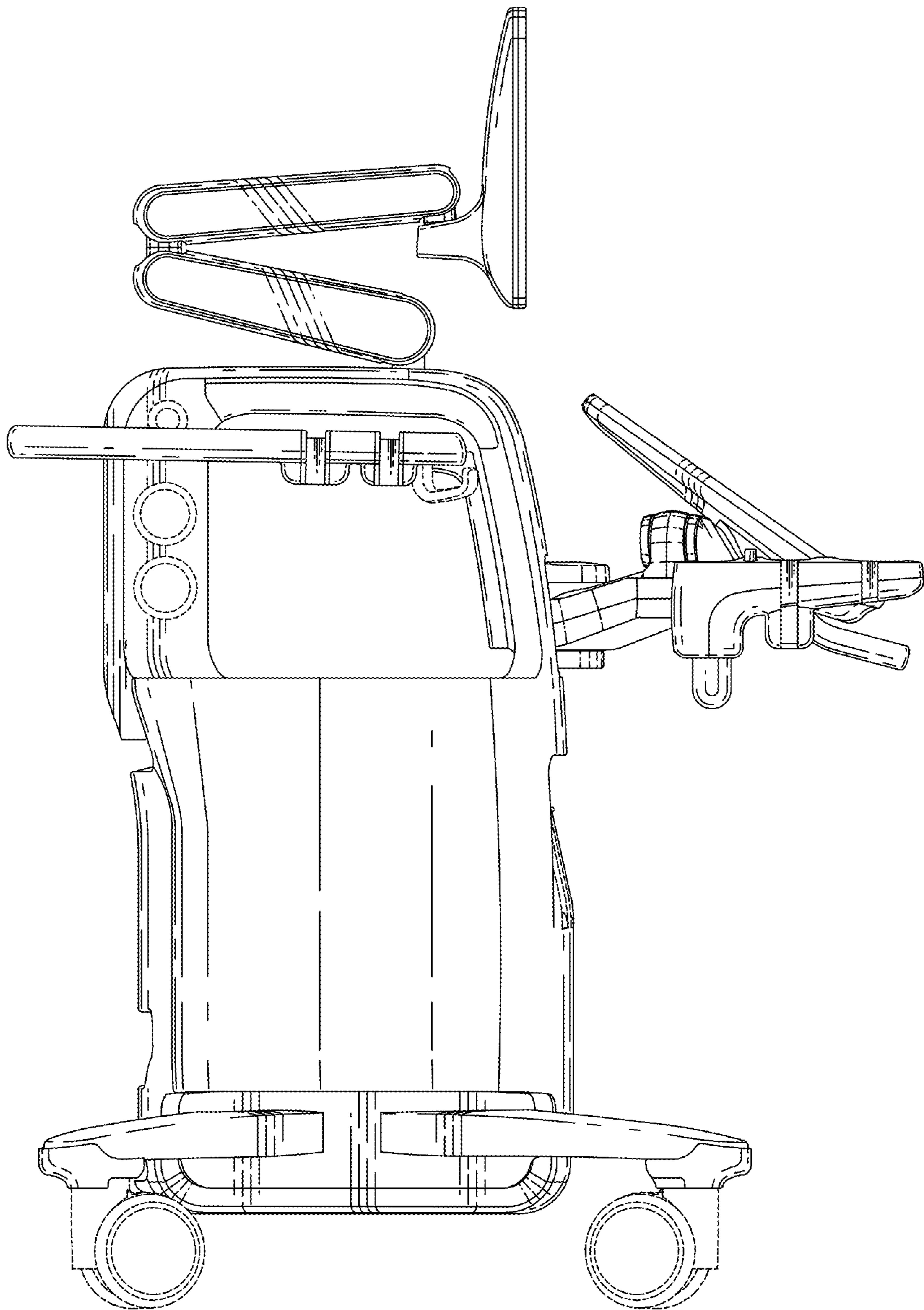


FIG. 5

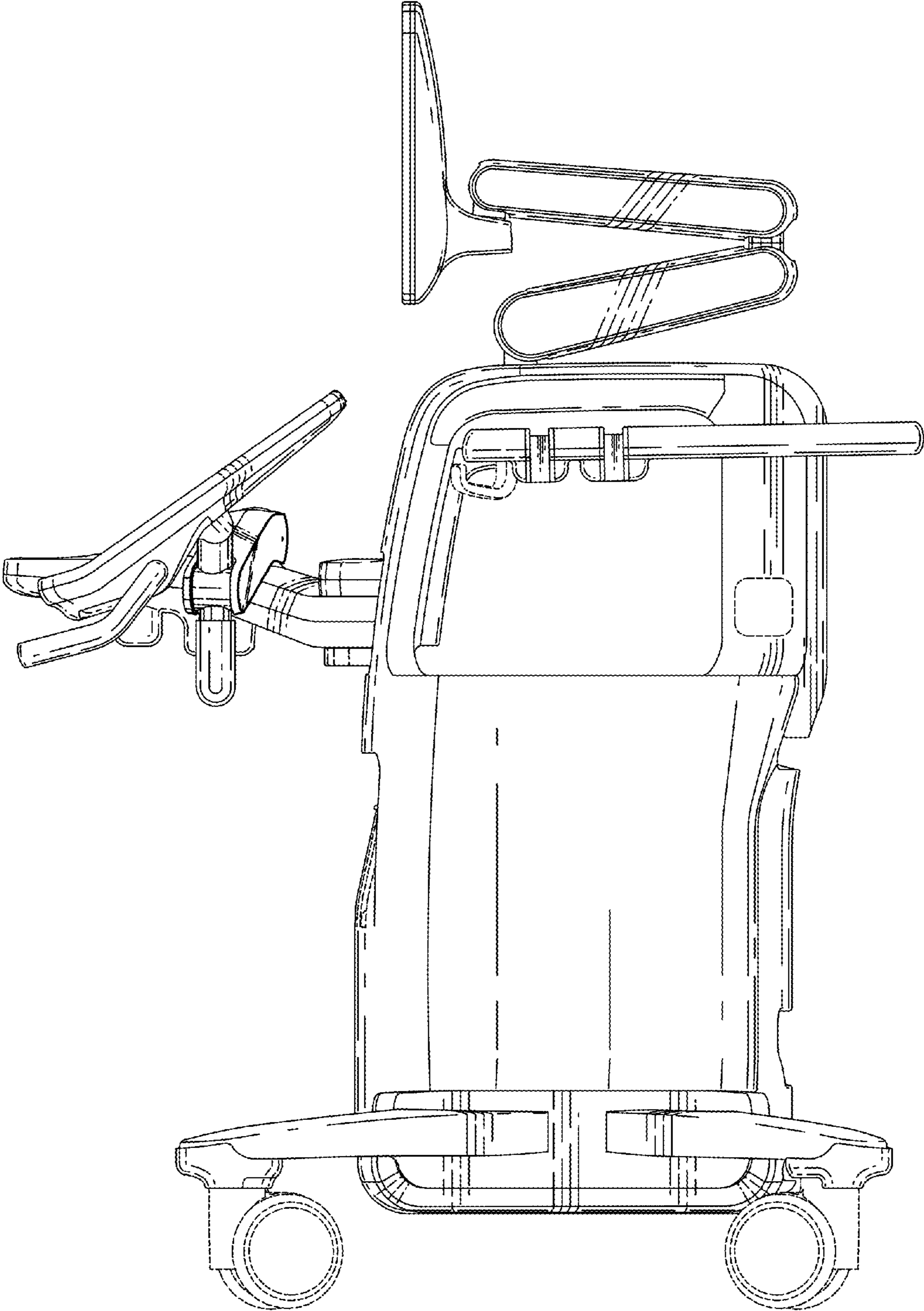


FIG. 6

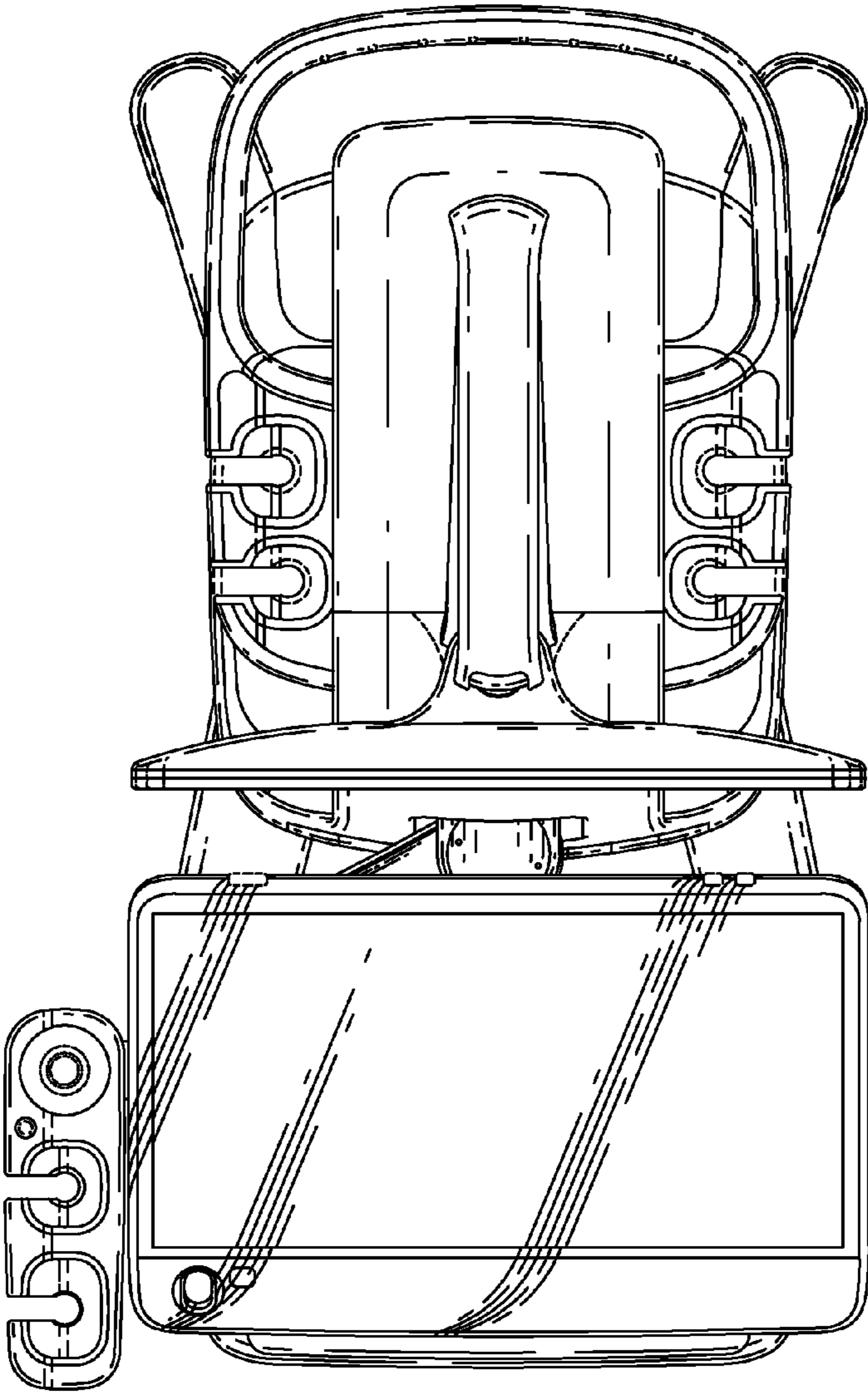


FIG. 7

