



US00D743557S

(12) **United States Design Patent**
Pichette

(10) **Patent No.:** **US D743,557 S**

(45) **Date of Patent:** **** Nov. 17, 2015**

- (54) **PERINEAL POST PAD FOR HIP ARTHROSCOPY**
- (71) Applicant: **Timothy Kelley Pichette**, Mars, PA (US)
- (72) Inventor: **Timothy Kelley Pichette**, Mars, PA (US)
- (**) Term: **14 Years**
- (21) Appl. No.: **29/498,072**
- (22) Filed: **Jul. 31, 2014**
- (51) **LOC (10) Cl.** **24-01**
- (52) **U.S. Cl.**
USPC **D24/184**
- (58) **Field of Classification Search**
USPC D24/183, 184, 200, 127, 171, 185, 158;
D6/418, 366, 601; 5/636, 640, 632,
5/622, 623; 128/845, 846, 869, 849;
602/16; 248/118.1, 118.3, 230.2, 118,
248/118.5, 279.1, 125.9; D12/421
CPC A47C 7/383; A47C 7/38; A47C 16/00;
A47G 9/1081; A47G 9/10; A47G 9/1009;
A61G 13/12; A61G 13/121; A61G 7/072;
A61G 13/1215; A41D 13/0512
See application file for complete search history.

- 6,578,218 B2 * 6/2003 Wassilefsky A61G 7/0755
5/630
- D482,791 S * 11/2003 Moses D24/183
- D613,987 S * 4/2010 Heeter D6/601
- 2010/0043147 A1 * 2/2010 Popp A47D 13/083
5/636
- 2010/0275378 A1 * 11/2010 Xiao A47G 9/1045
5/639

* cited by examiner

Primary Examiner — Zenia Bennett

(74) *Attorney, Agent, or Firm* — Michael A. Blake

(57) **CLAIM**

The ornamental design for a perineal post pad for hip arthroscopy, as shown and described.

DESCRIPTION

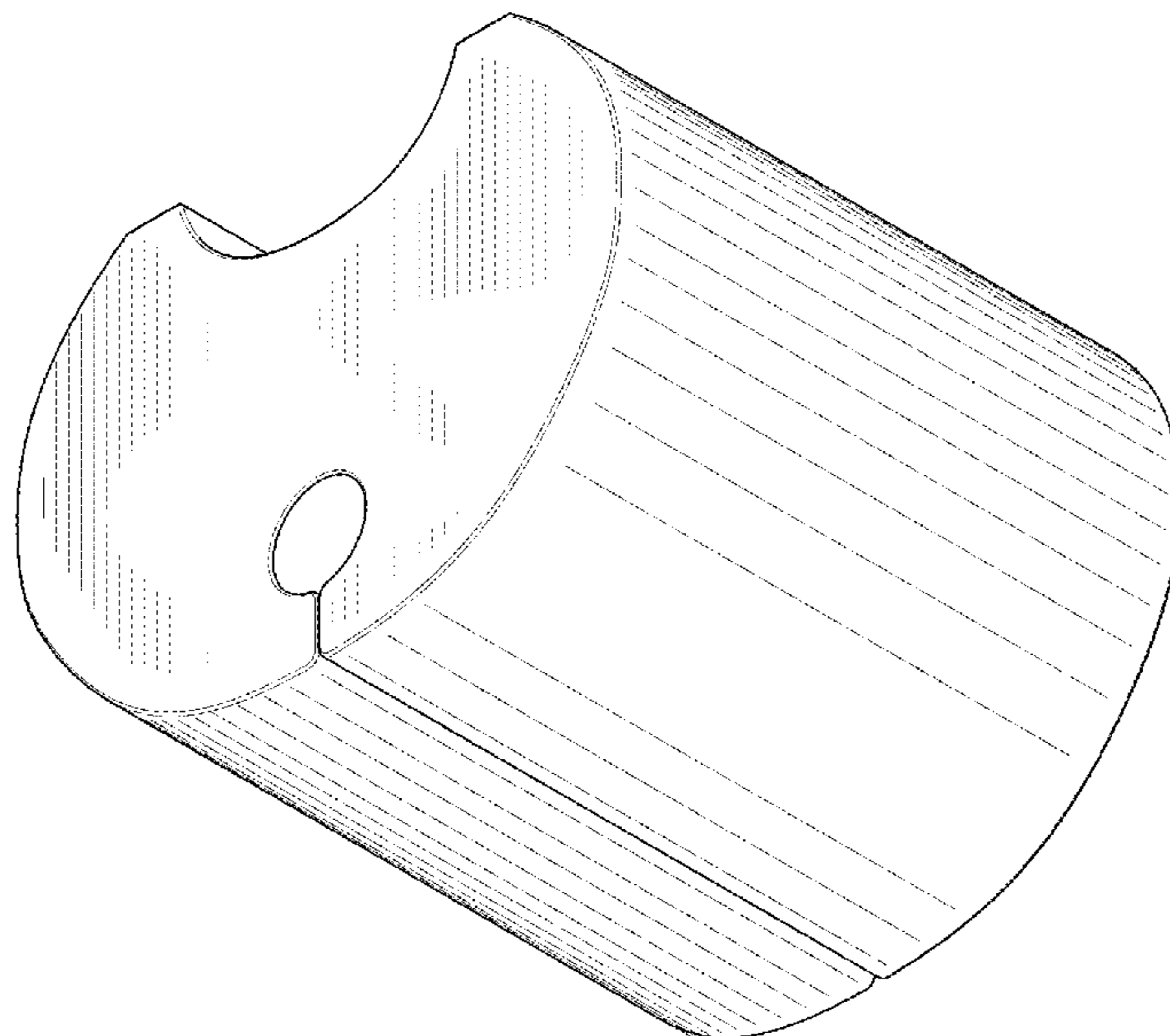
FIG. 1 is a perspective view of the perineal post pad for hip arthroscopy;
 FIG. 2 is a top view of the perineal post pad for hip arthroscopy;
 FIG. 3 is a side view of the perineal post pad for hip arthroscopy;
 FIG. 4 is a front view of the perineal post pad for hip arthroscopy;
 FIG. 5 is a rear view of the perineal post pad for hip arthroscopy; and,
 FIG. 6 is a perspective view of the perineal post pad for hip arthroscopy inserted between the legs of a patient about to have an arthroscopic procedure.
 The broken lines in FIG. 6 representing the patient and operating table, show the design as being used, and form no part of the claimed design.

1 Claim, 4 Drawing Sheets

(56) **References Cited**

U.S. PATENT DOCUMENTS

- D321,562 S * 11/1991 Ljungvall 5/646
- D395,086 S * 6/1998 Reynolds, III D24/183
- 6,182,314 B1 * 2/2001 Frydman A47C 20/021
128/845
- 6,490,742 B2 * 12/2002 Hall A61G 7/075
128/845



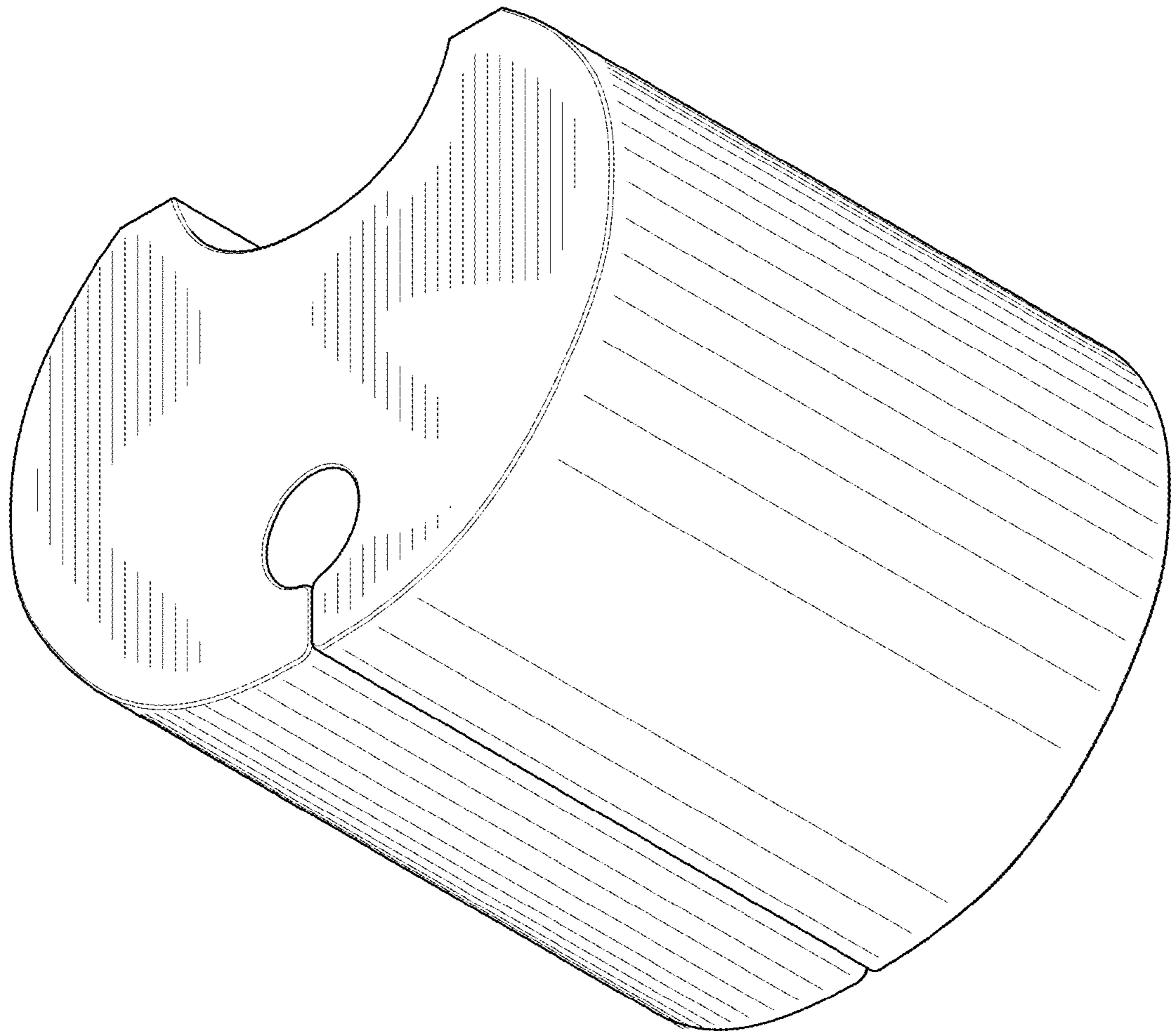


FIG. 1

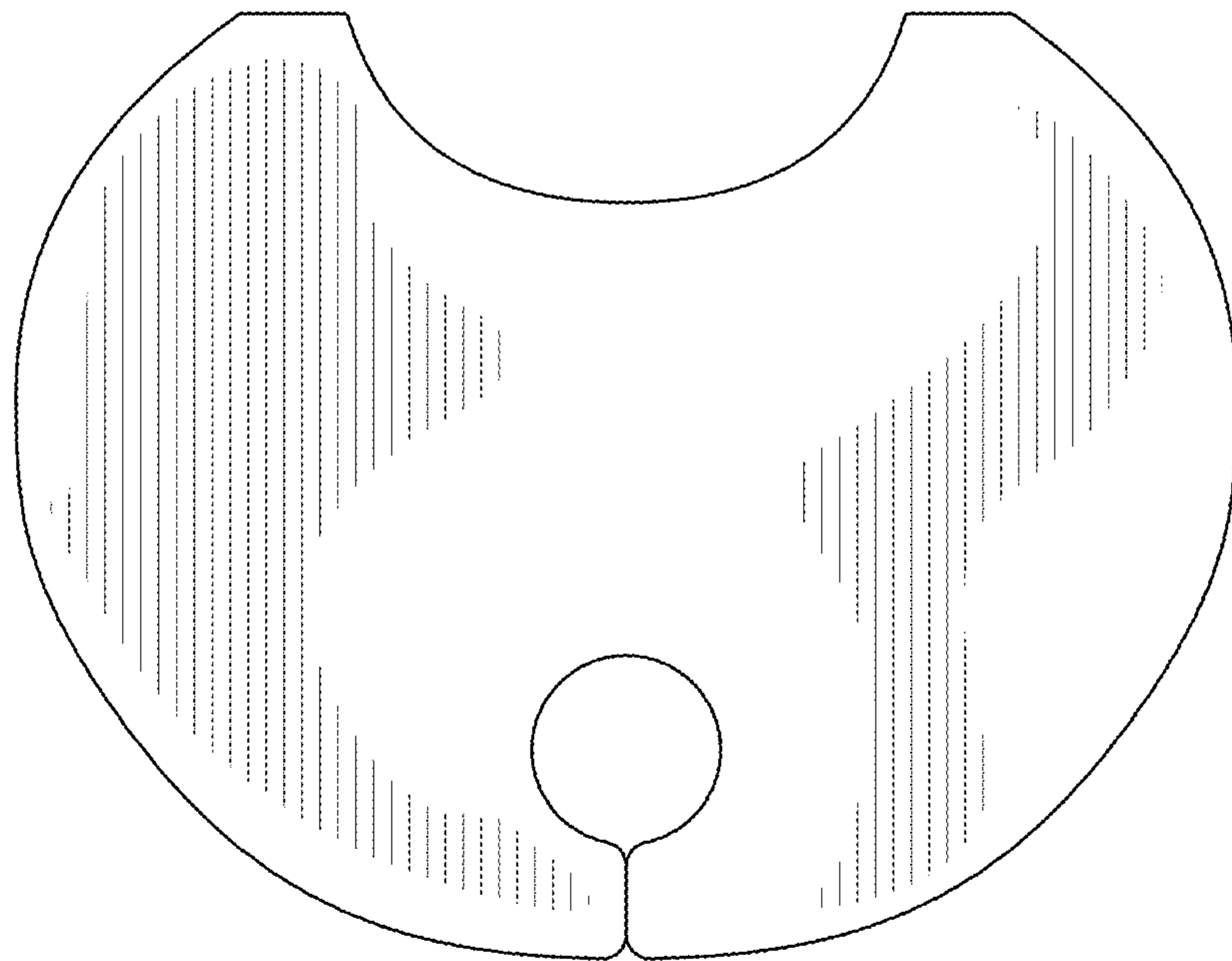


FIG. 2

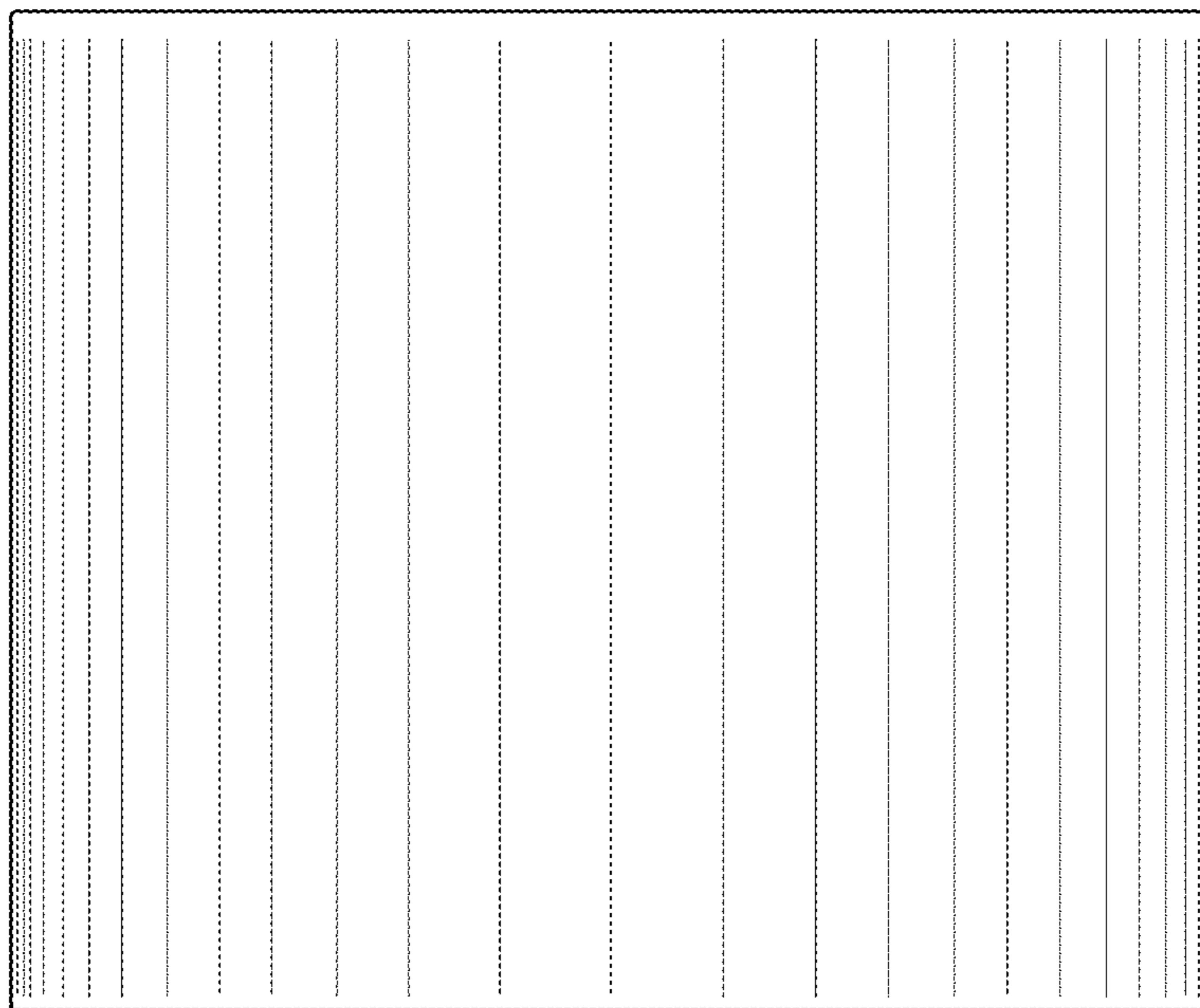


FIG. 3

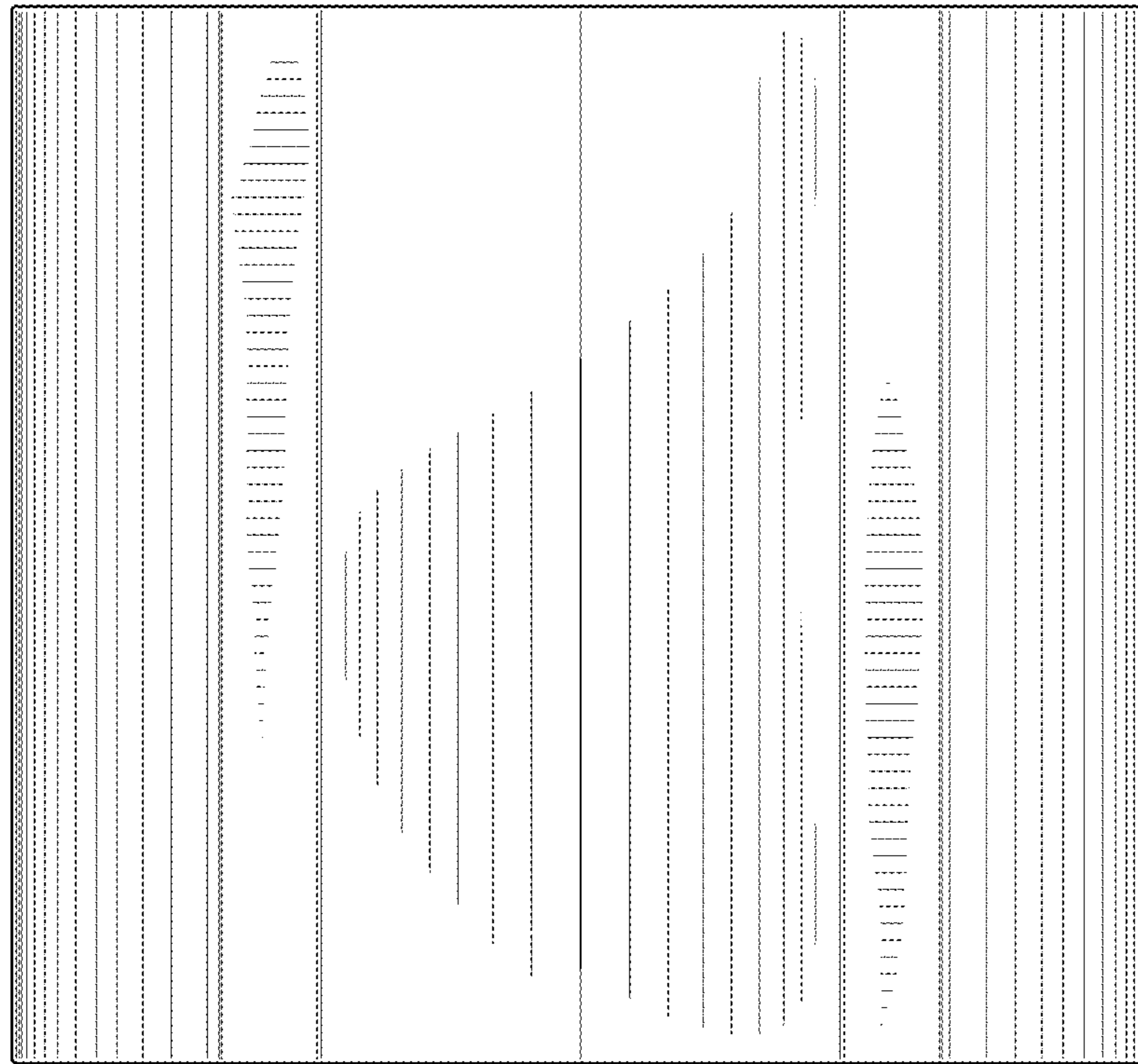


FIG. 4

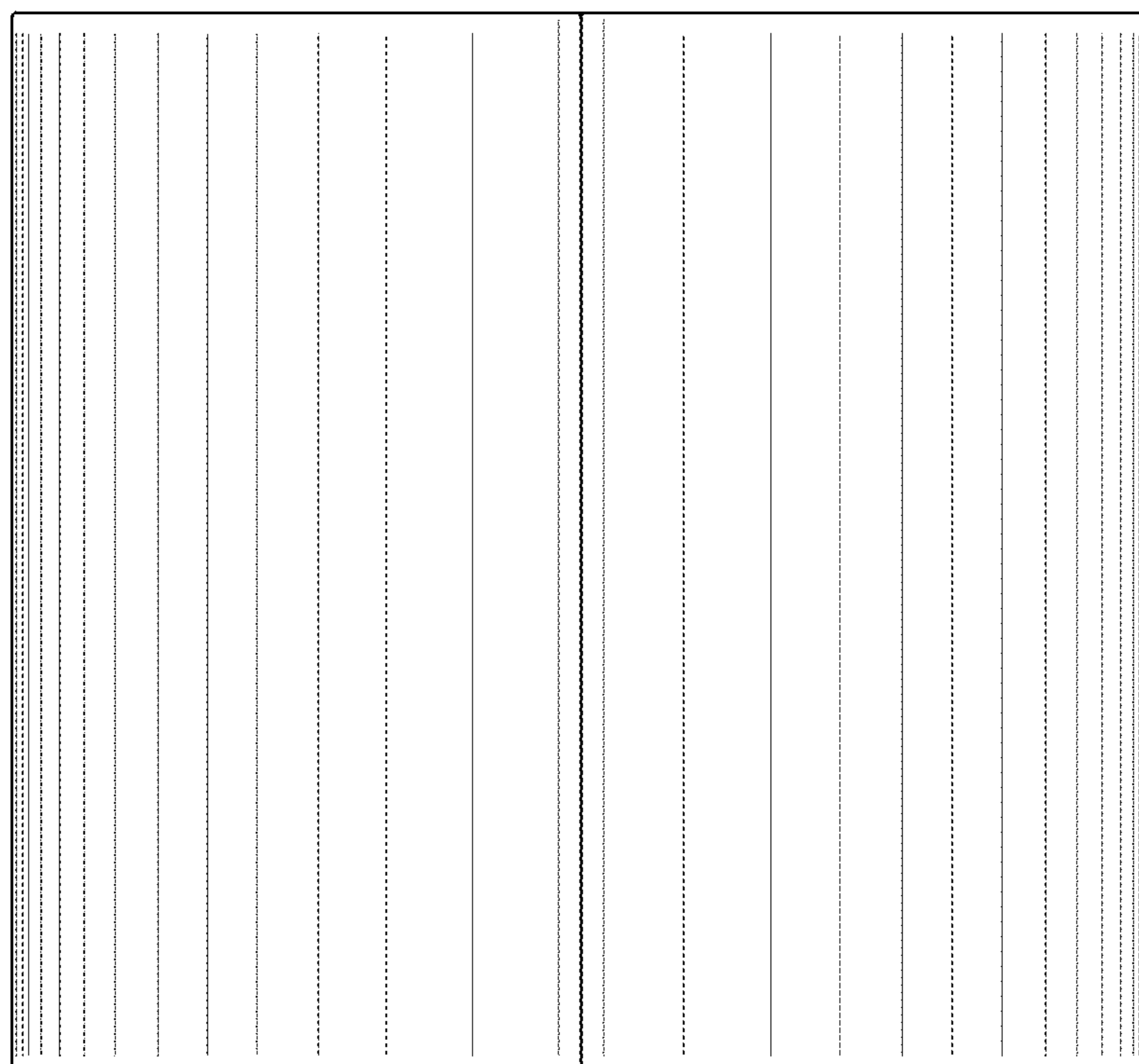


FIG. 5

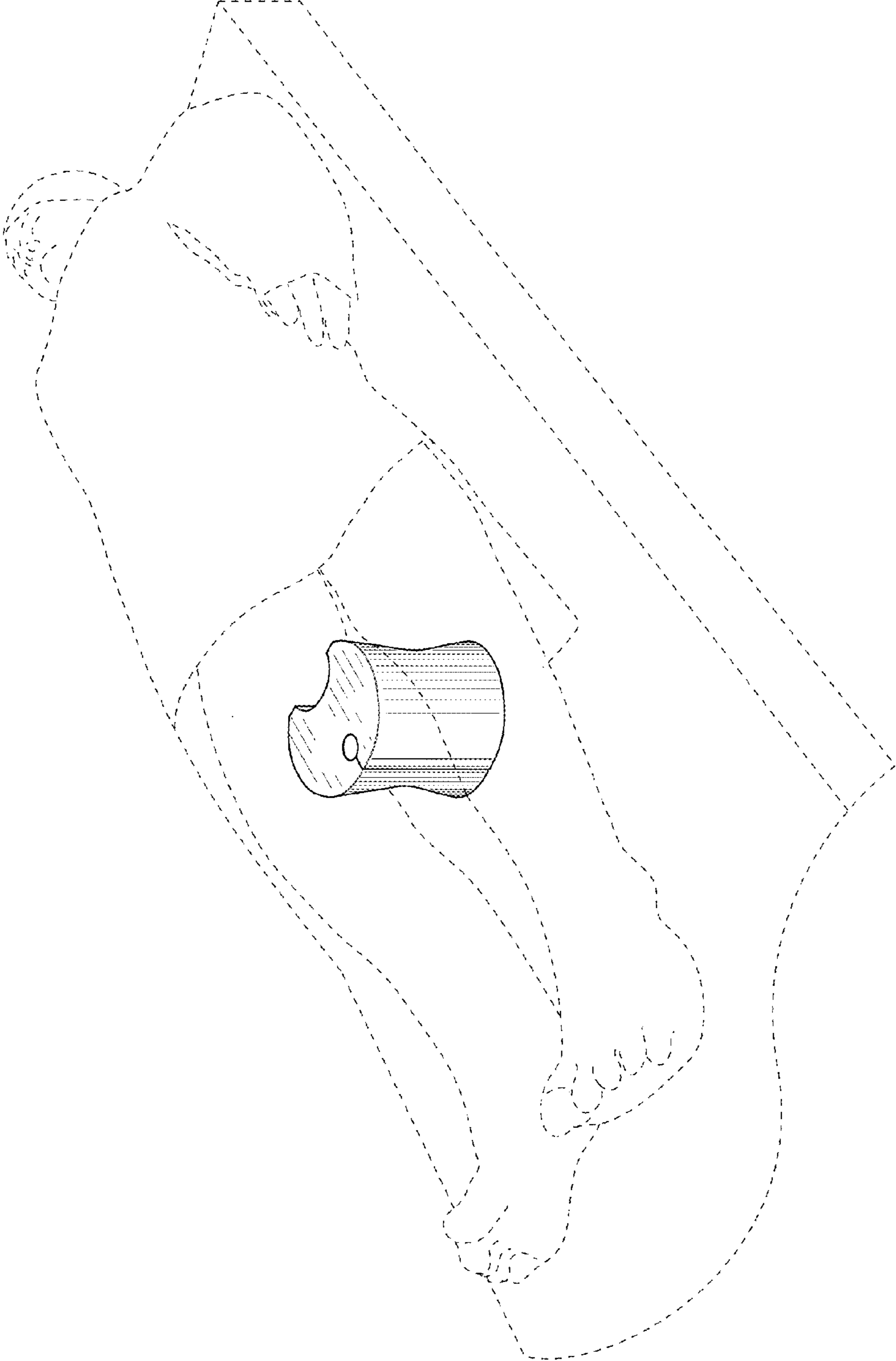


FIG.6