



US00D743555S

(12) **United States Design Patent**
Hasebe

(10) **Patent No.:** **US D743,555 S**

(45) **Date of Patent:** **** Nov. 17, 2015**

(54) **PHOTOGRAPHIC PLATFORM FOR
MEDICAL DIAGNOSIS**

(71) Applicant: **SHIMADZU CORPORATION**, Kyoto
(JP)

(72) Inventor: **Shinya Hasebe**, Osaka (JP)

(73) Assignee: **SHIMADZU CORPORATION**, Kyoto
(JP)

(**) Term: **14 Years**

(21) Appl. No.: **29/515,627**

(22) Filed: **Jan. 26, 2015**

(30) **Foreign Application Priority Data**

Nov. 28, 2014 (JP) 2014-026545

(51) **LOC (10) Cl.** **24-01**

(52) **U.S. Cl.**
USPC **D24/159**

(58) **Field of Classification Search**
USPC D24/158-161, 183-185; D6/691.4;
378/4, 21-27, 38, 40, 62, 68, 102,
378/196-198, 209; 600/410, 422; 5/601,
5/607, 608

CPC . A61B 6/0407; A61B 6/0457; A61G 2210/50
See application file for complete search history.

(56) **References Cited**

U.S. PATENT DOCUMENTS

D441,868	S	*	5/2001	Santiago et al.	D24/183
6,334,708	B1	*	1/2002	Kosugi	378/197
D462,445	S	*	9/2002	Barde et al.	D24/183
6,505,364	B2	*	1/2003	Simmons et al.	5/600
D527,459	S	*	8/2006	Gireesh	D24/183
D630,330	S	*	1/2011	Baba	D24/159
D681,208	S	*	4/2013	Ninomiya et al.	D24/159
D726,319	S	*	4/2015	Sul et al.	D24/159
D735,864	S	*	8/2015	Doerre et al.	D24/159
2008/0279331	A1	*	11/2008	Huang	378/68
2009/0086930	A1	*	4/2009	Xu et al.	378/209
2014/0053333	A1	*	2/2014	Krieg et al.	5/601

* cited by examiner

Primary Examiner — Anhdao Doan

(74) *Attorney, Agent, or Firm* — Jianq Chyun IP Office

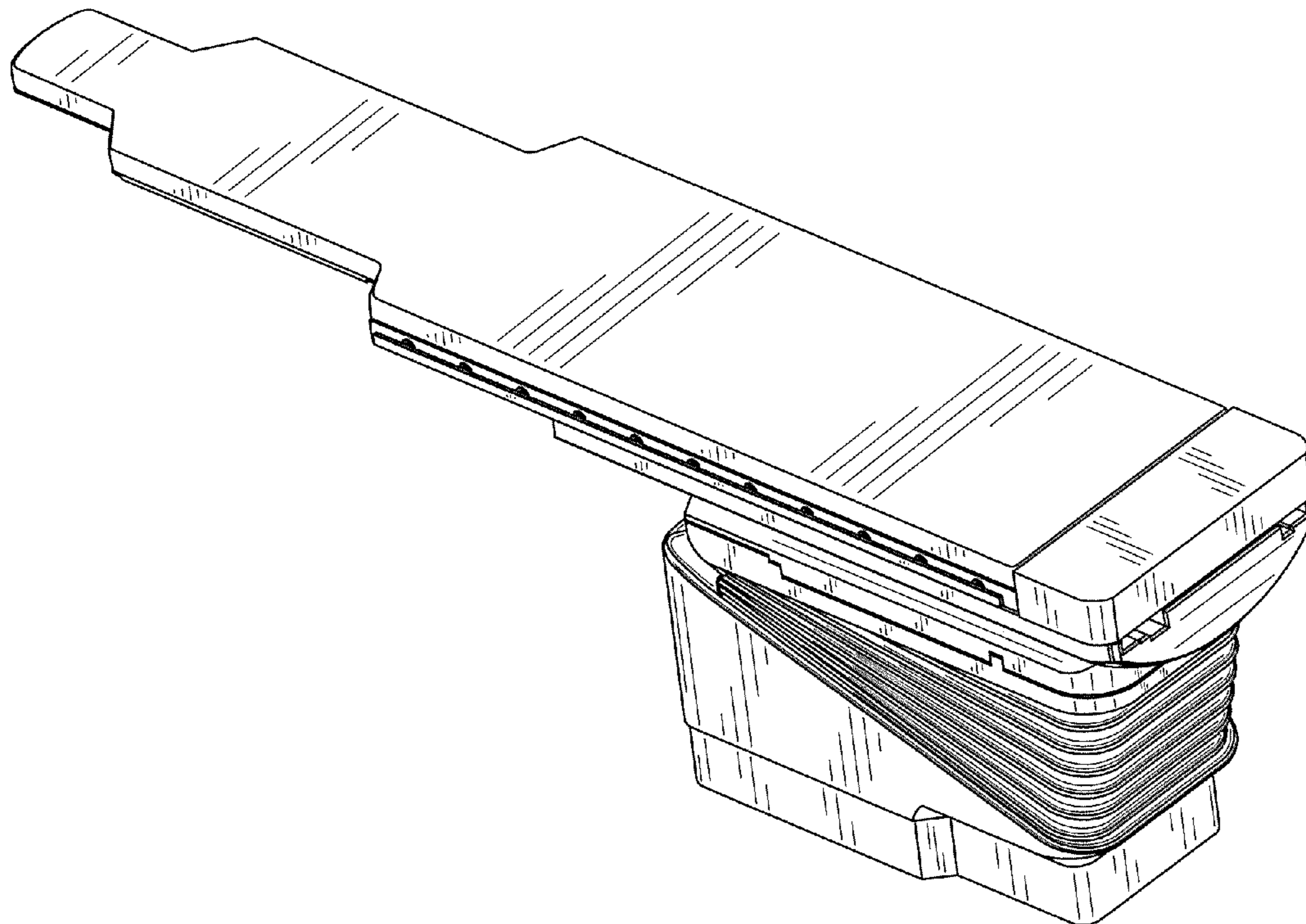
(57) **CLAIM**

The ornamental design for a photographic platform for medical diagnosis, as shown and described.

DESCRIPTION

FIG. 1 is a perspective view of a photographic platform for medical diagnosis showing my new design;
FIG. 2 is another perspective view thereof;
FIG. 3 is a front view thereof;
FIG. 4 is a rear view thereof;
FIG. 5 is a left side view thereof;
FIG. 6 is a right side view thereof;
FIG. 7 is a top view thereof; and,
FIG. 8 is a bottom view thereof.

1 Claim, 5 Drawing Sheets



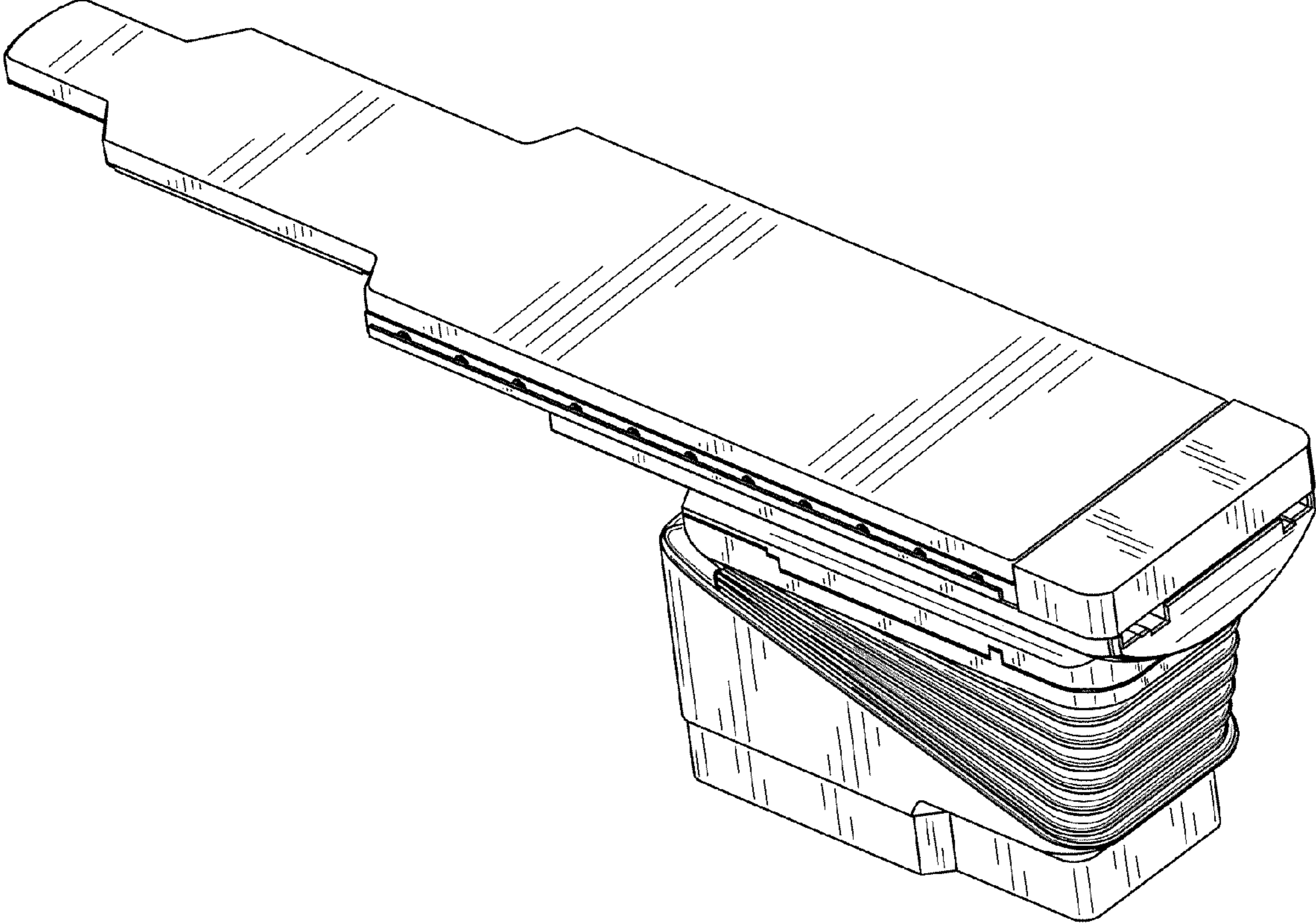


FIG. 1

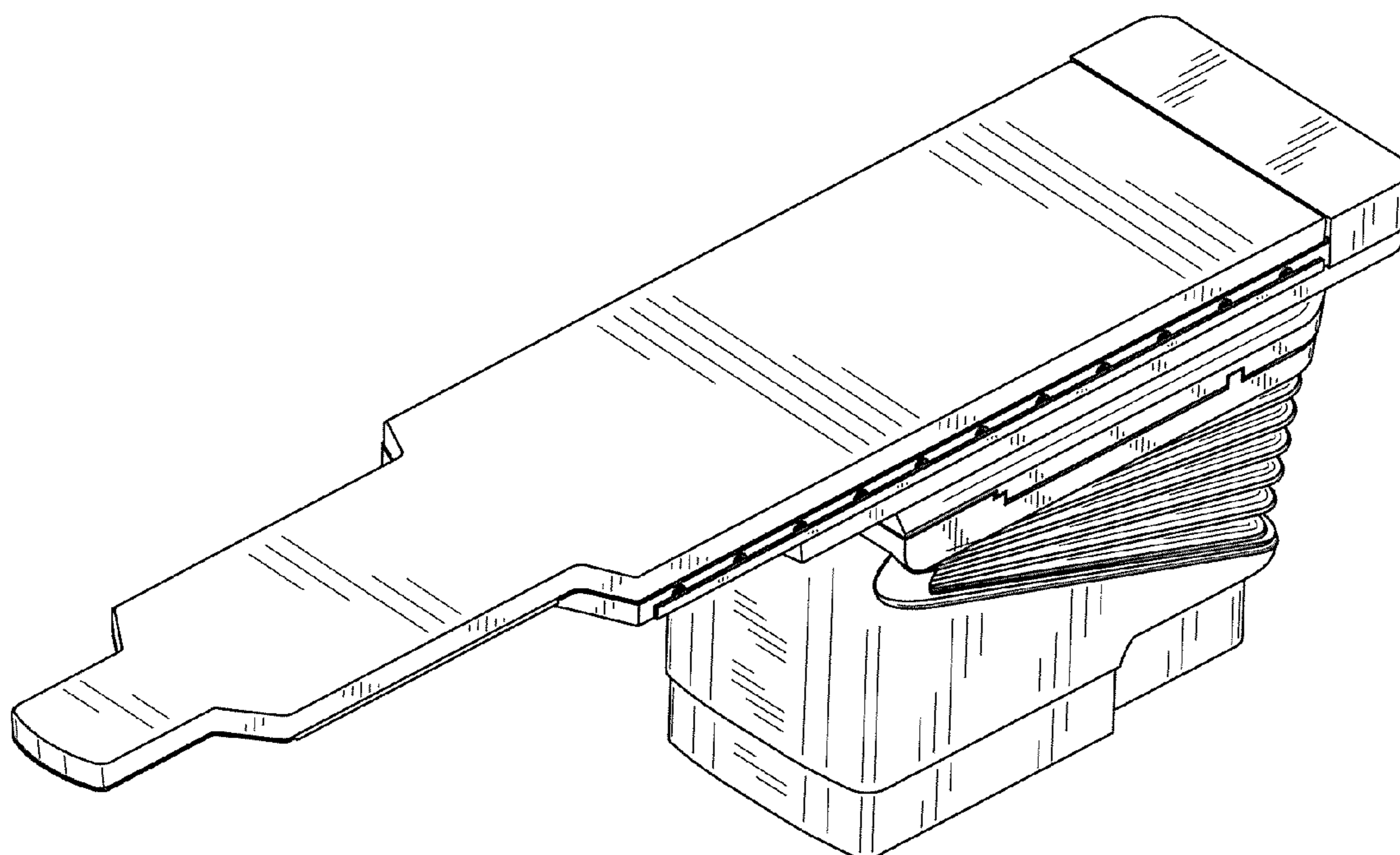


FIG. 2

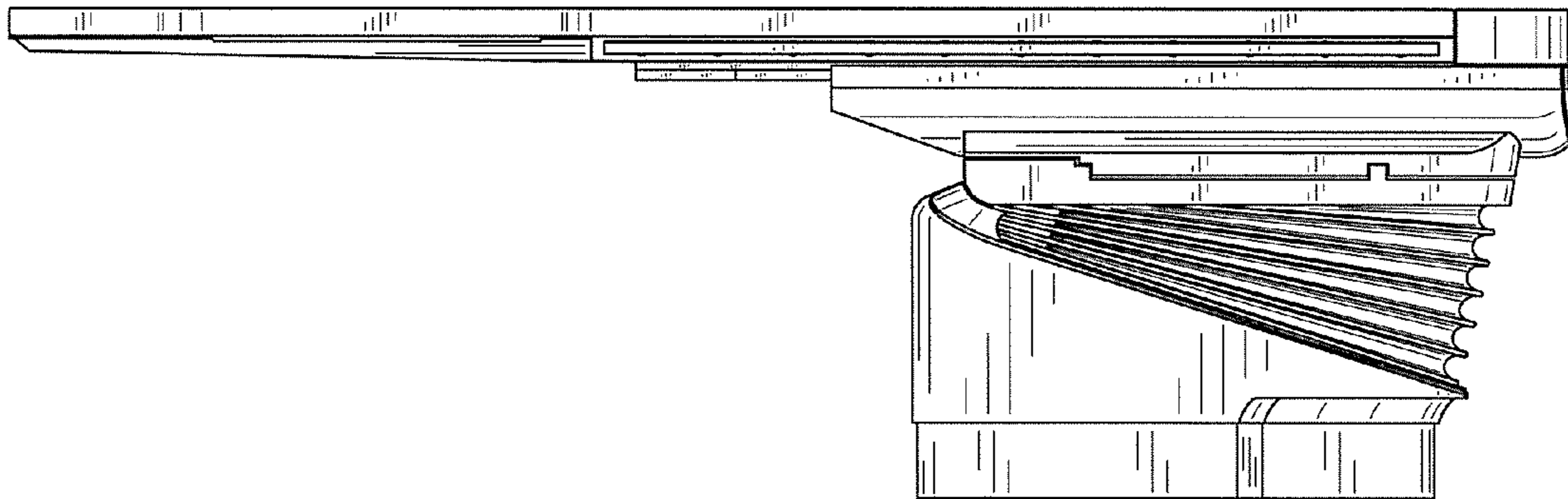


FIG. 3

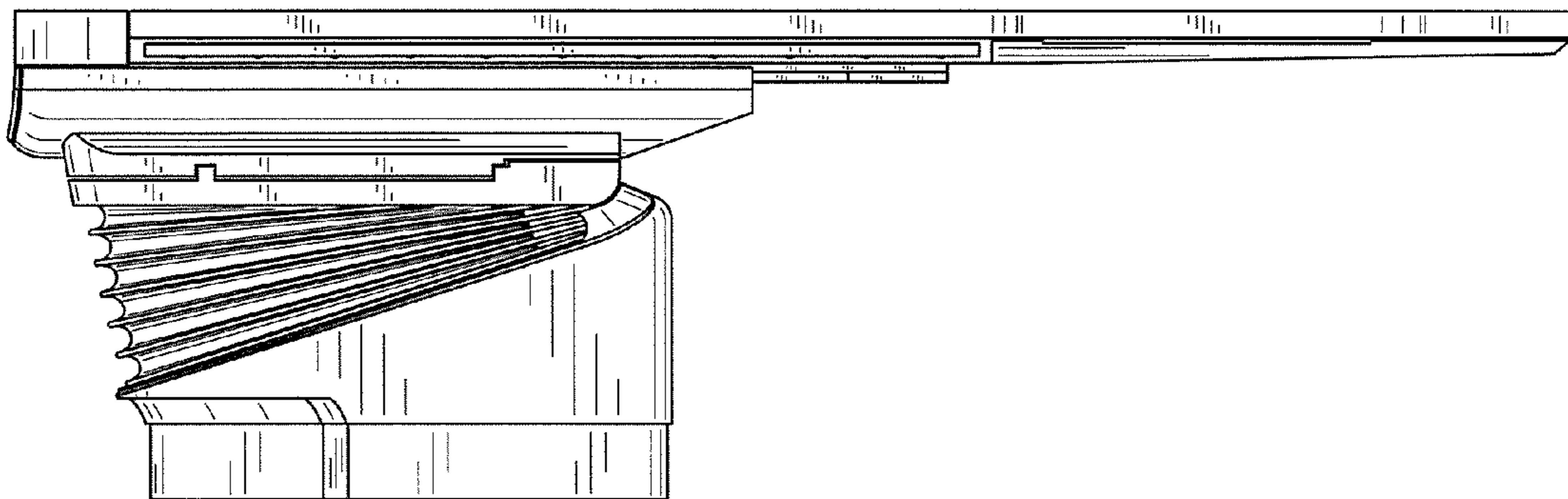


FIG. 4

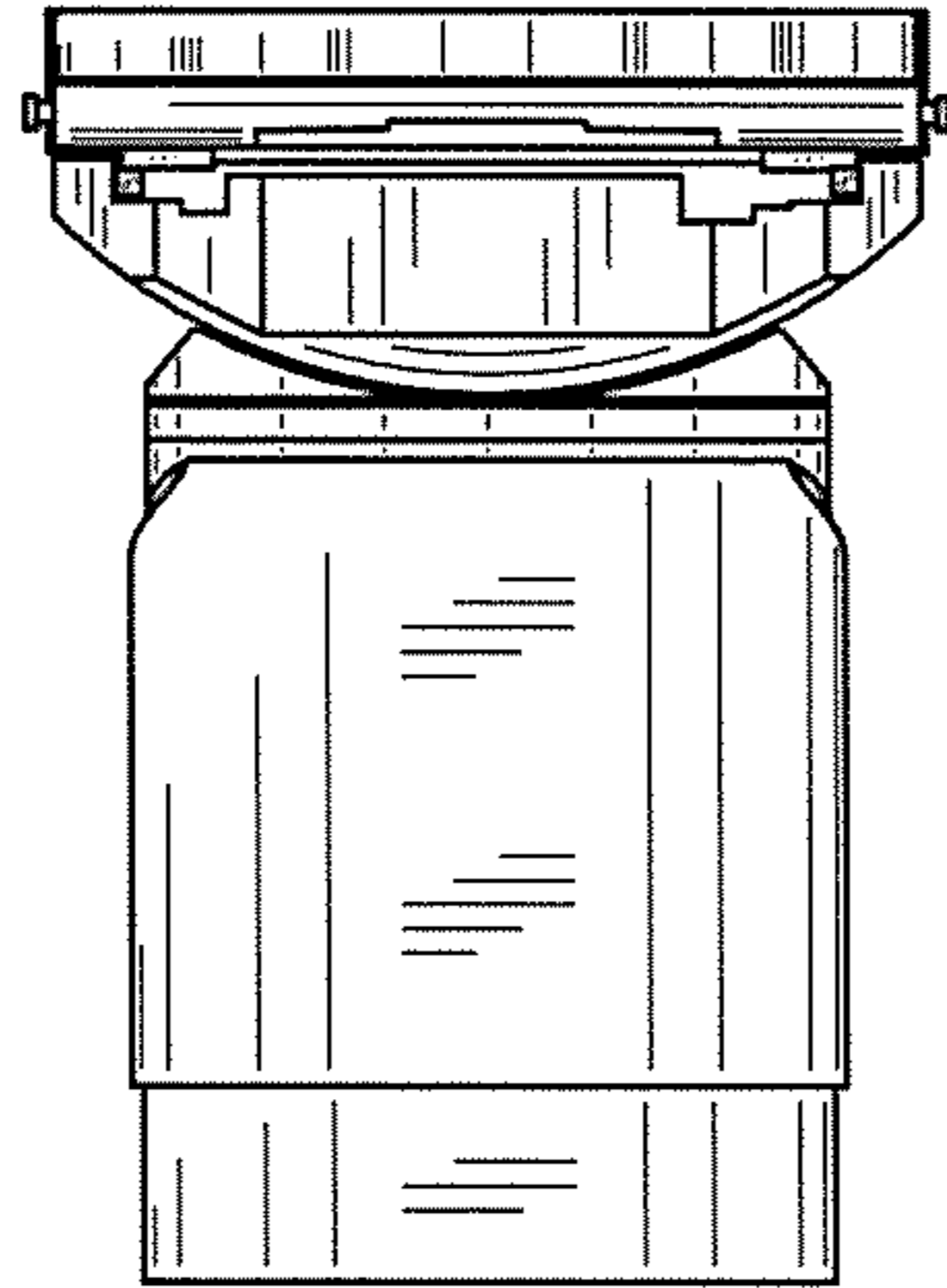


FIG. 5

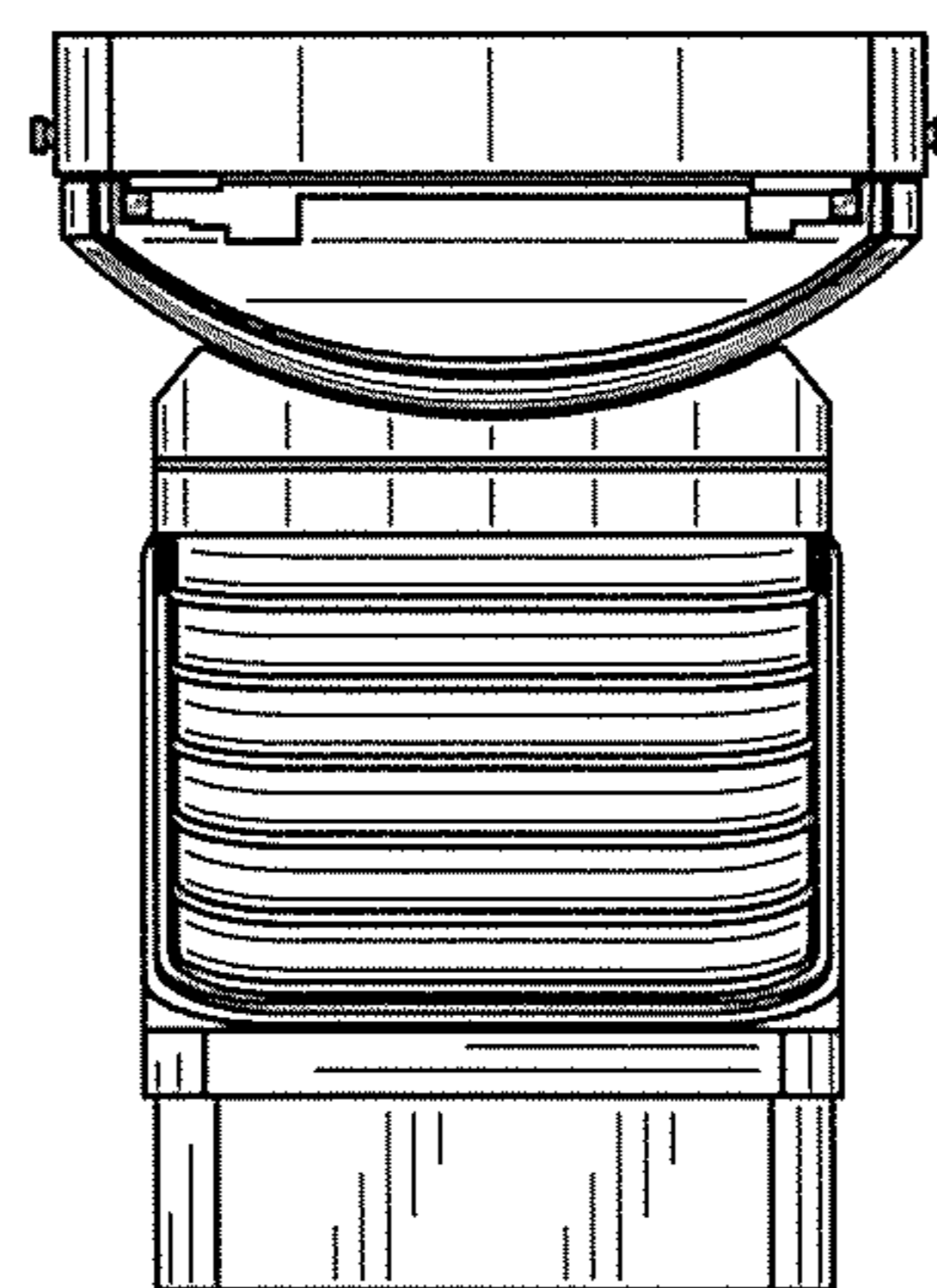


FIG. 6

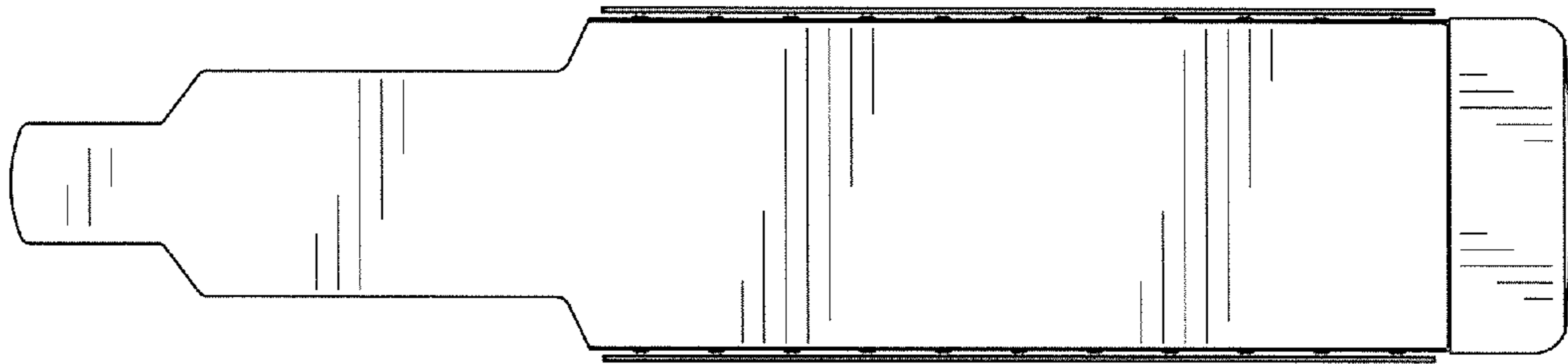


FIG. 7

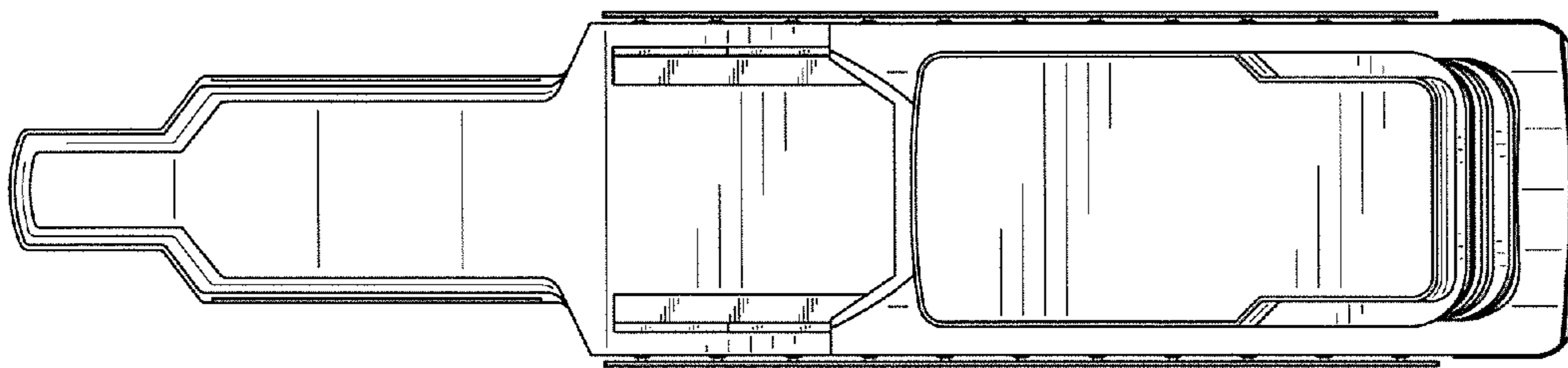


FIG. 8