



US00D743553S

(12) **United States Design Patent**
Curiel et al.

(10) **Patent No.:** **US D743,553 S**
(45) **Date of Patent:** **** Nov. 17, 2015**

(54) **IMAGING BOOTH**

(71) Applicants: **Clara Curiel**, Tucson, AZ (US);
Karleen Seybold, Tucson, AZ (US);
Michael Patton, San Luis Obispo, CA
(US); **Bill Dorr**, Madison, WI (US);
Cory Boudreau, Lake Elmo, MN (US);
Vladlena Belozerova, Madison, WI
(US)

(72) Inventors: **Clara Curiel**, Tucson, AZ (US);
Karleen Seybold, Tucson, AZ (US);
Michael Patton, San Luis Obispo, CA
(US); **Bill Dorr**, Madison, WI (US);
Cory Boudreau, Lake Elmo, MN (US);
Vladlena Belozerova, Madison, WI
(US)

(73) Assignee: **DermSpectra LLC**, Tucson, AZ (US)

(**) Term: **14 Years**

(21) Appl. No.: **29/447,033**

(22) Filed: **Feb. 28, 2013**

(51) **LOC (10) Cl.** **24-01**

(52) **U.S. Cl.**

USPC **D24/158**

(58) **Field of Classification Search**

USPC D24/158, 160, 184, 185; D25/1-35;
378/4, 15, 17, 21, 23-27, 62, 68;
600/410, 421, 422, 425, 407, 409, 415

See application file for complete search history.

(56) **References Cited**

U.S. PATENT DOCUMENTS

D217,995	S *	7/1970	Montgomery	D24/158
5,016,173	A	5/1991	Keret et al.		
D334,980	S *	4/1993	Pritchard	D24/158
D342,137	S *	12/1993	Guentner	D24/158
D372,095	S *	7/1996	Whitby et al.	D24/158
6,002,743	A	12/1999	Telymonde		
6,215,893	B1	4/2001	Leshem et al.		
6,993,167	B1	1/2006	Skladnev et al.		

7,162,063	B1	1/2007	Craine et al.		
7,415,143	B2	8/2008	Grichnik		
7,457,659	B2	11/2008	Maschke		
7,657,101	B2	2/2010	Christiansen, II et al.		
7,689,016	B2	3/2010	Stoecker et al.		
7,894,651	B2	2/2011	Gutkowitz-Krusin et al.		
D639,930	S *	6/2011	Collins et al.	D24/107
8,026,942	B2	9/2011	Payonk et al.		
8,030,582	B2	10/2011	Tanida et al.		
8,068,675	B2	11/2011	Christiansen, II et al.		
D657,058	S *	4/2012	Awad	D24/158
8,194,952	B2	6/2012	Mertz et al.		
8,351,770	B2	1/2013	DePaula et al.		

(Continued)

FOREIGN PATENT DOCUMENTS

WO 2009/070313 A1 6/2009

Primary Examiner — Garth Rademaker

Assistant Examiner — Samantha Q Lawrence

(74) *Attorney, Agent, or Firm* — Zeman-Mullen & Ford, LLP

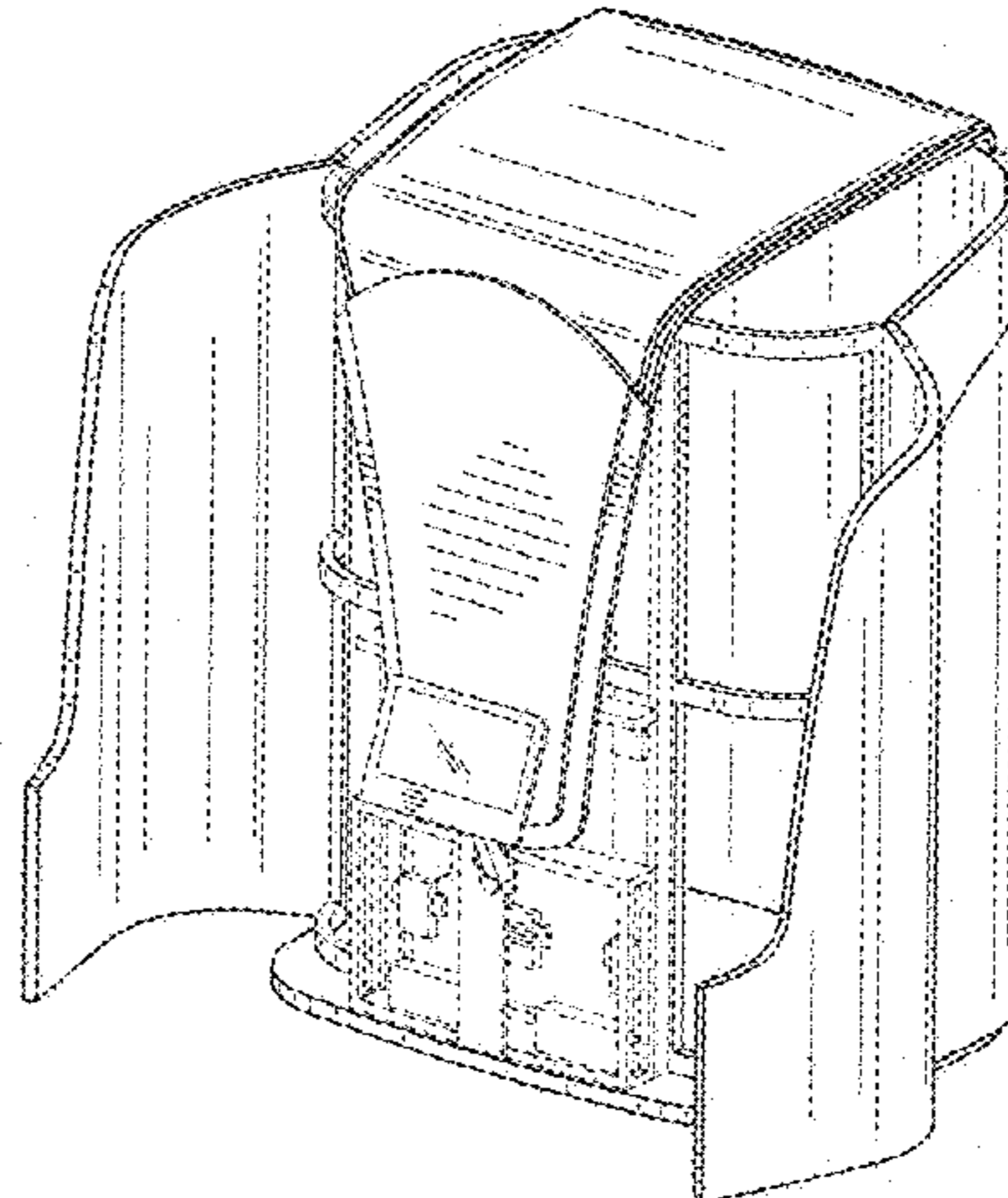
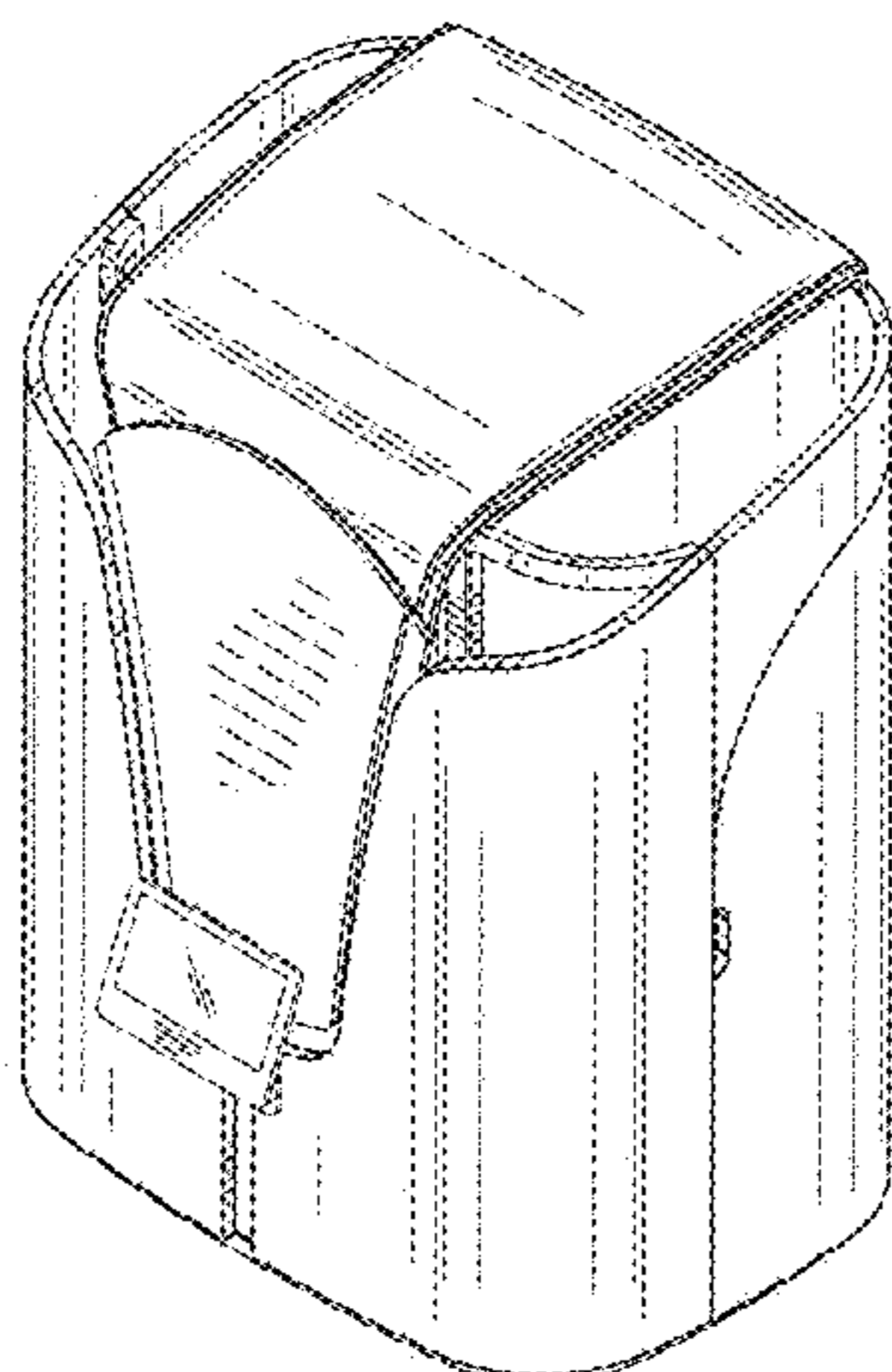
(57) **CLAIM**

The ornamental design for an imaging booth, as shown and described.

DESCRIPTION

FIG. 1 is a perspective view of an imaging booth showing the present invention;
FIG. 2 is a bottom perspective view thereof;
FIG. 3 is a front elevational view thereof;
FIG. 4 is a rear elevational view thereof;
FIG. 5 is a right side elevational view thereof;
FIG. 6 is a left side elevational view thereof;
FIG. 7 is a top view thereof;
FIG. 8 is a bottom view thereof;
FIG. 9 is a front perspective view of the imaging booth showing the front door panels in an open position;
FIG. 10 is a bottom perspective view thereof; and,
FIG. 11 is an elevational view of the imaging booth showing the front door panels in an open position and the side doors in an open position.
The broken lines shown in FIG. 2 and FIGS. 8-11 illustrate portions of the imaging booth that form no part of the claimed design.

1 Claim, 11 Drawing Sheets



(56)

References Cited

U.S. PATENT DOCUMENTS

D694,909 S *	12/2013	Cashman et al.	D25/1	2008/0194968 A1	8/2008	Drugge
D702,351 S *	4/2014	Li et al.	D24/158	2009/0060304 A1	3/2009	Gulfo et al.
8,684,599 B2 *	4/2014	Seppala et al.	378/197	2009/0118600 A1	5/2009	Ortiz et al.
D714,455 S *	9/2014	Gerber et al.	D24/185	2009/0185727 A1	7/2009	Beckmann et al.
D714,945 S *	10/2014	Gerber et al.	D24/185	2009/0196475 A1	8/2009	Demirli et al.
D715,938 S *	10/2014	Li et al.	D24/158	2009/0281420 A1	11/2009	Passmore
D715,940 S *	10/2014	Li et al.	D24/158	2009/0304243 A1	12/2009	Mertz et al.
D715,941 S *	10/2014	Li et al.	D24/158	2010/0070384 A1	3/2010	Kruusmaa et al.
2005/0119551 A1	6/2005	Maschke		2010/0111387 A1	5/2010	Christiansen, II et al.
2008/0049990 A1	2/2008	Melchi et al.		2010/0232773 A1	9/2010	DePaula et al.
				2011/0273535 A1	11/2011	Mendelson
				2011/0284632 A1	11/2011	Mullen et al.

* cited by examiner

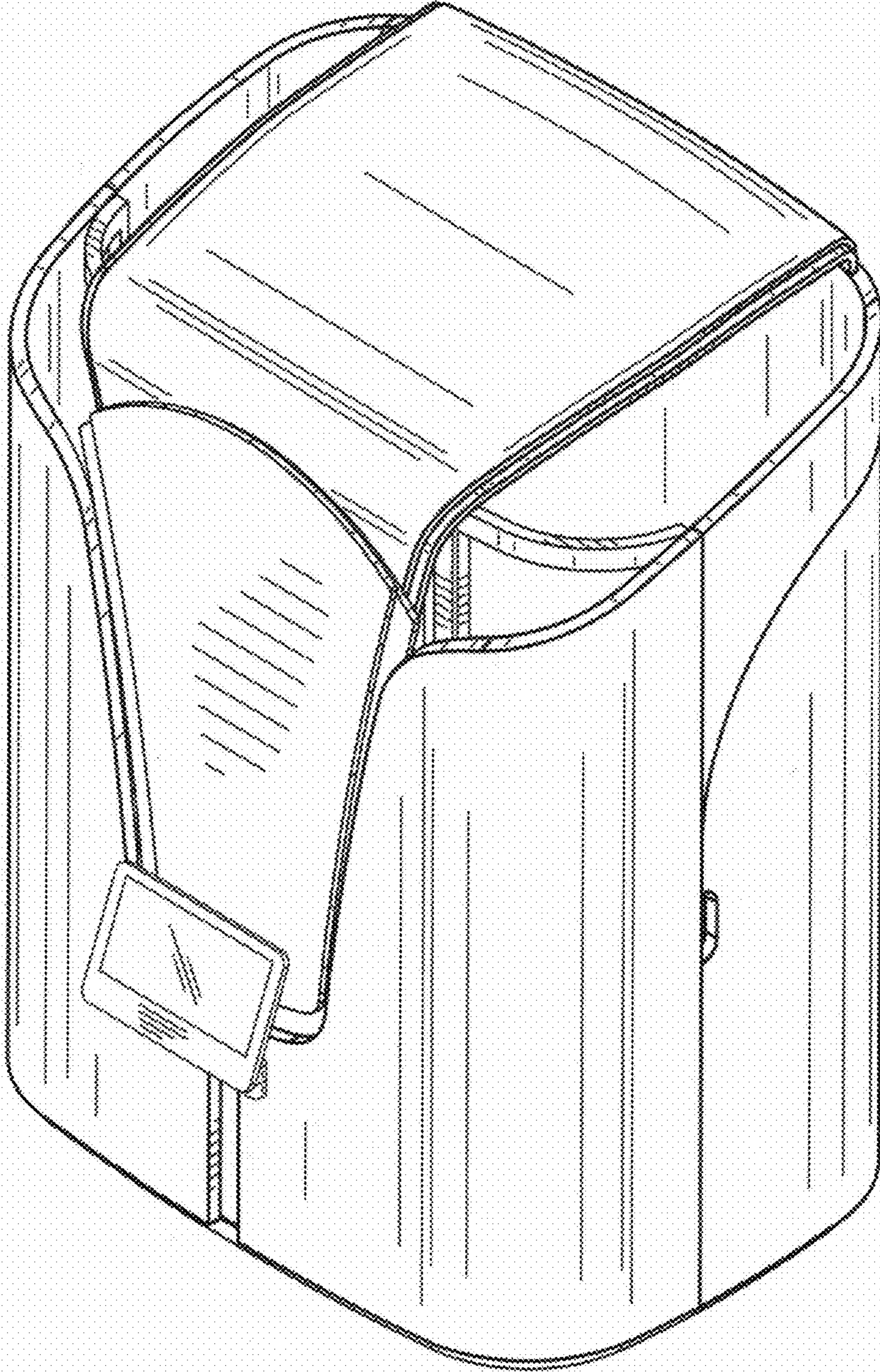


FIG. 1

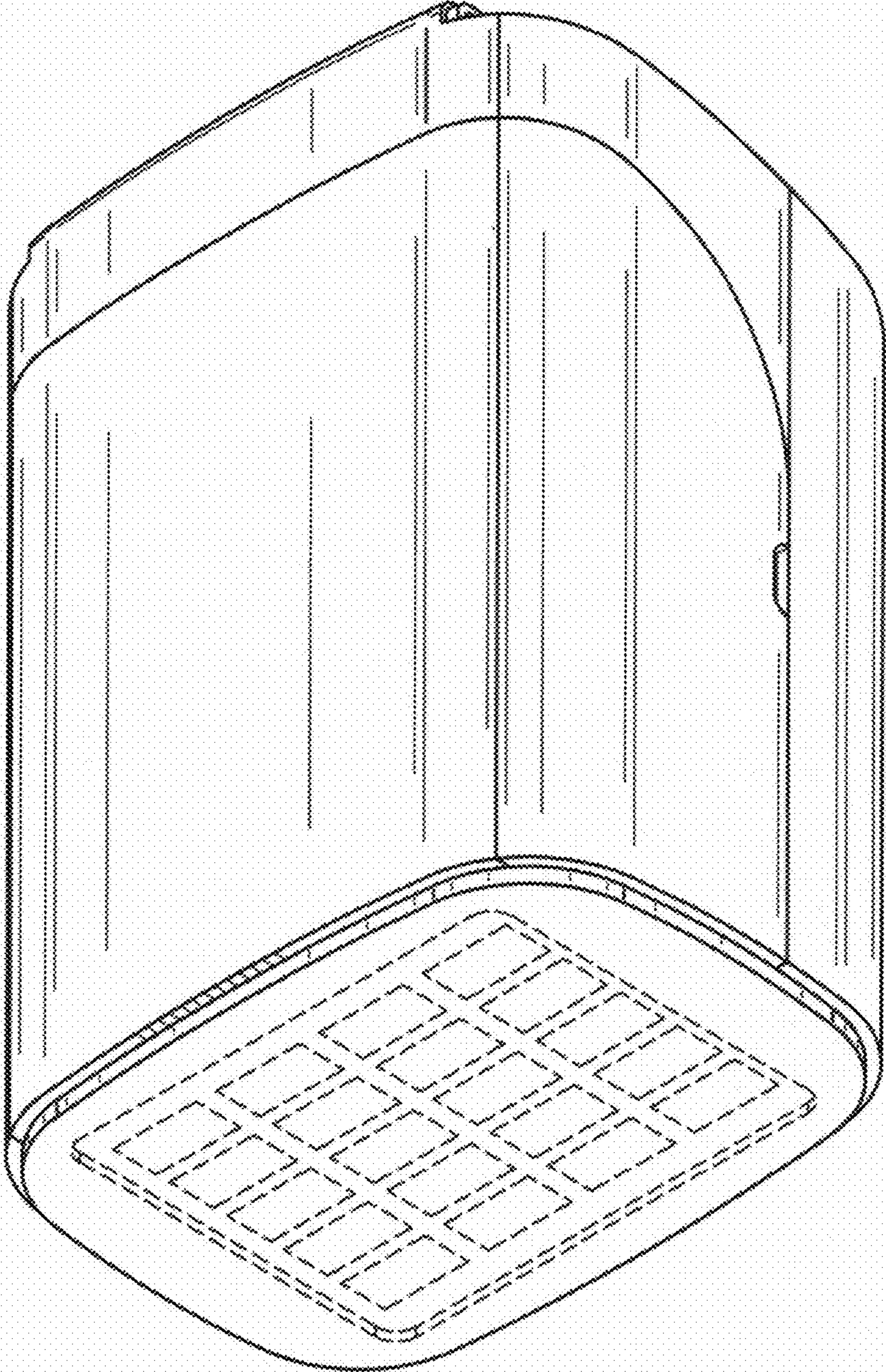


FIG. 2

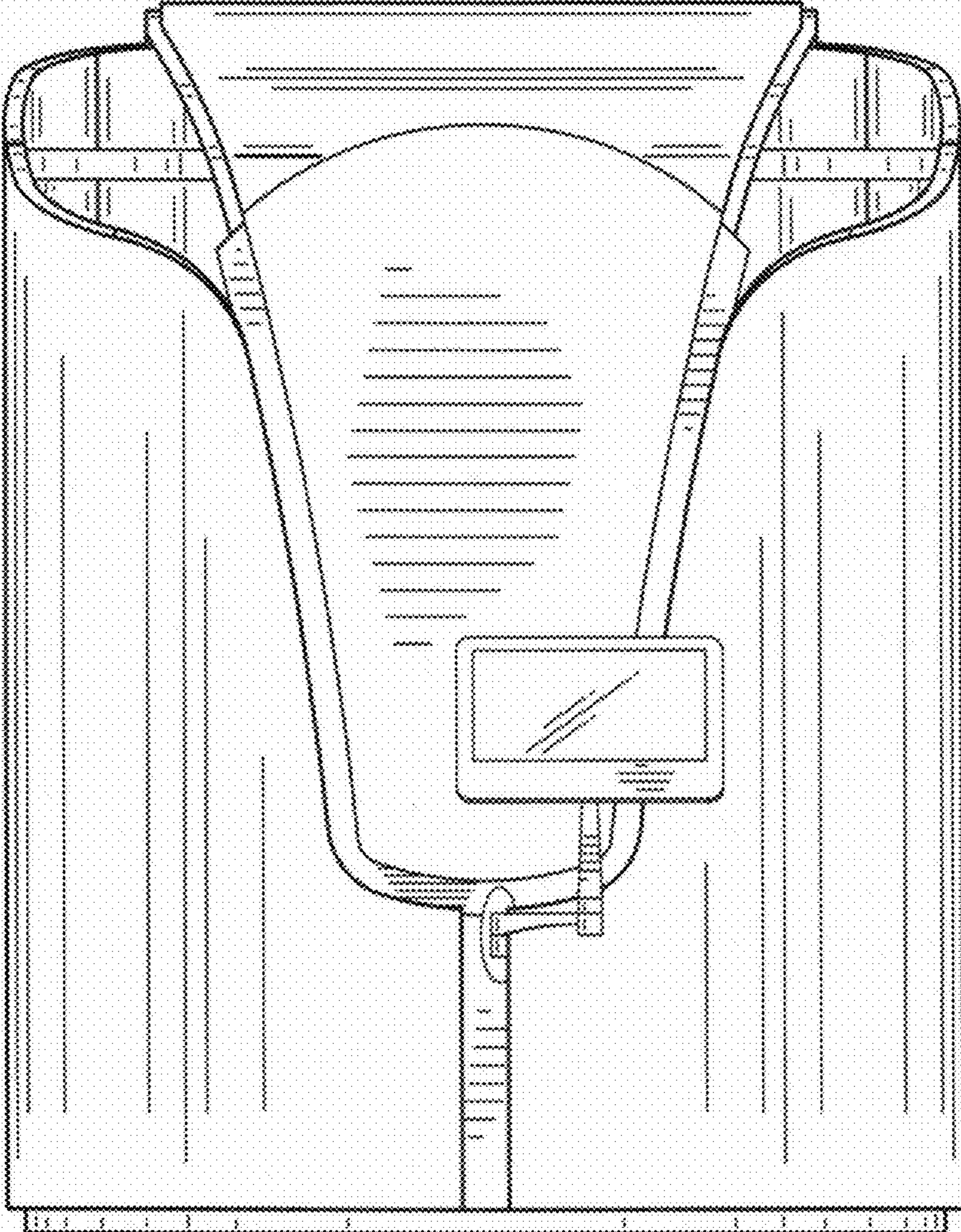


FIG. 3

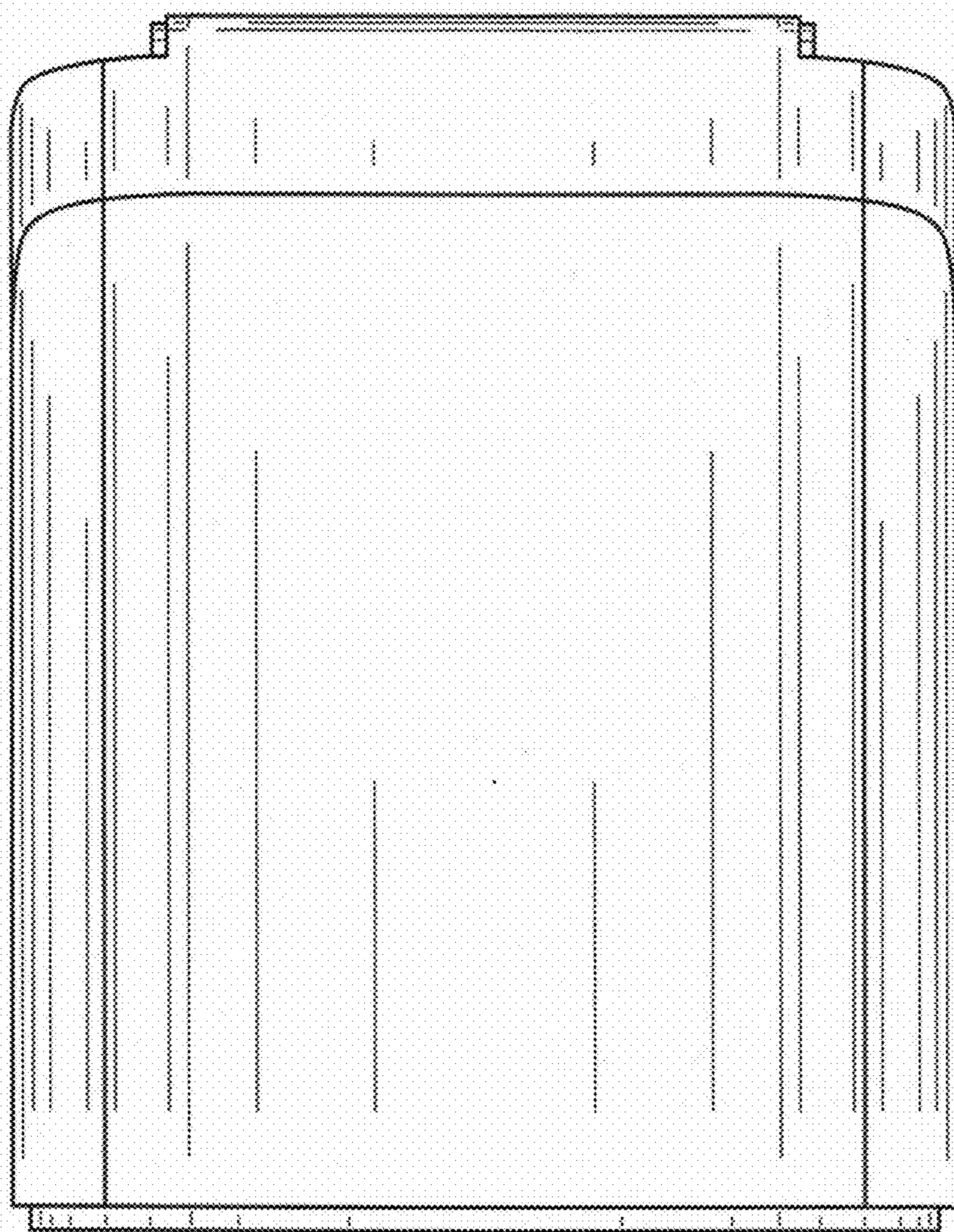


FIG. 4

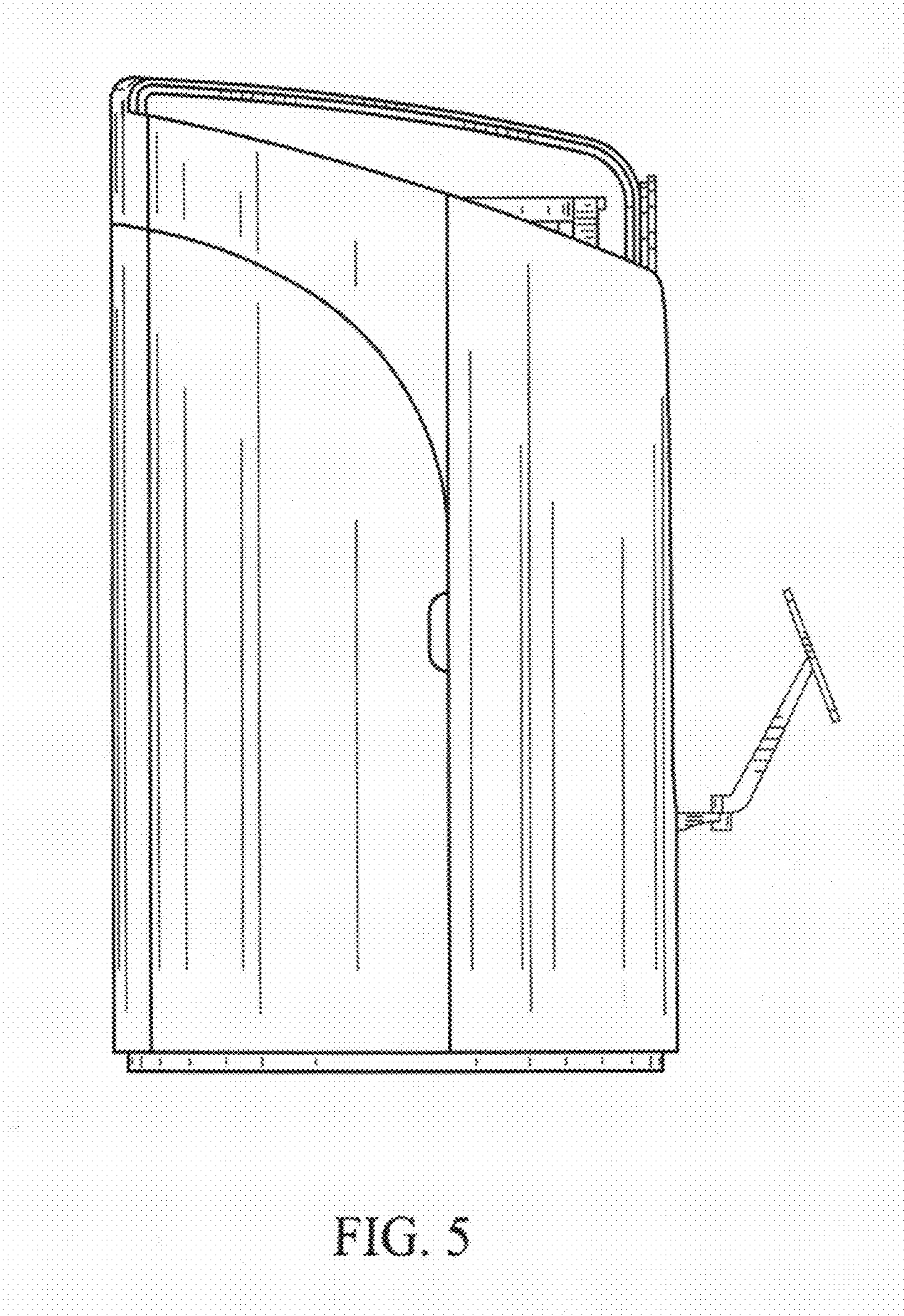


FIG. 5

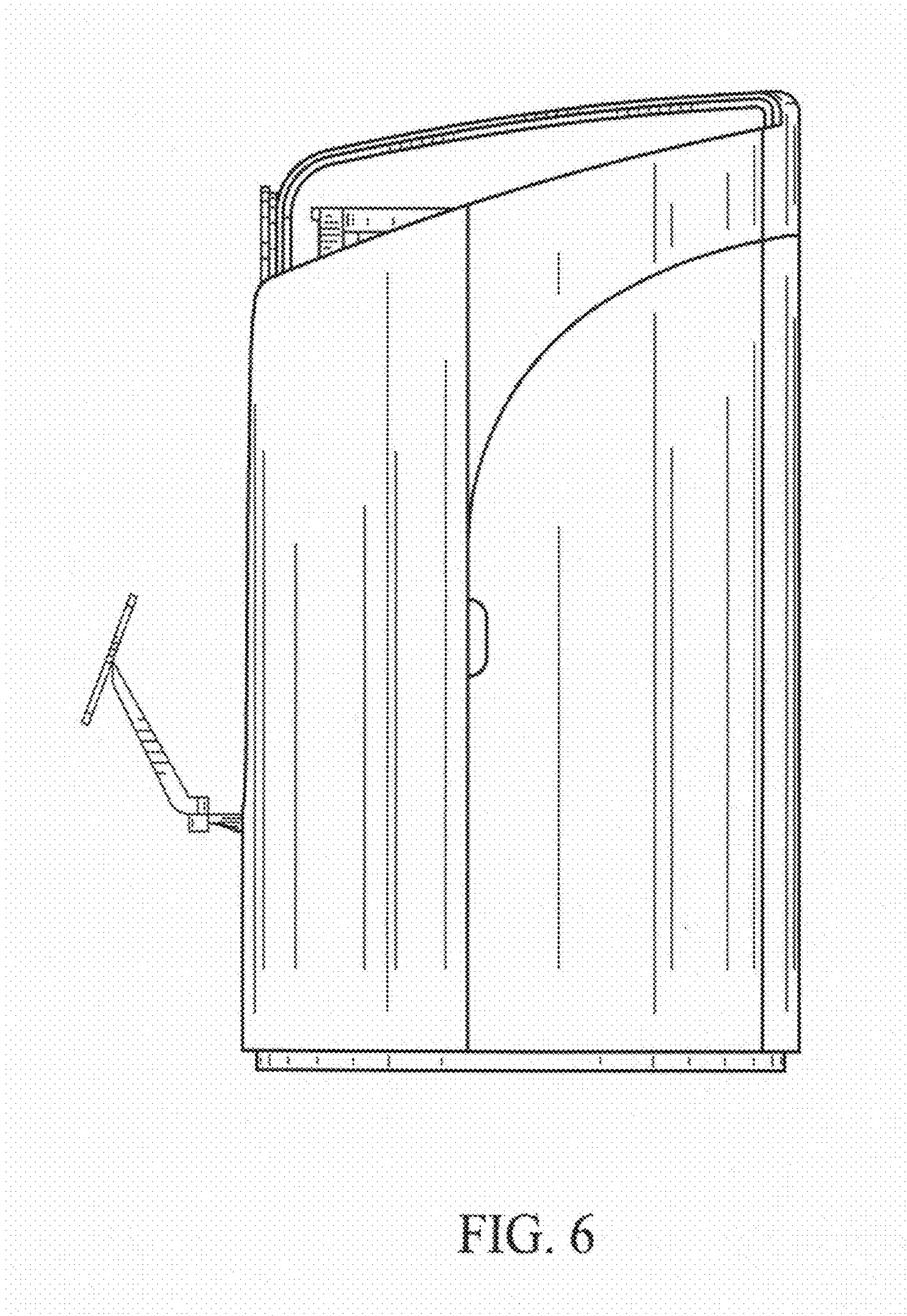


FIG. 6

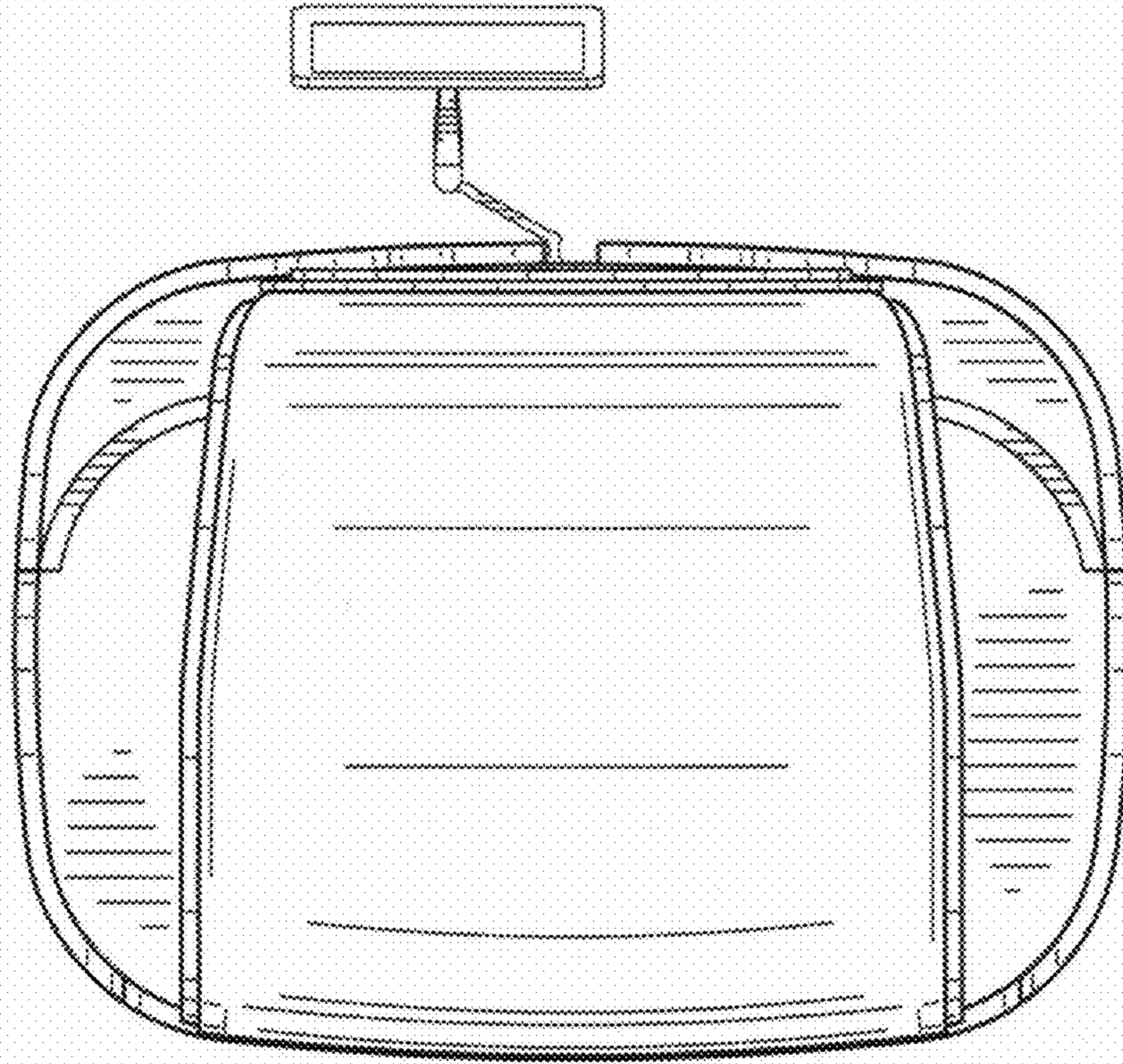


FIG. 7

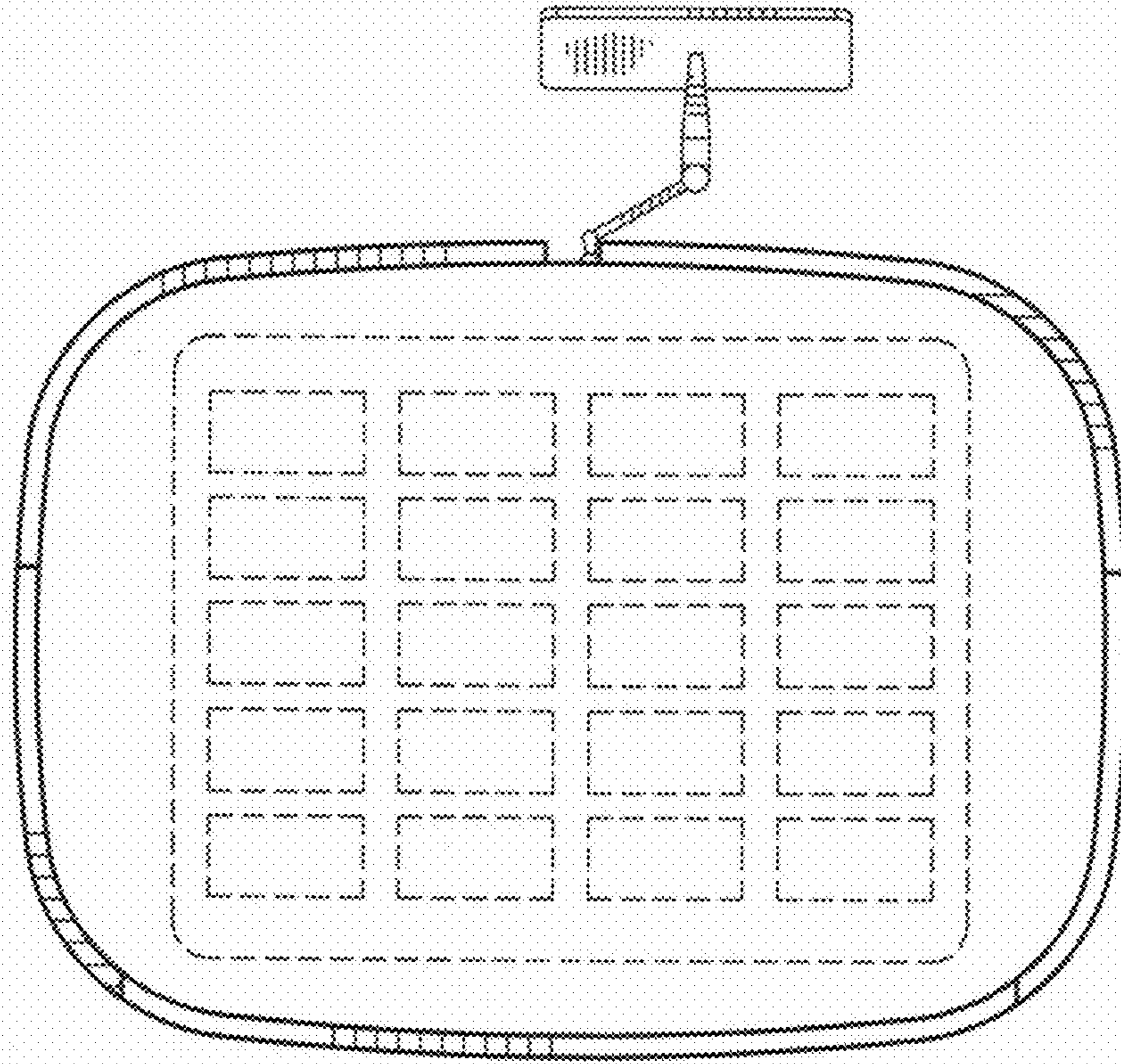


FIG. 8

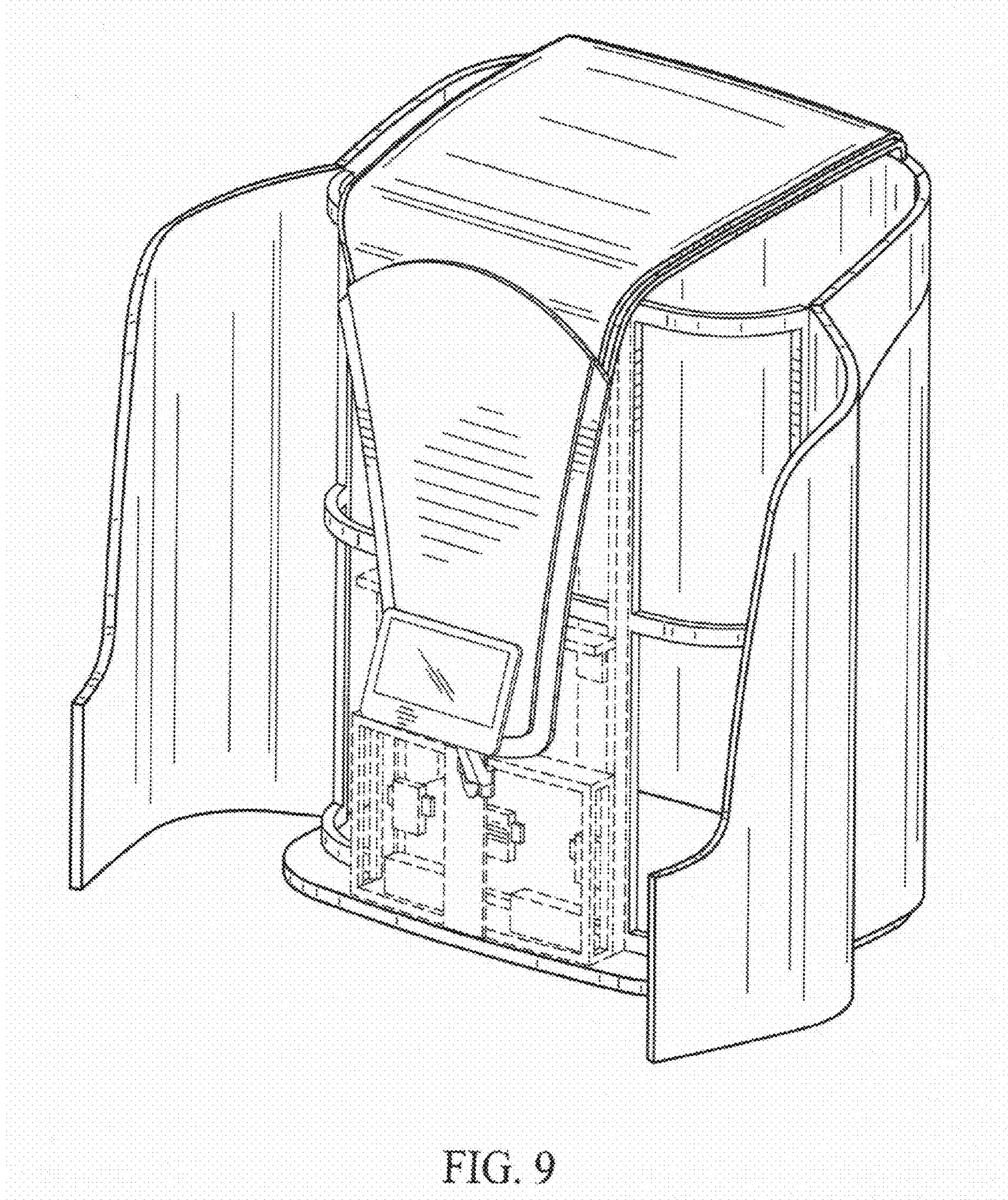


FIG. 9

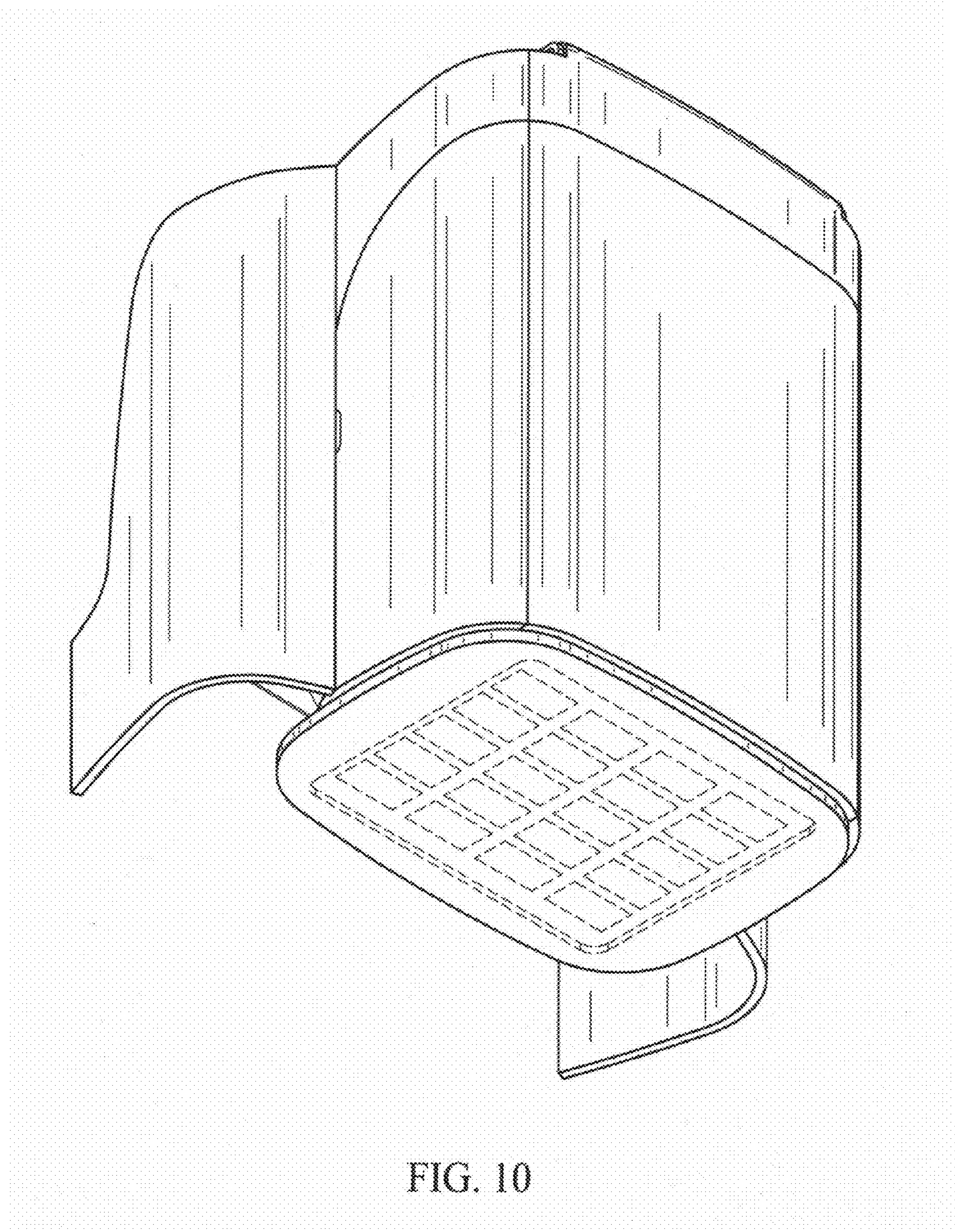


FIG. 10

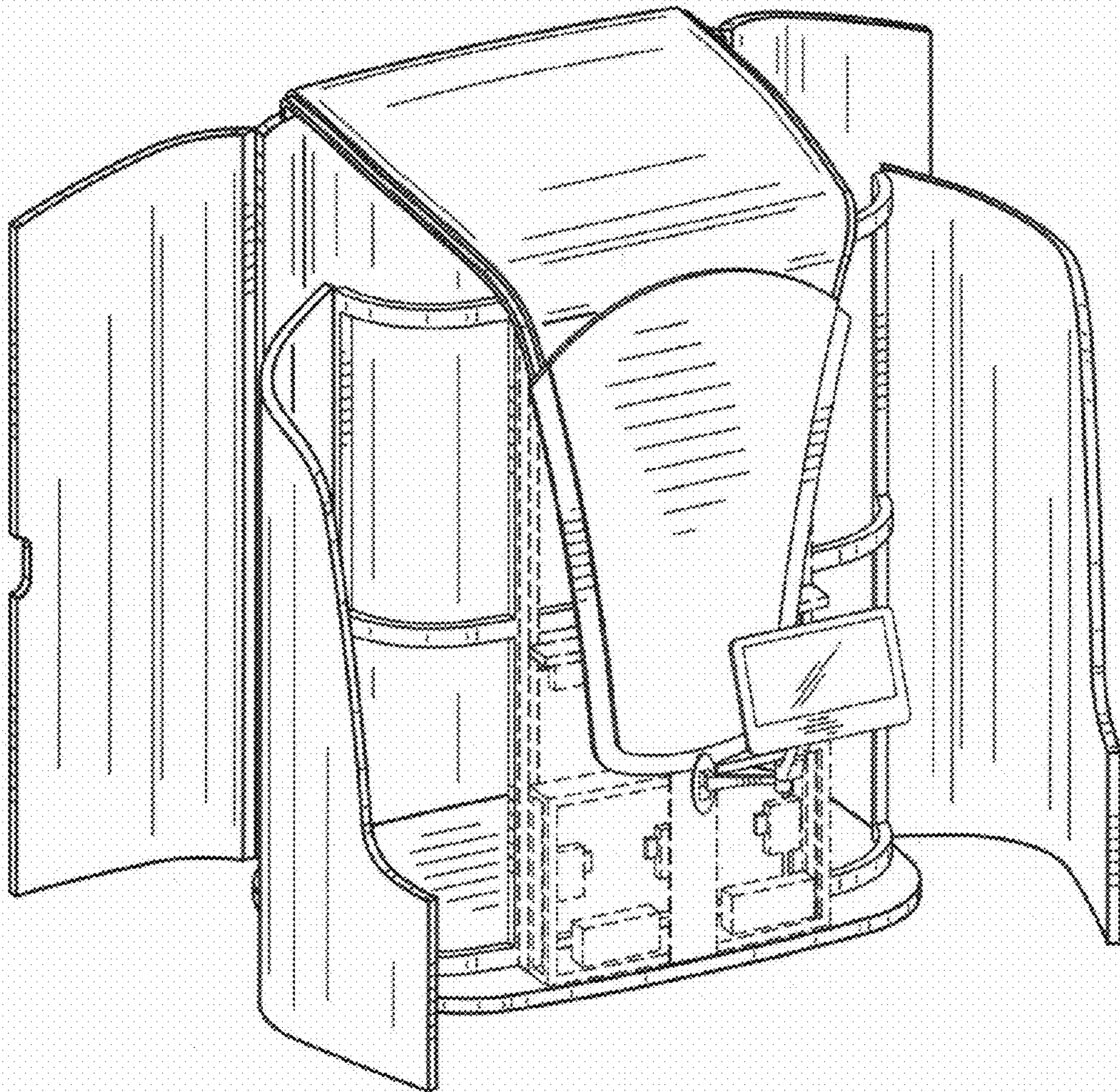


FIG. 11