



US00D743552S

(12) **United States Design Patent**
Bronnimann et al.

(10) **Patent No.:** **US D743,552 S**

(45) **Date of Patent:** **** Nov. 17, 2015**

- (54) **ADAPTOR FOR AN OSTOMY IMPLANT**
- (71) Applicant: **OSTOMYCURE AS**, Oslo (NO)
- (72) Inventors: **Benedict Bronnimann**, Penthaz (CH);
Mats Erik Kindhal Cardell, Sollentuna (SE);
Erik Elwing, Jonkoping (SE);
Jimmy Gido Schon, Jonkoping (SE);
Camilla Lundin, Bankeryd (SE)

5,269,774 A	12/1993	Gray	
D345,418 S *	3/1994	Fenton	D24/129
5,423,761 A	6/1995	Hein et al.	
5,425,761 A	6/1995	Lundgren	
5,503,635 A *	4/1996	Sauer et al.	606/153
5,882,341 A	3/1999	Bousquet	
6,017,355 A	1/2000	Hessel et al.	
D460,550 S *	7/2002	Falconer	D24/118

(Continued)

- (73) Assignee: **Ostomycure AS**, Oslo (NO)
- (**) Term: **14 Years**

EP	0477475 B1	4/1992
EP	1632201 B1	3/2006

(Continued)

- (21) Appl. No.: **29/471,225**
- (22) Filed: **Oct. 29, 2013**

FOREIGN PATENT DOCUMENTS

- (30) **Foreign Application Priority Data**
Apr. 30, 2013 (WO) DM/080 865

- (51) **LOC (10) Cl.** **24-02**
- (52) **U.S. Cl.**
USPC **D24/155**

- (58) **Field of Classification Search**
USPC D24/155, 144, 127-129, 118
CPC A61F 5/445; A61F 5/443; A61F 5/448;
A61F 5/4405; A61F 5/4407; A61B 2017/1117
See application file for complete search history.

OTHER PUBLICATIONS

International Search Report and Written Opinion, PCT/GB2012/050668, mailed Sep. 28, 2012.

(Continued)

Primary Examiner — Susan Bennett Hattan
Assistant Examiner — Charles Hanson
(74) *Attorney, Agent, or Firm* — Winston & Strawn LLP

- (56) **References Cited**
U.S. PATENT DOCUMENTS

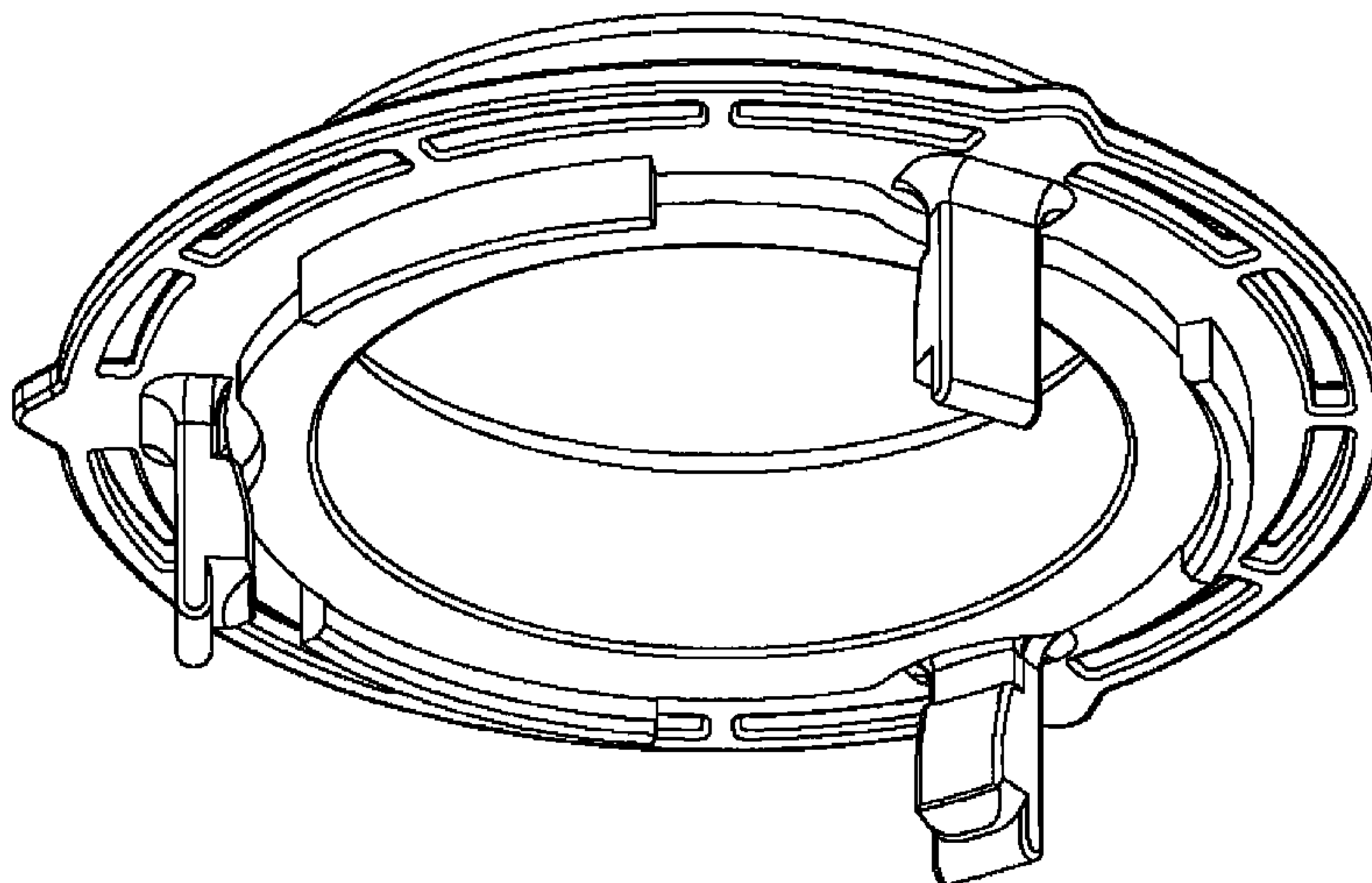
3,557,790 A *	1/1971	Hauser	604/342
3,663,965 A	5/1972	Lee, Jr. et al.	
4,119,100 A	10/1978	Rickett	
4,183,357 A	1/1980	Bentley et al.	
4,217,664 A	8/1980	Faso	
4,681,574 A *	7/1987	Eastman	604/344
D323,213 S *	1/1992	Iacone	D24/129
5,079,843 A *	1/1992	Shelton et al.	30/310
5,098,397 A	3/1992	Svensson et al.	

- (57) **CLAIM**
The ornamental design for an adaptor for an ostomy implant, as shown and described.

DESCRIPTION

FIG. 1 is a top perspective view of the adaptor for an ostomy implant according to the present invention.
FIG. 2 is a top view thereof.
FIG. 3 is a bottom perspective view thereof.
FIG. 4 is a bottom view thereof.
FIG. 5 is a front side view thereof.
FIG. 6 is a back side view thereof.
FIG. 7 is a left side view thereof; and,
FIG. 8 is a right side view thereof.

1 Claim, 4 Drawing Sheets



(56)

References Cited

U.S. PATENT DOCUMENTS

6,438,397	B1	8/2002	Bousquet et al.	
D516,212	S *	2/2006	Persson et al.	D24/128
D533,660	S *	12/2006	Persson et al.	D24/128
7,931,631	B2 *	4/2011	Pedersen et al.	604/344
7,935,096	B2	5/2011	Johansson et al.	
D683,451	S *	5/2013	Todd et al.	D24/127
D687,144	S *	7/2013	Gronberg	D24/127
D687,145	S *	7/2013	Gronberg	D24/129
D699,848	S *	2/2014	Leroy et al.	D24/144
8,657,799	B2 *	2/2014	Carrubba	604/318
2001/0051794	A1	12/2001	Bestetti et al.	
2002/0099344	A1	7/2002	Hessel et al.	
2004/0006396	A1	1/2004	Ricci et al.	
2006/0052759	A1	3/2006	Johansson et al.	
2009/0076532	A1 *	3/2009	Rebuffat et al.	606/153
2009/0138030	A1 *	5/2009	Gronberg	606/153
2009/0192464	A1	7/2009	Axelsson et al.	
2009/0234312	A1 *	9/2009	O'Toole et al.	604/332
2009/0312685	A1 *	12/2009	Olsen et al.	602/54
2011/0178540	A1	7/2011	Axelsson et al.	
2011/0196324	A1	8/2011	Johansson et al.	
2012/0123361	A1	5/2012	Johansson et al.	
2013/0138065	A1 *	5/2013	Buus	604/344
2013/0274696	A1 *	10/2013	Lam	604/332
2013/0304008	A1 *	11/2013	Hanuka et al.	604/334

FOREIGN PATENT DOCUMENTS

EP	1825839	A1	8/2007
EP	2027835	A1	2/2009

GB	2045084		10/1980
GB	2105197		3/1983
JP	2002507901		3/2002
WO	WO9858691	A1	12/1998
WO	WO0062722	A1	10/2000
WO	WO0108597	A1	2/2001
WO	WO2005056079	A1	6/2005
WO	WO2007099500	A1	9/2007
WO	WO2009024568	A1	2/2009
WO	WO2010000851	A2	1/2010
WO	WO2010125346	A1	11/2010

OTHER PUBLICATIONS

International Search Report and Written Opinion, Appl. No. PCT/IB2007/050646, Jul. 27, 2007.

U.S. Appl. No. 12/280,610 Restriction Requirement, Dec. 23, 2010.

U.S. Appl. No. 12/280,610, Non-Final Office Action, Mar. 22, 2011.

U.S. Appl. No. 12/280,610, Applicant-Initiated Interview Summary, Sep. 16, 2011.

U.S. Appl. No. 12/280,610, Non-Final Office Action, Mar. 16, 2012.

U.S. Appl. No. 12/280,610, Final Office Action, Jan. 9, 2013.

U.S. Appl. No. 12/280,610, Advisory Action, Mar. 15, 2013.

U.S. Appl. No. 12/280,610, Applicant-Initiated Interview Summary, Apr. 12, 2013.

European Search Report, Application No. 07114671 dated Dec. 4, 2007.

International Search Report, PCT/EP2008/060837, mailed Nov. 7, 2008.

British Search Report, GB1105126.5, mailed Jul. 15, 2011.

British Search Report, GB1105126.5, mailed Jan. 20, 2012.

* cited by examiner

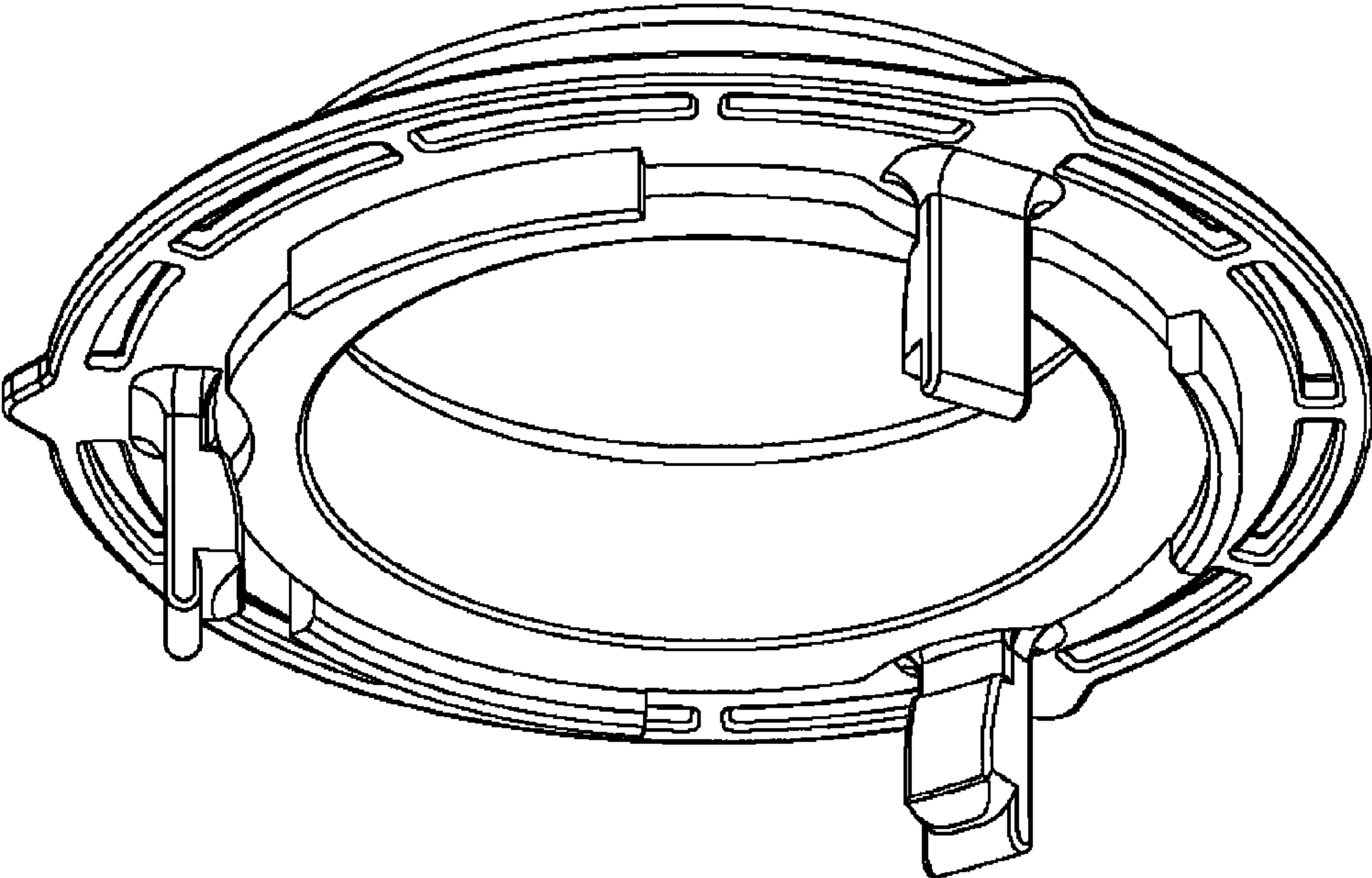


FIG. 1

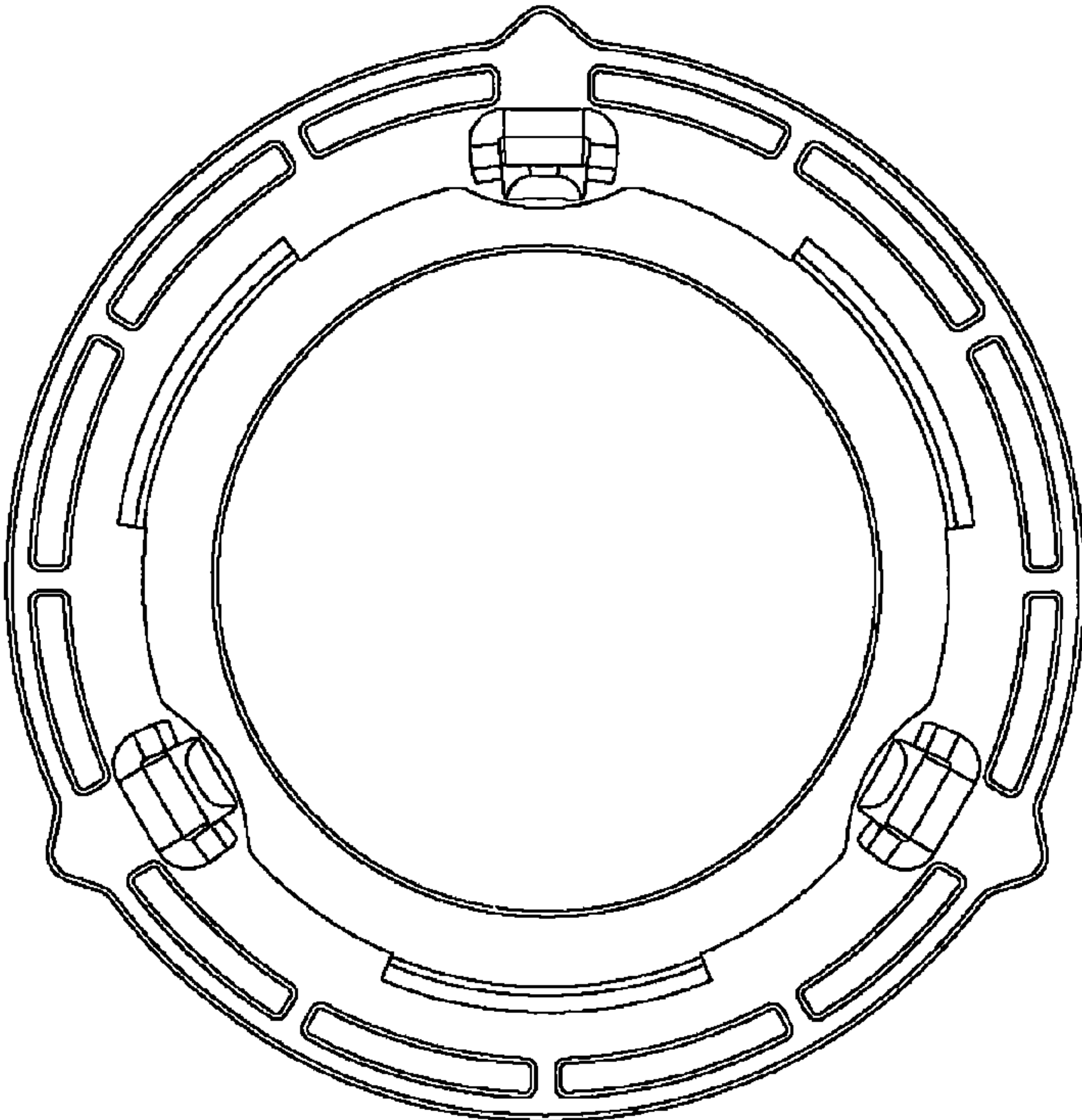


FIG. 2

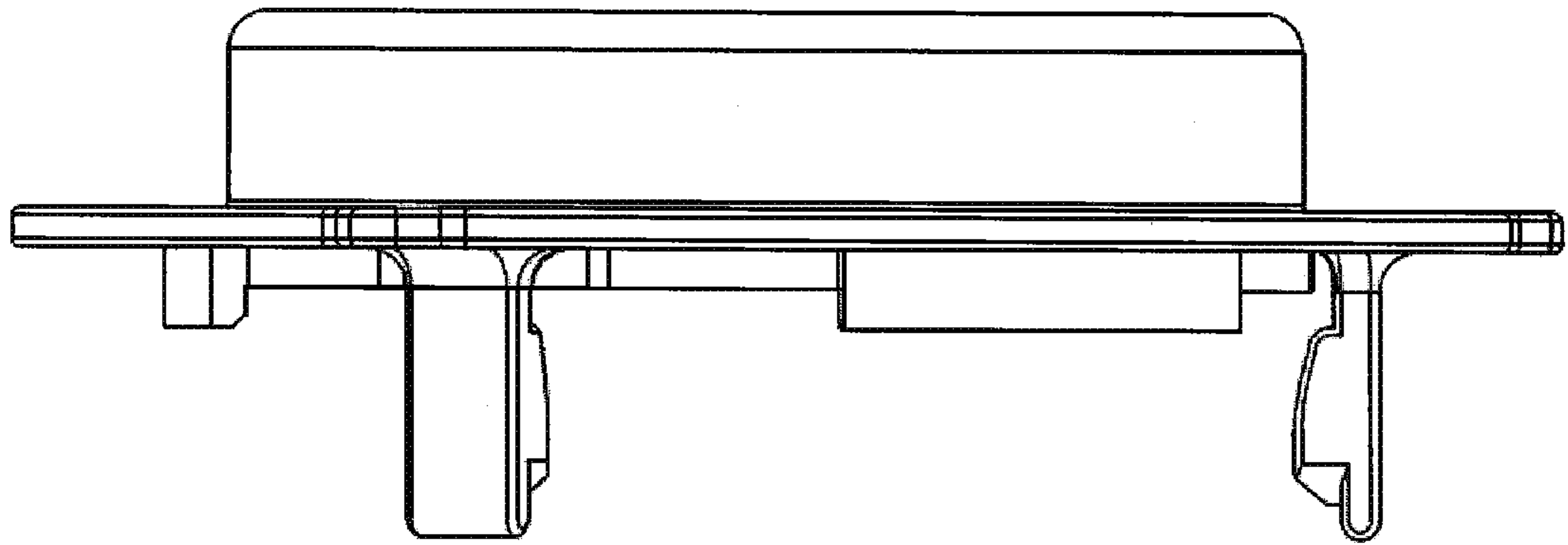


FIG. 3

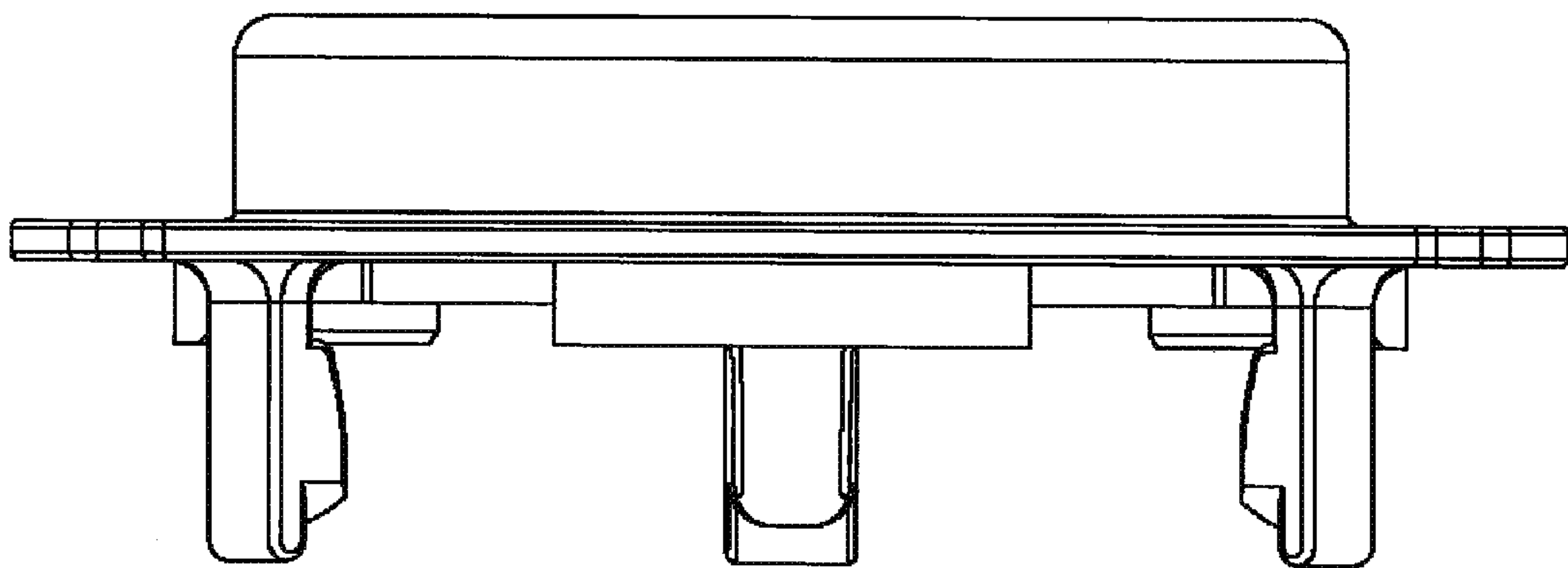


FIG. 4

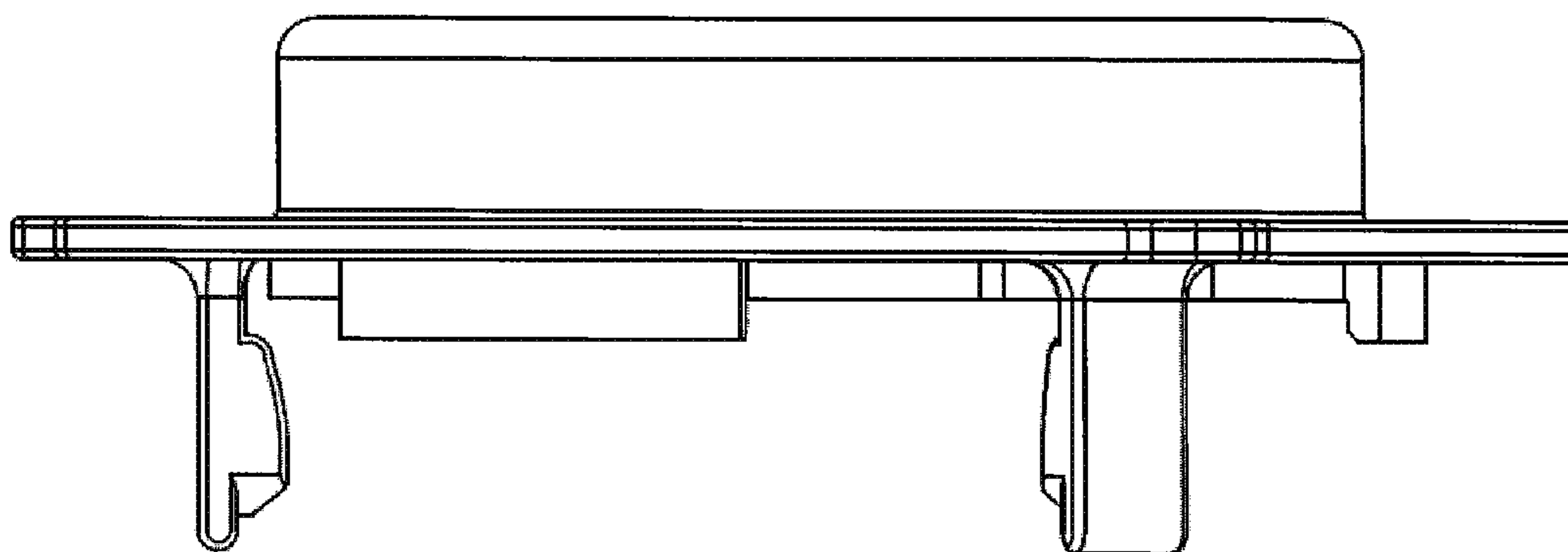


FIG. 5

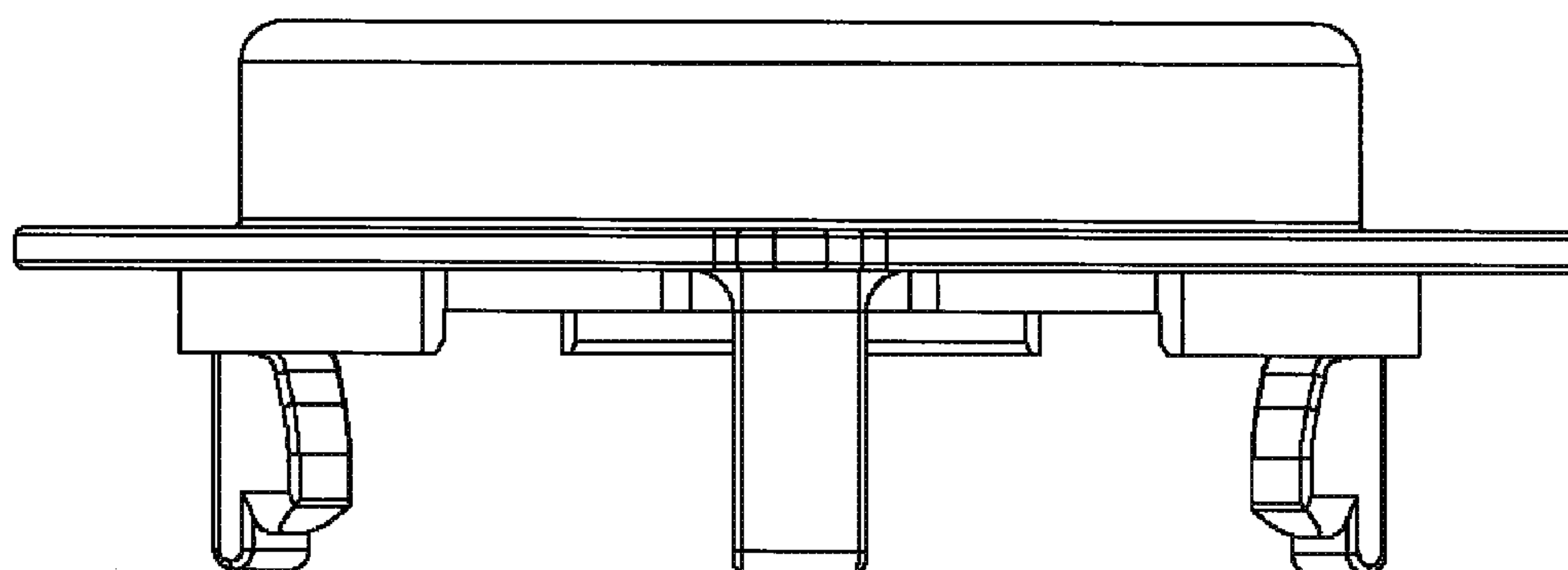


FIG. 6

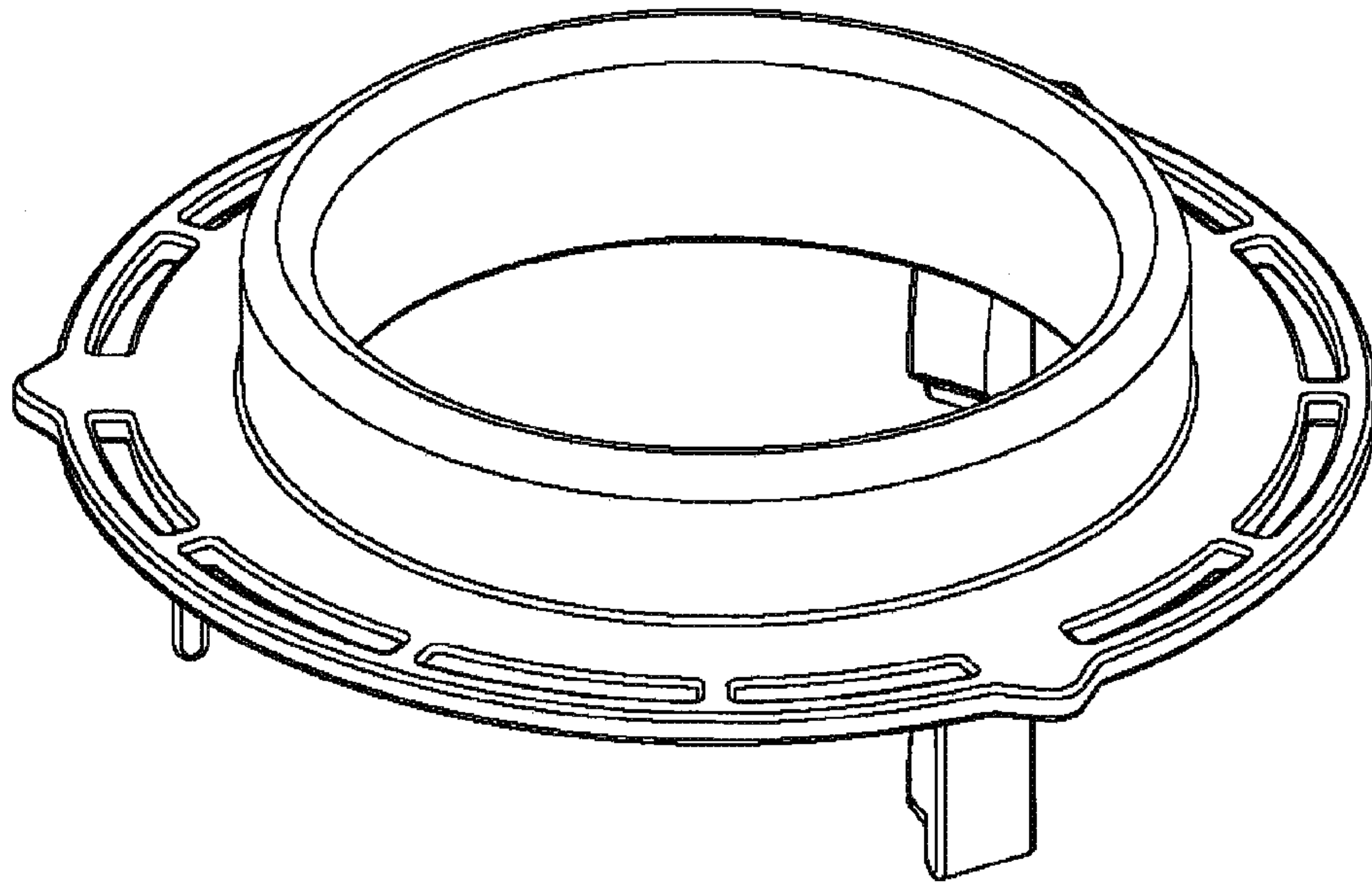


FIG. 7

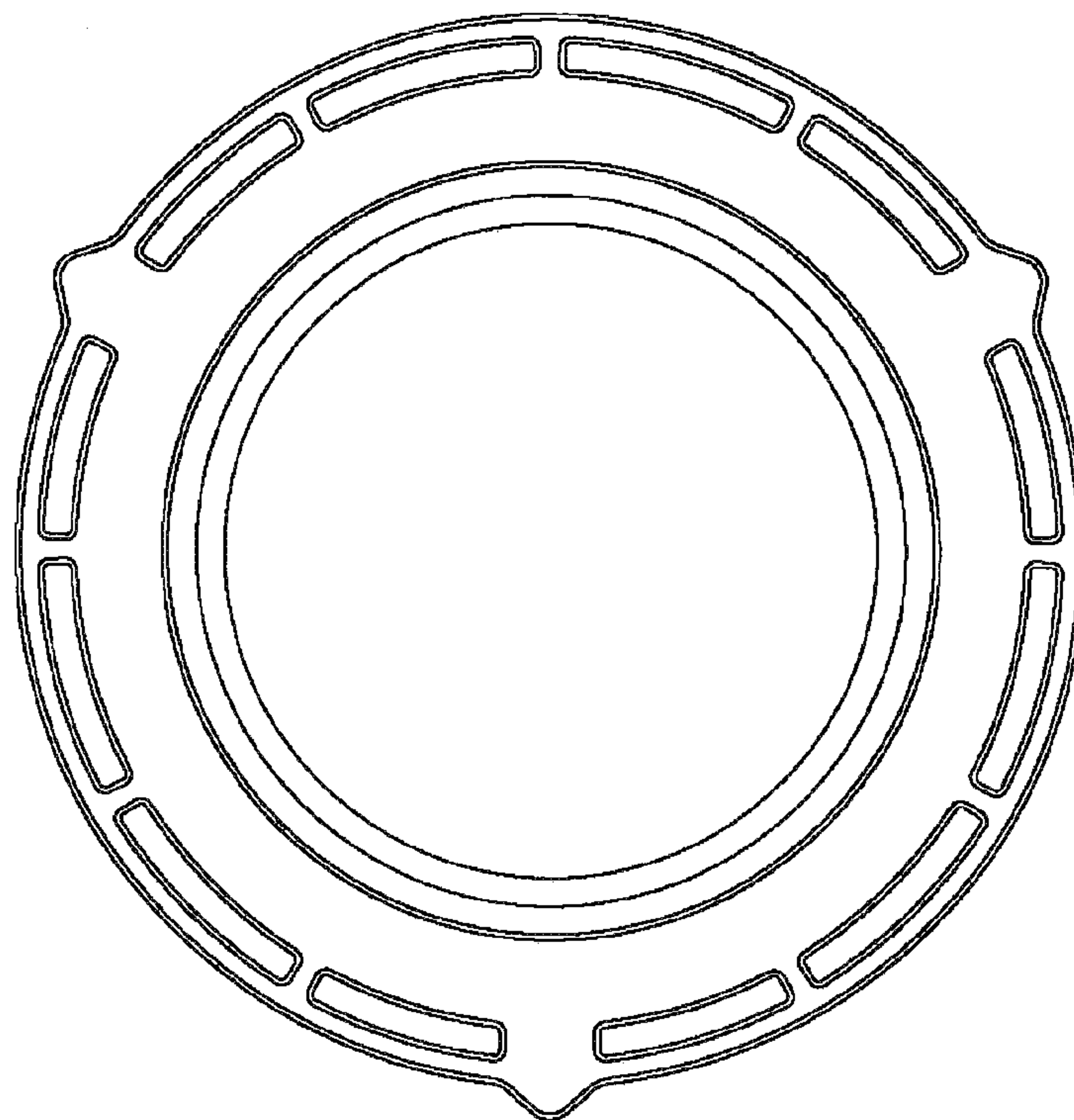


FIG. 8

UNITED STATES PATENT AND TRADEMARK OFFICE
CERTIFICATE OF CORRECTION

PATENT NO. : D743,552 S
APPLICATION NO. : 29/471225
DATED : November 17, 2015
INVENTOR(S) : Bronnimann et al.

Page 1 of 1

It is certified that error appears in the above-identified patent and that said Letters Patent is hereby corrected as shown below:

Title Page:

Item (72) 2nd named Inventor, "Kindhal" should read -- Kindahl --, therefore 2nd named inventor should appear as "Mats Erik Kindahl Cardell"

Signed and Sealed this
Twenty-third Day of February, 2016



Michelle K. Lee
Director of the United States Patent and Trademark Office