



US00D743550S

(12) **United States Design Patent**
Lim

(10) **Patent No.:** **US D743,550 S**

(45) **Date of Patent:** **** *Nov. 17, 2015**

(54) **DENTAL TOOL HANDLE**

(56) **References Cited**

(71) Applicant: **Dental USA, Inc.**, McHenry, IL (US)

U.S. PATENT DOCUMENTS

(72) Inventor: **Jang H. Lim**, McHenry, IL (US)

(73) Assignee: **Dental USA, Inc.**, McHenry, IL (US)

D259,660	S	*	6/1981	Sosnay	D24/154
D295,445	S	*	4/1988	Freeman	D24/147
4,836,781	A	*	6/1989	Meinershagen	433/141
5,127,833	A	*	7/1992	Kline	433/143
D336,517	S	*	6/1993	McKeown	D24/133
D394,902	S	*	6/1998	Herbst et al.	D24/154
D405,179	S	*	2/1999	Kirsch et al.	D24/154
D428,652	S	*	7/2000	Frezel et al.	D24/152
D430,298	S	*	8/2000	Holms	D24/152
6,511,320	B2	*	1/2003	Esposito	433/141
7,249,948	B2	*	7/2007	Hill	433/143
D588,747	S	*	3/2009	Wittke-Kothe	D28/57
2007/0003903	A1	*	1/2007	Meuchel	433/141

(*) Notice: This patent is subject to a terminal disclaimer.

(**) Term: **14 Years**

(21) Appl. No.: **29/445,492**

* cited by examiner

(22) Filed: **Feb. 12, 2013**

Primary Examiner — Wan Laymon

(74) *Attorney, Agent, or Firm* — Bishop Diehl & Lee, Ltd.

Related U.S. Application Data

(62) Division of application No. 29/407,316, filed on Nov. 28, 2011, now Pat. No. Des. 684,264.

(57) **CLAIM**

The ornamental design for a dental tool handle, as shown and described.

(51) **LOC (10) Cl.** **24-02**

DESCRIPTION

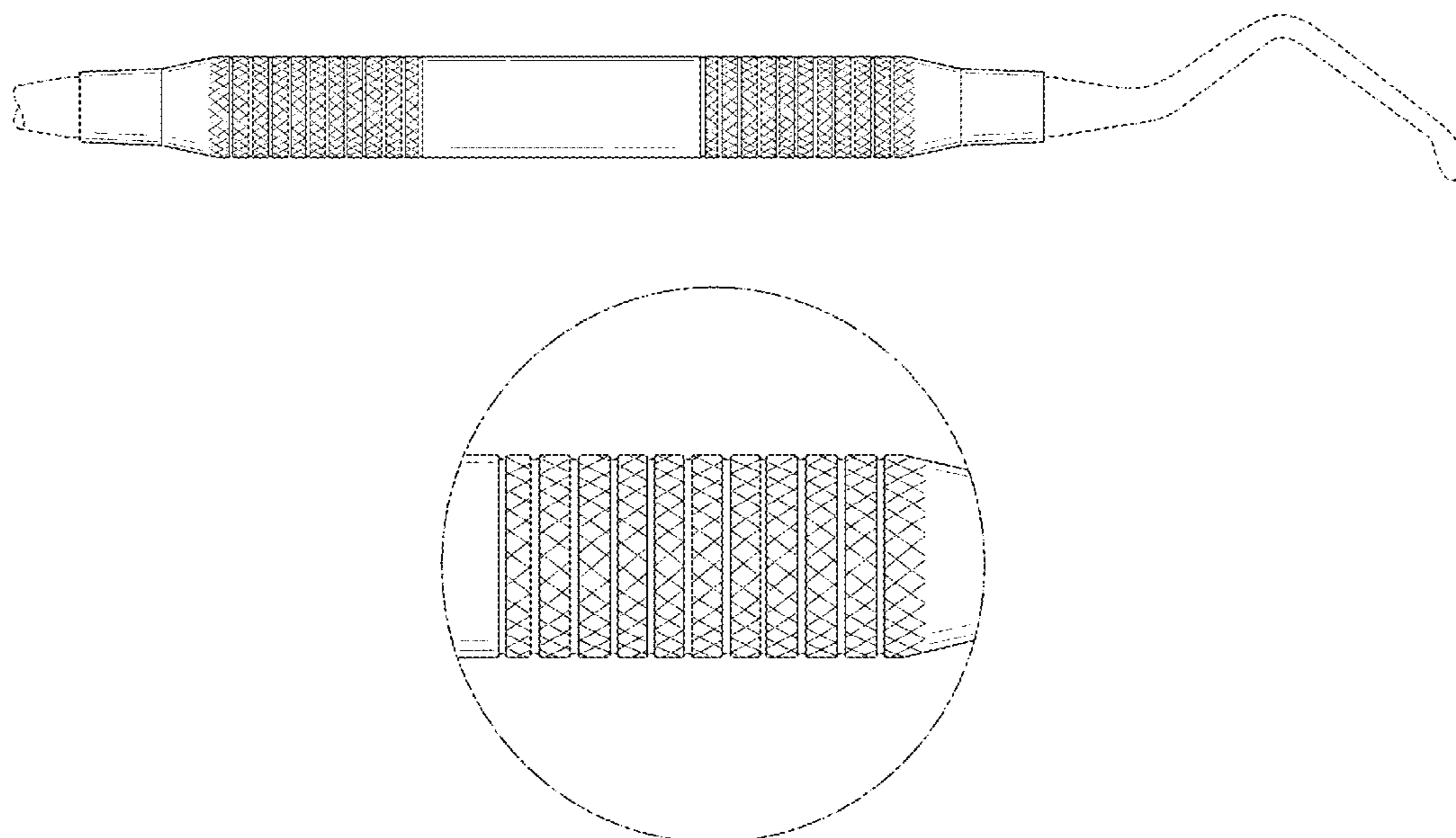
(52) **U.S. Cl.**
USPC **D24/152**

FIG. 1 is a side view of an embodiment of a dental tool handle, showing my new design;

(58) **Field of Classification Search**
USPC D24/133, 146–147, 149, 152, 154, 156,
D24/176; D28/57; 433/2–3, 29, 31, 86, 114,
433/119, 124–125, 140–143, 146–147
CPC A61C 3/00; A61C 17/00; A61C 17/005;
A61C 17/0202; A61C 1/10
See application file for complete search history.

FIG. 2 is an enlarged view of a portion of side view thereof; FIG. 3 is a first end view of the embodiment thereof; and, FIG. 4 is a second end view of the embodiment thereof. The broken lines of the figures represent the environmental structures for the illustrated dental tool handle, and form no part of the claimed invention.

1 Claim, 2 Drawing Sheets



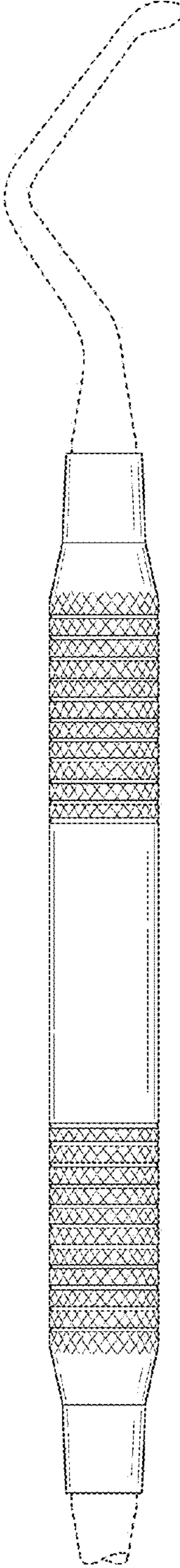


FIG. 1

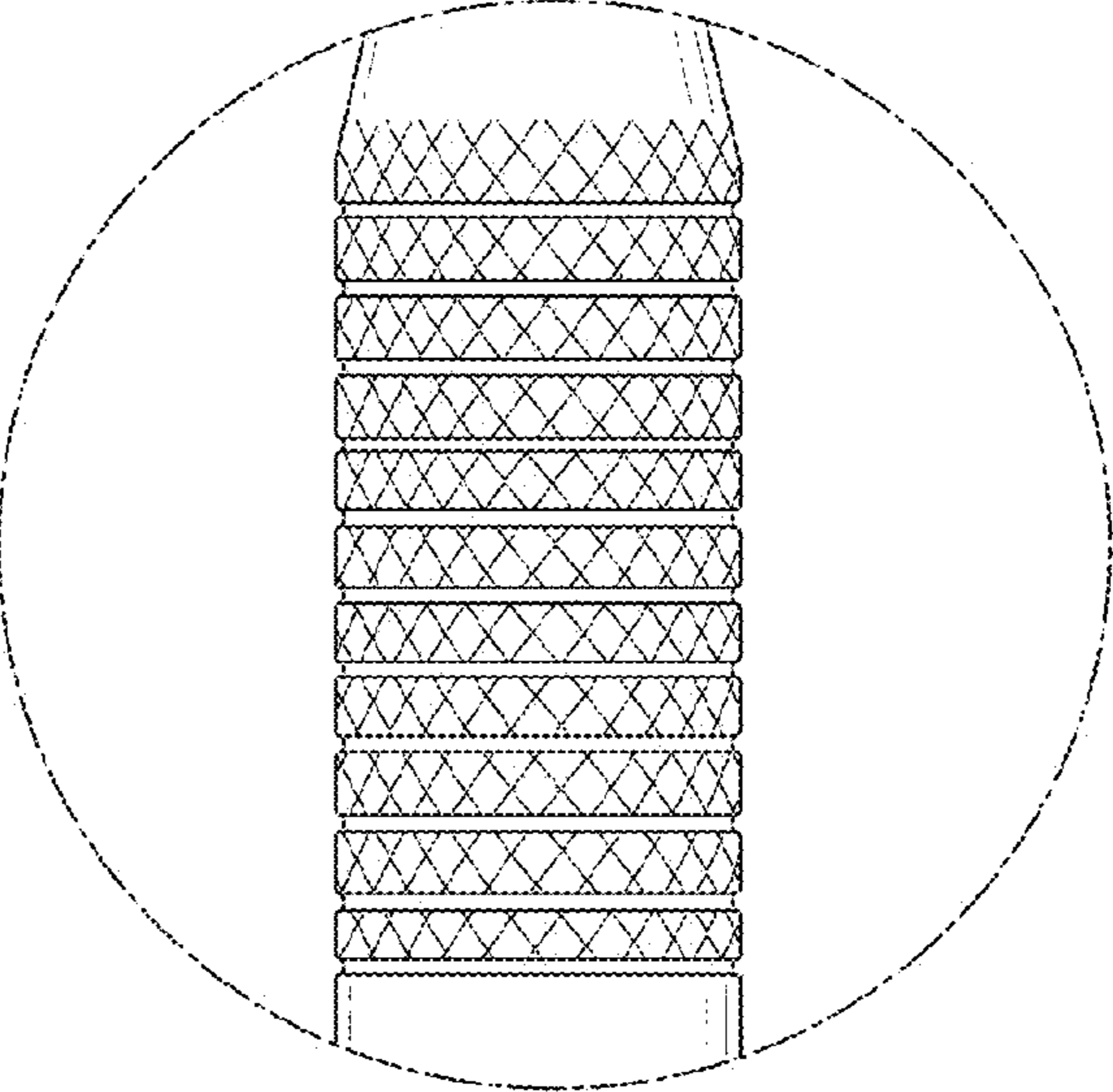


FIG. 2

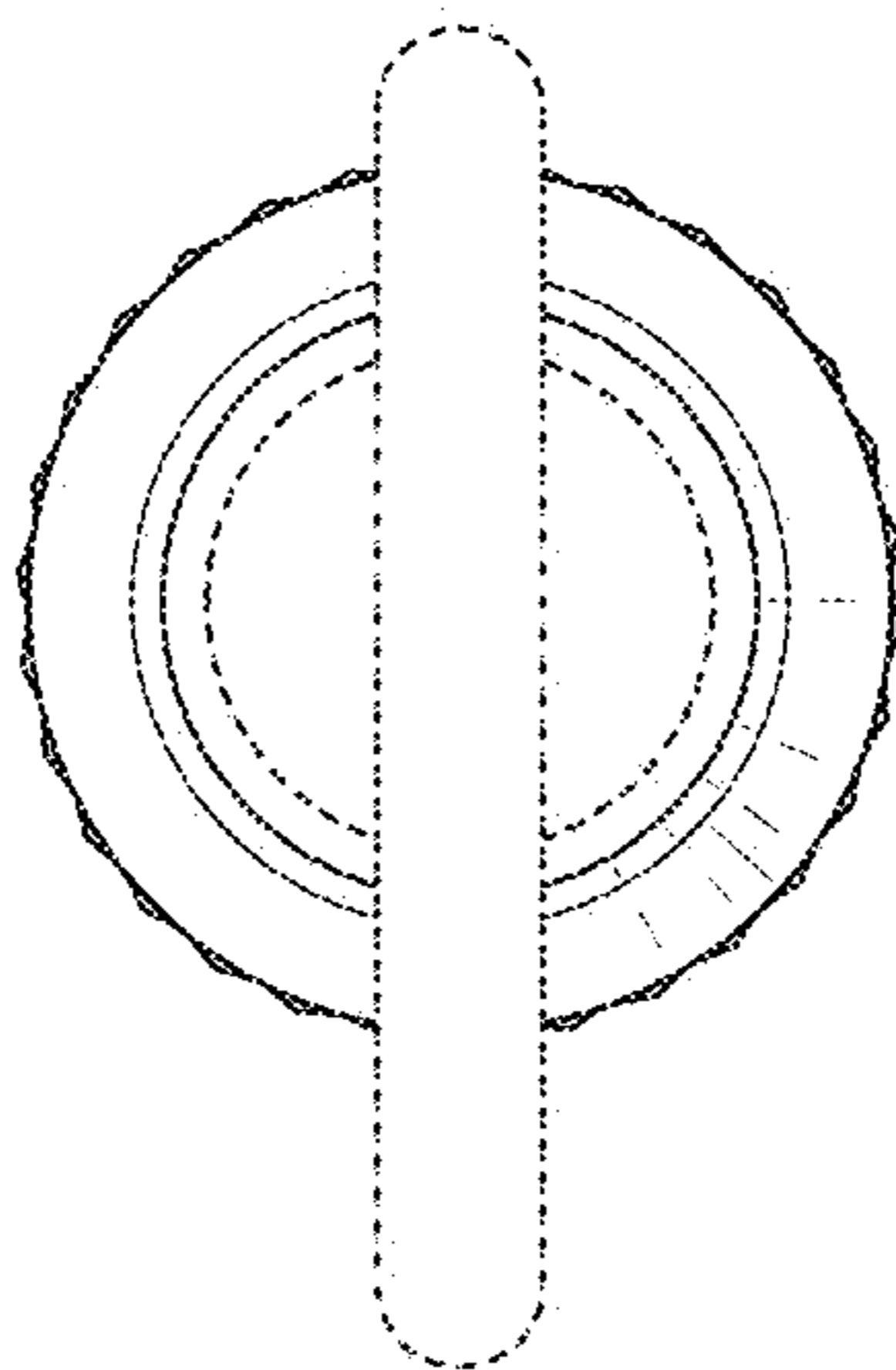


FIG. 3

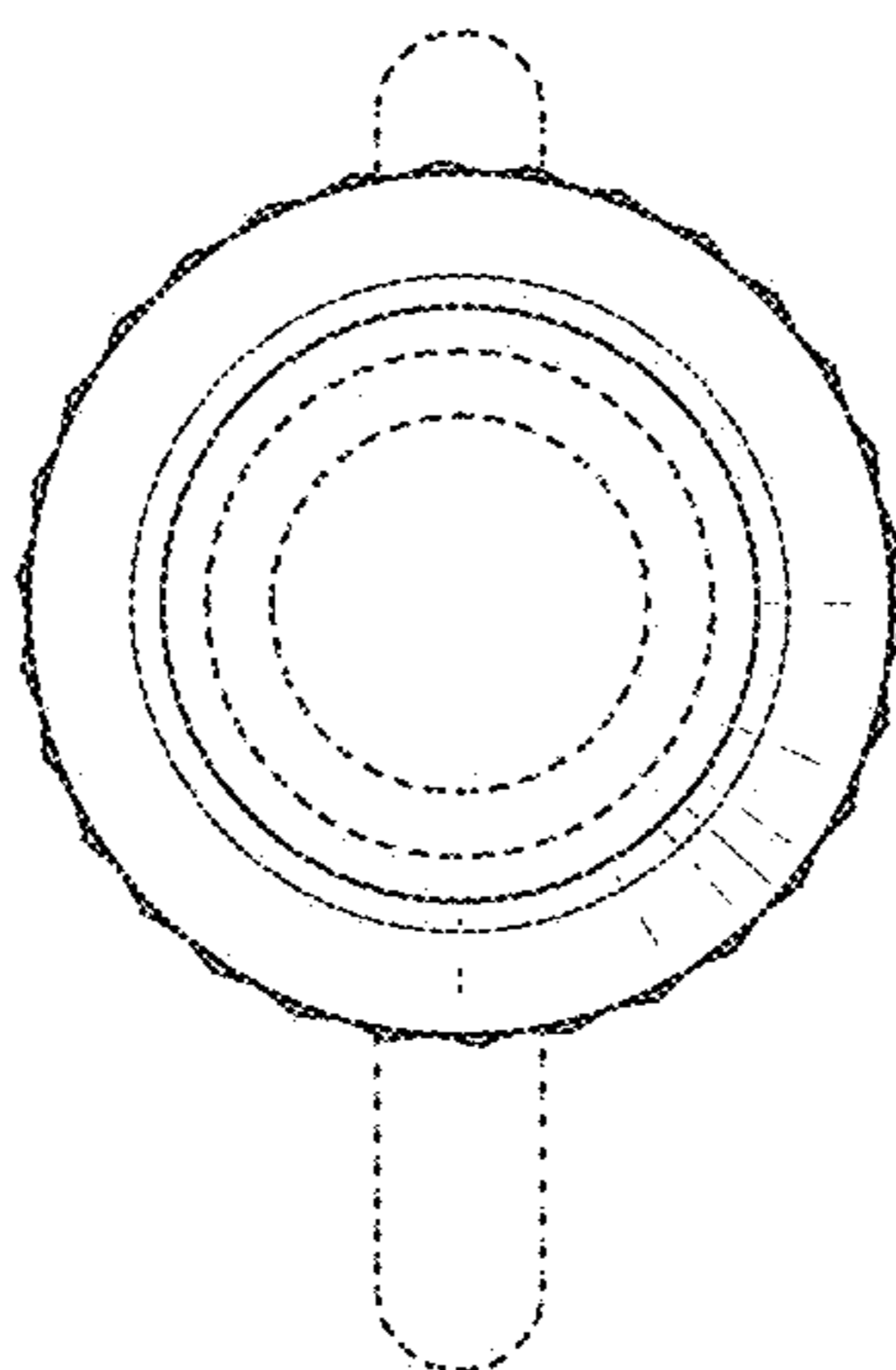


FIG. 4