



US00D743549S

(12) **United States Design Patent**
Sarig

(10) **Patent No.:** **US D743,549 S**

(45) **Date of Patent:** **** Nov. 17, 2015**

(54) **DENTAL DRILL**

(56) **References Cited**

(71) Applicant: **MIS IMPLANTS TECHNOLOGIES LTD., D.N. Misgav (IL)**

U.S. PATENT DOCUMENTS

(72) Inventor: **Dror Sarig, D.N. Misgav (IL)**

1,655,659	A *	1/1928	Nicolello	433/129
1,697,576	A *	1/1929	Shotton et al.	433/104
D326,213	S *	5/1992	Freilich	D8/82
5,562,696	A *	10/1996	Nobles et al.	606/185
5,624,459	A *	4/1997	Kortenbach et al.	606/185
5,938,679	A *	8/1999	Freeman et al.	606/181
D561,543	S *	2/2008	Callander	D8/14
D619,715	S *	7/2010	Kim	D24/147
D648,607	S *	11/2011	Tanger	D8/51
D655,005	S *	2/2012	Fischvogt	D24/146
D725,278	S *	3/2015	Gantes	D24/176
2005/0065543	A1 *	3/2005	Kahle et al.	606/190

(73) Assignee: **MIS Implants Technologies Ltd., D.N. Misgav (IL)**

(**) Term: **14 Years**

(21) Appl. No.: **29/489,207**

* cited by examiner

(22) Filed: **Apr. 28, 2014**

(30) **Foreign Application Priority Data**

Oct. 27, 2013 (IL) 54730

Primary Examiner — Robert M Spear

Assistant Examiner — Marissa J Cash

(51) **LOC (10) Cl.** **24-02**

(74) *Attorney, Agent, or Firm* — Rodney J. Fuller; Booth Udall Fuller, PLC

(52) **U.S. Cl.**
USPC **D24/146; D24/152**

(57) **CLAIM**

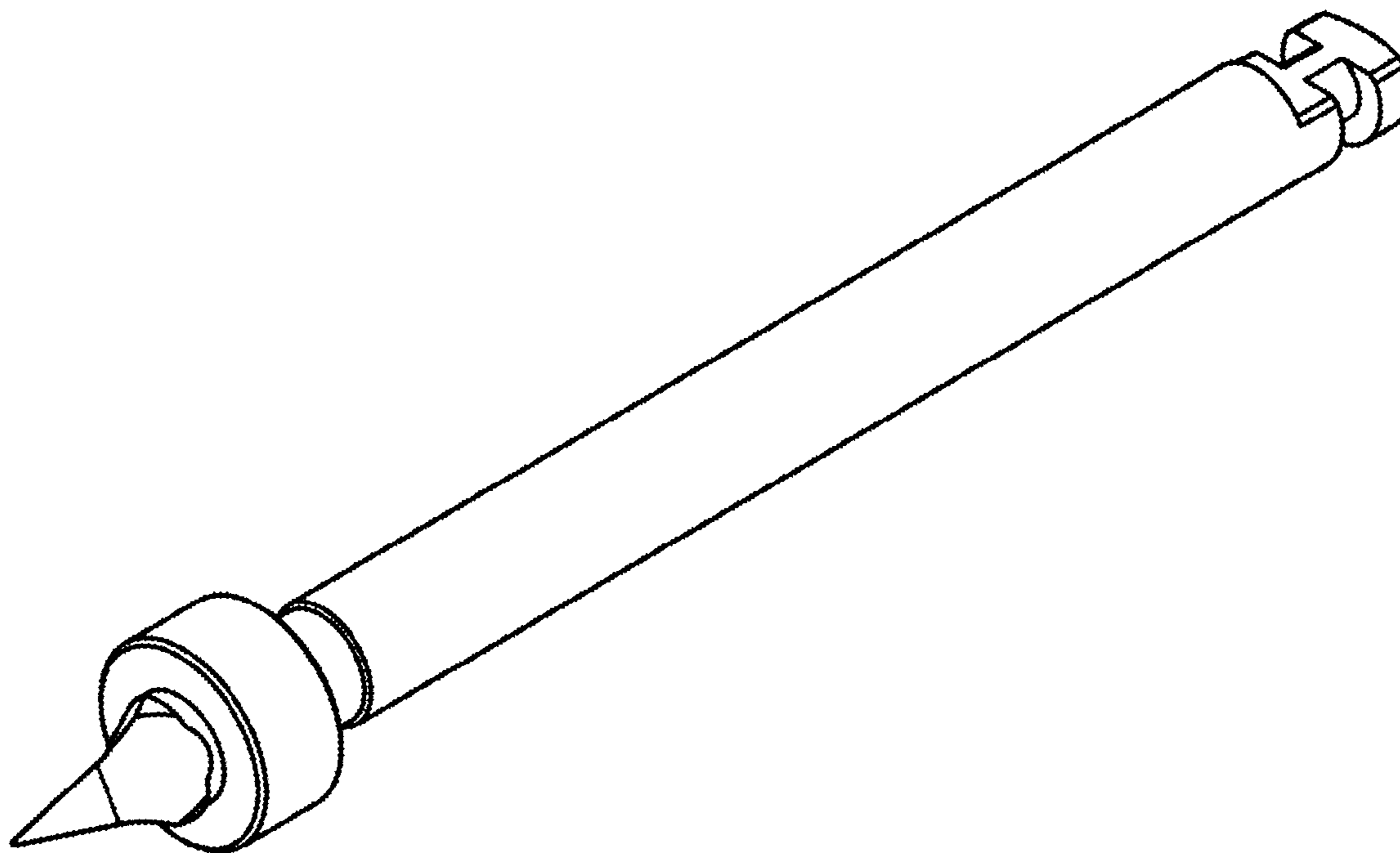
The ornamental design for a dental drill, as shown and described in the preceding Figures.

(58) **Field of Classification Search**
USPC D28/44, 45, 54.1, 56, 58, 59, 65;
D24/133, 146, 147, 152, 156, 173, 176,
D24/215; D8/40, 82, 90
CPC .. A46B 9/04; A46B 2200/1066; A61C 1/084;
A61C 8/0089; A61C 3/02; A61C 3/00
See application file for complete search history.

DESCRIPTION

FIG. 1 is a perspective view of a dental drill;
FIG. 2 is a side view thereof;
FIG. 3 is a front view thereof; and,
FIG. 4 is a close-up perspective view of the front end thereof.

1 Claim, 2 Drawing Sheets



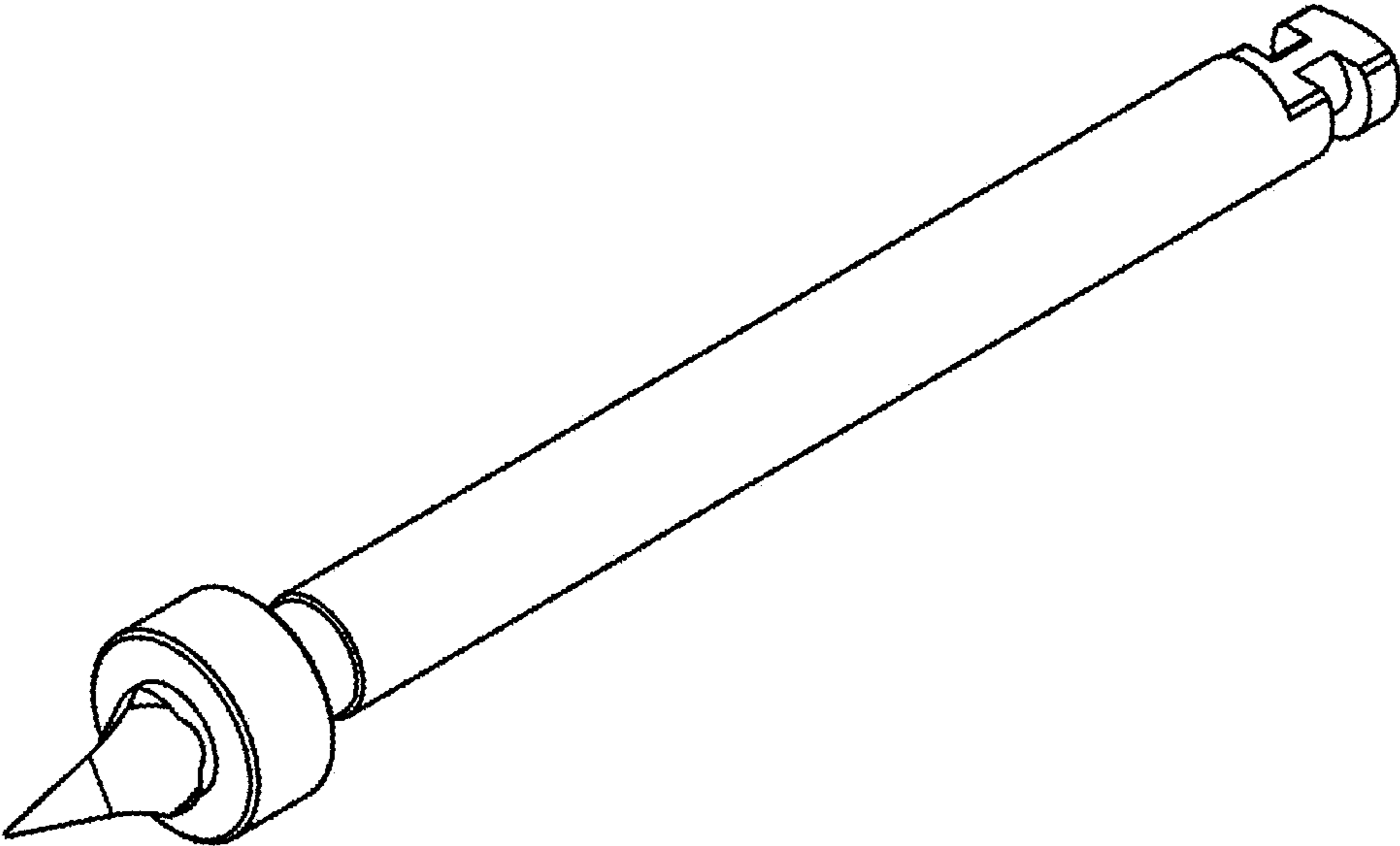


FIG. 1

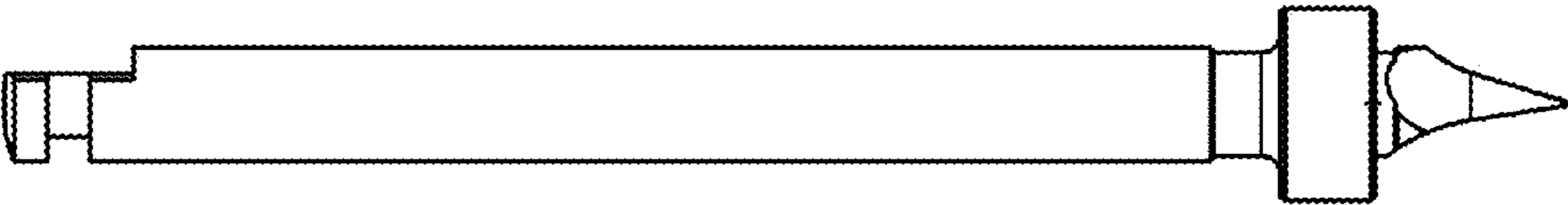


FIG. 2

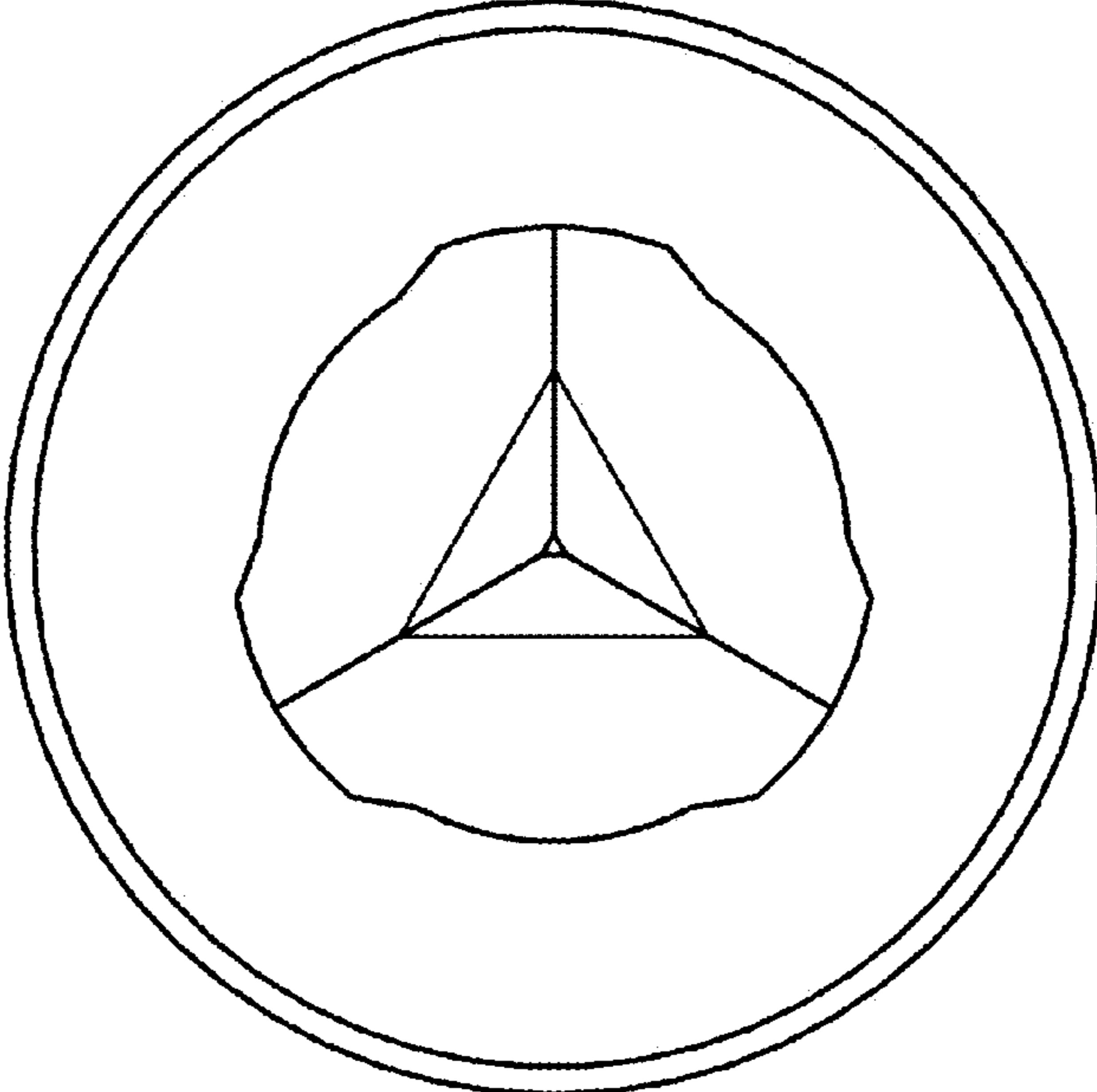


FIG. 3

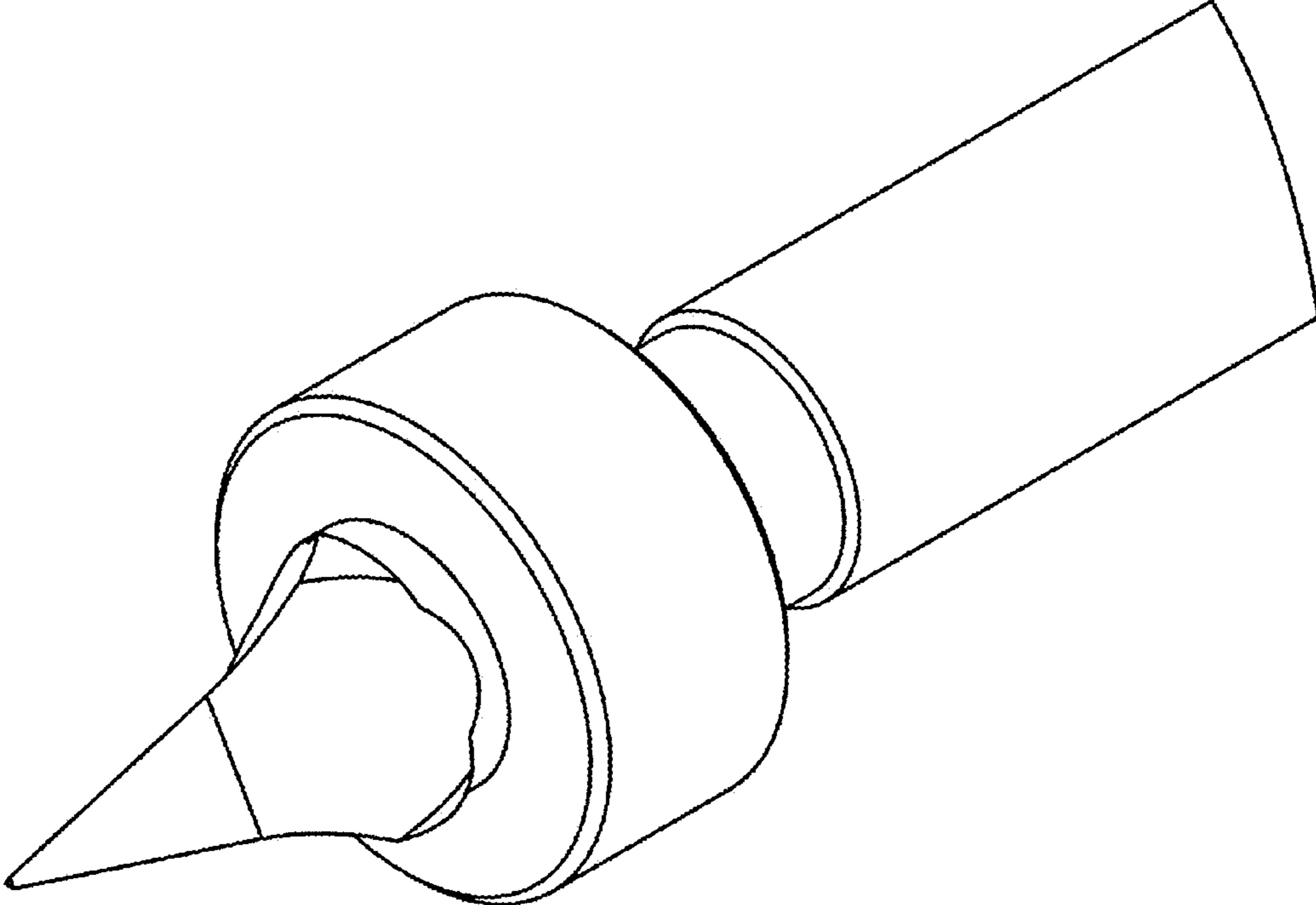


FIG. 4