



US00D743548S

(12) **United States Design Patent**  
**Huang**

(10) **Patent No.:** **US D743,548 S**

(45) **Date of Patent:** **\*\* Nov. 17, 2015**

(54) **TATTOO MACHINE**

(76) Inventor: **Eric Huang**, Temple City, CA (US)

(\*\*) Term: **14 Years**

(21) Appl. No.: **29/429,970**

(22) Filed: **Aug. 20, 2012**

(51) **LOC (10) Cl.** ..... **24-02**

(52) **U.S. Cl.**  
USPC ..... **D24/146**

(58) **Field of Classification Search**  
USPC ..... D24/127, 133, 140, 144, 145, 146, 147;  
606/167, 184, 185, 186; D8/8, 303;  
D19/174, 199  
CPC ..... A61B 1/05; A61B 1/07; A61B 17/1671;  
A61B 17/1617  
See application file for complete search history.

(56) **References Cited**

**U.S. PATENT DOCUMENTS**

4,159,659	A *	7/1979	Nightingale	81/9.22
5,054,339	A *	10/1991	Yacowitz	81/9.22
8,171,825	B1 *	5/2012	Adams	81/9.22
8,356,533	B2 *	1/2013	Forth	81/9.22
D714,439	S *	9/2014	Huang	D24/144
2002/0083798	A1 *	7/2002	Godoy et al.	81/9.22
2003/0050657	A1 *	3/2003	Evans	606/186
2008/0300615	A1 *	12/2008	Colton et al.	606/186
2009/0090218	A1 *	4/2009	Jarboe et al.	81/9.22
2010/0192730	A1 *	8/2010	Dubin	81/9.22

2011/0146454	A1 *	6/2011	Crockett	81/9.22
2011/0152911	A1 *	6/2011	Godoy et al.	606/186
2012/0209307	A1 *	8/2012	Snijders	606/186

**OTHER PUBLICATIONS**

“storm rotary” by the Tattoo Shop. dated 2012. found online [Mar. 13, 2015] [http://www.thetattooshop.com/shop/Limited\\_Edition-Storm\\_Rotary\\_Machine\\_in\\_Silver.html](http://www.thetattooshop.com/shop/Limited_Edition-Storm_Rotary_Machine_in_Silver.html).\*

\* cited by examiner

*Primary Examiner* — Robert M Spear

*Assistant Examiner* — Marissa J Cash

(74) *Attorney, Agent, or Firm* — QuickPatents; Kevin Prince

(57) **CLAIM**

I claim the ornamental design for a tattoo machine, as shown and described.

**DESCRIPTION**

FIG. 1 is a rear perspective view of a tattoo machine, showing my new design;

FIG. 2 is a front elevational view thereof;

FIG. 3 is a rear elevational view thereof;

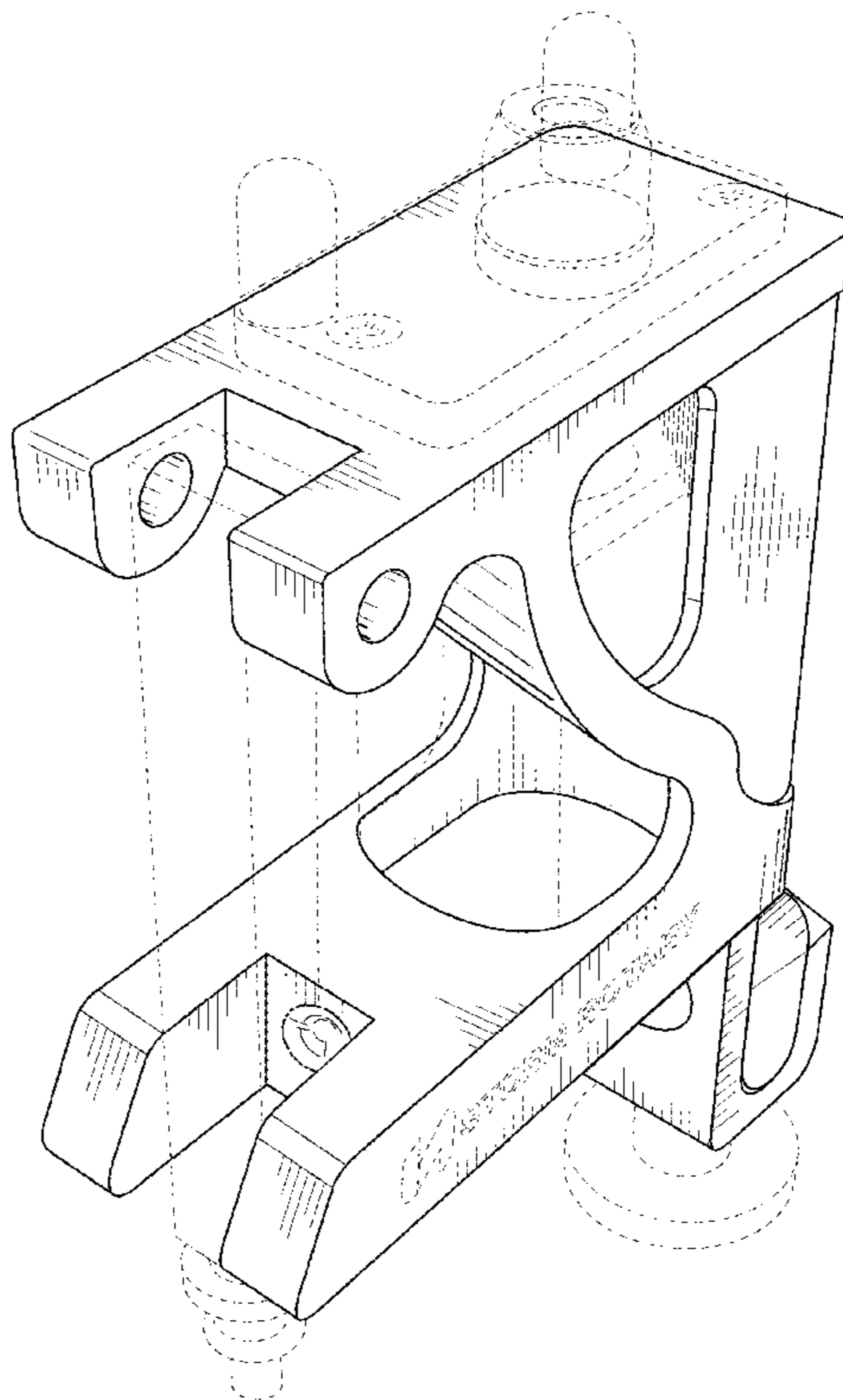
FIG. 4 is a left-side elevational view thereof, the right-side elevational view being a mirror image thereof;

FIG. 5 is a top plan view thereof; and,

FIG. 6 is a bottom plan view thereof.

The broken lines in the figures depict environmental matter and form no part of the claimed design.

**1 Claim, 4 Drawing Sheets**



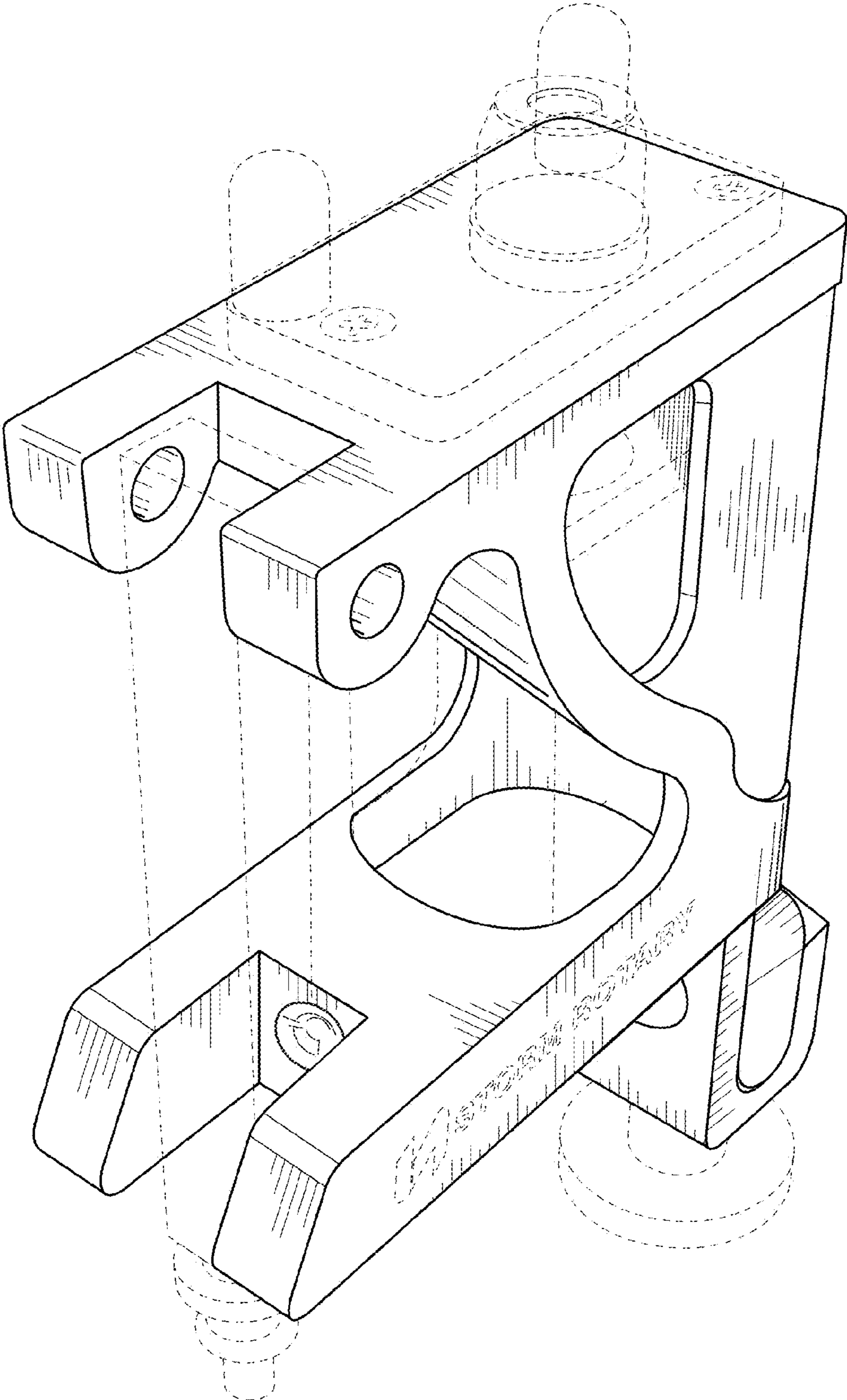


FIG. 1

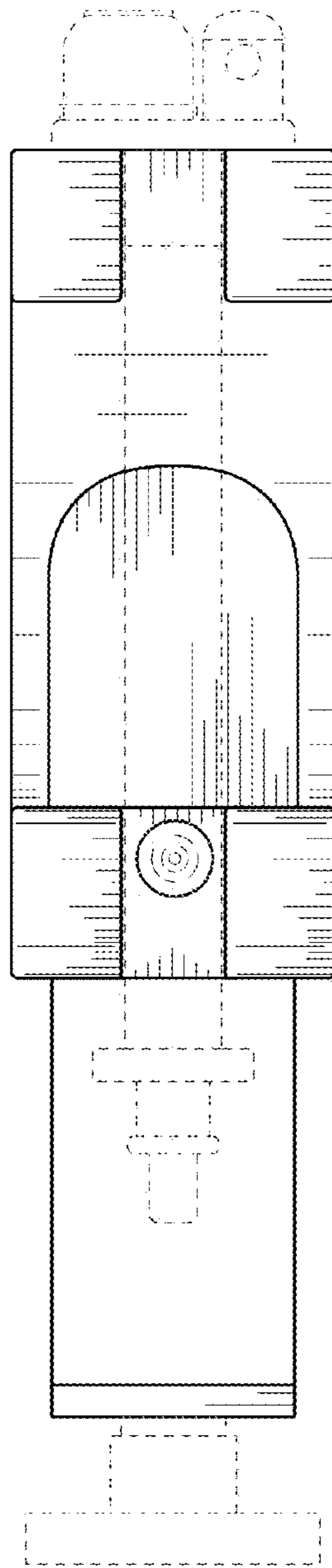


FIG. 2

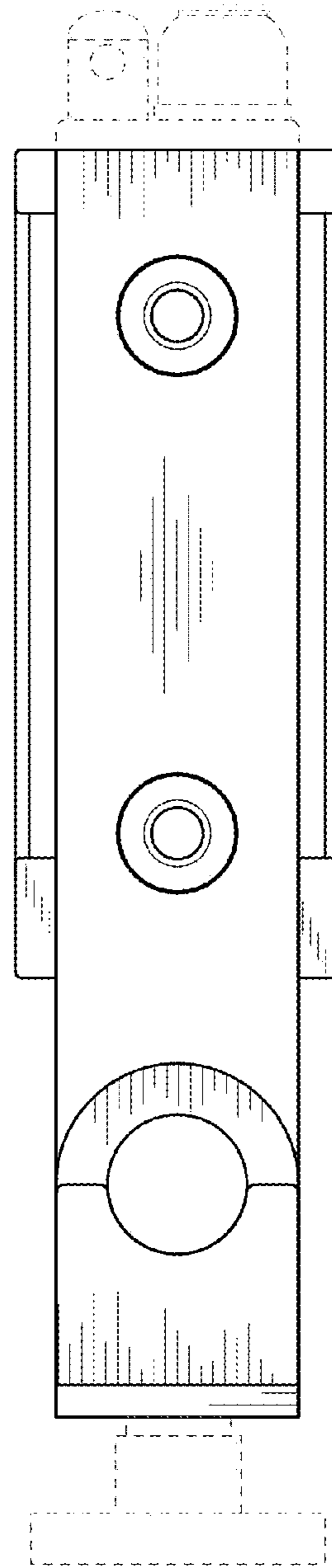


FIG. 3

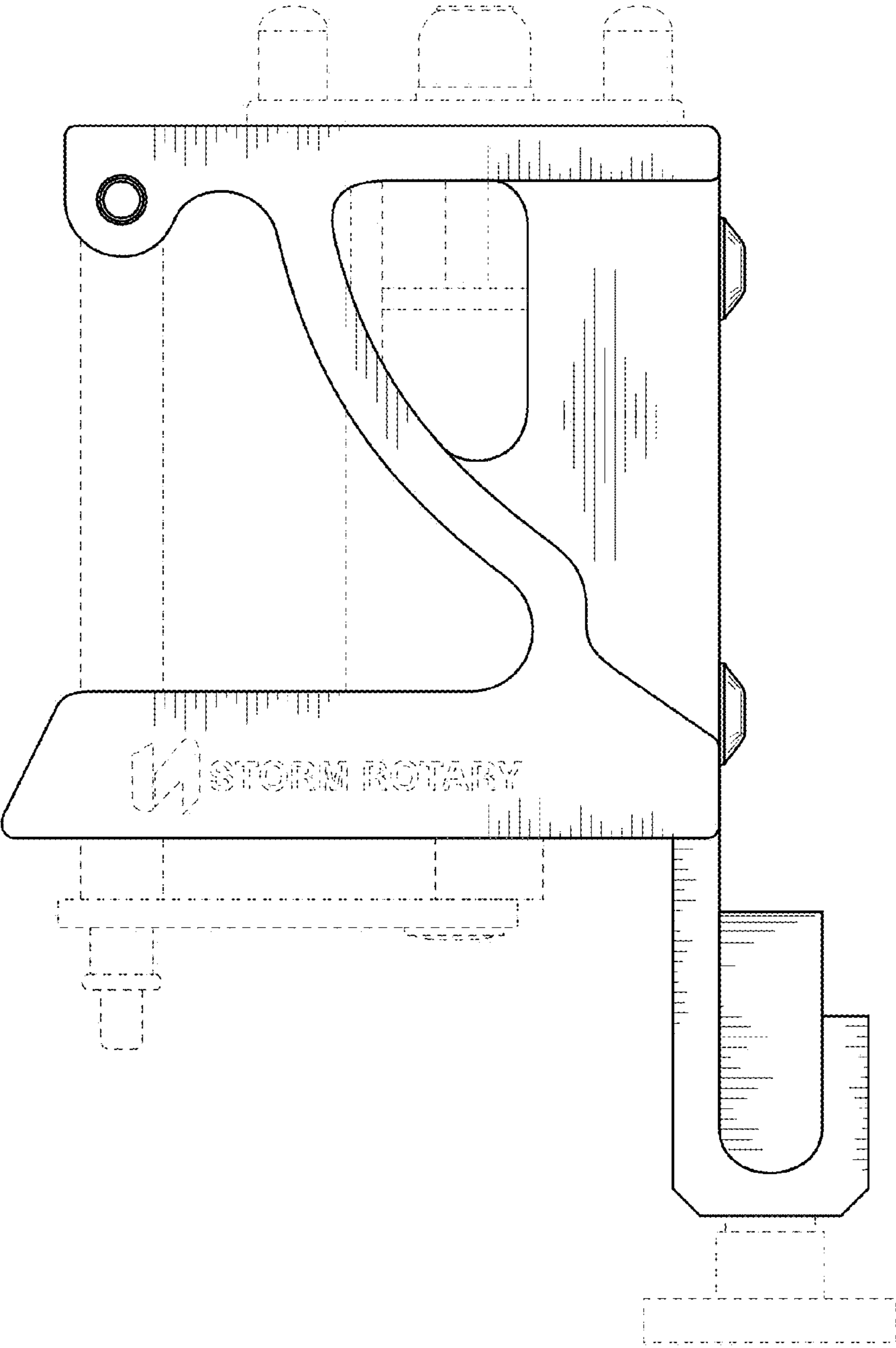


FIG. 4

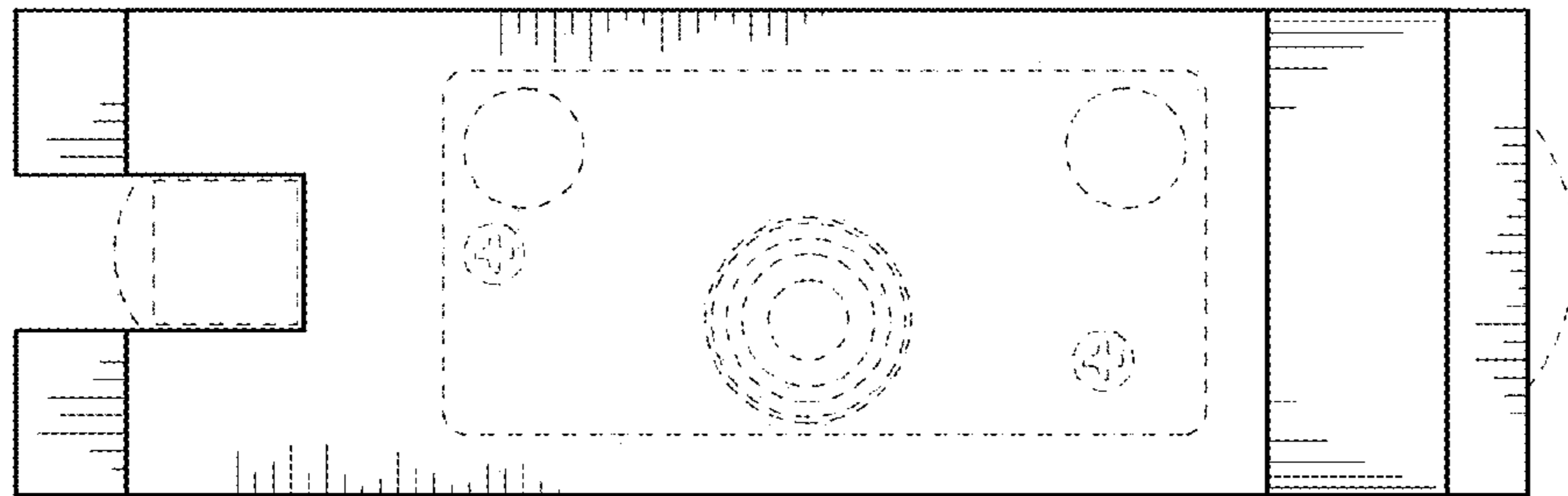


FIG. 5

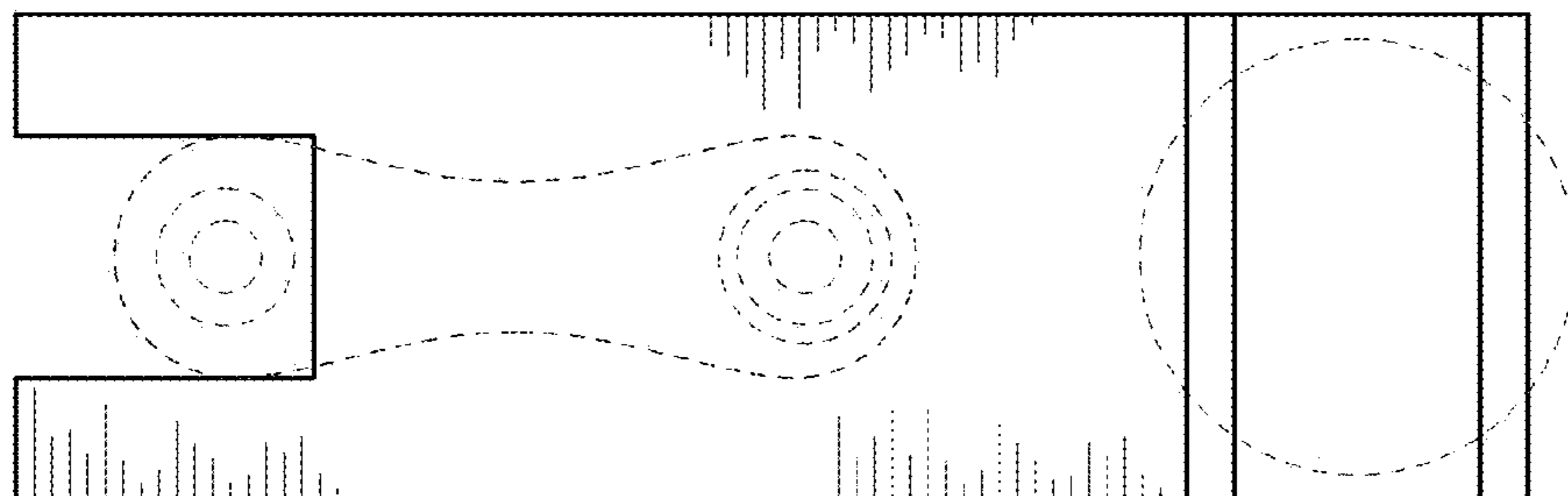


FIG. 6