



US00D743543S

(12) **United States Design Patent**  
**Degen**

(10) **Patent No.:** **US D743,543 S**

(45) **Date of Patent:** **\*\* Nov. 17, 2015**

(54) **CATHETER WITH STAGGERED SLITS**

(71) Applicant: **Sequana Medical AG**, Zug (CH)

(72) Inventor: **Thomas Degen**, Bermensdorf (CH)

(73) Assignee: **SEQUANA MEDICAL AG**, Zug (CH)

(\*\*) Term: **14 Years**

(21) Appl. No.: **29/436,050**

(22) Filed: **Oct. 31, 2012**

(51) **LOC (10) Cl.** ..... **24-01**

(52) **U.S. Cl.**

USPC ..... **D24/130**

(58) **Field of Classification Search**

USPC ..... D24/112–114, 127–131, 133, 186;  
606/181, 185; 604/264, 272, 115, 232,  
604/187, 158, 164.08, 192, 263, 163, 181,  
604/184, 198, 227; 600/101, 139, 143;  
128/200.24, 207.14, 207.15

See application file for complete search history.

(56) **References Cited**

**U.S. PATENT DOCUMENTS**

4,398,910 A 8/1983 Blake et al.  
4,465,481 A 8/1984 Blake  
D303,840 S \* 10/1989 Weilbacher ..... D24/112  
5,593,394 A \* 1/1997 Kanesaka et al. .... 604/524

(Continued)

**OTHER PUBLICATIONS**

U.S. Appl. No. 29/436,041, filed Oct. 31, 2002, Degen Thomas Werner.

*Primary Examiner* — David Muller

*Assistant Examiner* — Nathan Johnston

(74) *Attorney, Agent, or Firm* — Foley & Lardner LLP; Christopher C. Bolten; Nicola A. Pisano

(57) **CLAIM**

I claim the ornamental design for a catheter with staggered slits, as shown and described.

**DESCRIPTION**

FIG. 1 is an elevation view of a catheter with staggered slits showing my new design, in which the lighter lines in the region that is designated “FIG. 6” indicate a slit that is on the underside of the catheter;

FIG. 2 is an elevation view of the catheter showing additional detail in the region of FIG. 1 that is designated “FIG. 2”;

FIG. 3 is a cross-sectional view of the catheter taken along line 3-3 in FIG. 2;

FIG. 4 is an elevation view of the catheter showing additional detail in the region of FIG. 1 that is designated “FIG. 4”;

FIG. 5 is a cross-sectional view of the catheter taken along line 5-5 in FIG. 4;

FIG. 6 is an elevation view of the catheter showing additional detail in the region of FIG. 1 that is designated “FIG. 6”;

FIG. 7 is a cross-sectional view of the catheter taken along line 7-7 in FIG. 6;

FIG. 8 is an elevation view of the catheter showing additional detail in the region of FIG. 1 that is designated “FIG. 8,” and in which the lighter lines indicate slits that are on the underside of the catheter;

FIG. 9 is a cross-sectional view of the catheter taken along line 9-9 in FIG. 8;

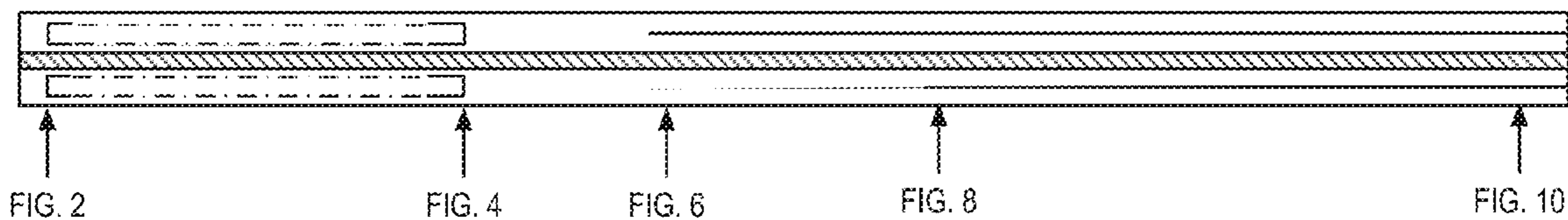
FIG. 10 is an elevation view of the catheter showing additional detail in the region of FIG. 1 that is designated “FIG. 10,” and in which the lighter lines indicate slits that are on the underside of the catheter; and,

FIG. 11 is a cross-sectional view of the catheter taken along line 11-11 in FIG. 10.

The interior edges of the slits and interior surface of the tube are not shown in the drawings for clarity of illustration.

The dash-dot lines in FIG. 1 show the boundaries of the claimed design within the interior of the catheter, and form no part of the claimed design.

**1 Claim, 6 Drawing Sheets**



(56)

**References Cited**

U.S. PATENT DOCUMENTS

5,676,670	A *	10/1997	Kim	606/108	7,311,690	B2	12/2007	Burnett	
5,713,864	A *	2/1998	Verkaart	604/113	7,335,179	B2	2/2008	Burnett	
6,099,513	A	8/2000	Spehalski		8,202,248	B2	6/2012	Burnett et al.	
6,146,354	A *	11/2000	Beil	604/28	8,398,577	B2	3/2013	Burnett	
6,478,789	B1	11/2002	Spehalski et al.		8,585,635	B2	11/2013	Degen et al.	
6,966,889	B2 *	11/2005	Saab	604/96.01	2002/0091352	A1	7/2002	McGuckin et al.	
6,976,973	B1	12/2005	Ruddell et al.		2007/0208323	A1 *	9/2007	Gregorich et al.	604/523
6,986,752	B2	1/2006	McGuckin et al.		2007/0233042	A1 *	10/2007	Moehle et al.	604/523
D558,338	S *	12/2007	Itoh	D24/130	2009/0054874	A1 *	2/2009	Barron et al.	604/524
D558,341	S	12/2007	Fujiwara et al.		2012/0209165	A1	8/2012	Degen et al.	
D558,342	S	12/2007	Fujiwara et al.		2013/0317476	A1 *	11/2013	Searle et al.	604/506
					2014/0121590	A1 *	5/2014	Degen	604/28
					2014/0213966	A1 *	7/2014	Ostapoff et al.	604/93.01

\* cited by examiner

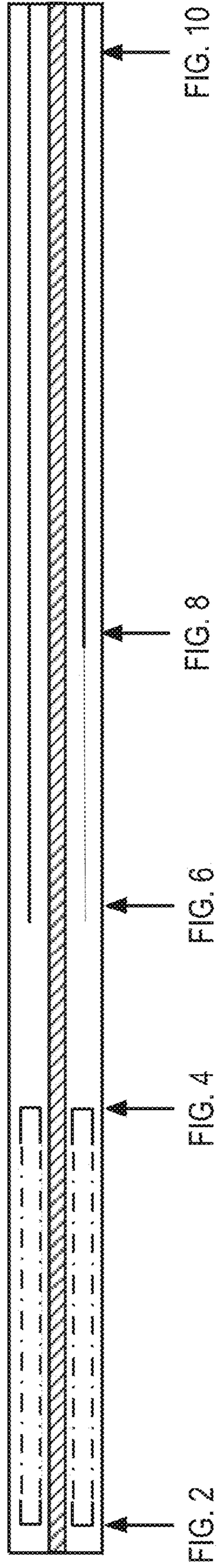
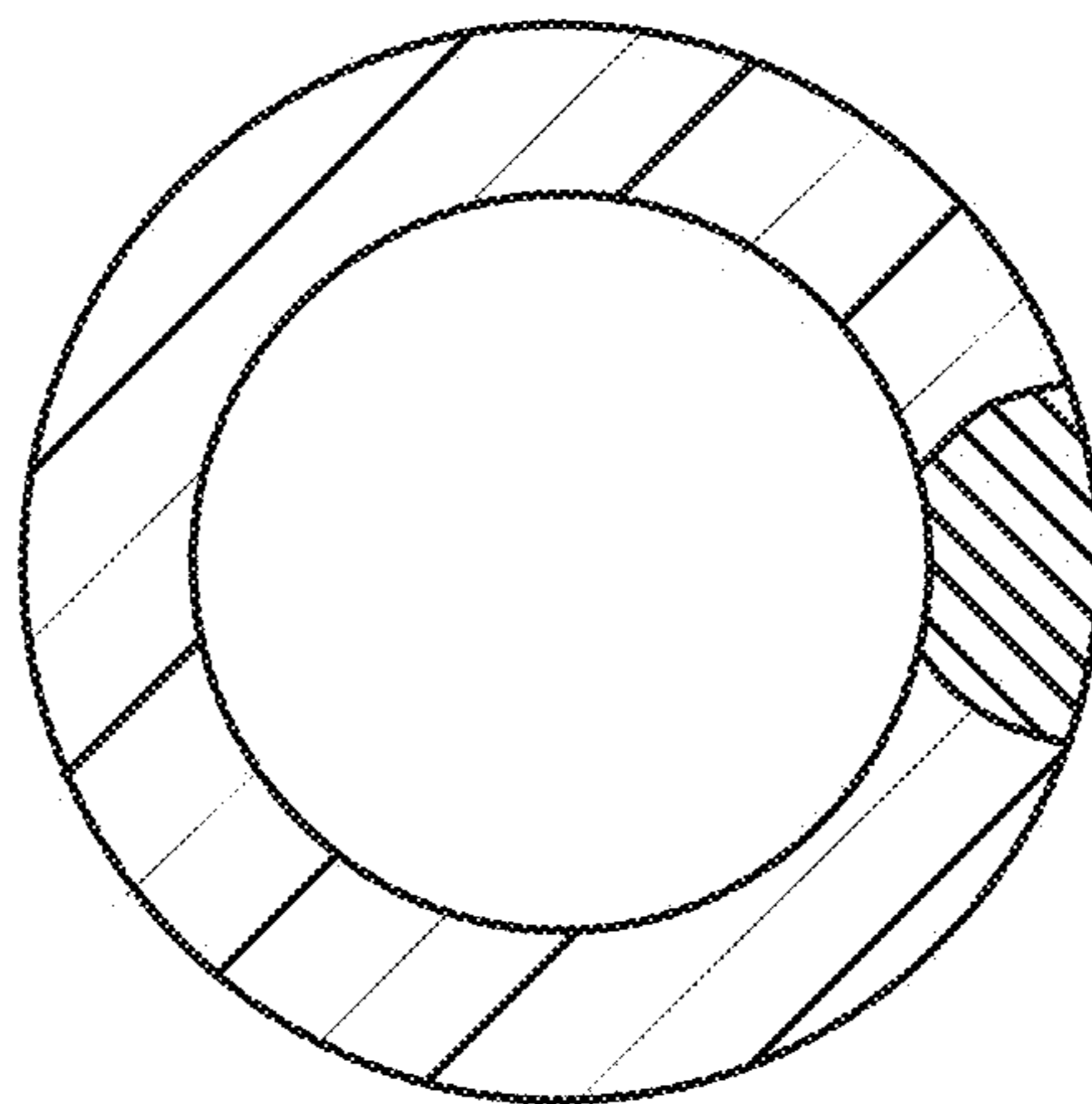
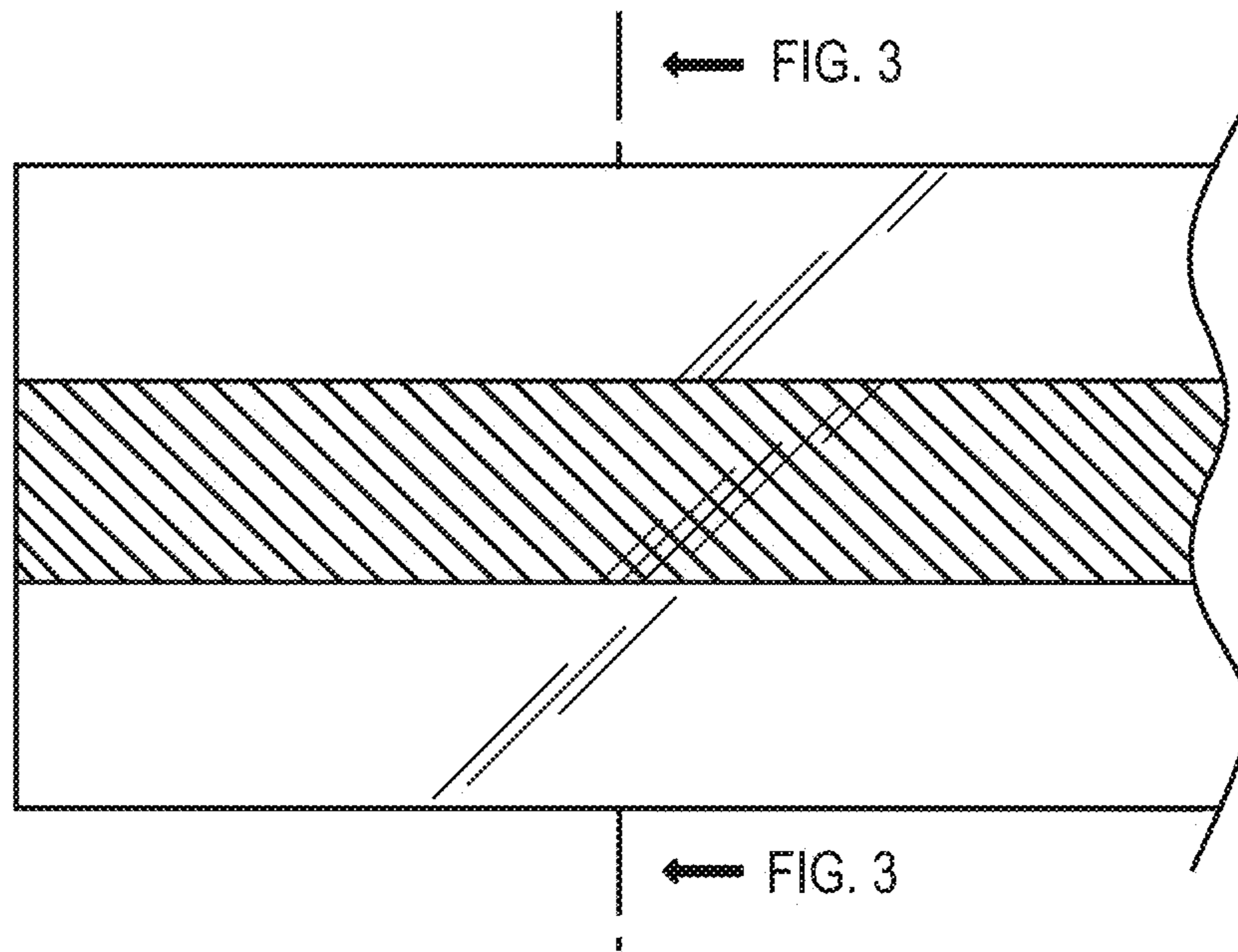


FIG. 1



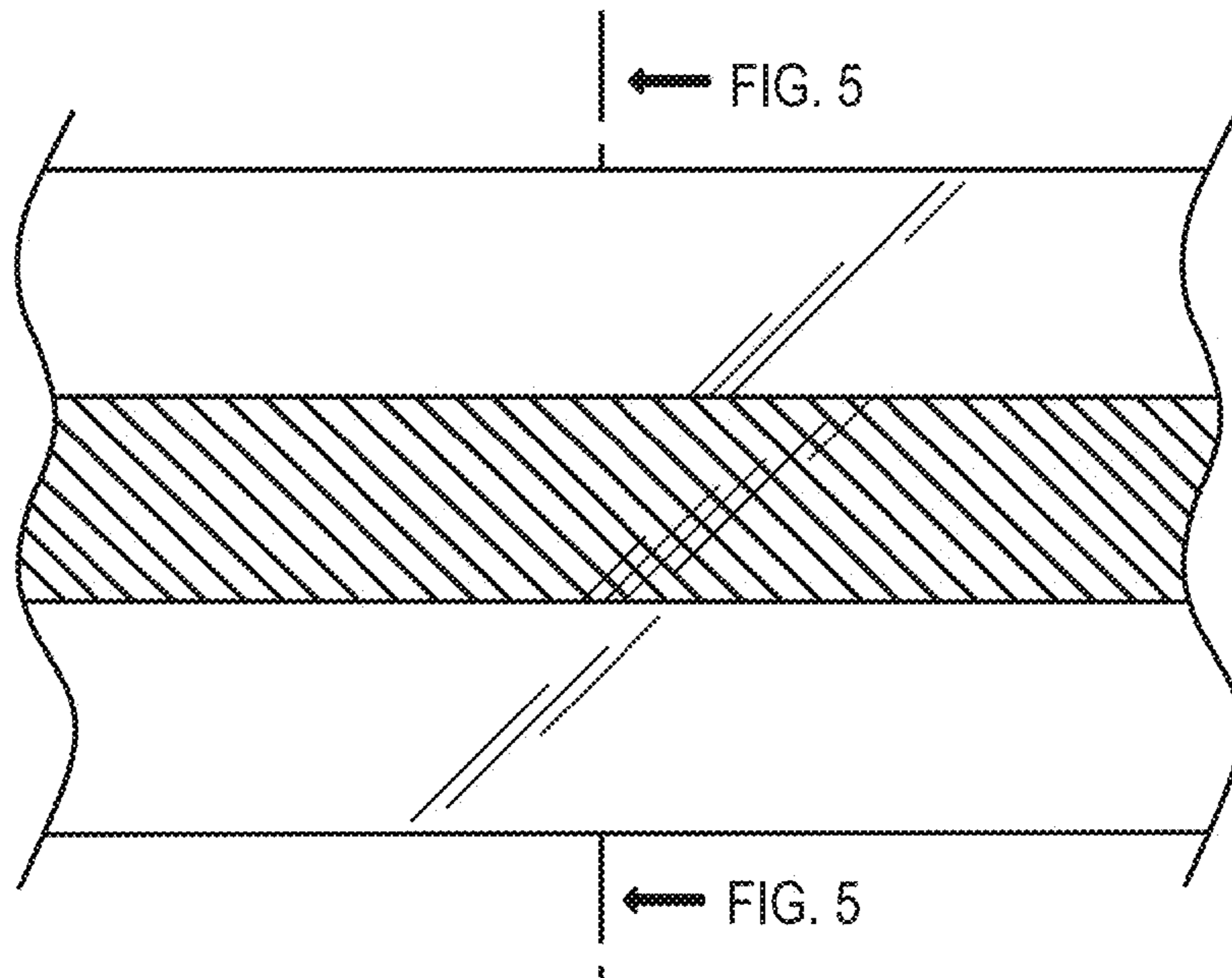


FIG. 4

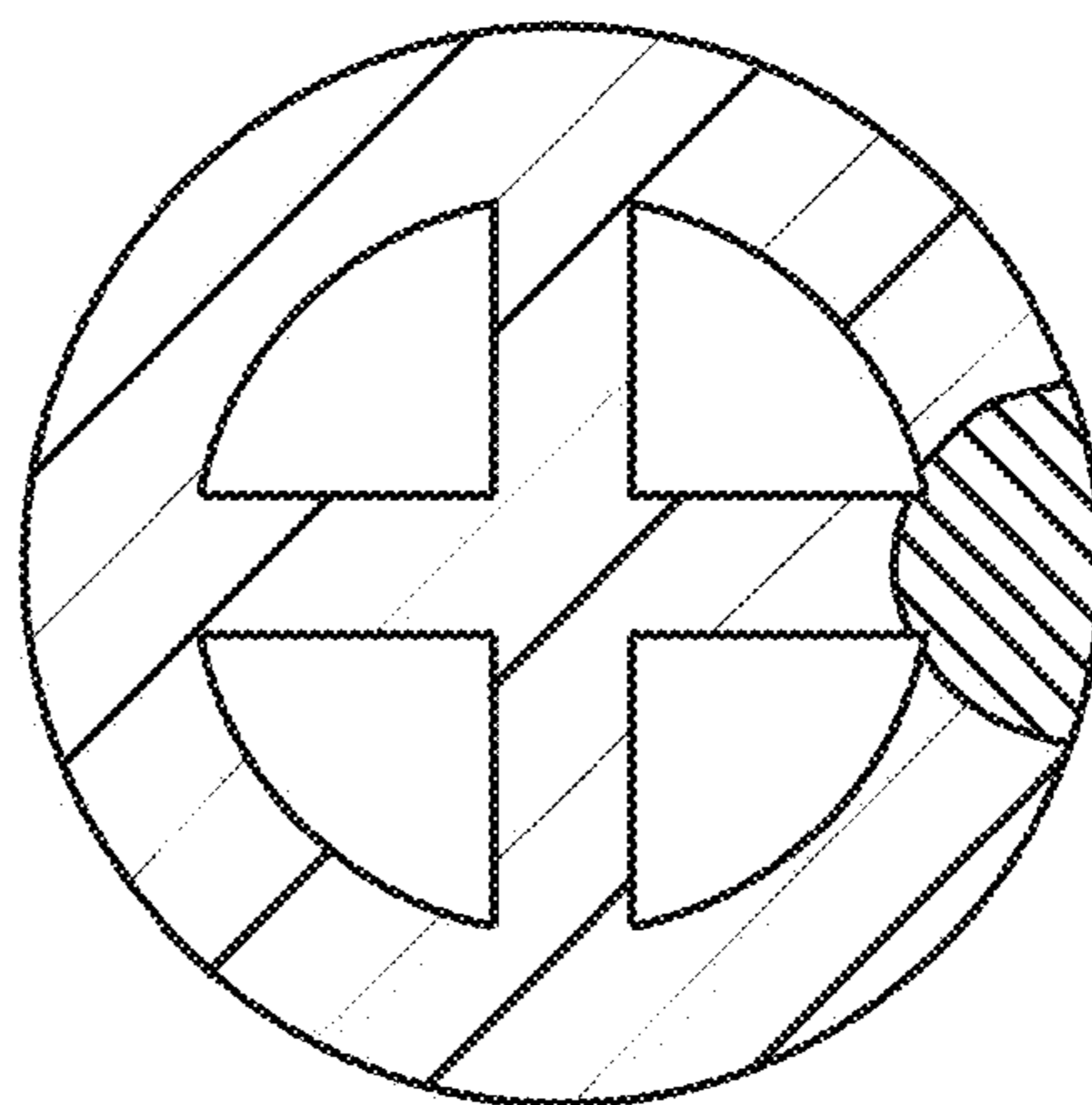


FIG. 5

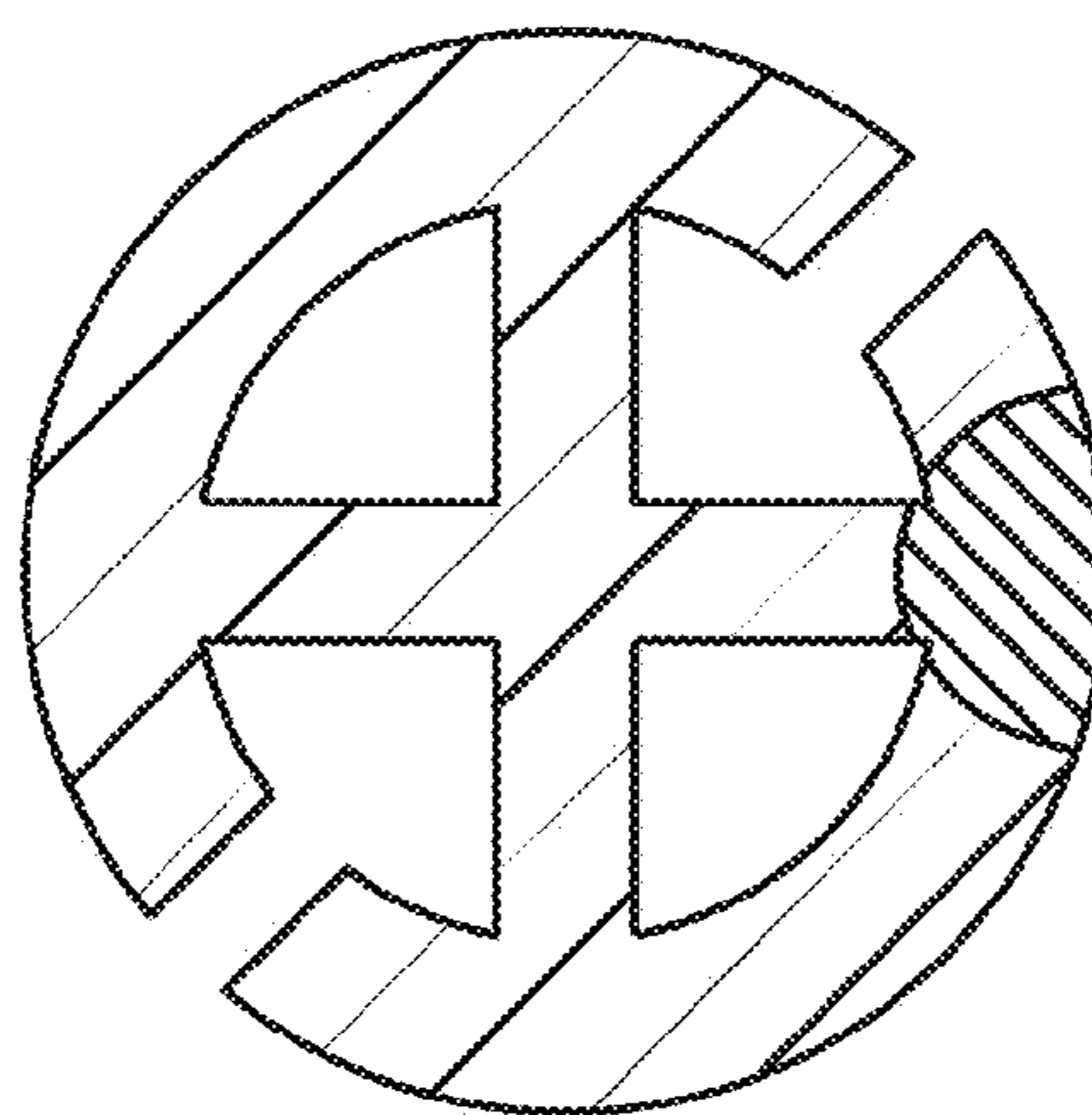
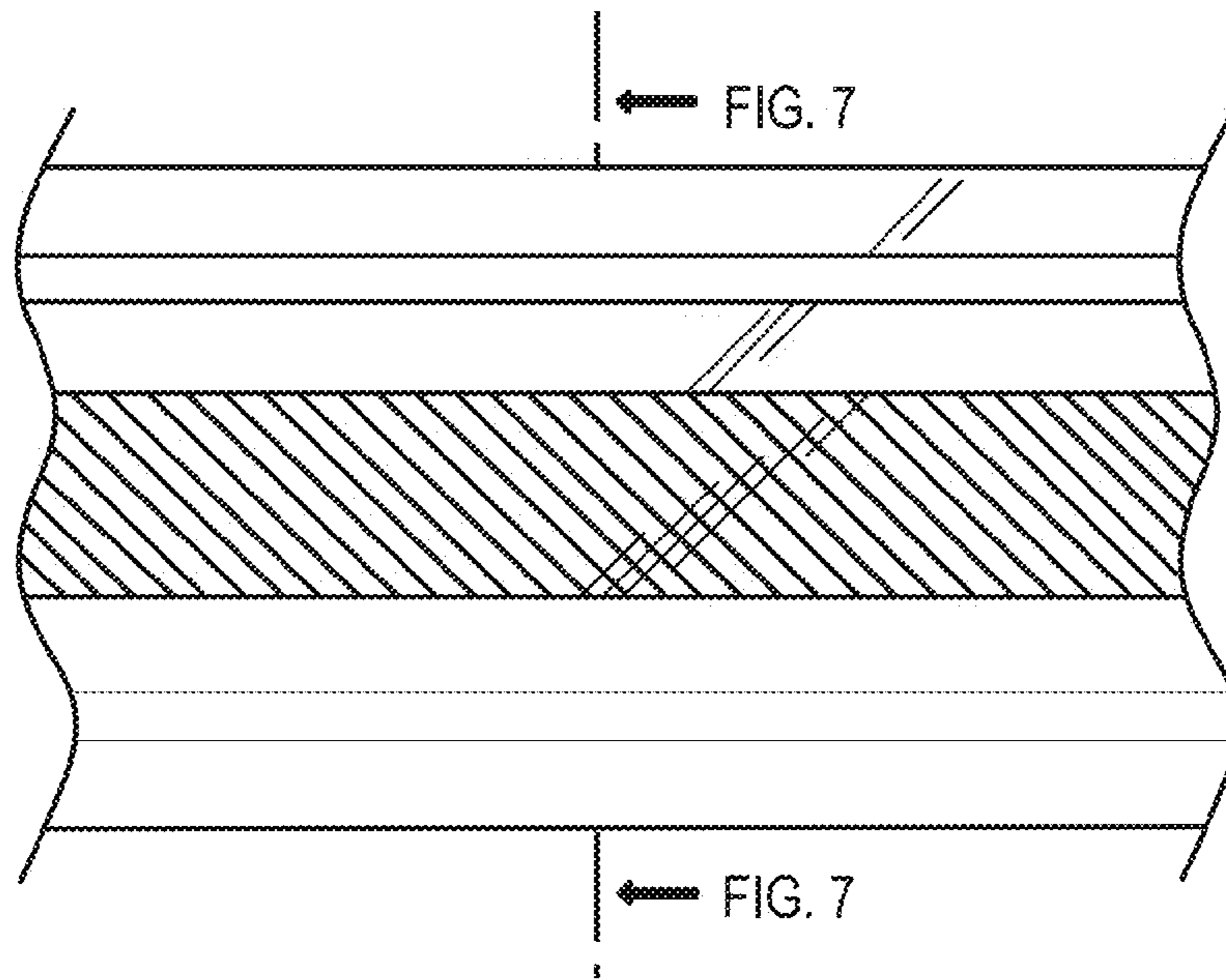


FIG. 7

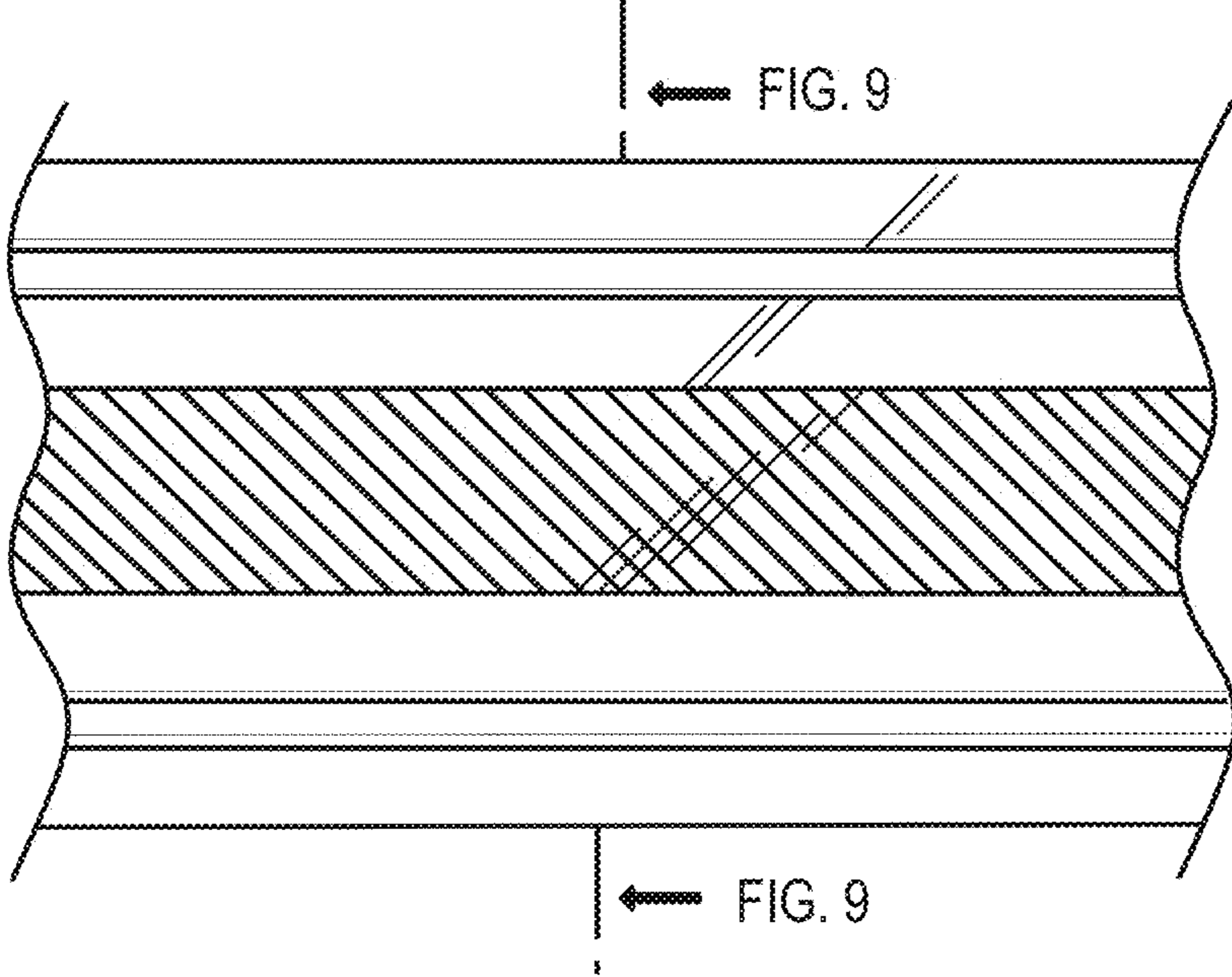


FIG. 8

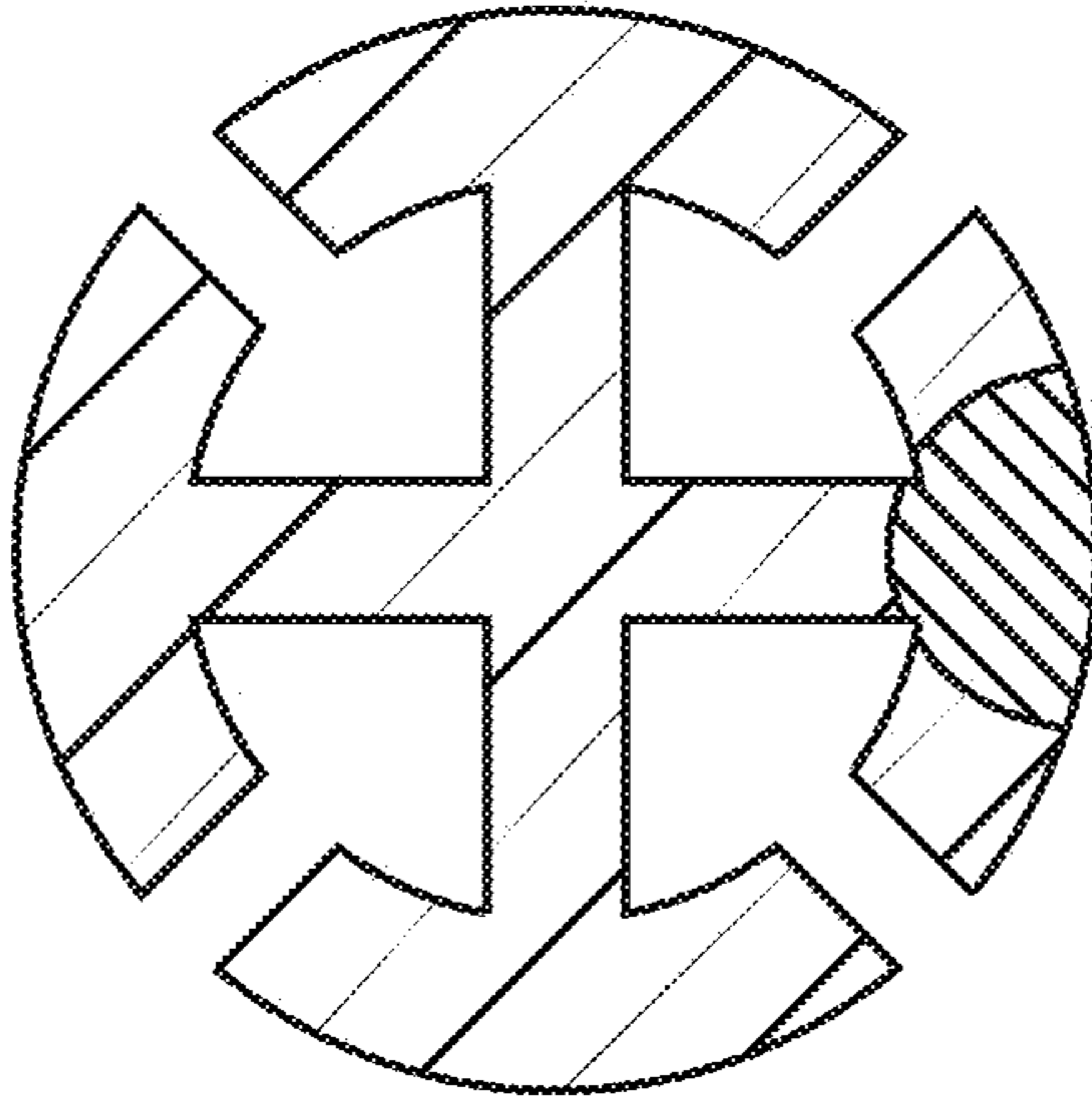


FIG. 9

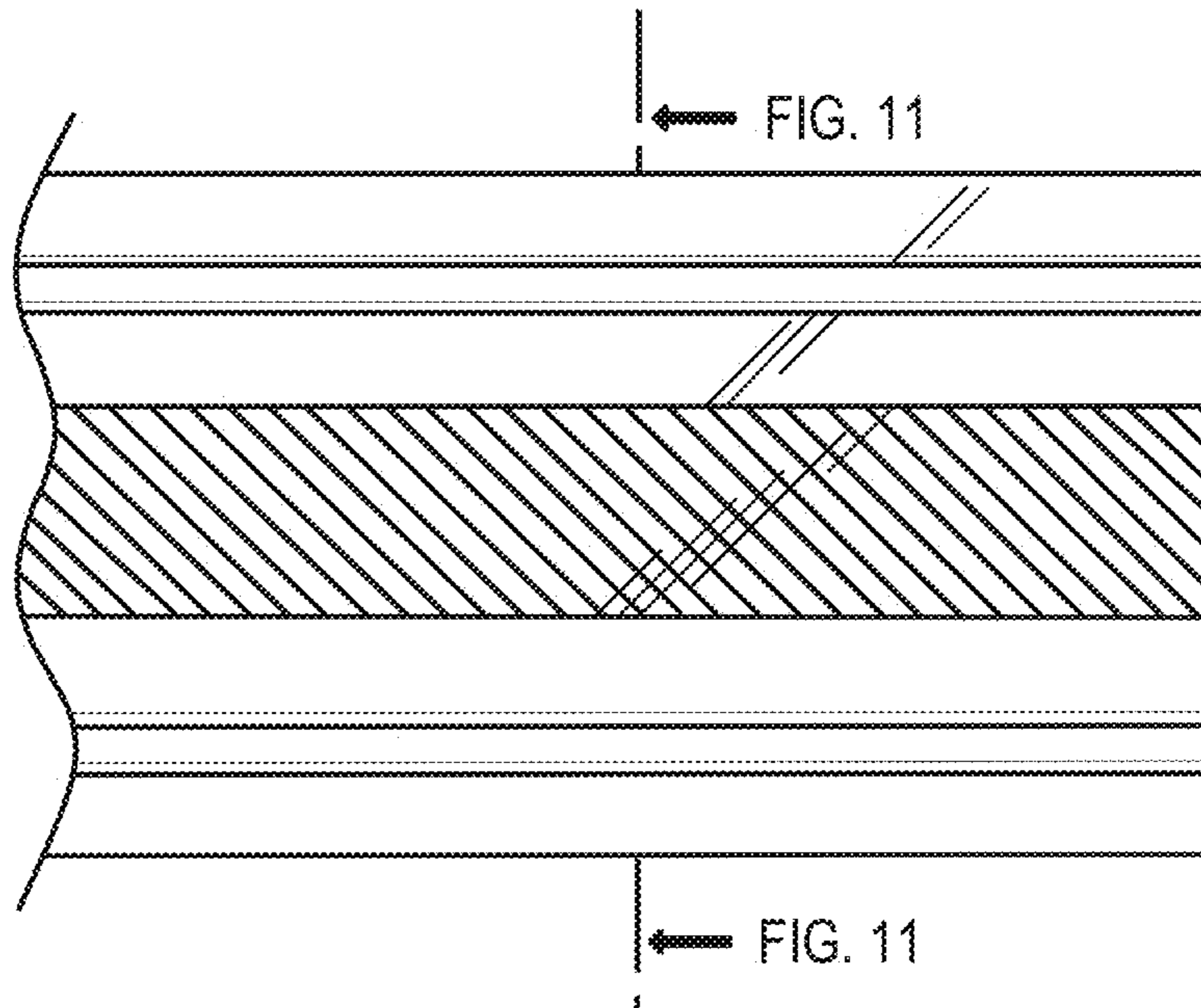


FIG. 10

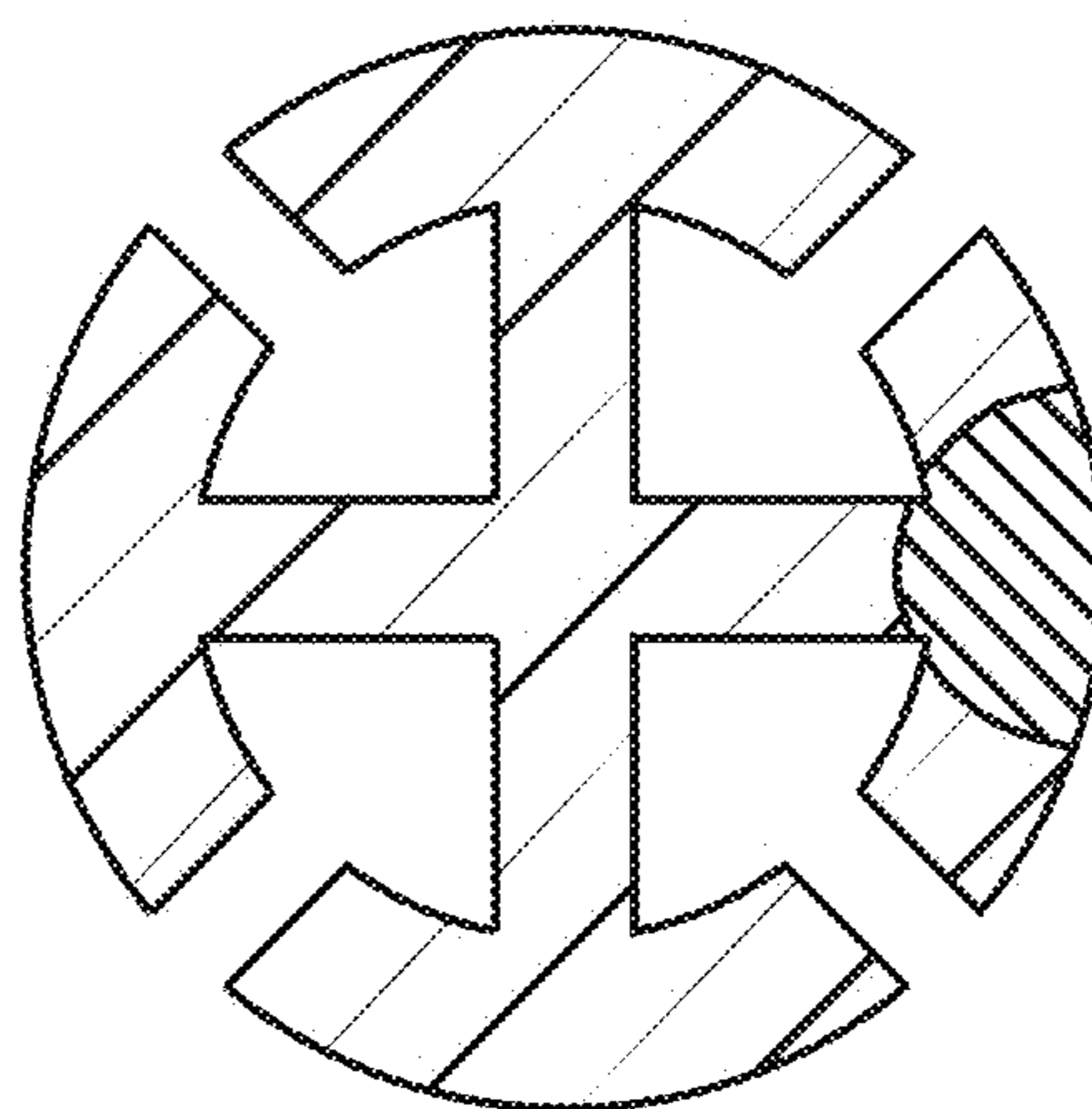


FIG. 11