



US00D743541S

(12) **United States Design Patent**
Serafini

(10) **Patent No.:** **US D743,541 S**
(45) **Date of Patent:** **** Nov. 17, 2015**

(54) **ARCUATE GUIDE FOR INTRAVENOUS TUBES**

(71) Applicant: **Henry P. Serafini**, Leominster, MA (US)

(72) Inventor: **Henry P. Serafini**, Leominster, MA (US)

(**) Term: **15 Years**

(21) Appl. No.: **29/540,129**

(22) Filed: **Sep. 21, 2015**

(51) **LOC (10) Cl.** **24-02**

(52) **U.S. Cl.**
USPC **D24/128; D8/356**

(58) **Field of Classification Search**
USPC D24/128, 127, 108, 107; 604/180;
D8/356
CPC . A61M 29/00; A61M 25/02; A61M 25/0133;
A61M 2025/024; A61M 2025/0266; A61M
5/00; A61M 2039/087
See application file for complete search history.

(56) **References Cited**

U.S. PATENT DOCUMENTS

3,324,853	A	6/1967	Czorny et al.
3,630,195	A	12/1971	Santomieri
3,870,043	A	3/1975	Dunn
3,942,528	A	3/1976	Loeser
D243,477	S	2/1977	Cutruzzula et al.
D290,041	S	5/1987	Scott
4,976,698	A	12/1990	Stokley
5,116,324	A	5/1992	Brierley et al.
5,147,320	A	9/1992	Reynolds et al.
5,693,032	A	12/1997	Bierman
5,722,959	A	3/1998	Bierman
6,526,981	B1	3/2003	Rozier et al.
7,361,169	B2	4/2008	Reilly
D569,506	S	5/2008	Dikeman et al.

7,678,083	B2	3/2010	Stephens
D623,502	S *	9/2010	Blonder D8/356
D639,147	S *	6/2011	Surles D8/356
D646,555	S *	10/2011	Galle D8/356
D670,995	S *	11/2012	Stieler D8/356
D687,546	S *	8/2013	Baid D24/128
D704,828	S *	5/2014	Lin D24/127
D715,427	S	10/2014	Jovet-Hug et al.
D715,623	S *	10/2014	Holtby D8/356
D732,935	S *	6/2015	Egami D8/356
9,089,198	B1 *	7/2015	Devereaux A45F 5/022
2010/0298813	A1	11/2010	Kudo
2013/0211382	A1	8/2013	Mouri et al.
2015/0217103	A1	8/2015	Serafini

FOREIGN PATENT DOCUMENTS

FR 723464 4/1932

* cited by examiner

Primary Examiner — Cynthia Underwood

(74) *Attorney, Agent, or Firm* — Thomas P. O'Connell;
O'Connell Law Firm

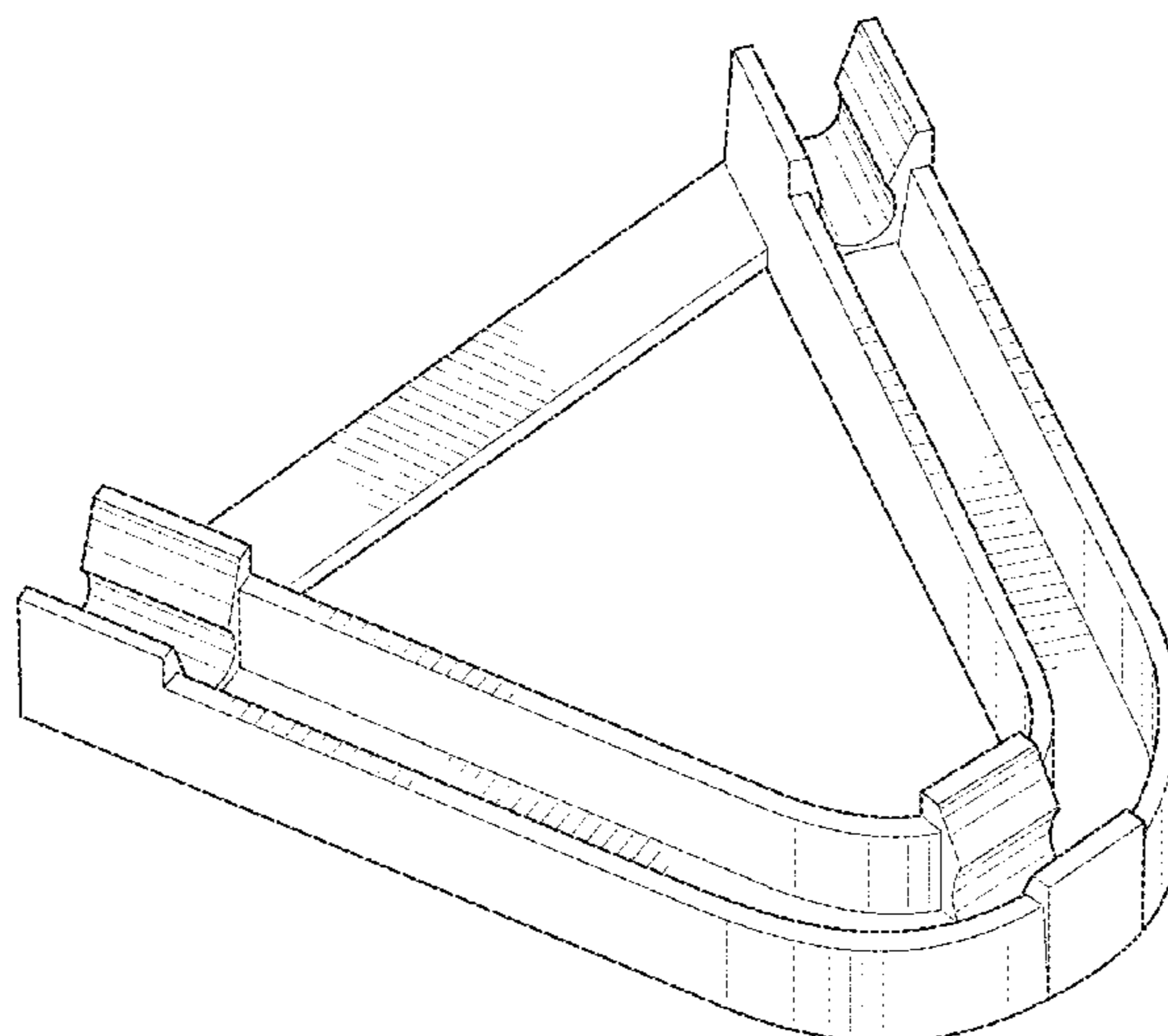
(57) **CLAIM**

I claim the ornamental design for an arcuate guide for intravenous tubes, as shown and described.

DESCRIPTION

FIG. 1 is a perspective view of an arcuate guide for intravenous tubes showing my design;
FIG. 2 is a top plan view thereof;
FIG. 3 is a bottom plan view thereof;
FIG. 4 is a view in rear elevation thereof;
FIG. 5 is a view in front elevation thereof;
FIG. 6 is a right side elevational view thereof; and,
FIG. 7 is a left side elevational view thereof.

1 Claim, 4 Drawing Sheets



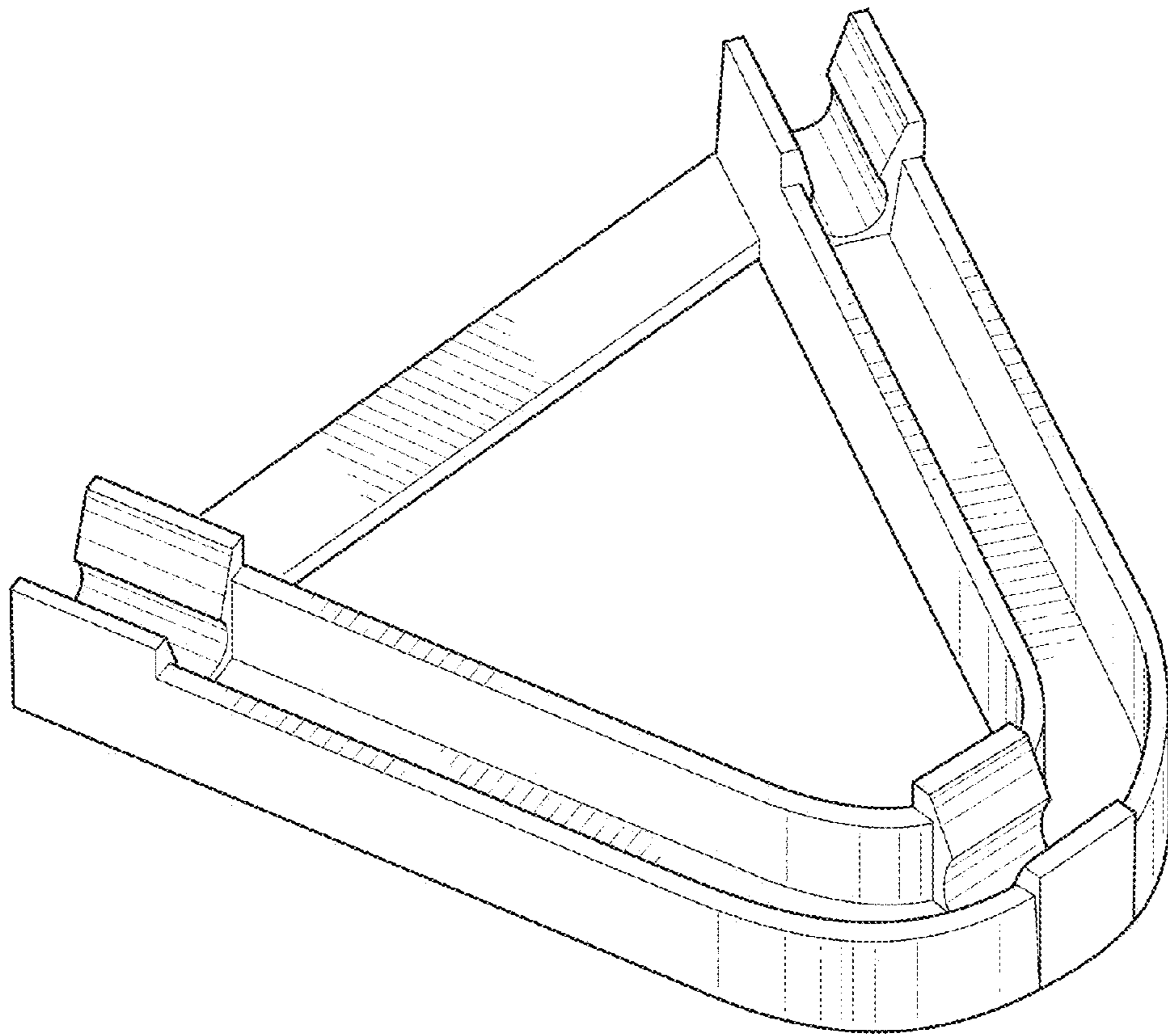


FIG. 1

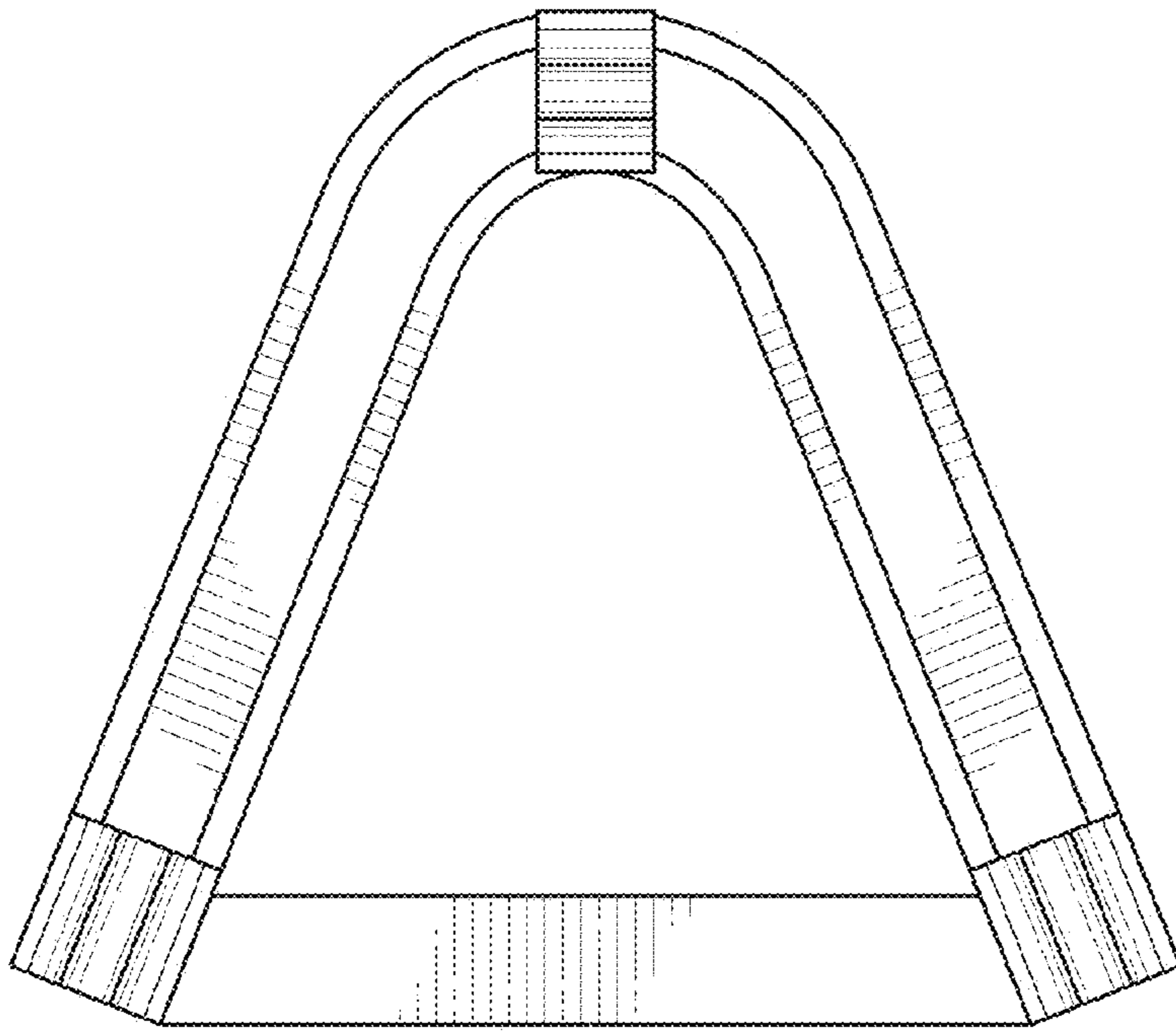


FIG. 2

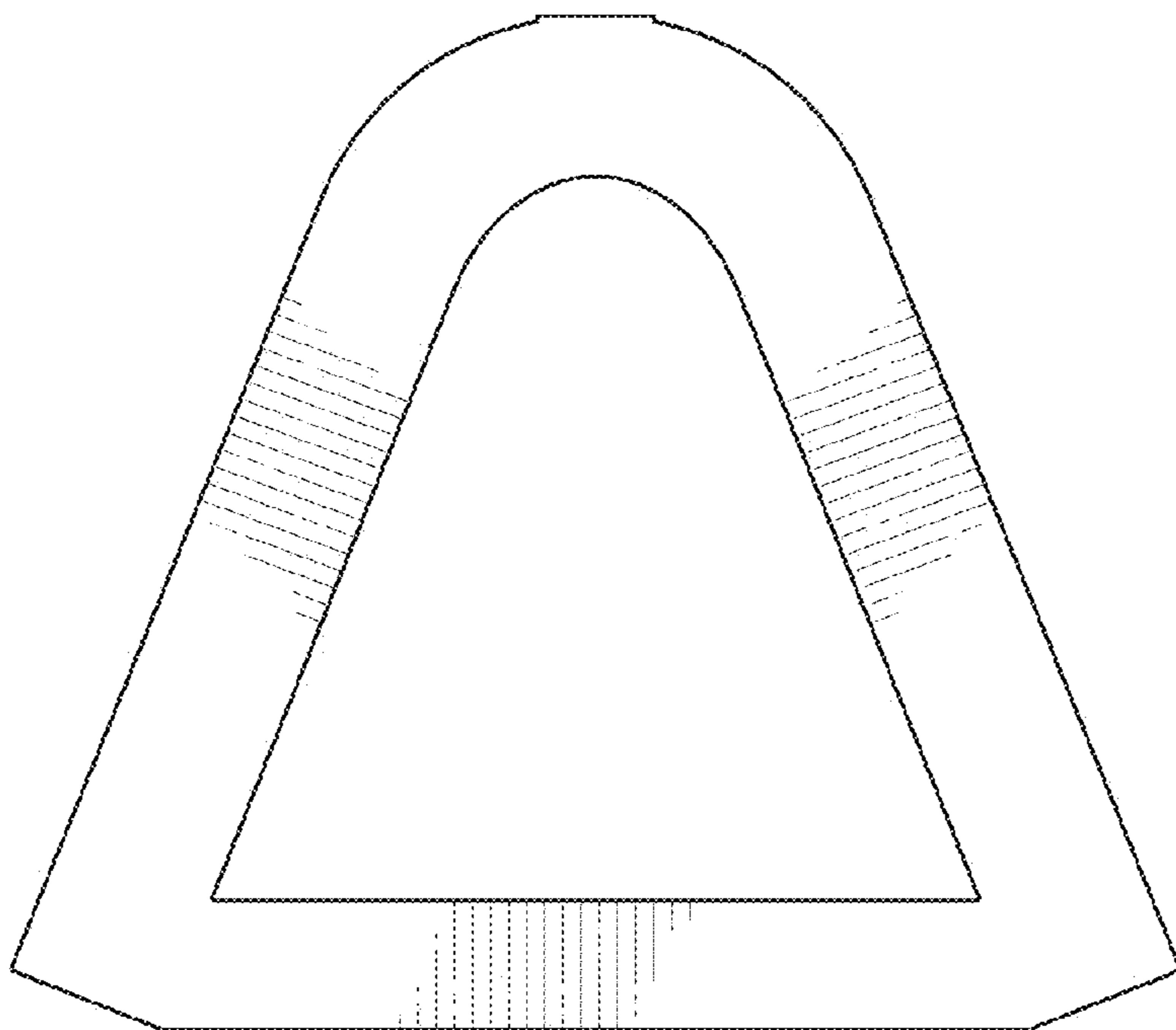


FIG. 3

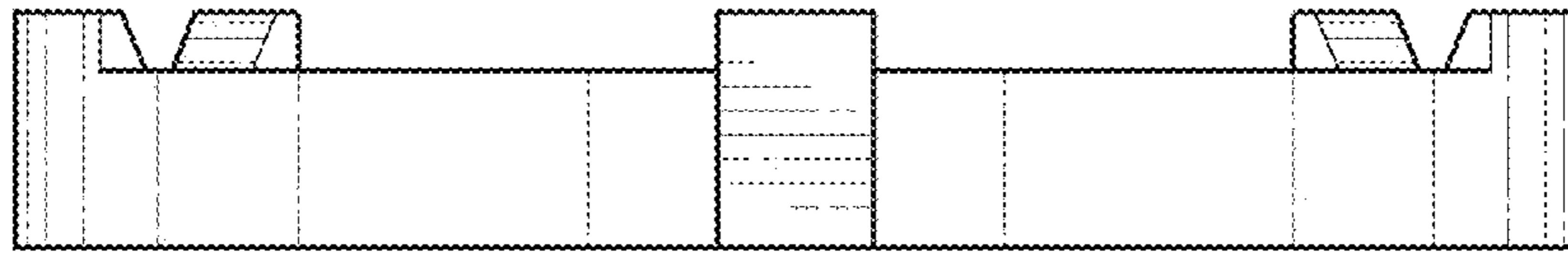


FIG. 4

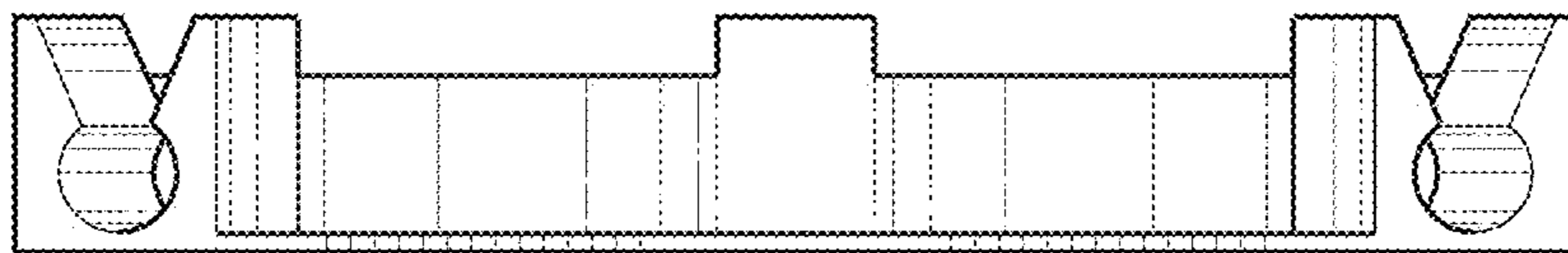


FIG. 5

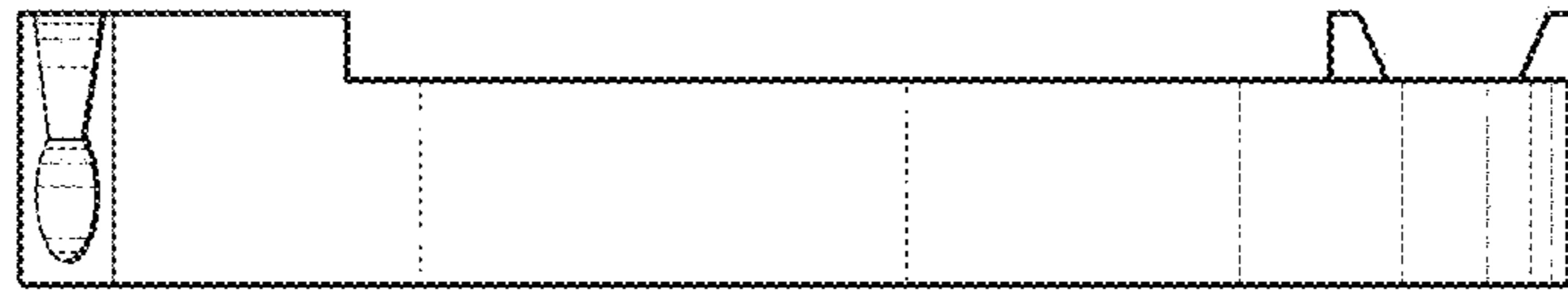


FIG. 6

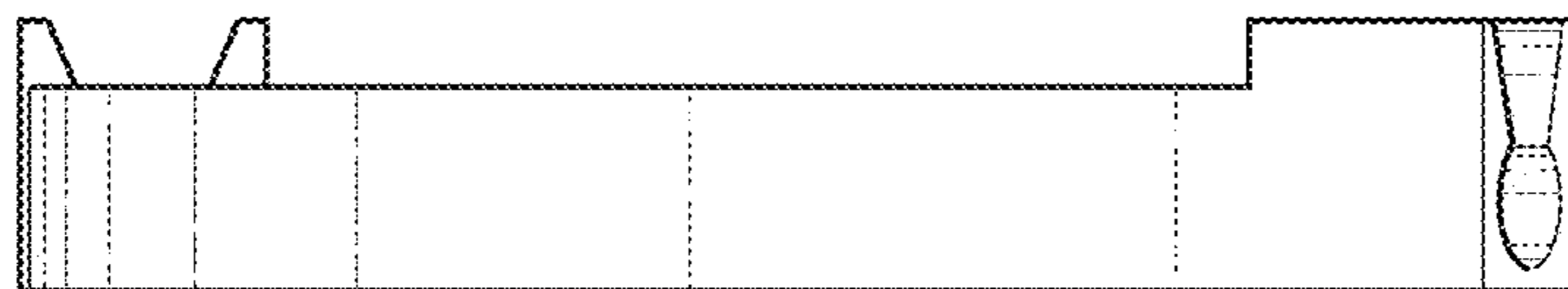


FIG. 7