



US00D743539S

(12) **United States Design Patent**  
**Chung et al.**

(10) **Patent No.:** **US D743,539 S**

(45) **Date of Patent:** **\*\* Nov. 17, 2015**

(54) **BLOOD COLLECTION DEVICE**

(56) **References Cited**

(71) Applicant: **SAMSUNG ELECTRONICS CO., LTD.**, Suwon-si (KR)

U.S. PATENT DOCUMENTS

(72) Inventors: **Yeon-Moo Chung**, Seoul (KR);  
**Sung-Won Lim**, Paju-si (KR);  
**Cheon-Seop Shin**, Seoul (KR)

3,672,783	A *	6/1972	Bajusz .....	401/116
D343,897	S *	2/1994	Rand et al. ....	D24/112
6,001,082	A *	12/1999	Dair et al. ....	604/207
D462,760	S *	9/2002	Ahlgrim et al. ....	D24/114
D501,253	S *	1/2005	Bainton .....	D24/114
D540,465	S *	4/2007	Bainton .....	D24/114
7,674,246	B2 *	3/2010	Gillespie et al. ....	604/181
D624,238	S *	9/2010	Turner .....	D27/101
D676,957	S *	2/2013	Schneider et al. ....	D24/113
D685,420	S *	7/2013	Jin .....	D19/36
D703,314	S *	4/2014	Schneider et al. ....	D24/113
D717,941	S *	11/2014	Mach et al. ....	D24/113
2012/0283696	A1 *	11/2012	Cronenberg et al. ....	604/506

(73) Assignee: **SAMSUNG ELECTRONICS CO., LTD.** (KR)

(\*\*) Term: **14 Years**

\* cited by examiner

(21) Appl. No.: **29/483,297**

*Primary Examiner* — David Muller

(22) Filed: **Feb. 27, 2014**

*Assistant Examiner* — Nathan Johnston

(30) **Foreign Application Priority Data**

(74) *Attorney, Agent, or Firm* — Cantor Colburn LLP

Sep. 11, 2013 (KR) ..... 30-2013-0046882

(51) **LOC (10) Cl.** ..... **24-02**

(57) **CLAIM**

The ornamental design for a blood collection device, as shown and described.

(52) **U.S. Cl.**

USPC ..... **D24/113**

**DESCRIPTION**

(58) **Field of Classification Search**

USPC ..... D24/127–131, 112–114, 133, 186;

606/181, 185; 604/264, 272, 115, 232,

604/187, 158, 164.08, 192, 263, 163, 181,

604/184, 198, 227; 600/101, 139, 143;

128/200.24, 207.14, 207.15;

D19/115–123, 177, 193

CPC ..... A61B 5/15003; A61B 5/150389;

A61B 5/154; A61B 5/150732

See application file for complete search history.

**1 Claim, 4 Drawing Sheets**

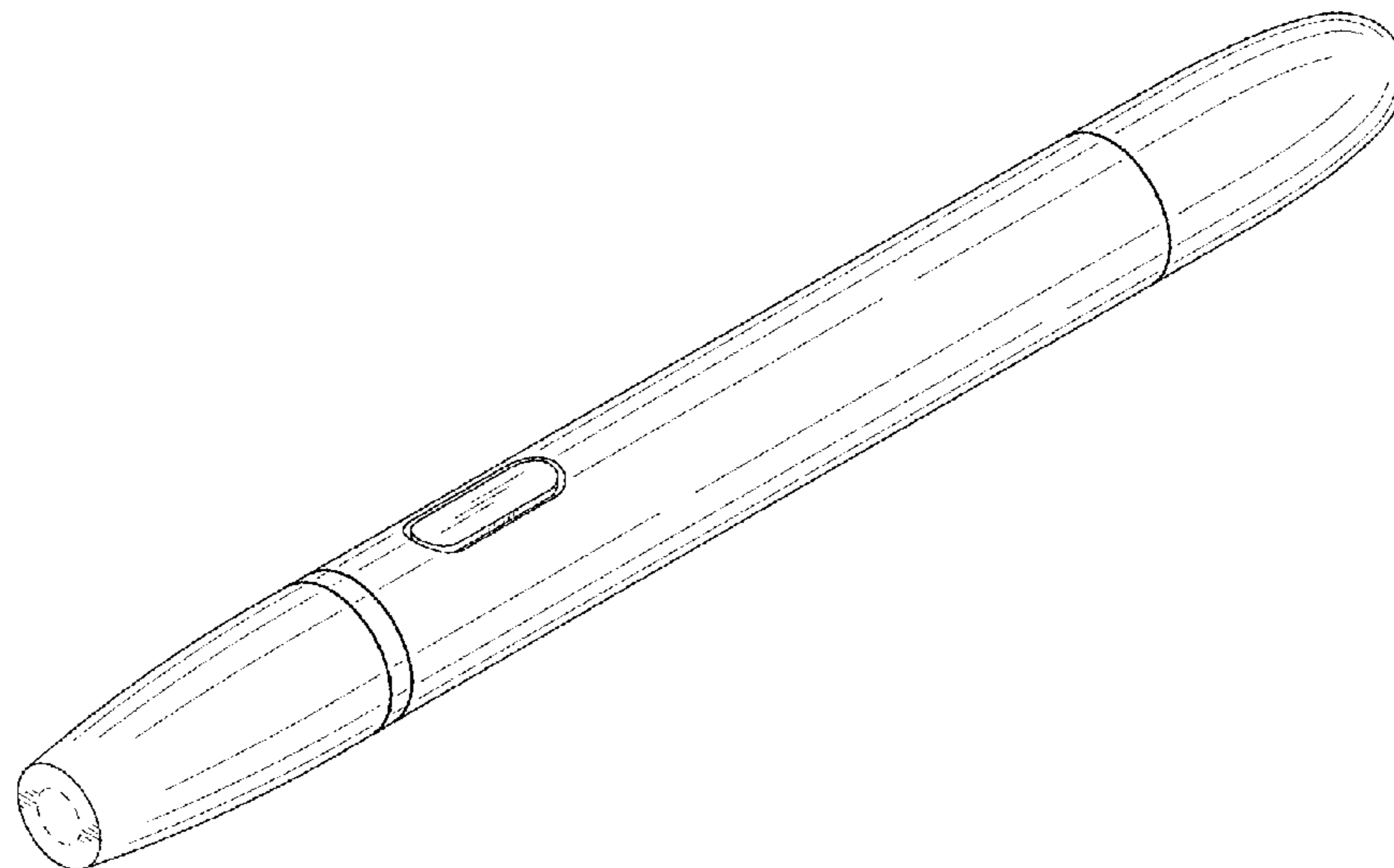


FIG.1

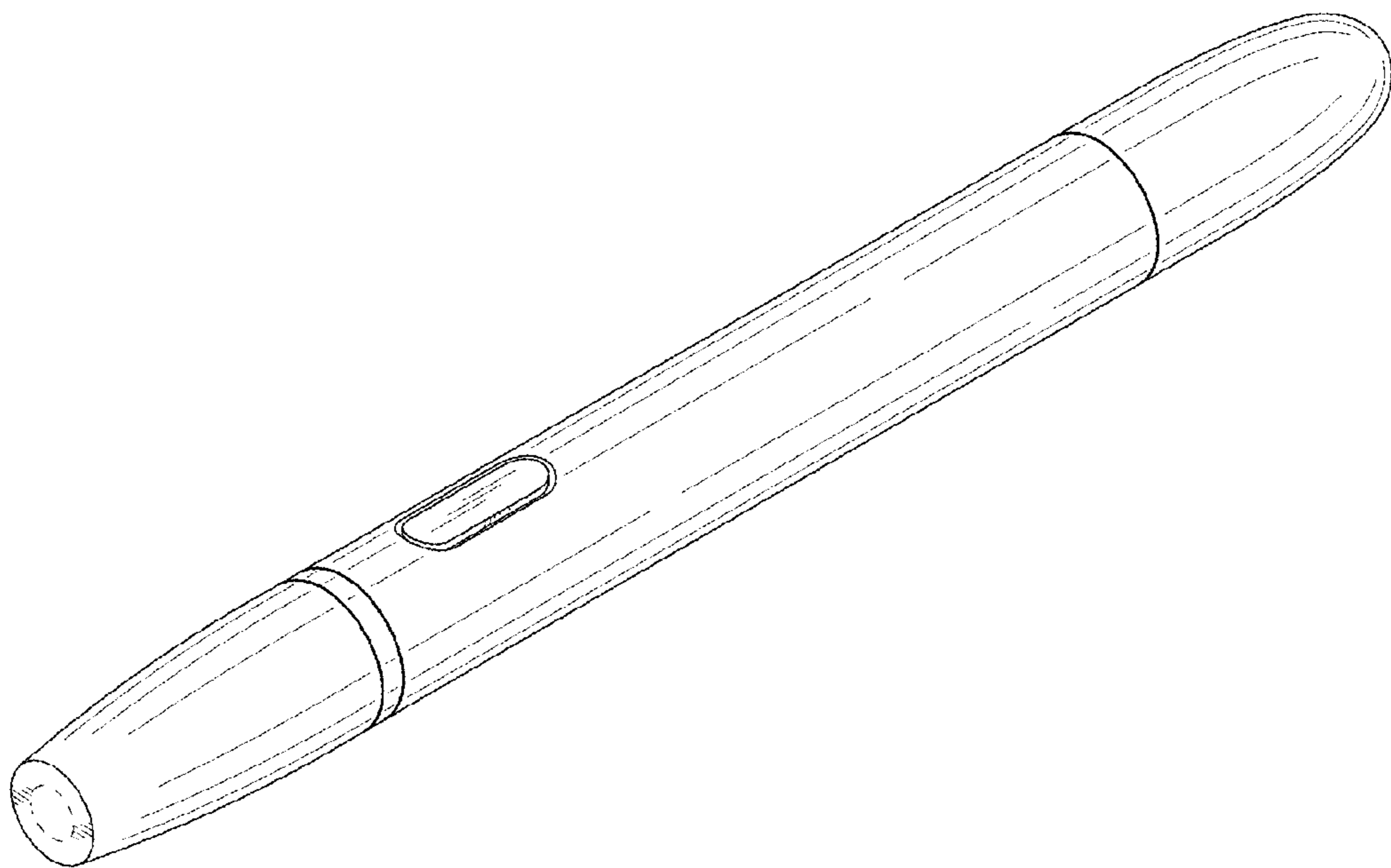


FIG.2

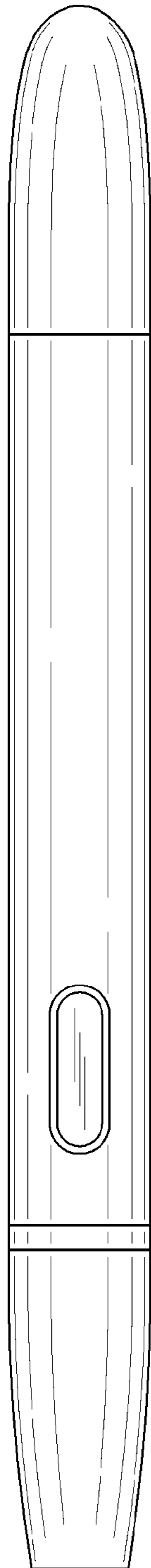


FIG.3

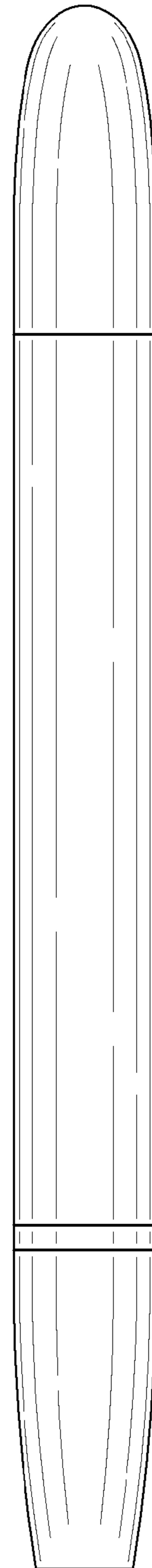


FIG.4

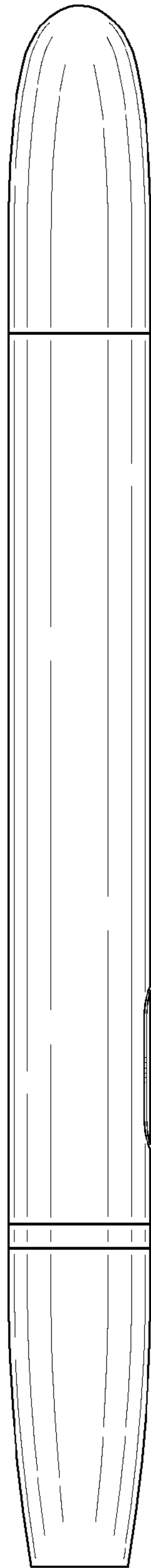


FIG.5

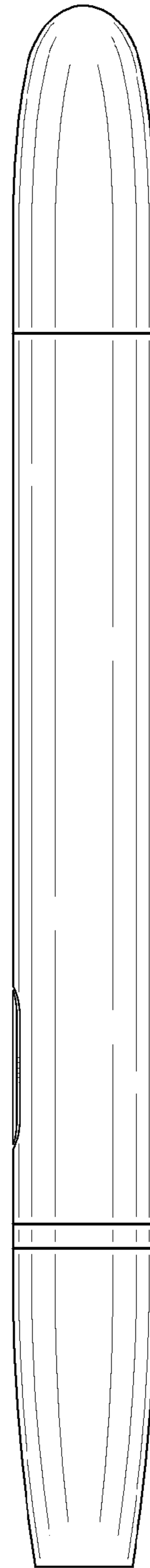


FIG.6

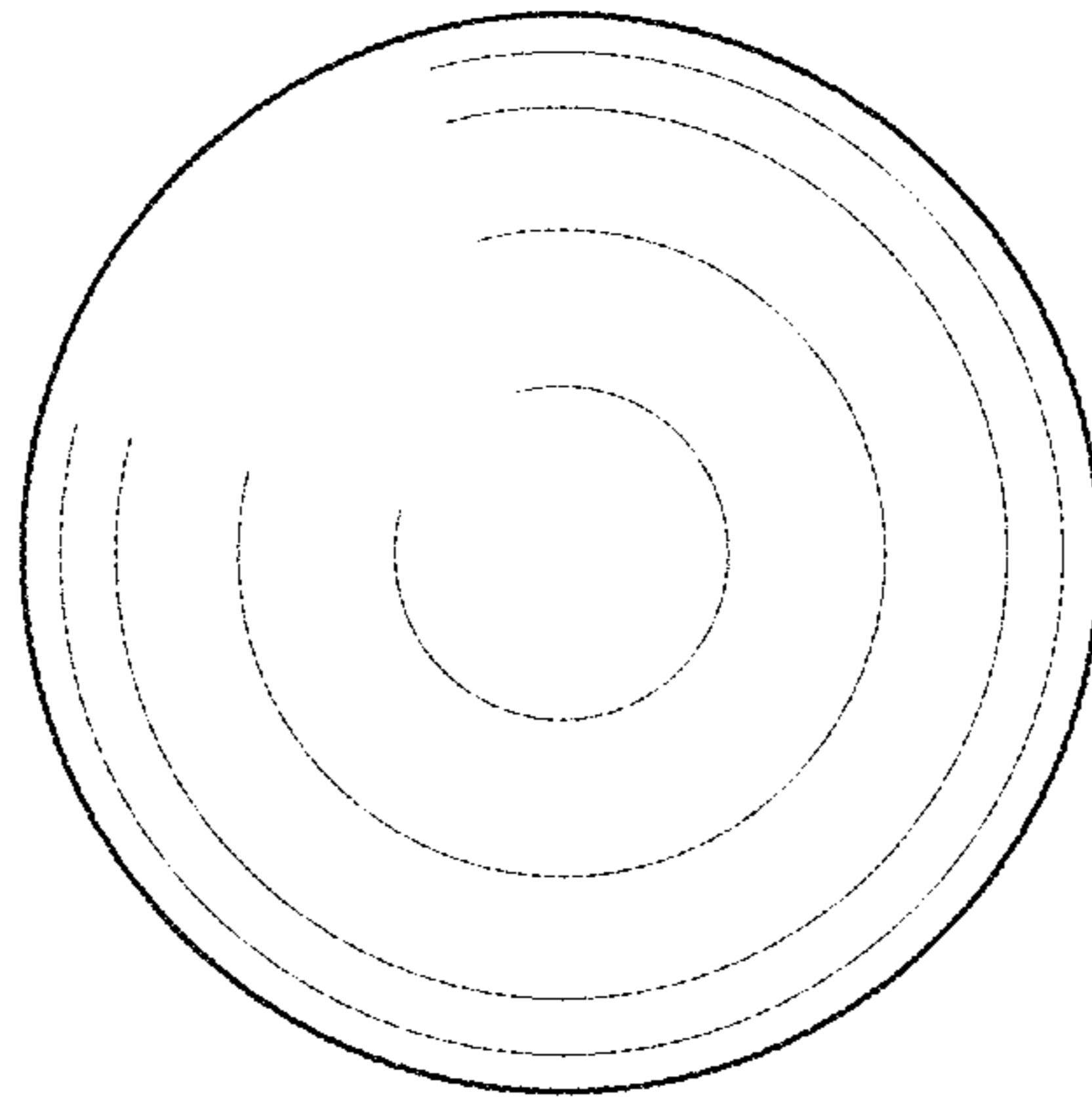


FIG.7

