



US00D743537S

(12) **United States Design Patent**
Answine et al.

(10) **Patent No.:** **US D743,537 S**
(45) **Date of Patent:** **** Nov. 17, 2015**

(54) **ELBOW CONNECTOR FOR A PATIENT INTERFACE ASSEMBLY**

(71) Applicant: **KONINKLIJKE PHILIPS N.V.**,
Eindhoven (NL)

(72) Inventors: **Matthew Answine**, Apollo, PA (US);
Matthew Michael Julian, Pittsburgh, PA (US);
Mihai Hoge, Pittsburgh, PA (US);
Eric Alan Higgins, Cheswick, PA (US);
Kevin Daniel Himes, Irwin, PA (US);
Jeffrey Huth, Delmont, PA (US)

(73) Assignee: **KONINKLIJKE PHILIPS N.V.**,
Eindhoven (NL)

(**) Term: **14 Years**

(21) Appl. No.: **29/471,903**

(22) Filed: **Nov. 6, 2013**

(30) **Foreign Application Priority Data**

May 7, 2013 (EM) 002233619-0006

(51) **LOC (10) Cl.** **29-02**

(52) **U.S. Cl.**
USPC **D24/110.5**

(58) **Field of Classification Search**
USPC D24/110-110.6; 128/206.12, 206.23,
128/206.24, 206.28, 205.27, 201.17, 201.22
CPC A61M 16/0622; A61M 16/0216;
A61M 16/0816; A61M 16/08; A61M 16/0633;
A61M 16/06; A61M 16/0666; A61M
2210/0618; A61M 16/0683
See application file for complete search history.

(56) **References Cited**

U.S. PATENT DOCUMENTS

D612,481 S * 3/2010 Reid et al. D24/110.1
D612,932 S * 3/2010 Davidson et al. D24/110.1
D656,231 S * 3/2012 Henry et al. D24/110.1

D681,191 S * 4/2013 Shick et al. D24/110.1
D686,313 S * 7/2013 Matula et al. D24/110.1
D692,554 S * 10/2013 Siew et al. D24/110.4
D692,999 S * 11/2013 Huth et al. D24/110
D693,459 S * 11/2013 Prentice et al. D24/110.4
D693,460 S * 11/2013 Rothermel et al. D24/110.4
D693,461 S * 11/2013 Rothermel D24/110.4
D693,462 S * 11/2013 Rothermel et al. D24/110.4
D697,203 S * 1/2014 Clarke et al. D24/110.4
D700,697 S * 3/2014 Ho et al. D24/110.4
8,875,709 B2 * 11/2014 Davidson et al. 128/206.28
2011/0056495 A1 * 3/2011 Ho 128/204.18
2011/0232649 A1 * 9/2011 Collazo et al. 128/207.18
2011/0240030 A1 * 10/2011 Ho et al. 128/206.21
2012/0204880 A1 * 8/2012 Smith et al. 128/206.24
2013/0133664 A1 * 5/2013 Startare et al. 128/206.24
2013/0146060 A1 * 6/2013 Ho et al. 128/205.25
2013/0186404 A1 * 7/2013 Chien 128/206.21
2013/0199537 A1 * 8/2013 Formica et al. 128/205.25
2013/0228173 A1 * 9/2013 Busch 128/202.27
2014/0261435 A1 * 9/2014 Rothermel 128/205.25
2014/0290663 A1 * 10/2014 Rothermel 128/206.24
2014/0311496 A1 * 10/2014 Rothermel 128/206.24

* cited by examiner

Primary Examiner — Deanna L Pratt

Assistant Examiner — Lilyana Bekic

(74) *Attorney, Agent, or Firm* — Michael W. Haas

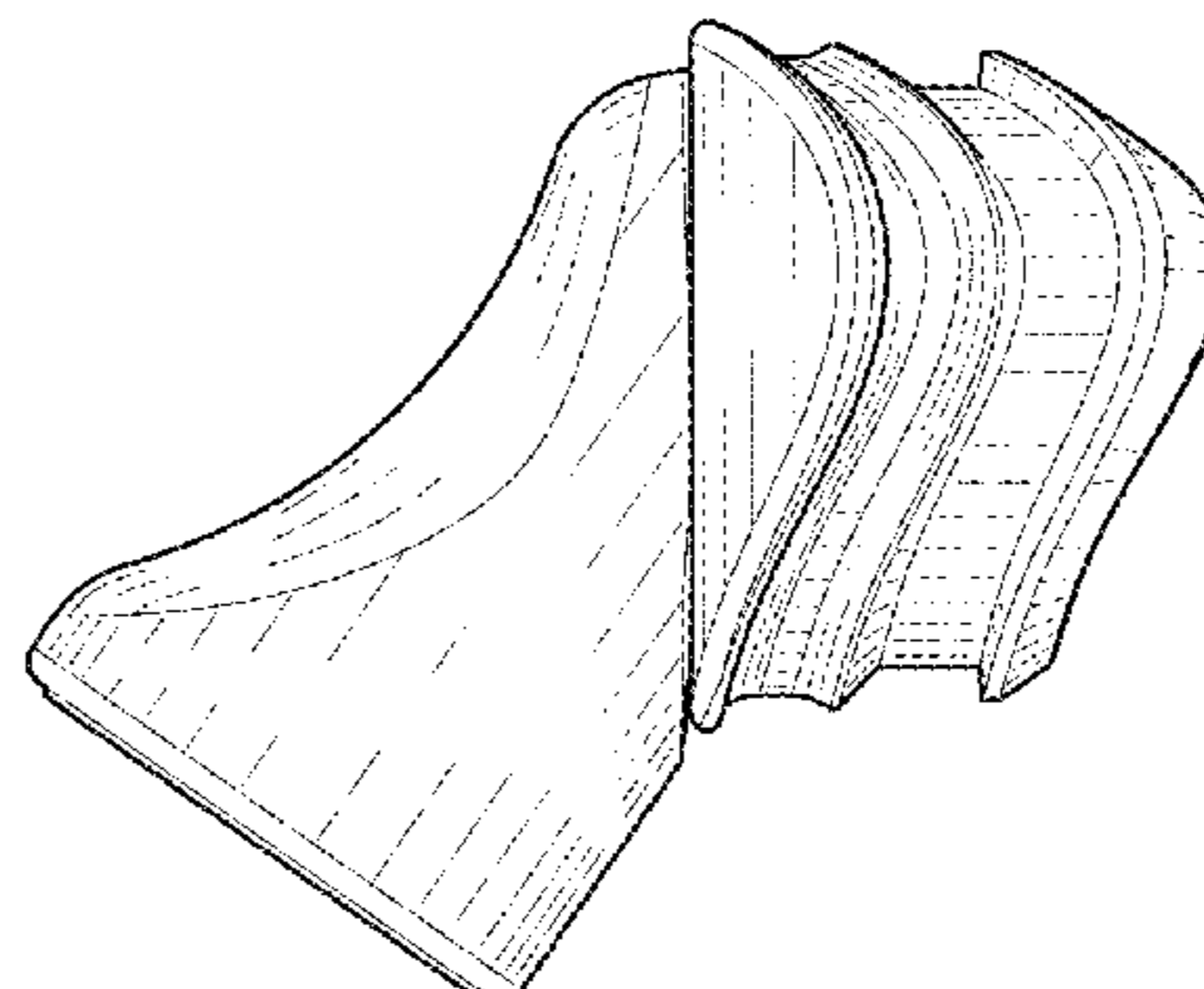
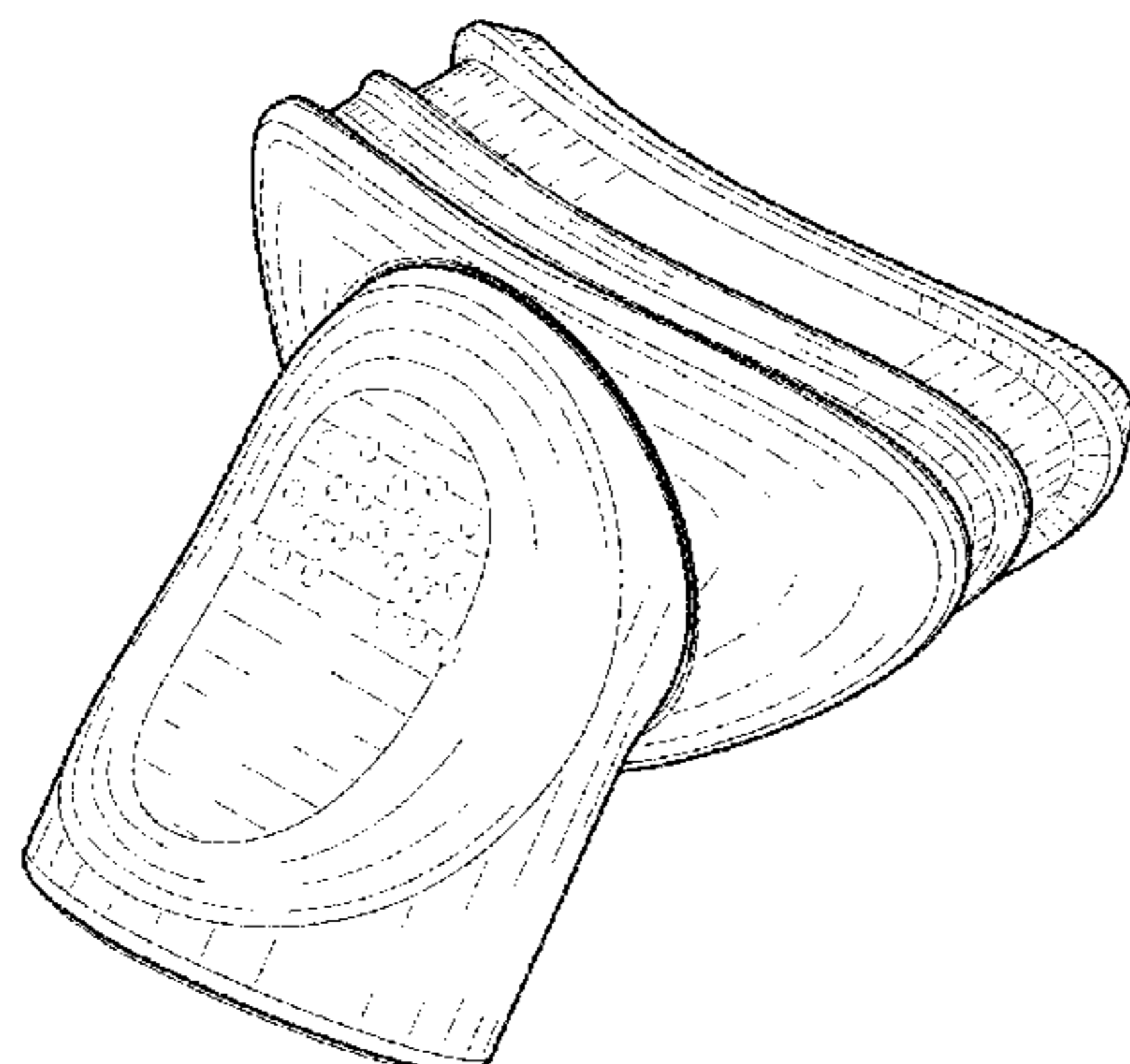
(57) **CLAIM**

The ornamental design for an elbow connector for a patient interface assembly, as and described.

DESCRIPTION

FIG. 1 is a perspective view showing my design;
FIG. 2 is a front elevational view thereof;
FIG. 3 is a rear elevational view thereof;
FIG. 4 is a right side elevational view thereof;
FIG. 5 is a left side elevational view thereof;
FIG. 6 is a top plan view thereof; and,
FIG. 7 is a bottom plan view thereof.
The broken lines in the drawings illustrate portions of the elbow connector for a patient interface assembly that form no part of the claimed design.

1 Claim, 4 Drawing Sheets



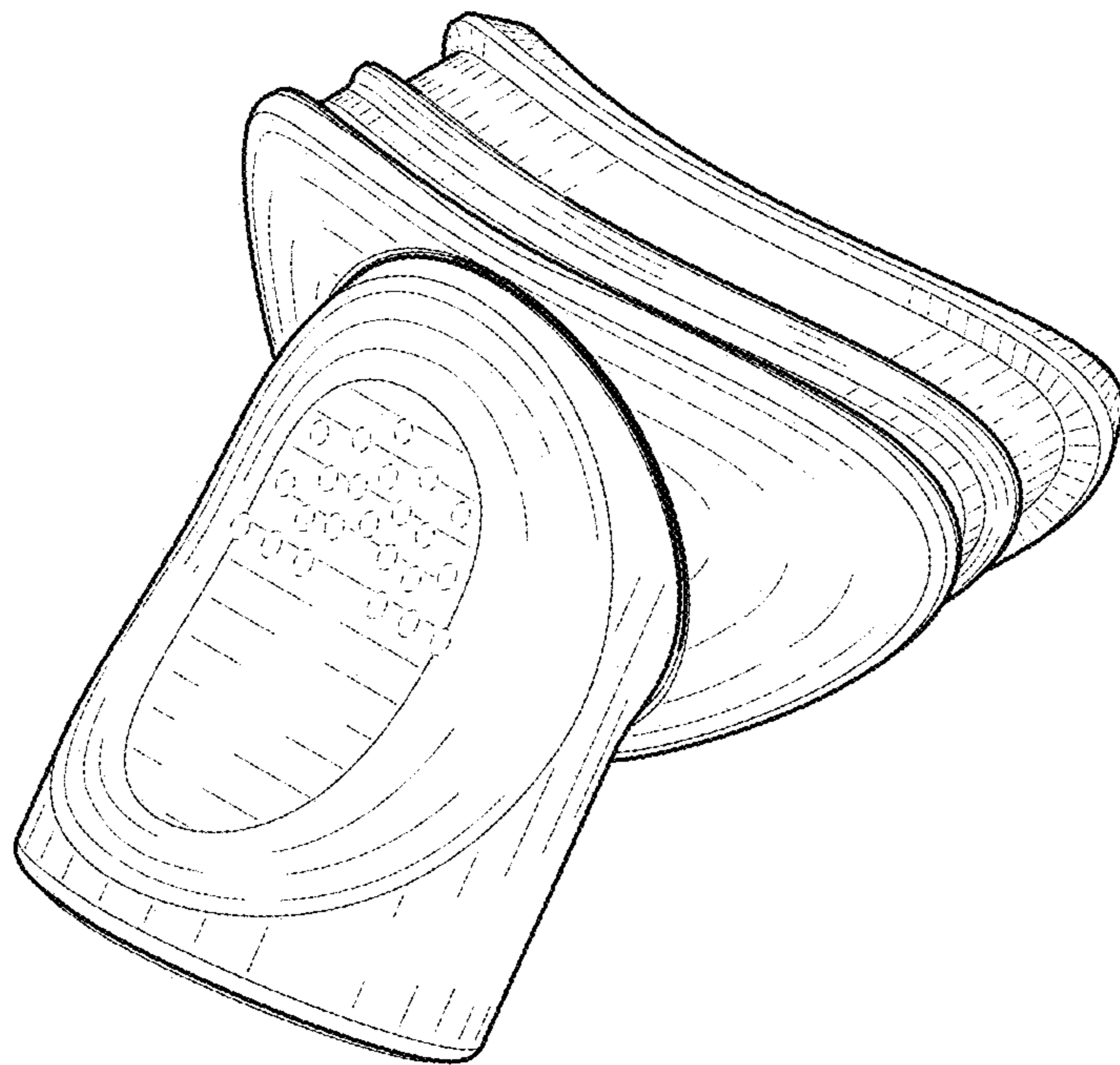


FIG. 1

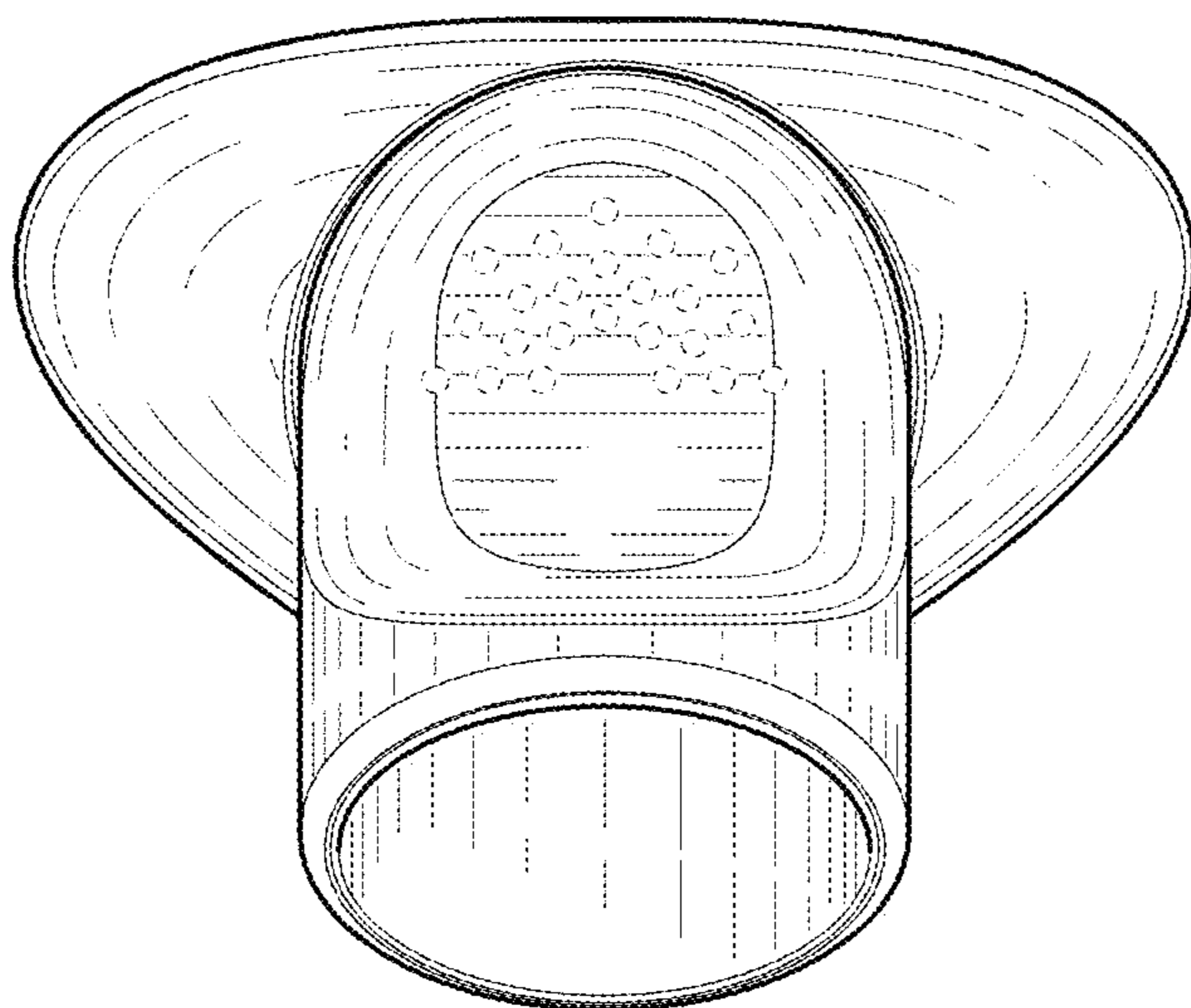


FIG. 2

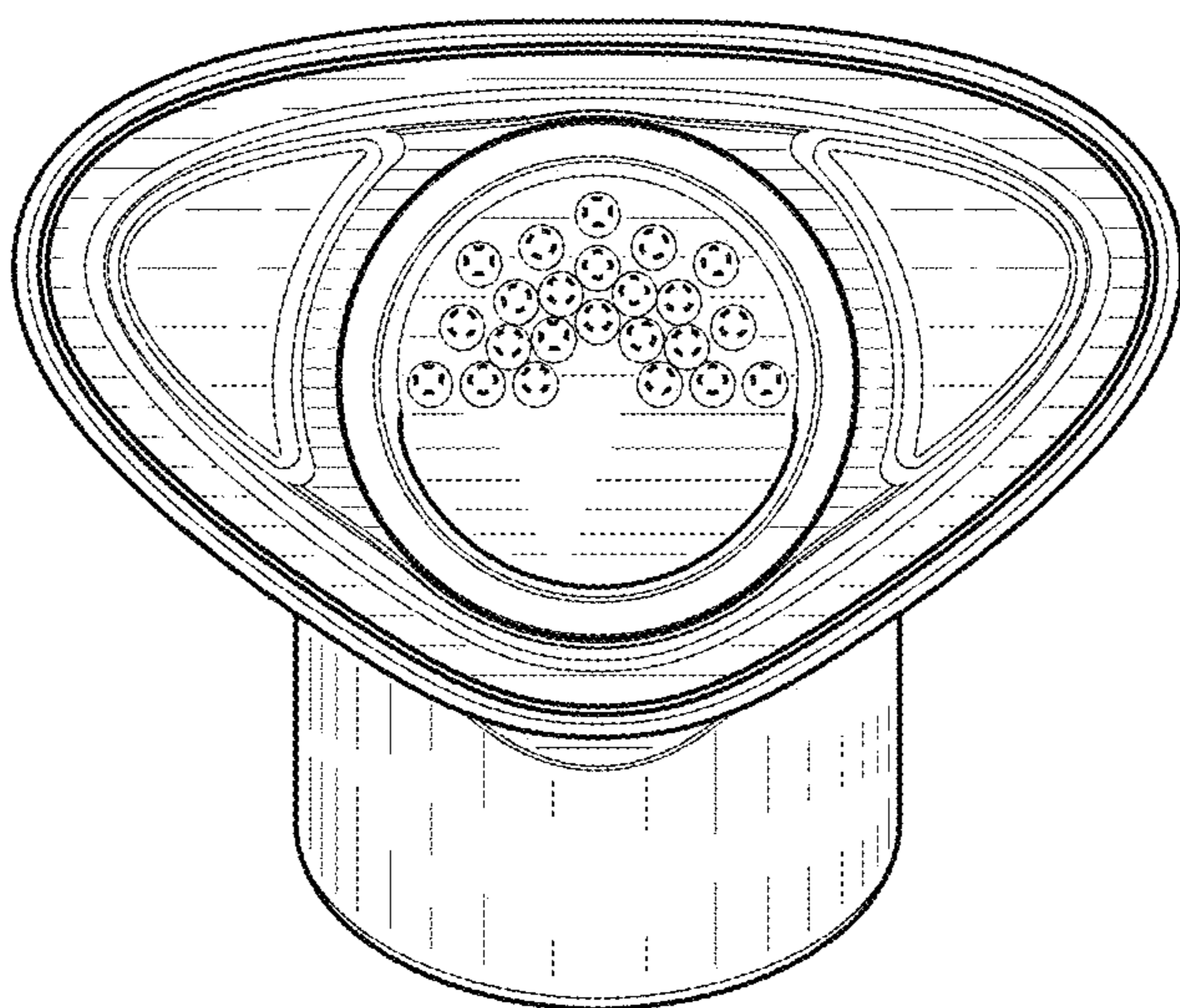


FIG. 3

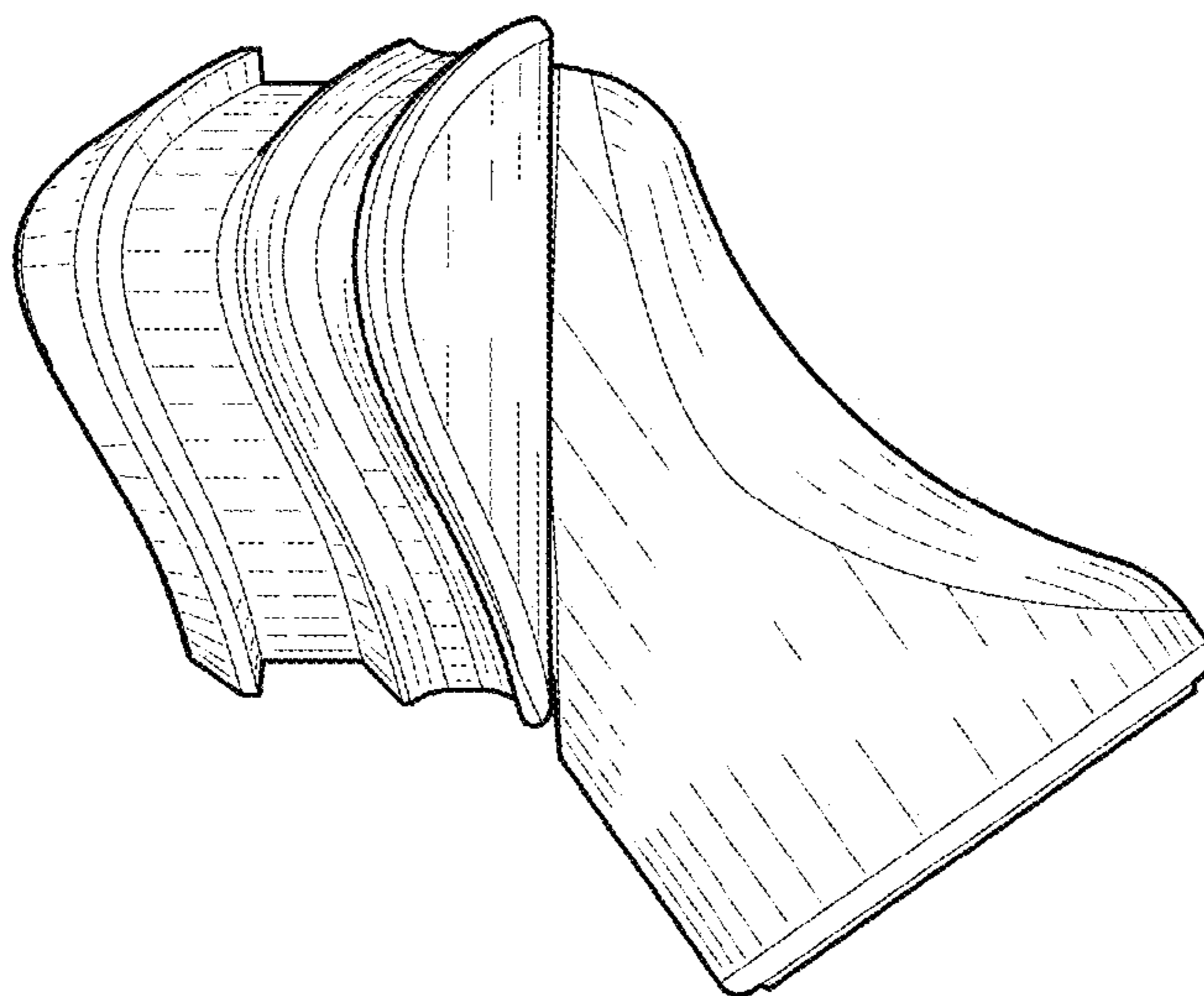


FIG. 4

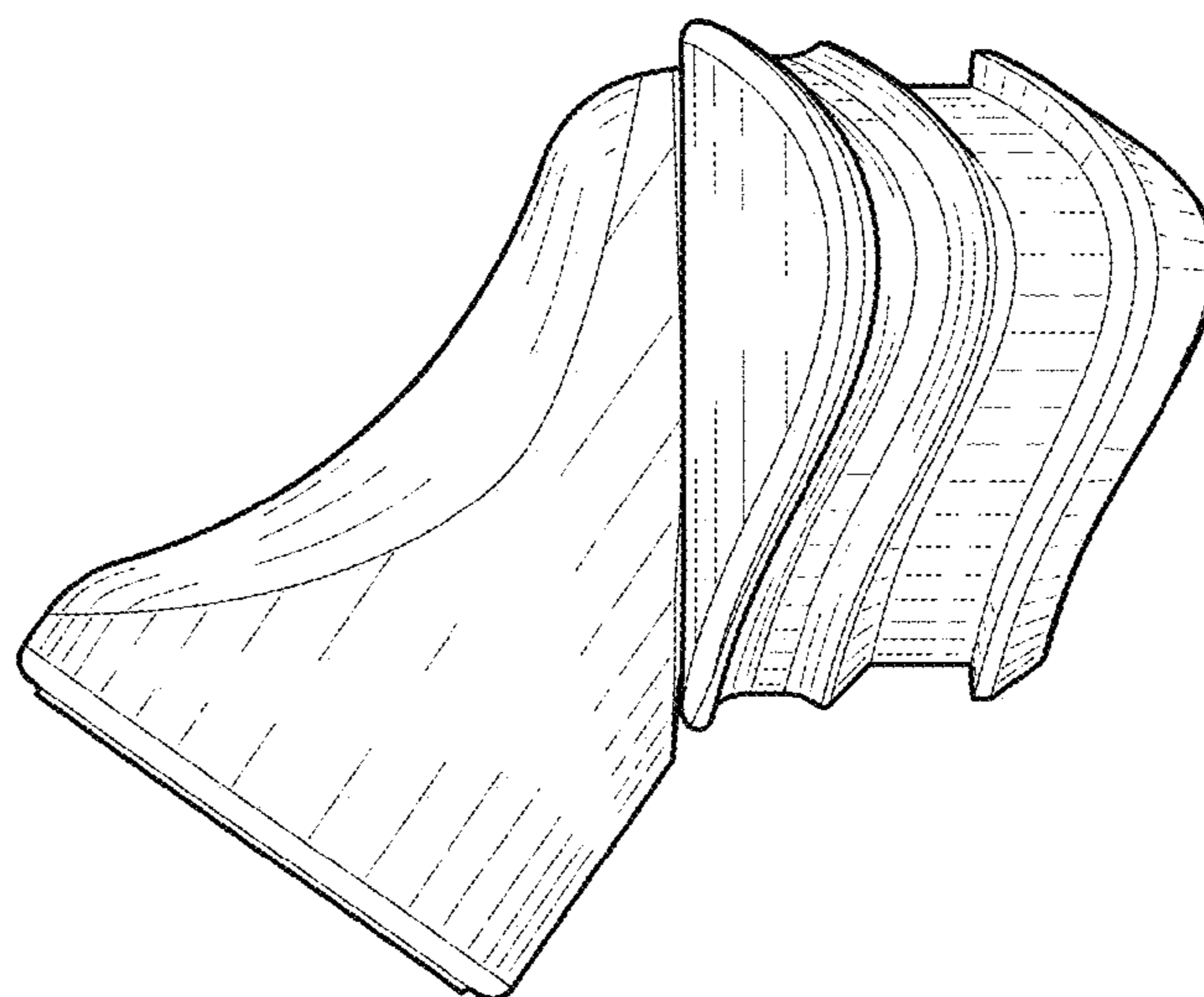


FIG. 5

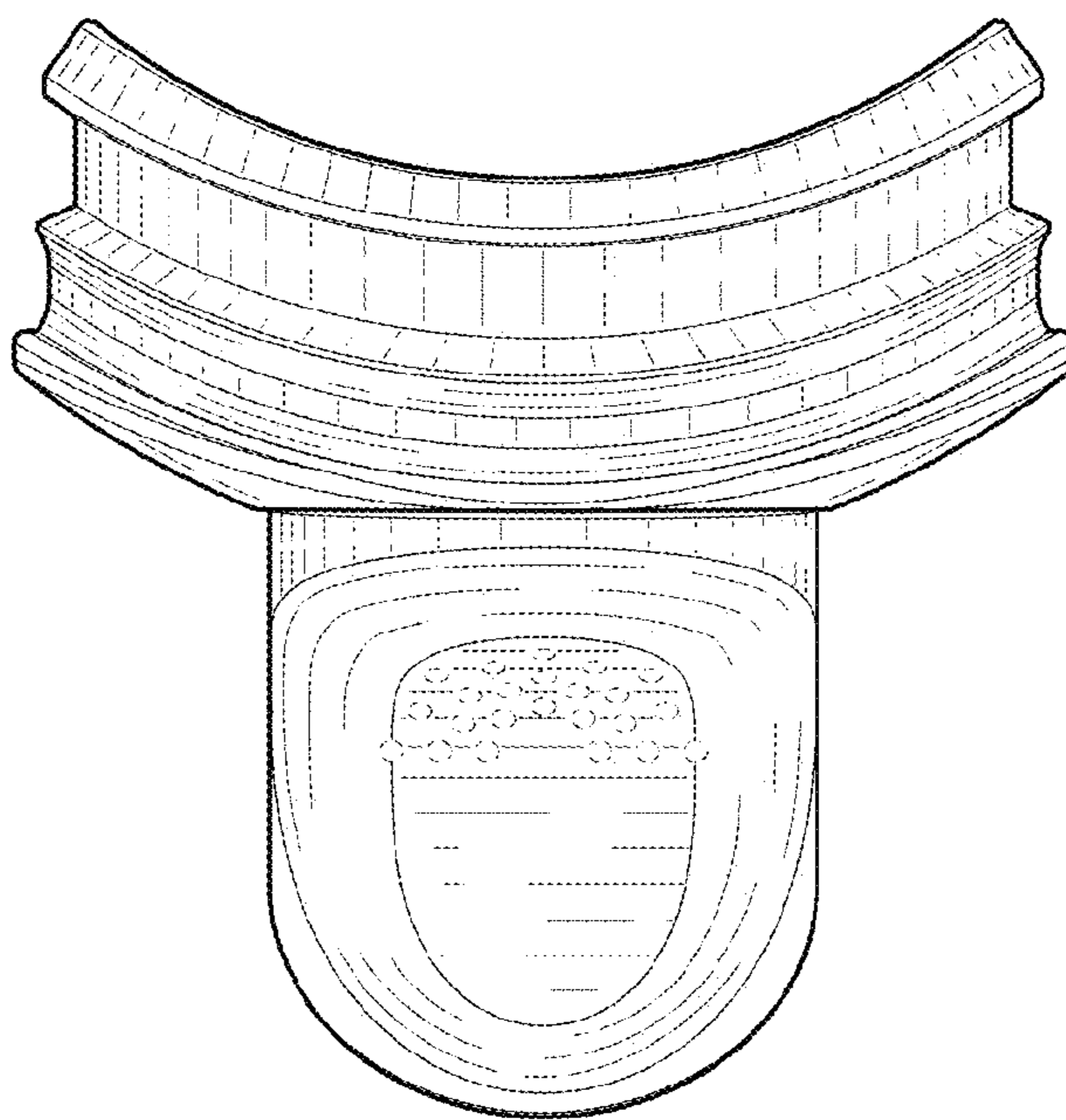


FIG. 6

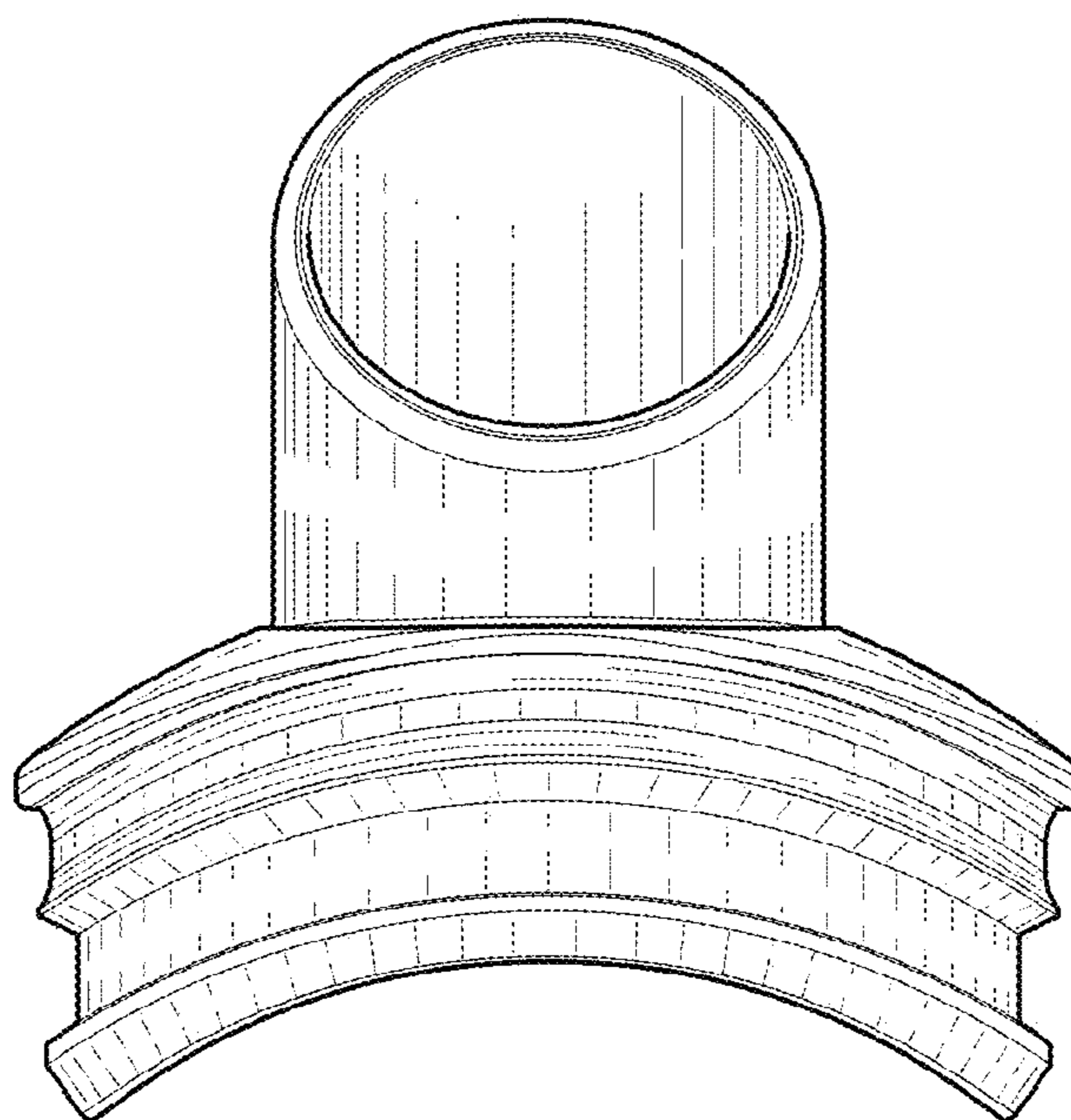


FIG. 7