



US00D743536S

(12) **United States Design Patent**  
**Blomberg et al.**

(10) **Patent No.:** **US D743,536 S**

(45) **Date of Patent:** **\*\* Nov. 17, 2015**

(54) **RESPIRATOR MASK HAVING A CIRCULAR BUTTON**

(71) Applicant: **3M INNOVATIVE PROPERTIES COMPANY**, St. Paul, MN (US)

(72) Inventors: **David M. Blomberg**, Lino Lakes, MN (US); **William A. Mittelstadt**, Woodbury, MN (US)

(73) Assignee: **3M Innovative Properties Company**, St. Paul, MN (US)

(\*\*) Term: **14 Years**

(21) Appl. No.: **29/518,793**

(22) Filed: **Feb. 27, 2015**

(51) **LOC (10) Cl.** ..... **29-02**

(52) **U.S. Cl.**  
USPC ..... **D24/110.1**

(58) **Field of Classification Search**  
USPC ..... D24/110.1-110.4, 110.6  
CPC ..... A62B 18/00; A62B 18/02; A62B 18/025;  
A61M 16/0622; A61M 16/06; A61M 16/0616  
See application file for complete search history.

(56) **References Cited**

U.S. PATENT DOCUMENTS

2,055,853	A	9/1936	Schwartz	
2,062,834	A	12/1936	Schwartz	
2,235,624	A	3/1941	Schwartz	
2,738,788	A *	3/1956	Matheson et al.	..... 128/201.19
2,787,333	A	4/1957	Boone	
2,858,828	A	11/1958	Matheson	
2,874,693	A	2/1959	Matheson	
4,562,837	A	1/1986	Schlobohm	
D286,213	S	10/1986	Maryyaneck	
4,850,346	A *	7/1989	Michel et al.	..... 128/206.15
D303,585	S *	9/1989	White et al.	..... D24/110.4
4,921,512	A	5/1990	Maryyaneck	
4,932,399	A	6/1990	Cappa	

4,934,361	A *	6/1990	Michel et al.	..... 128/206.17
5,062,421	A	11/1991	Burns	
5,086,768	A	2/1992	Niemeyer	
5,148,803	A	9/1992	Schlobohm	

(Continued)

FOREIGN PATENT DOCUMENTS

AU	359131	12/2014
AU	359132	12/2014

(Continued)

OTHER PUBLICATIONS

3M™ Cool Flow™ Valve information obtained from the internet on Mar. 18, 2014: [http://solutions.3m.com/wps/portal/3M/en\\_EU/PPE\\_SafetySolutions\\_EU/Safety/FeaturedProducts/CoolFlowValve/](http://solutions.3m.com/wps/portal/3M/en_EU/PPE_SafetySolutions_EU/Safety/FeaturedProducts/CoolFlowValve/).

(Continued)

*Primary Examiner* — Deanna L Pratt

*Assistant Examiner* — Lilyana Bekic

(74) *Attorney, Agent, or Firm* — Peter L. Olson

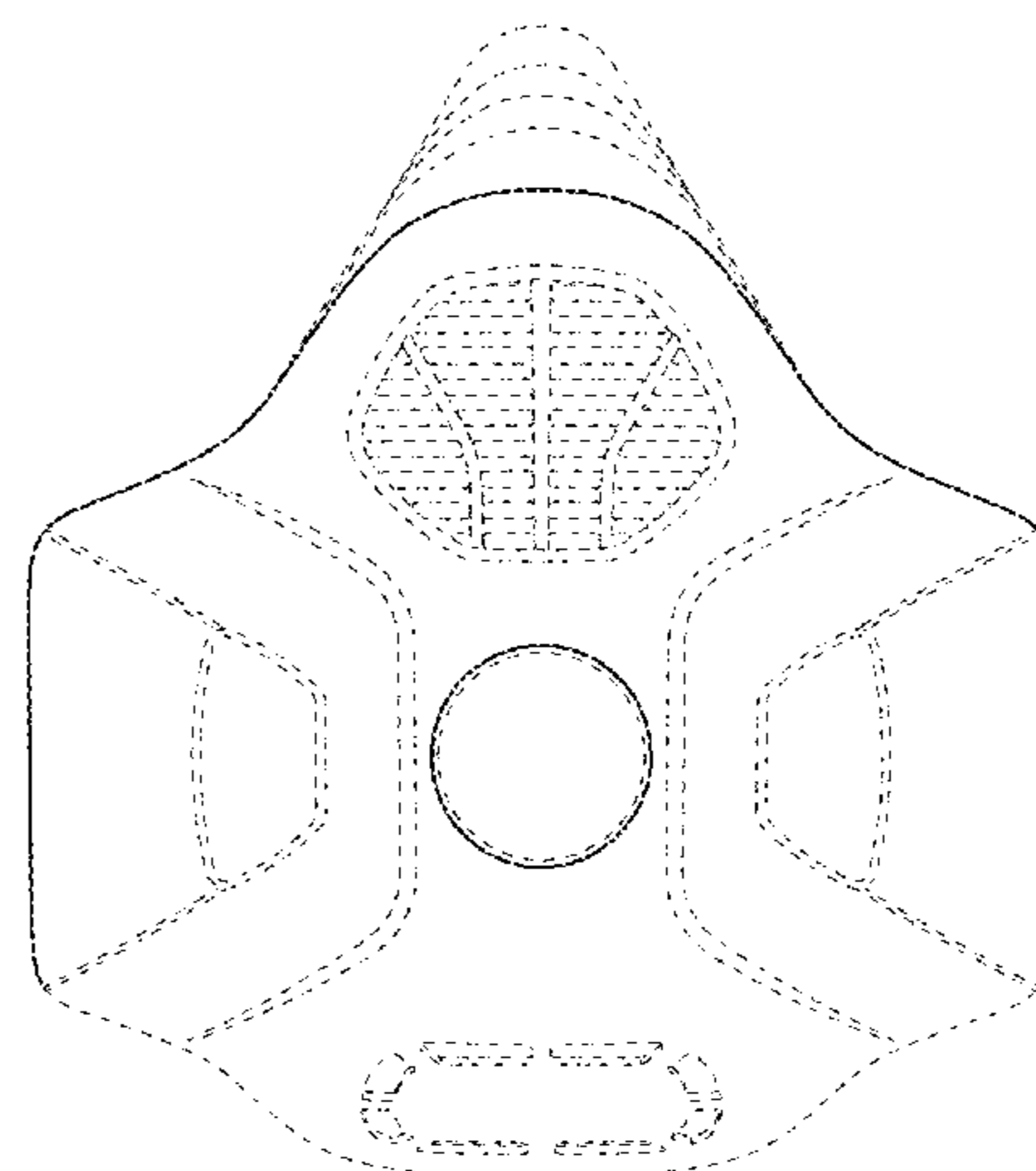
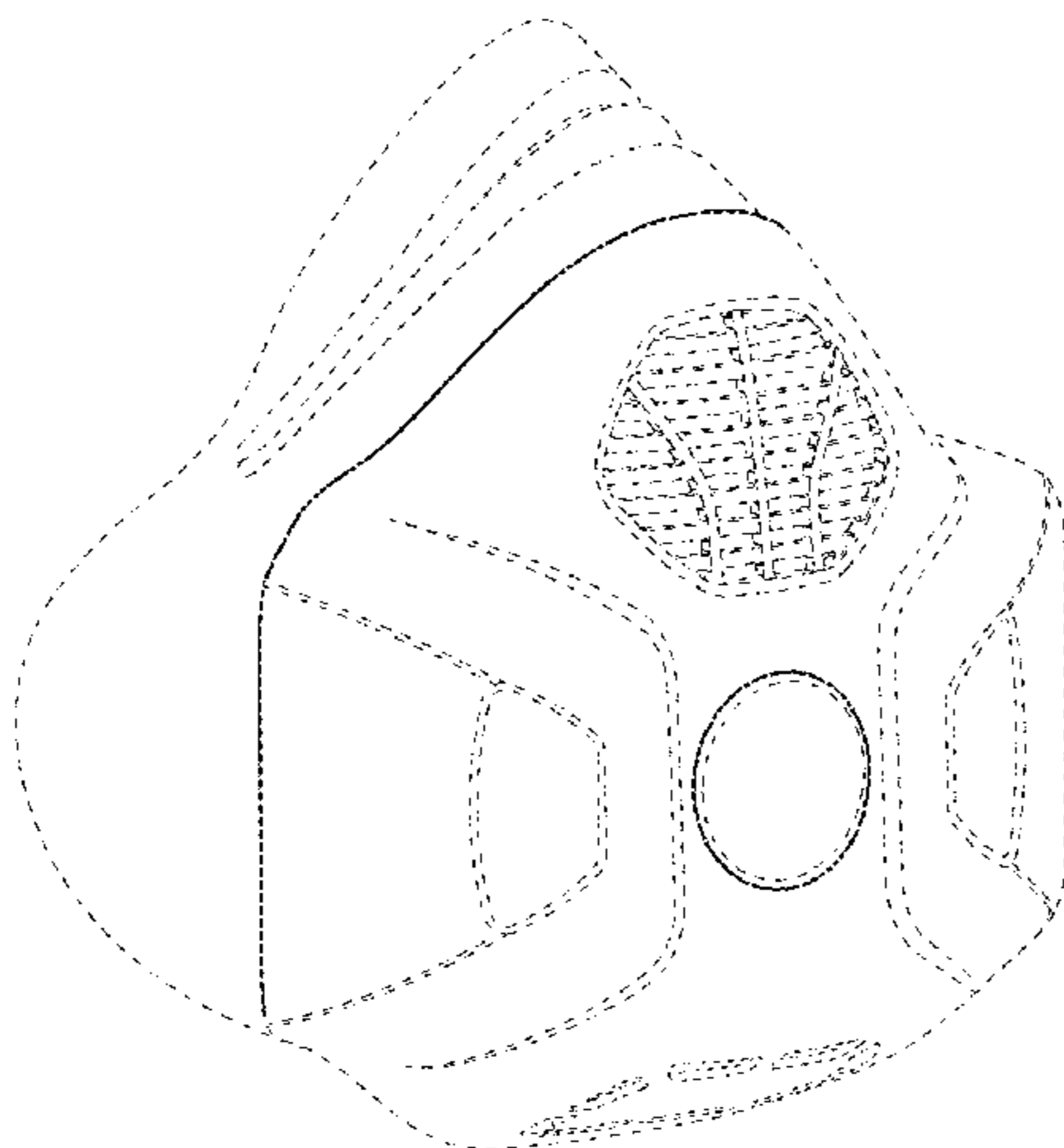
(57) **CLAIM**

The ornamental design for a respirator mask having a circular button, as shown and described.

**DESCRIPTION**

FIG. 1 is a perspective view showing the new design for a respirator mask having a circular button;  
FIG. 2 is a front view thereof;  
FIG. 3 is a rear view thereof;  
FIG. 4 is a right side view thereof, the left side being a mirror image thereof;  
FIG. 5 is a top view thereof; and,  
FIG. 6 is a bottom view thereof.  
The broken lines in the drawings illustrate portions of the respirator mask having a circular button which form no part of the claimed design.

**1 Claim, 3 Drawing Sheets**



(56)

References Cited

U.S. PATENT DOCUMENTS

D339,658 S 9/1993 Lahteenmaki  
 RE35,062 E 10/1995 Brostrom  
 5,463,693 A \* 10/1995 Birli et al. .... 381/75  
 5,515,846 A 5/1996 Drews  
 5,579,761 A 12/1996 Yuschak  
 5,611,925 A 3/1997 Yasue  
 5,647,356 A 7/1997 Osendorf  
 5,666,949 A 9/1997 Debe  
 5,669,375 A 9/1997 Dahrendorf  
 5,689,833 A \* 11/1997 Allen et al. .... 2/427  
 5,720,280 A \* 2/1998 Elstran et al. .... 128/205.25  
 D434,141 S \* 11/2000 Randeberg et al. .... D24/110.4  
 6,216,693 B1 4/2001 Rekow  
 6,298,849 B1 10/2001 Scholey  
 D467,656 S \* 12/2002 Mittelstadt et al. .... D24/110.1  
 6,550,479 B1 4/2003 Duxbury  
 6,575,165 B1 6/2003 Cook  
 D477,074 S \* 7/2003 Rudolph et al. .... D24/110.4  
 6,761,169 B2 7/2004 Eswarappa  
 6,793,702 B2 9/2004 Eswarappa  
 D518,571 S 4/2006 Martin  
 7,121,279 B2 10/2006 Dennis  
 7,171,966 B2 2/2007 Schrader  
 7,419,526 B2 9/2008 Greer  
 D597,200 S \* 7/2009 Grimsley ..... D24/110.1  
 7,827,990 B1 11/2010 Melidis  
 8,118,026 B2 2/2012 Gebrewold  
 D655,404 S \* 3/2012 Mittelstadt ..... D24/110.1  
 8,342,180 B2 1/2013 Martin  
 D678,508 S 3/2013 Choi  
 D683,446 S 5/2013 Eves  
 D687,142 S \* 7/2013 Rothermel ..... D24/110.4  
 D707,349 S \* 6/2014 D'Souza et al. .... D24/110.1  
 D709,182 S \* 7/2014 Rothermel et al. .... D24/110.4  
 8,984,753 B2 \* 3/2015 Billingsley et al. .... 29/896.62  
 2001/0013347 A1 8/2001 Rekow  
 2002/0195109 A1 12/2002 Mittelstadt  
 2003/0217752 A1 11/2003 Muller  
 2004/0003810 A1 1/2004 Templeton  
 2004/0055604 A1 \* 3/2004 Viner et al. .... 128/206.16  
 2005/0109343 A1 \* 5/2005 Flanningan et al. .... 128/206.17  
 2005/0126572 A1 6/2005 Gosweiler  
 2007/0272169 A1 11/2007 Barney  
 2009/0078261 A1 \* 3/2009 Martin et al. .... 128/206.12  
 2009/0078262 A1 \* 3/2009 Gebrewold et al. .... 128/206.12  
 2009/0078264 A1 \* 3/2009 Martin et al. .... 128/206.17  
 2009/0078265 A1 \* 3/2009 Gebrewold et al. .... 128/206.19  
 2009/0139526 A1 6/2009 Melidis  
 2009/0193628 A1 \* 8/2009 Gebrewold et al. .... 24/200  
 2010/0206311 A1 \* 8/2010 Flannigan et al. .... 128/207.12  
 2010/0218761 A1 \* 9/2010 Flannigan et al. .... 128/201.19  
 2010/0263673 A1 \* 10/2010 Kielow et al. .... 128/206.15  
 2012/0000465 A1 1/2012 Cavaliere  
 2012/0024289 A1 2/2012 Johnstone  
 2012/0174922 A1 7/2012 Virr  
 2012/0218265 A1 8/2012 Wakayama  
 2013/0133664 A1 5/2013 Startare  
 2014/0216447 A1 \* 8/2014 Kihlberg ..... 128/201.19  
 2014/0216448 A1 \* 8/2014 Kihlberg ..... 128/201.19  
 2014/0216473 A1 \* 8/2014 Dwyer et al. .... 128/863  
 2014/0216474 A1 \* 8/2014 Mittelstadt et al. .... 128/863  
 2014/0216475 A1 \* 8/2014 Blomberg et al. .... 128/863  
 2014/0251327 A1 \* 9/2014 Mittelstadt et al. .... 128/202.22  
 2015/0136141 A1 \* 5/2015 Mittelstadt ..... 128/206.15  
 2015/0136142 A1 \* 5/2015 Blomberg ..... 128/206.17

FOREIGN PATENT DOCUMENTS

AU 359133 12/2014  
 AU 359134 12/2014  
 AU 359135 12/2014  
 AU 359136 12/2014  
 AU 359137 12/2014  
 CA 82141 10/1997

CA 106801 12/2005  
 CN 3342471 12/2003  
 CN 3457902 6/2005  
 CN 3674586 7/2007  
 CN 300757753 3/2008  
 CN 300801845 7/2008  
 CN 301345091 9/2010  
 CN 301787238 1/2012  
 CN 301841897 2/2012  
 CN 301863214 3/2012  
 CN 302193139 11/2012  
 CN 302193145 11/2012  
 CN 302386273 4/2013  
 CN 302571626 9/2013  
 CN 302675143 12/2013  
 CN 302754689 3/2014  
 DE M9107635-0001 6/1992  
 DE 29700093 3/1997  
 EM 000096961-0001 2/2004  
 EM 000455506-0001 12/2005  
 EM 001233373-0002 10/2010  
 EM 001233373-0003 10/2010  
 EM 001862939-0001 5/2011  
 EM 001871401-0001 8/2011  
 EM 001871401-0003 8/2011  
 EM 001871401-0004 8/2011  
 EM 001871401-0005 8/2011  
 EM 001352645-0001 12/2012  
 EM 001352645-0002 12/2012  
 EM 001355259-0001 1/2013  
 EM 001355259-0002 1/2013  
 EM 001378673-0001 8/2013  
 EM 001401335-0001 1/2014  
 EM 001401335-0002 1/2014  
 EM 001401335-0003 1/2014  
 EM 001401335-0004 1/2014  
 EM 001401335-0005 1/2014  
 EM 001401335-0006 1/2014  
 EM 001405609-0001 3/2014  
 EM 001405609-0002 3/2014  
 EM 001405609-0003 3/2014  
 EM 001405609-0004 3/2014  
 EP 1582231 10/2005  
 FR 916655-001 12/1991  
 FR 972590-001 9/1997  
 GB 2078022 2/1999  
 GB 2490507 11/2012  
 JP D1253605 10/2005  
 JP D1334600 6/2008  
 JP D1423131 9/2011  
 JP D1424448 10/2011  
 JP D1433068 2/2012  
 JP D1489843 2/2014  
 KR 300365183 10/2004  
 KR 300387985 7/2005  
 KR 300402015 12/2005  
 KR 10-0773460 B1 11/2007  
 KR 300484303 3/2008  
 KR 300497704 7/2008  
 KR 300505691 9/2008  
 KR 300514863 12/2008  
 KR 300516185 1/2009  
 KR 300526158 4/2009  
 KR 300542031 10/2009  
 KR 300563142 6/2010  
 KR 300649412 6/2012  
 KR 300649413 6/2012  
 KR 300662871 10/2012  
 KR 300683043 3/2013  
 KR 300683052 3/2013  
 KR 300683069 3/2013  
 KR 300684091 3/2013  
 KR 300726258 1/2014  
 KR 300726303 1/2014  
 RU 63184 6/2007  
 WO 03/090873 11/2003  
 WO 2004/071565 8/2004

(56)

**References Cited**

## FOREIGN PATENT DOCUMENTS

WO	2008/082415	7/2008
WO	2009/038857	3/2009
WO	2012/140514	10/2012

## OTHER PUBLICATIONS

3M™ FF400 Respirator information obtained from the internet on Mar. 17, 2014: [http://solutions.3m.com/wps/portal/3M/en\\_US/3M-PPE-Safety-Solutions/Personal-Protective-Equipment/safety-products/Ultimate-FX/](http://solutions.3m.com/wps/portal/3M/en_US/3M-PPE-Safety-Solutions/Personal-Protective-Equipment/safety-products/Ultimate-FX/).

3M™ Maintenance Free Half Mask Respirators 4000 Series information obtained from the internet on Mar. 18, 2014: [http://solutions.3m.com/wps/portal/3M/en\\_EU/PPE\\_SafetySolutions\\_EU/Safety/Product\\_Catalogue/?N=5548558+3294361848+3294857473&rt=rud](http://solutions.3m.com/wps/portal/3M/en_EU/PPE_SafetySolutions_EU/Safety/Product_Catalogue/?N=5548558+3294361848+3294857473&rt=rud).

3M™ 6000 Respirator information obtained from the internet on Mar. 18, 2014: [http://solutions.3m.com/wps/portal/3M/en\\_US/GlobalMining/Home/Products/WorkerSafety/?PC\\_Z7\\_RJH9U5230GM530IQDGUMOE3O51000000\\_nid=2TX60V5VQPbeKXCTK5DQ71gl](http://solutions.3m.com/wps/portal/3M/en_US/GlobalMining/Home/Products/WorkerSafety/?PC_Z7_RJH9U5230GM530IQDGUMOE3O51000000_nid=2TX60V5VQPbeKXCTK5DQ71gl).

3M™ Half Facepiece 7500 Series Ultimate Reusable Respirator information obtained from the internet on Mar. 18, 2014: [http://solutions.3m.com/wps/portal/3M/en\\_US/ElectricalUtility/Home/Products/Catalog/~?N=5551730&rt=c3](http://solutions.3m.com/wps/portal/3M/en_US/ElectricalUtility/Home/Products/Catalog/~?N=5551730&rt=c3).

3M™ Full Facepiece Reusable Respirator 6800 information obtained from the internet on Mar. 18, 2014: [http://solutions.3m.com/wps/portal/3M/en\\_US/3M-PPE-Safety-Solutions/Personal-Protective-Equipment/Products/Product-Catalog/?N=4294930437+5011378&Nr=AND\(hrcy\\_id%3AGST29W6QVWgs\\_TC2BMJQKFQ\\_N2RL3FHWVK\\_GPD0K8B031gv\)&rt=d](http://solutions.3m.com/wps/portal/3M/en_US/3M-PPE-Safety-Solutions/Personal-Protective-Equipment/Products/Product-Catalog/?N=4294930437+5011378&Nr=AND(hrcy_id%3AGST29W6QVWgs_TC2BMJQKFQ_N2RL3FHWVK_GPD0K8B031gv)&rt=d).

Ekastu Safety Half Mask Polimask GAMMA/Silicon information obtained from internet on Mar. 25, 2014: [http://www.ekastu.de/product\\_info.php/language/en/info/p18\\_Halbmaste-Polimask-GAMMA-Silikone.html/XTCsid/4b51b4a707af63184be8a64ba03b9117](http://www.ekastu.de/product_info.php/language/en/info/p18_Halbmaste-Polimask-GAMMA-Silikone.html/XTCsid/4b51b4a707af63184be8a64ba03b9117).

Koken Model 1091D Respirator information obtained from the internet on Mar. 17, 2014: <http://www.koken-ltd.co.jp/english/particulaterespirators.htm>.

Koken Particulate Respirators webpage, <http://www.koken-ltd.co.jp/english/particulaterespirators.htm>, obtained from internet on Jun. 3, 2013.

MSA Ultra Elite® Full-Facepiece Respirator information obtained from the internet on Mar. 18, 2014: [http://us.msasafety.com/Air-Purifying-Respirators-\(APR\)/Full-Face-Masks/Ultra-Elite%26reg%3B-Full-Facepiece-Respirators/p/000050000500001084](http://us.msasafety.com/Air-Purifying-Respirators-(APR)/Full-Face-Masks/Ultra-Elite%26reg%3B-Full-Facepiece-Respirators/p/000050000500001084).

MSA Advantage® 420 Half-Mask Respirator information obtained from the internet on Mar. 18, 2014: [http://us.msasafety.com/Air-Purifying-Respirators-\(APR\)/Half-Masks/Advantage%26reg%3B-420-Half-Mask-Respirator/p/000100000200001150](http://us.msasafety.com/Air-Purifying-Respirators-(APR)/Half-Masks/Advantage%26reg%3B-420-Half-Mask-Respirator/p/000100000200001150).

North® by Honeywell 7700 Series Silicone Half Mask Respirator information obtained from the internet on Mar. 18, 2014: <http://www.northensafety.com/Product/7700/North-by-Honeywell-7700-Series-Silicone-Half-Mask-Respirator>.

Scott AV-3000 Facepiece information obtained from the internet on Mar. 18, 2014: <https://www.scottsafety.com/en/us/pages/ProductDetail.aspx?ProductDetail=AV-3000%20Facepiece>.

Scott Excel™ Half-Facepiece information obtained from the internet on Mar. 18, 2014: [https://www.scottsafety.com/en/us/DocumentandMedia1/xcelbro\\_6301\\_0201.pdf](https://www.scottsafety.com/en/us/DocumentandMedia1/xcelbro_6301_0201.pdf).

Shigematsu Gas Respirators information, pp. 11-16, obtained from Shigematsu's website on Mar. 17, 2014: [http://www.sts-japan.com/english/product\\_catalog.html](http://www.sts-japan.com/english/product_catalog.html).

Survivair Blue 1 respirator information obtained from the internet on Mar. 17, 2014, [http://www.honeywellsafety.com/Products/Respiratory\\_Protection/Survivair\\_Blue\\_1\\_\(NIOSH\).aspx?site=/usa](http://www.honeywellsafety.com/Products/Respiratory_Protection/Survivair_Blue_1_(NIOSH).aspx?site=/usa).

Survivair/Willson Premier Plus Respirator information obtained from the internet on Mar. 18, 2014: <http://store.parkersafetyinc.com/servlet/Detail?no=75>.

U.S. Appl. No. 29/491,539 to Blomberg et al., filed May 22, 2014, entitled Respirator Mask Having a Circular Button.

U.S. Appl. No. 29/491,540 to Blomberg et al., filed May 22, 2014, entitled Respirator Communication Grill.

U.S. Appl. No. 29/491,541 to Blomberg et al., filed May 22, 2014, entitled Respirator Engagement Opening.

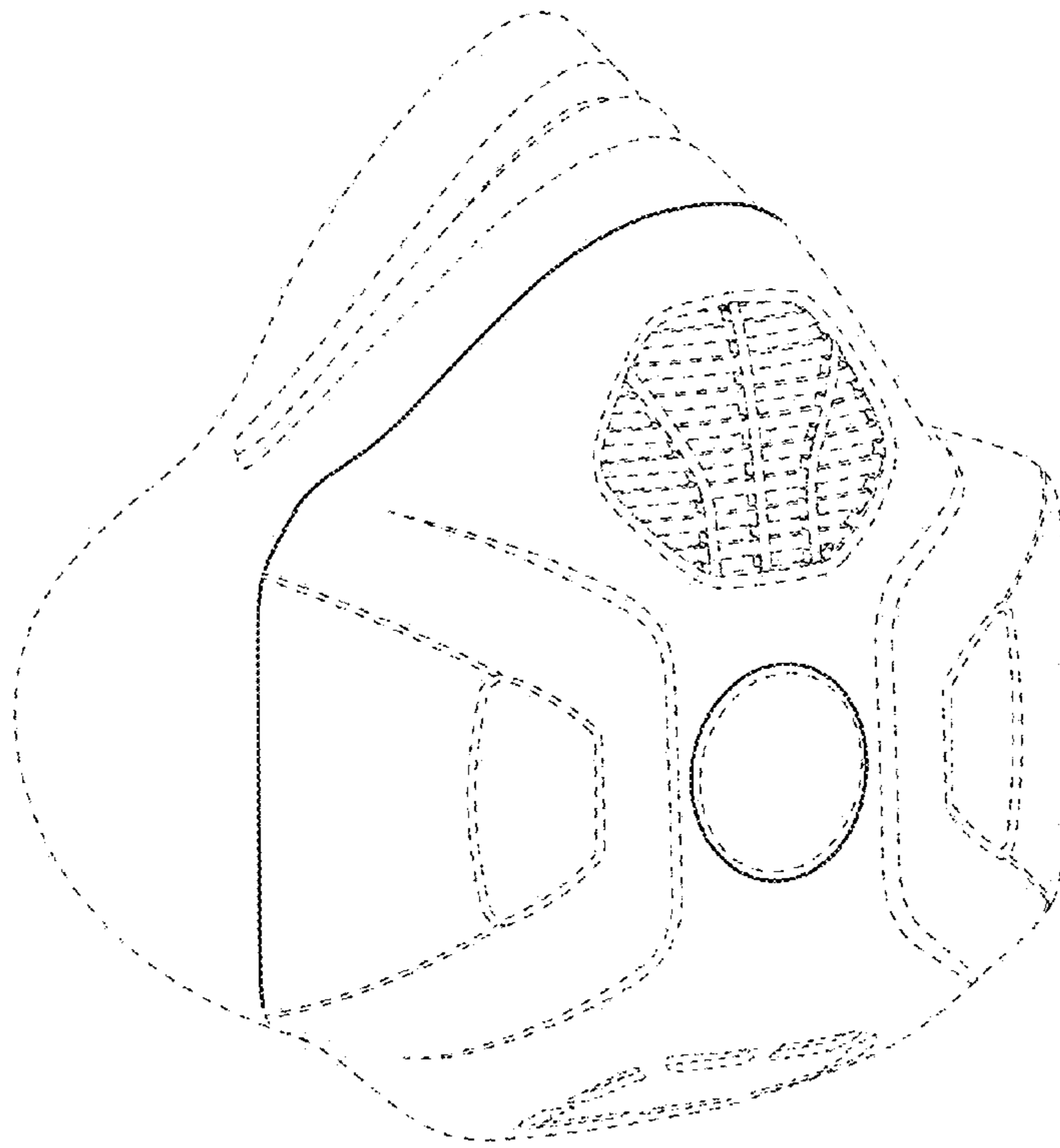
U.S. Appl. No. 29/491,542 to Blomberg et al., filed May 22, 2014, entitled Respirator Mask.

U.S. Appl. No. 29/491,544 to Blomberg et al., filed May 22, 2014, entitled Respirator Mask Exhalation Port.

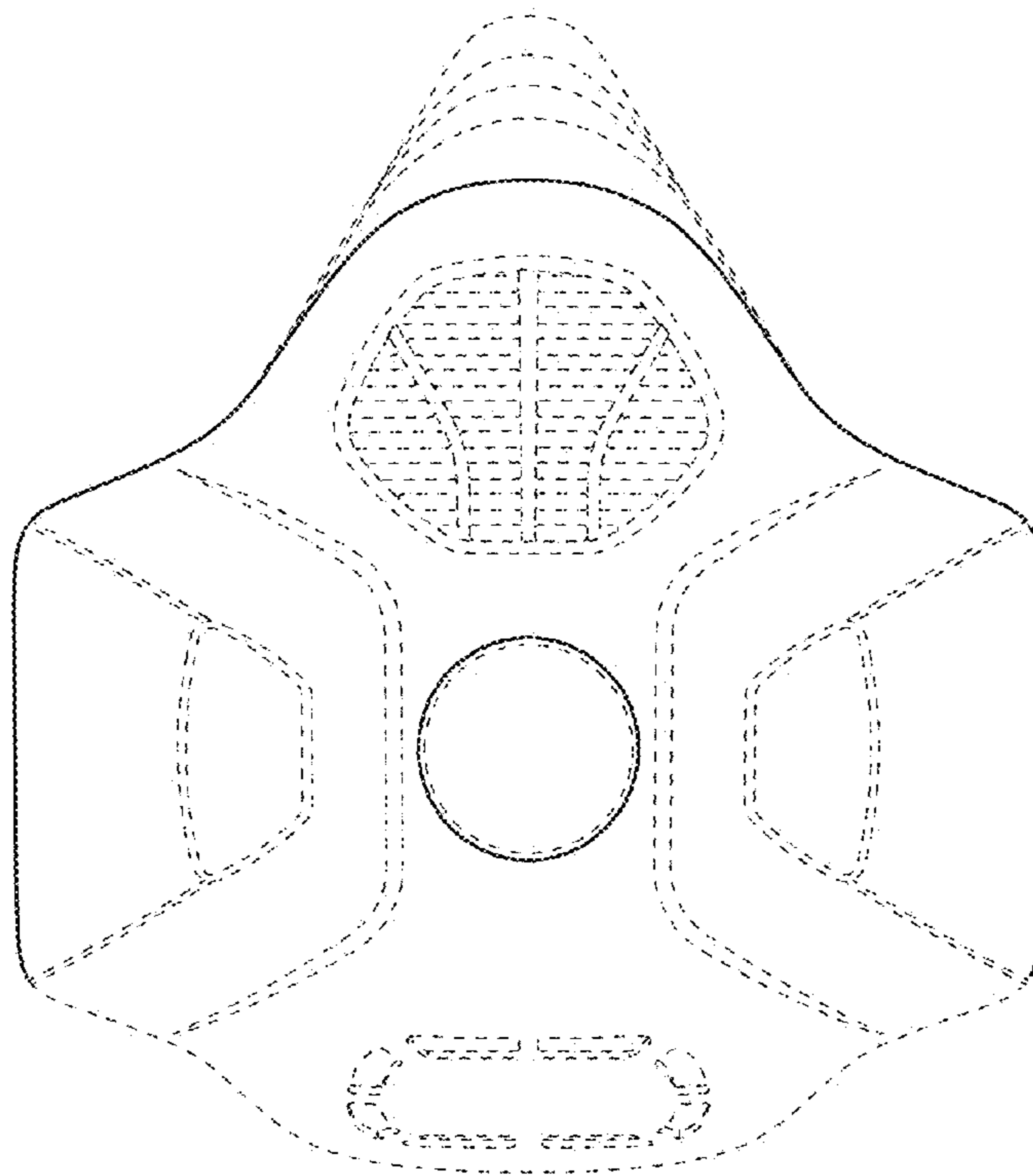
U.S. Appl. No. 29/491,545 to Blomberg et al., filed May 22, 2014, entitled Respirator Mask Body.

U.S. Appl. No. 29/491,546 to Mittelstadt et al., filed May 22, 2014, entitled Respirator Mask Having a Face Seal Flexing Region.

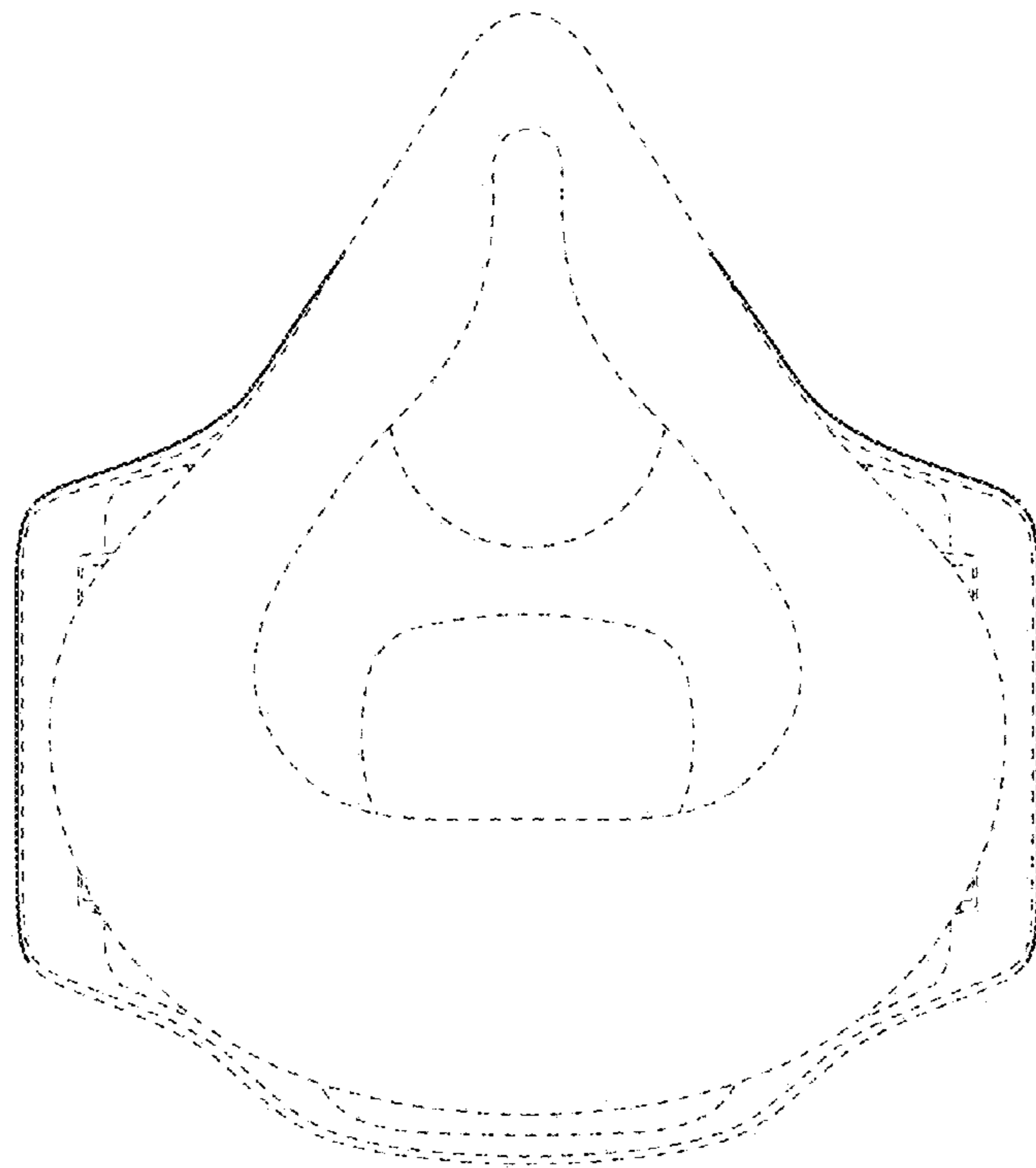
\* cited by examiner



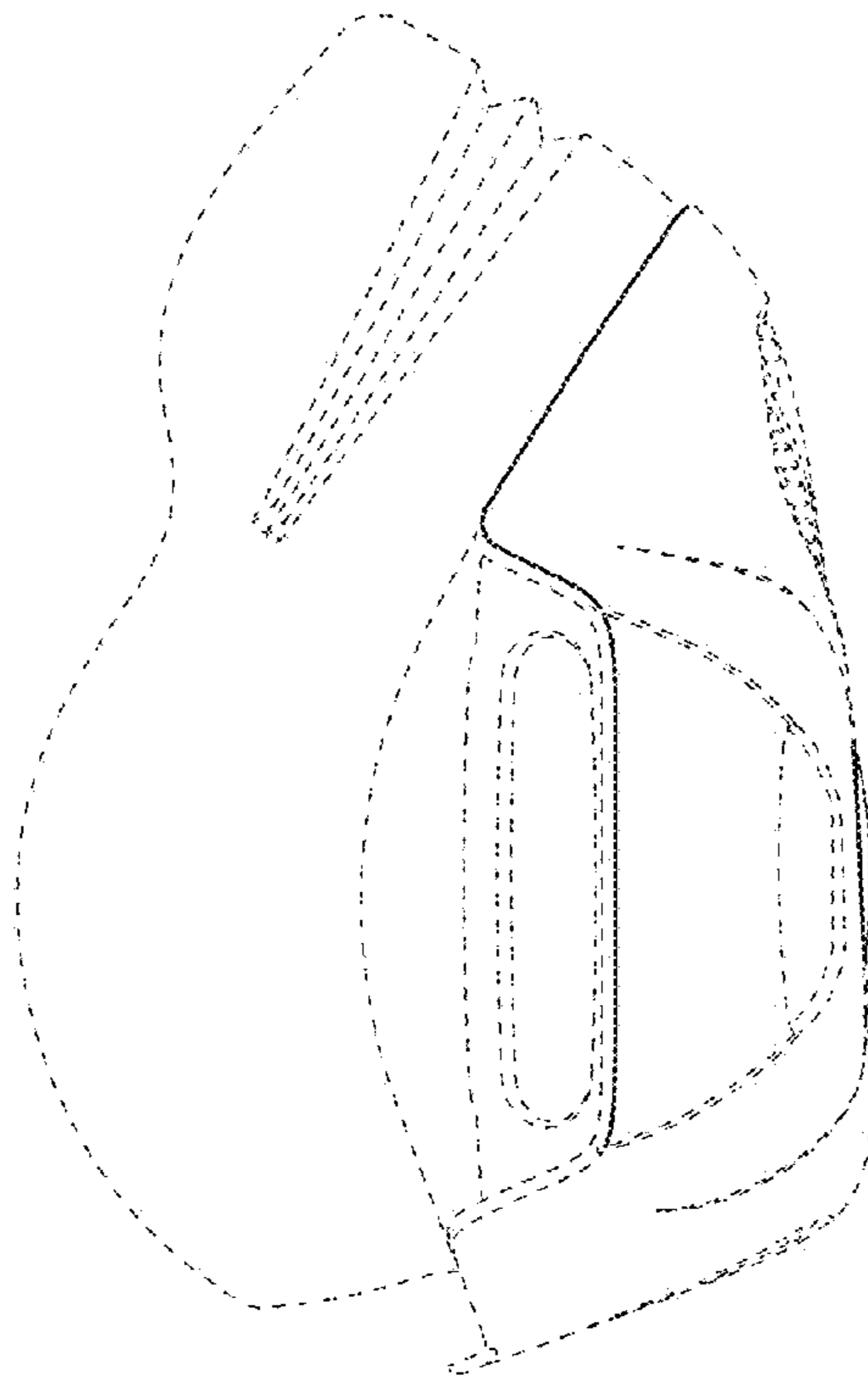
*Fig. 1*



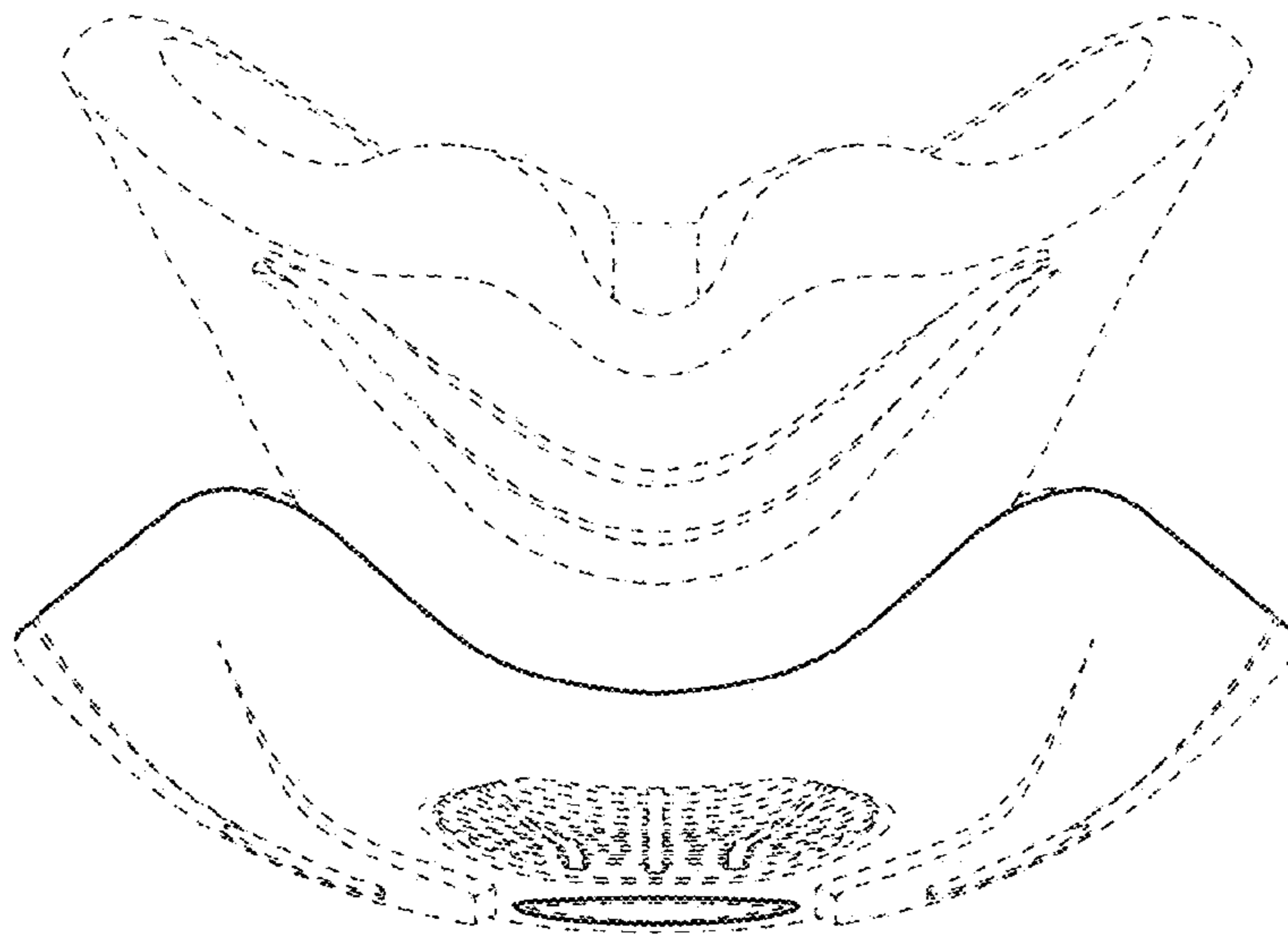
*Fig. 2*



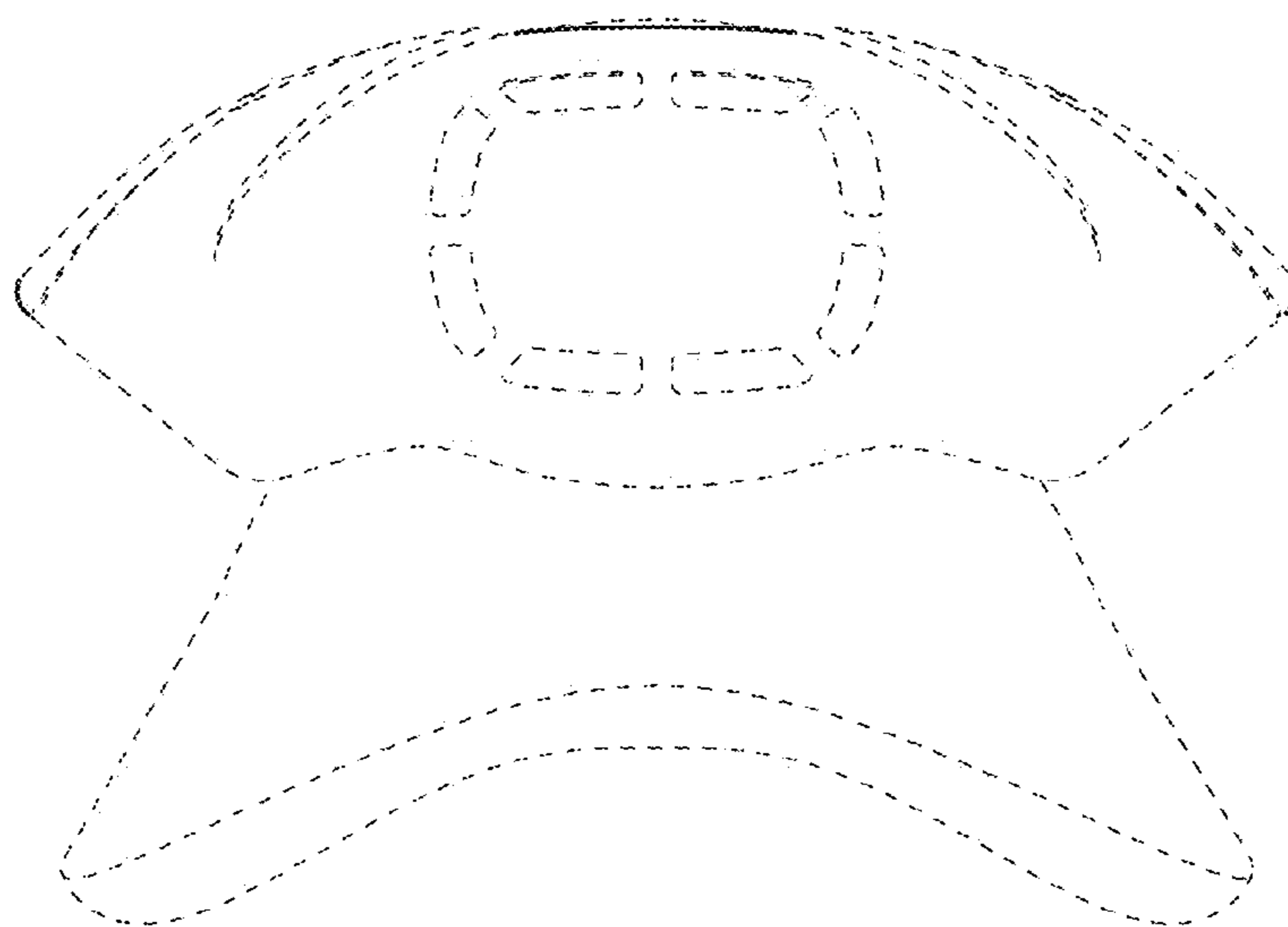
***Fig. 3***



***Fig. 4***



*Fig. 5*



*Fig. 6*