



US00D743534S

(12) **United States Design Patent**
Mehta

(10) **Patent No.:** **US D743,534 S**

(45) **Date of Patent:** **** Nov. 17, 2015**

(54) **EAR CANAL SPRAY NOZZLE ASSEMBLY**

(76) Inventor: **Ketan C. Mehta**, Santa Rosa, CA (US)

(**) Term: **14 Years**

(21) Appl. No.: **29/424,939**

(22) Filed: **Jun. 18, 2012**

(51) **LOC (10) Cl.** **24-01**

(52) **U.S. Cl.**
USPC **D24/108; D24/121**

(58) **Field of Classification Search**

USPC D24/108, 121, 127, 151; D9/516, 517,
D9/526, 719; 220/661, 914; 424/437;
604/93.01, 257, 319, 514, 526

CPC A61M 31/00
See application file for complete search history.

(56) **References Cited**

U.S. PATENT DOCUMENTS

638,332	A *	12/1899	Hendricks	224/674
D247,800	S *	5/1978	Talge et al.	D7/374
5,578,019	A *	11/1996	Feldman	604/295
D377,091	S *	12/1996	Scott, Sr.	D24/121
6,010,488	A *	1/2000	Deas	604/295
6,423,040	B1 *	7/2002	Benktzon et al.	604/300
D524,807	S *	7/2006	Topinka	D14/253
D542,910	S *	5/2007	MacRae et al.	D24/108
D583,933	S *	12/2008	Finney	D24/121
2010/0179490	A1 *	7/2010	Connelly et al.	604/257

OTHER PUBLICATIONS

Examination Report in Community Design Nos. 2154112-1, 2154112-2, and 2154112-3, mailed Jan. 9, 2013, 2 pages.
Office Action in Japanese Application No. 2012-30775, mailed Feb. 25, 2013, 4 pages.

Examiner's Report in Canadian Application No. 149104, mailed Nov. 7, 2013, 4 pages.

* cited by examiner

Primary Examiner — Ian Simmons

Assistant Examiner — Richelle G Shelton

(74) *Attorney, Agent, or Firm* — Fish & Richardson P.C.

(57) **CLAIM**

The ornamental design for an ear canal spray nozzle assembly, as shown and described.

DESCRIPTION

FIG. 1 is a perspective view of an ear canal spray nozzle assembly.

FIG. 2 is a left side view of the ear canal spray nozzle assembly of FIG. 1.

FIG. 3 is a right side view of the ear canal spray nozzle assembly of FIG. 1.

FIG. 4 is a front view of the ear canal spray nozzle assembly of FIG. 1.

FIG. 5 is a rear view of the ear canal spray nozzle assembly of FIG. 1.

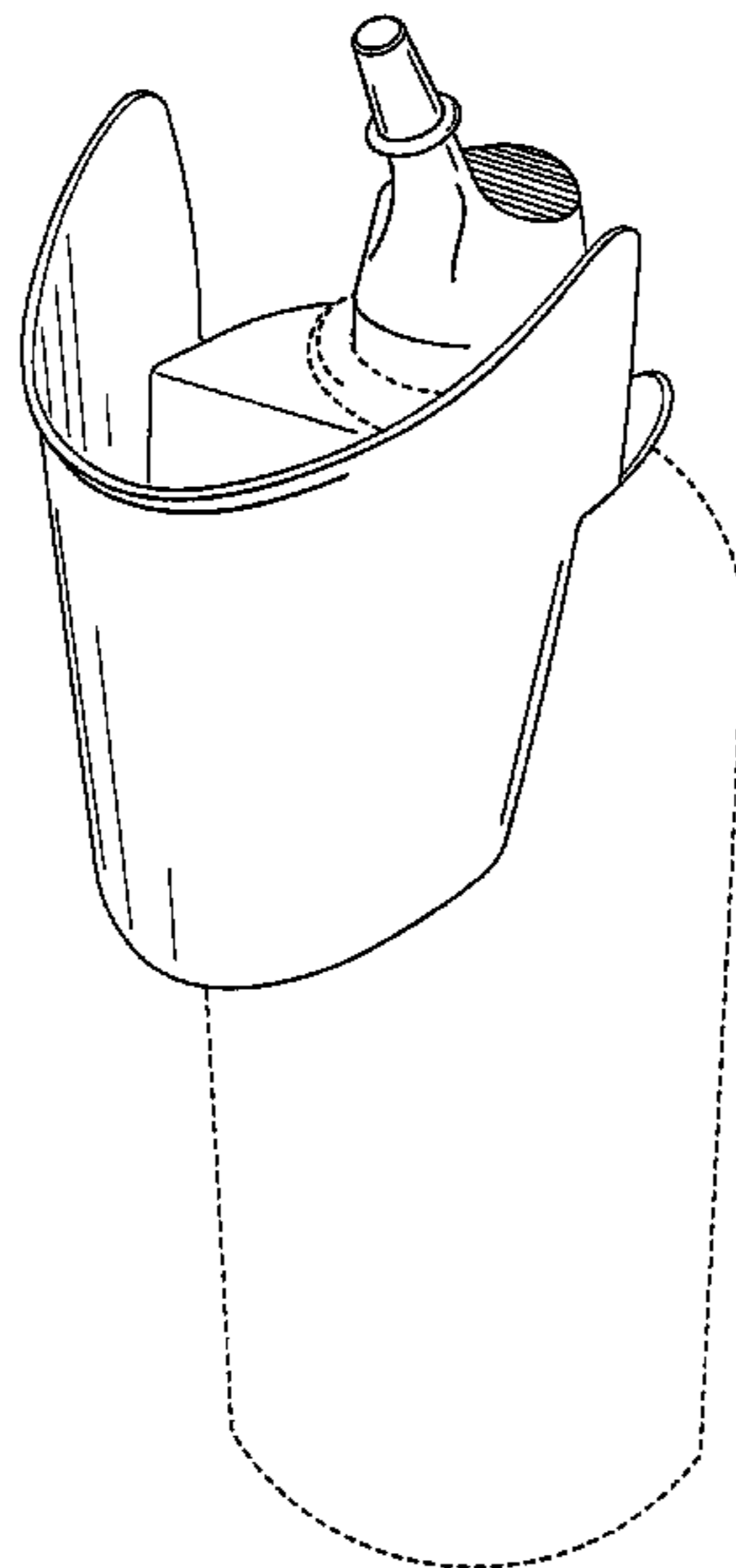
FIG. 6 is a top view of the ear canal spray nozzle assembly of FIG. 1.

FIG. 7 is a bottom view of the ear canal spray nozzle assembly of FIG. 1; and,

FIG. 8 is a top view of the ear canal spray nozzle assembly of FIG. 1 shown without the bottle for clarity of illustration of the bottle neck clip.

The dot dash broken line showing immediately adjacent the shaded form is included for the purpose of illustrating the bounds of the claimed design, while all other broken lines illustrate environmental structure and form no part of the claimed design.

1 Claim, 4 Drawing Sheets



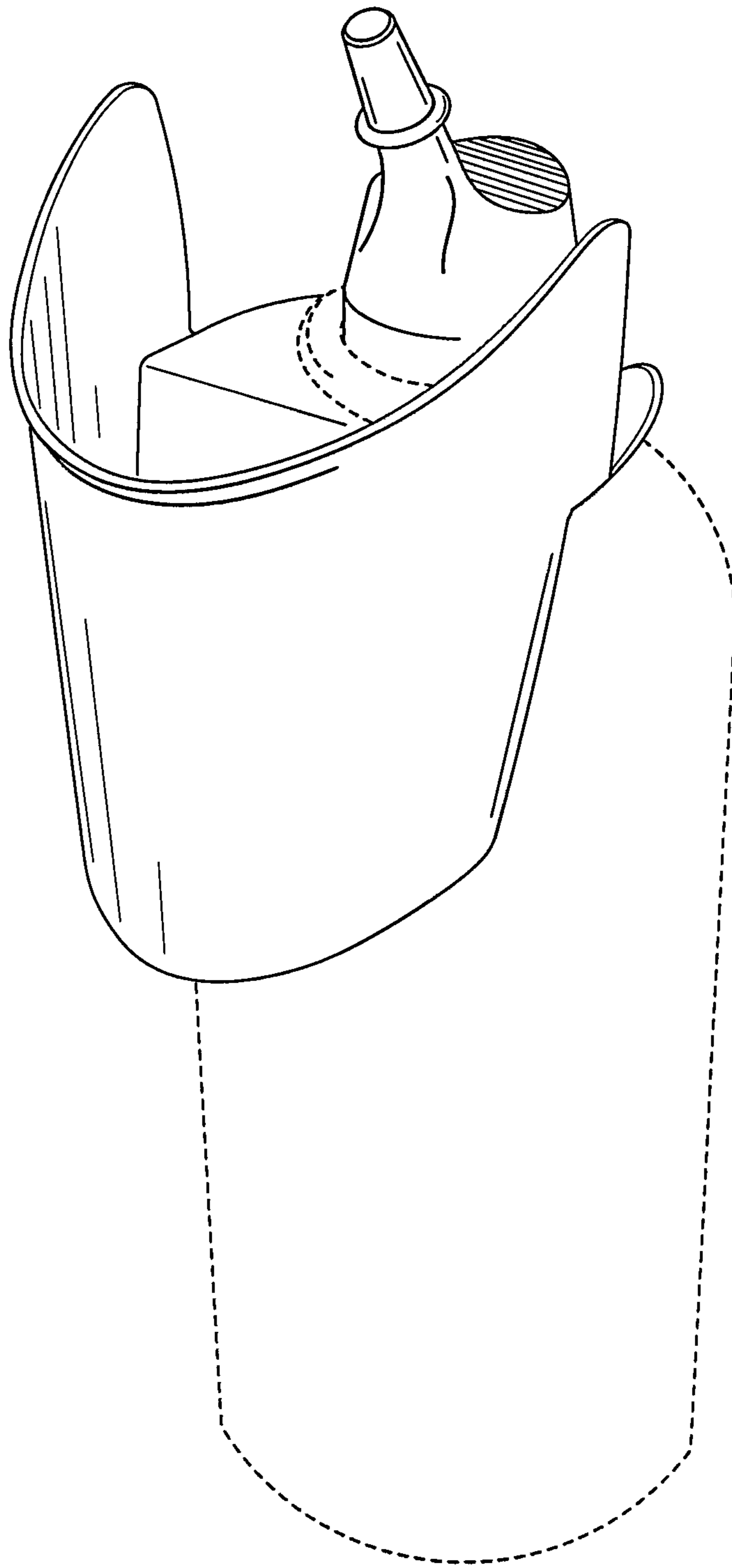


FIG. 1

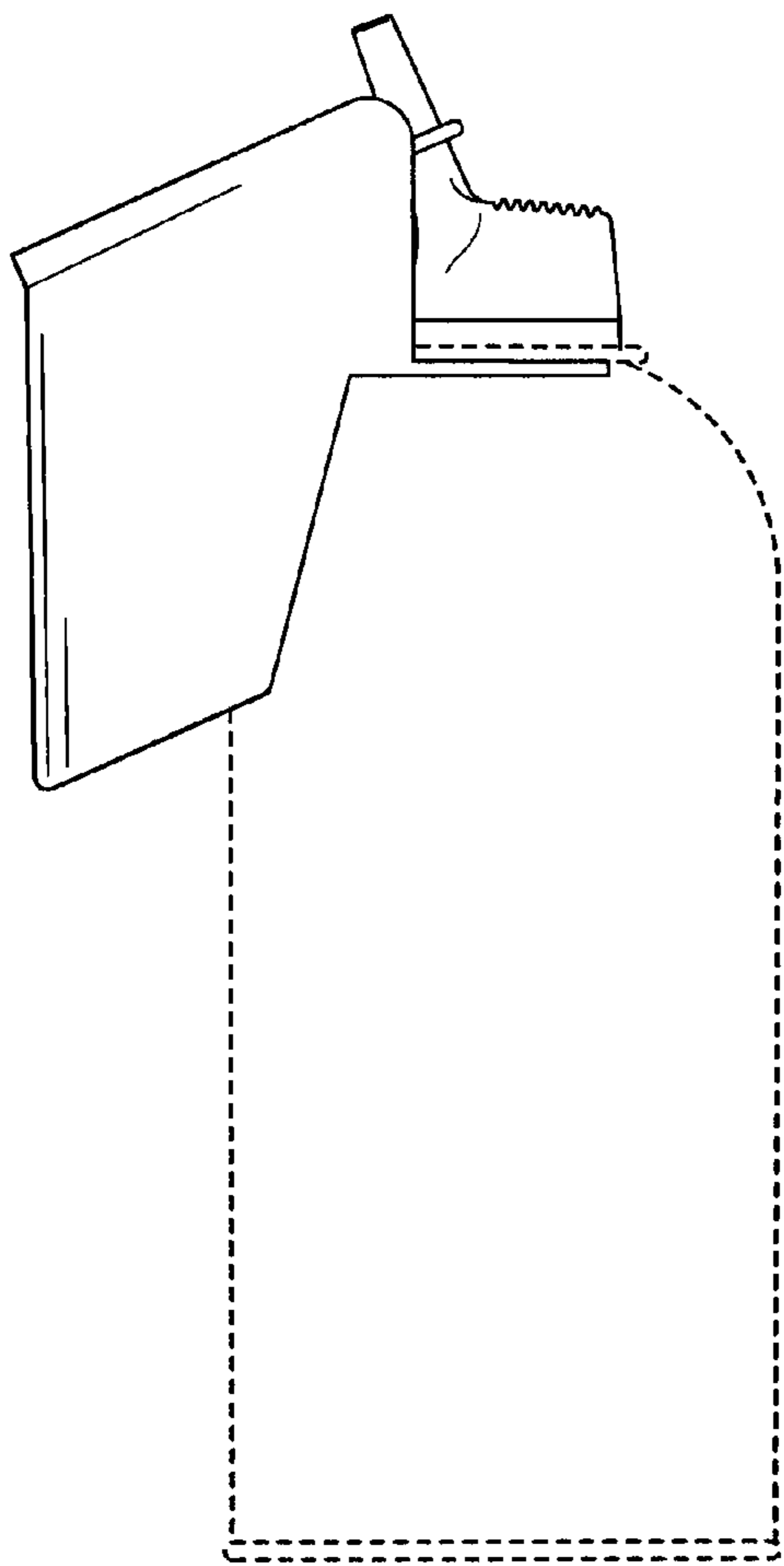


FIG. 2

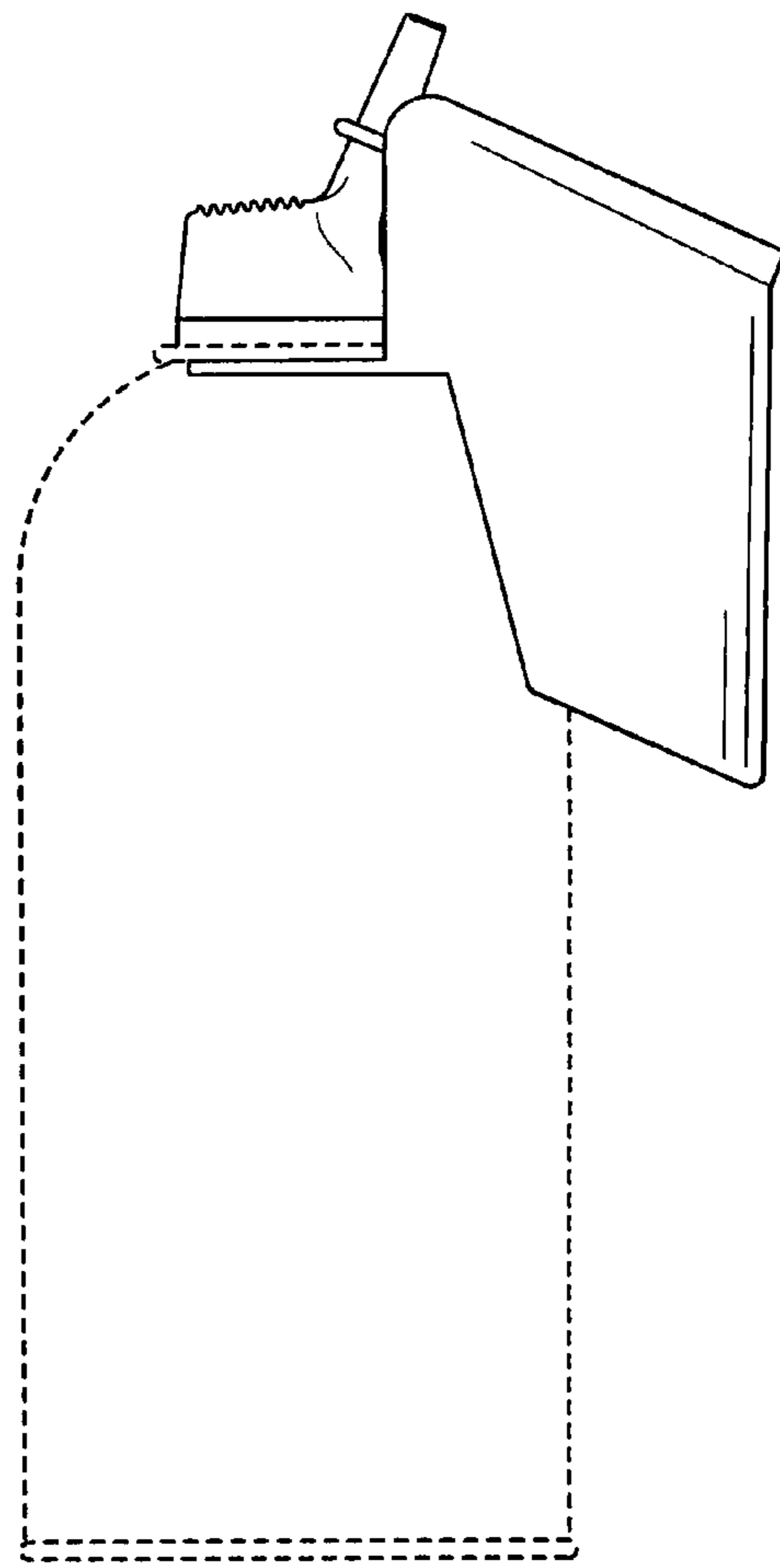


FIG. 3

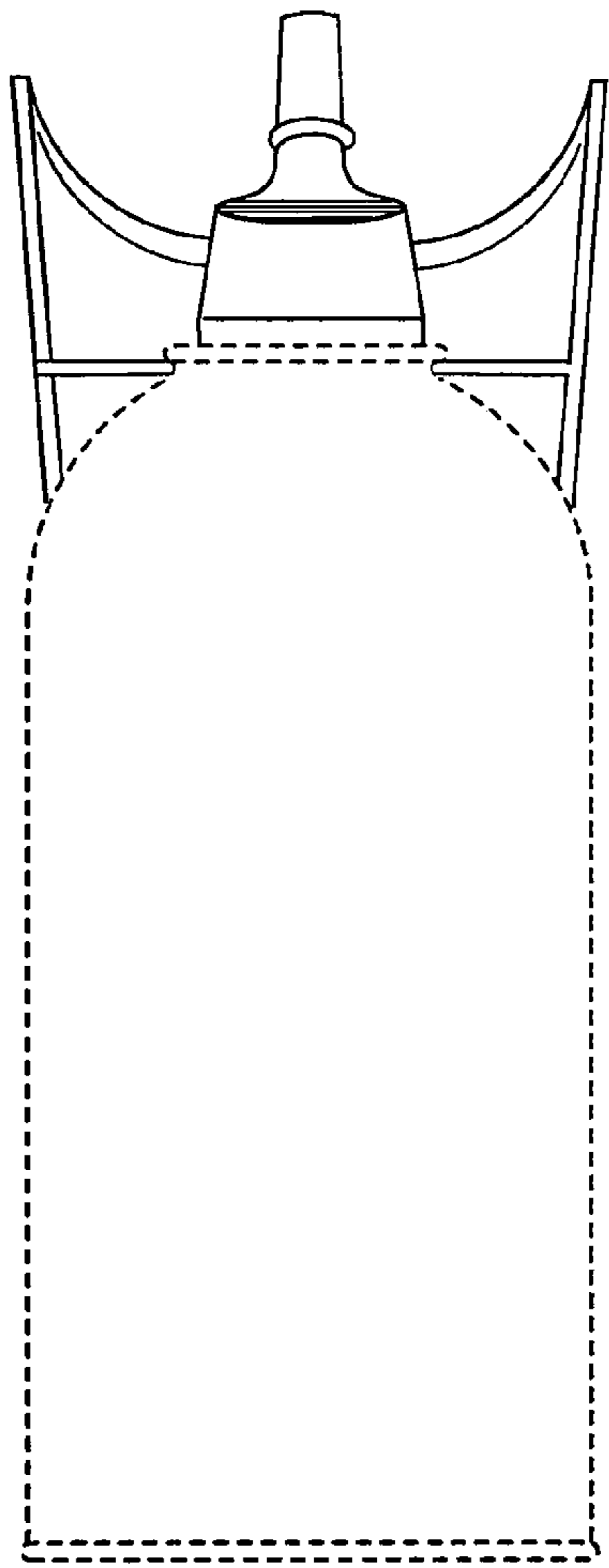


FIG. 4

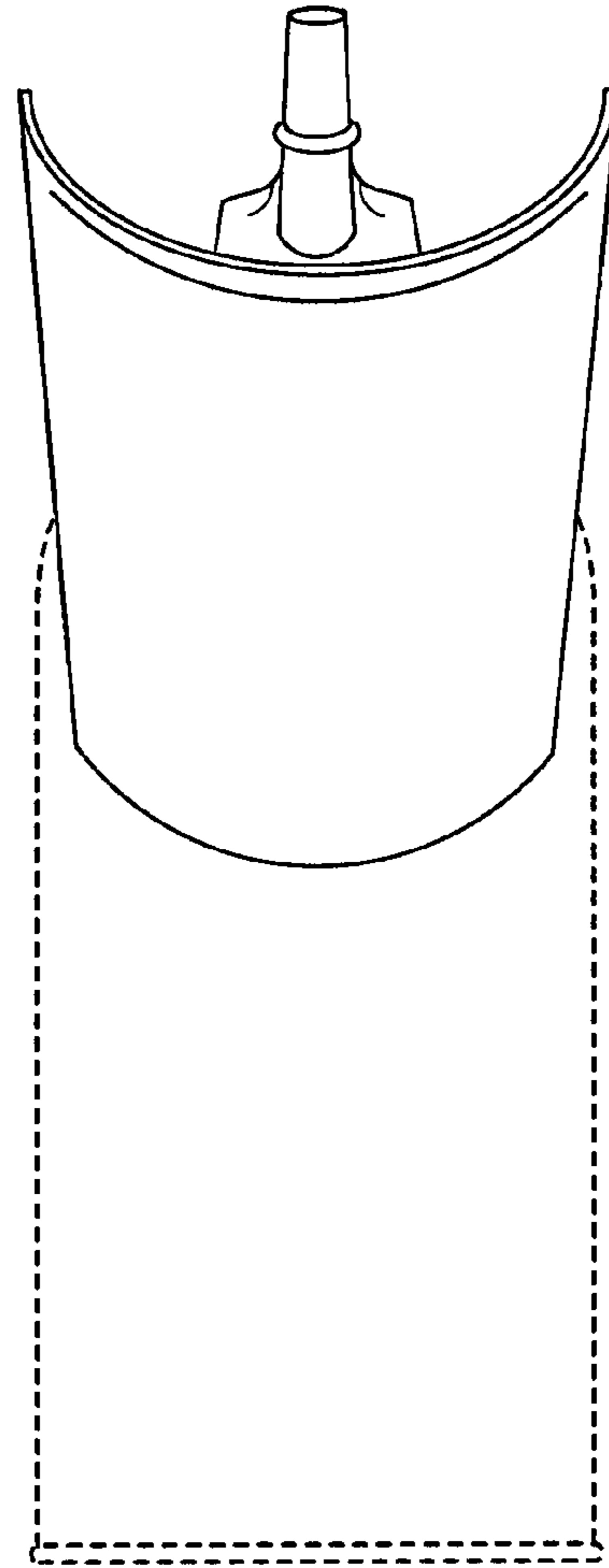


FIG. 5

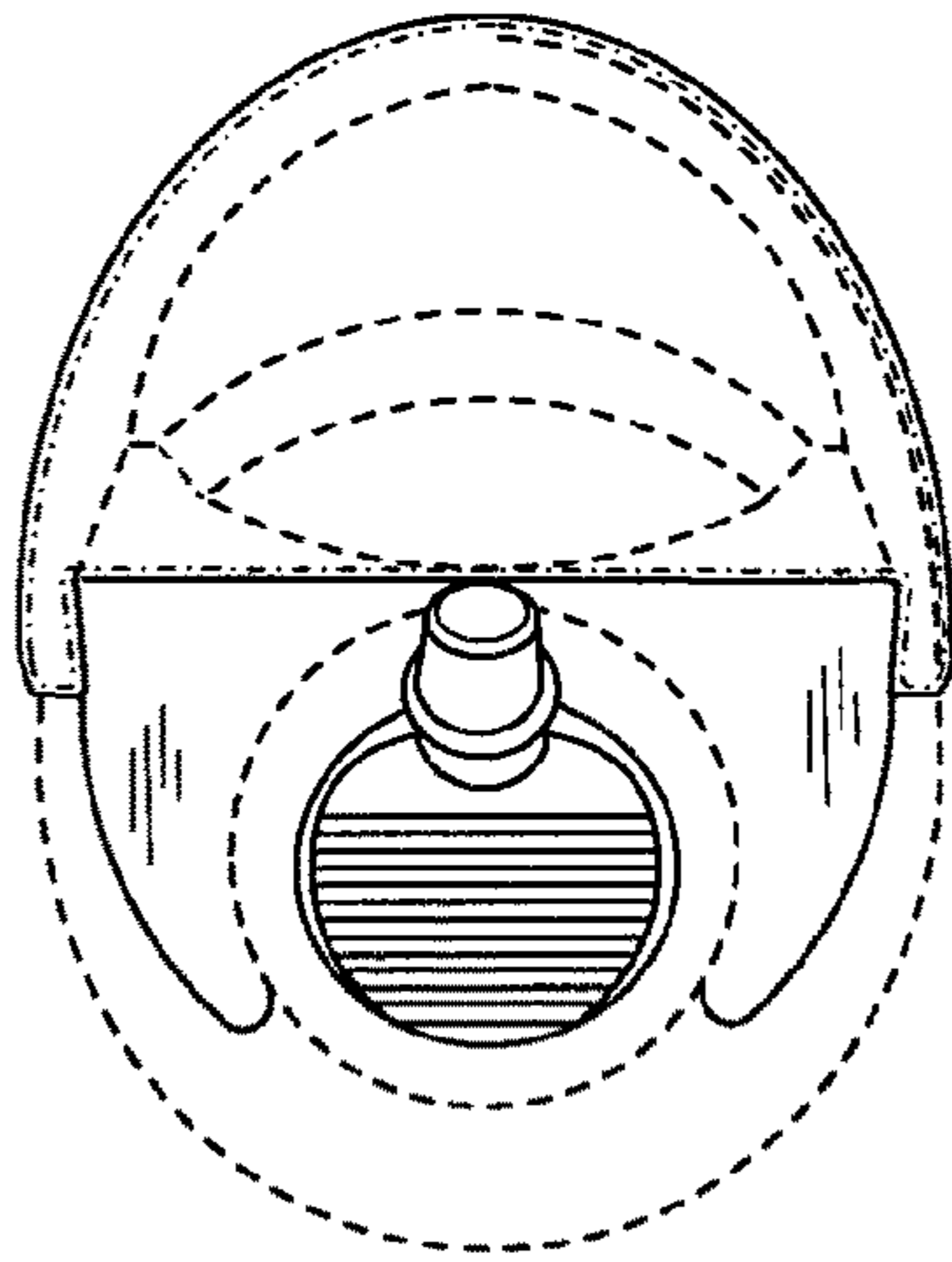


FIG. 6

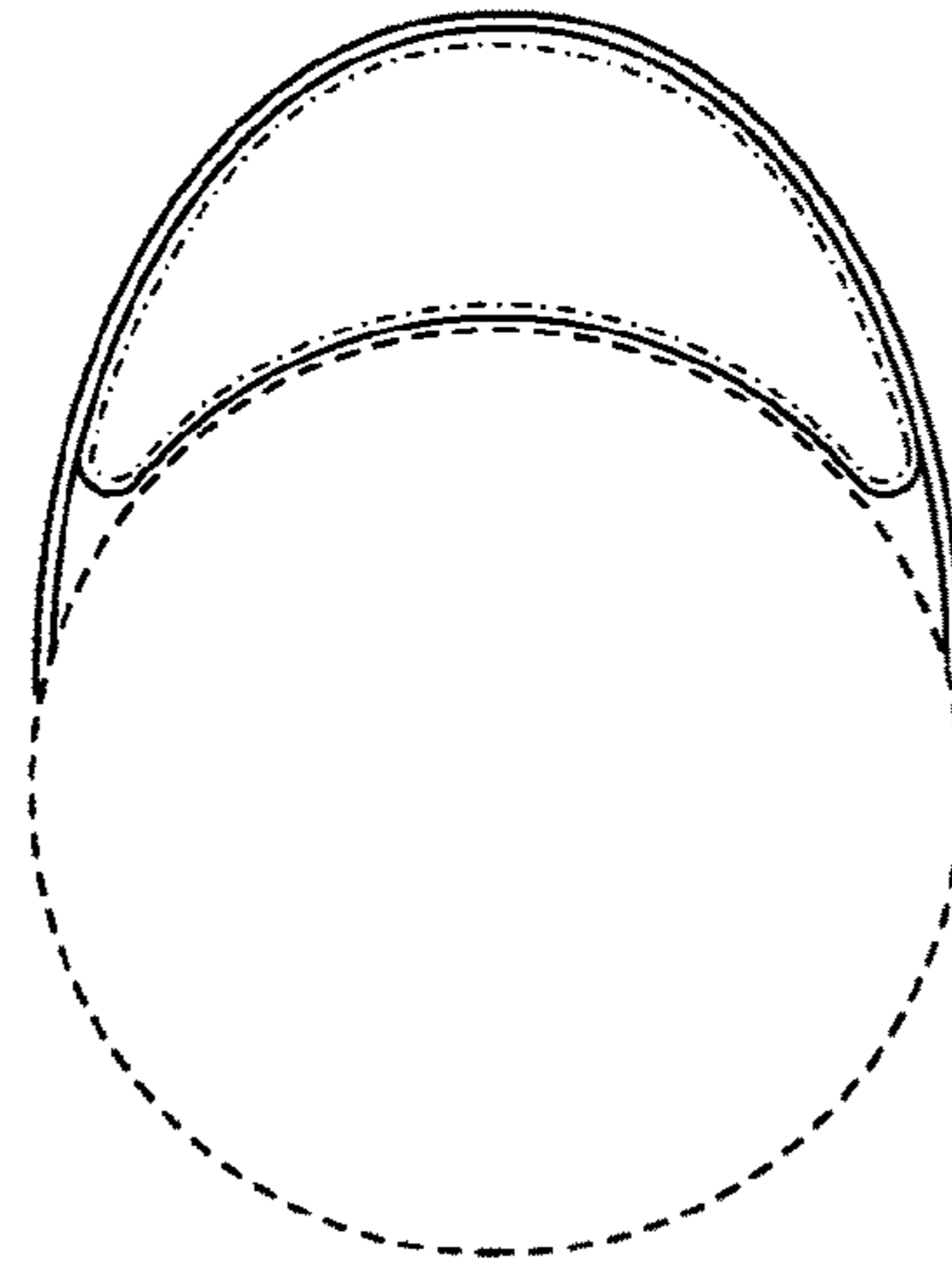


FIG. 7

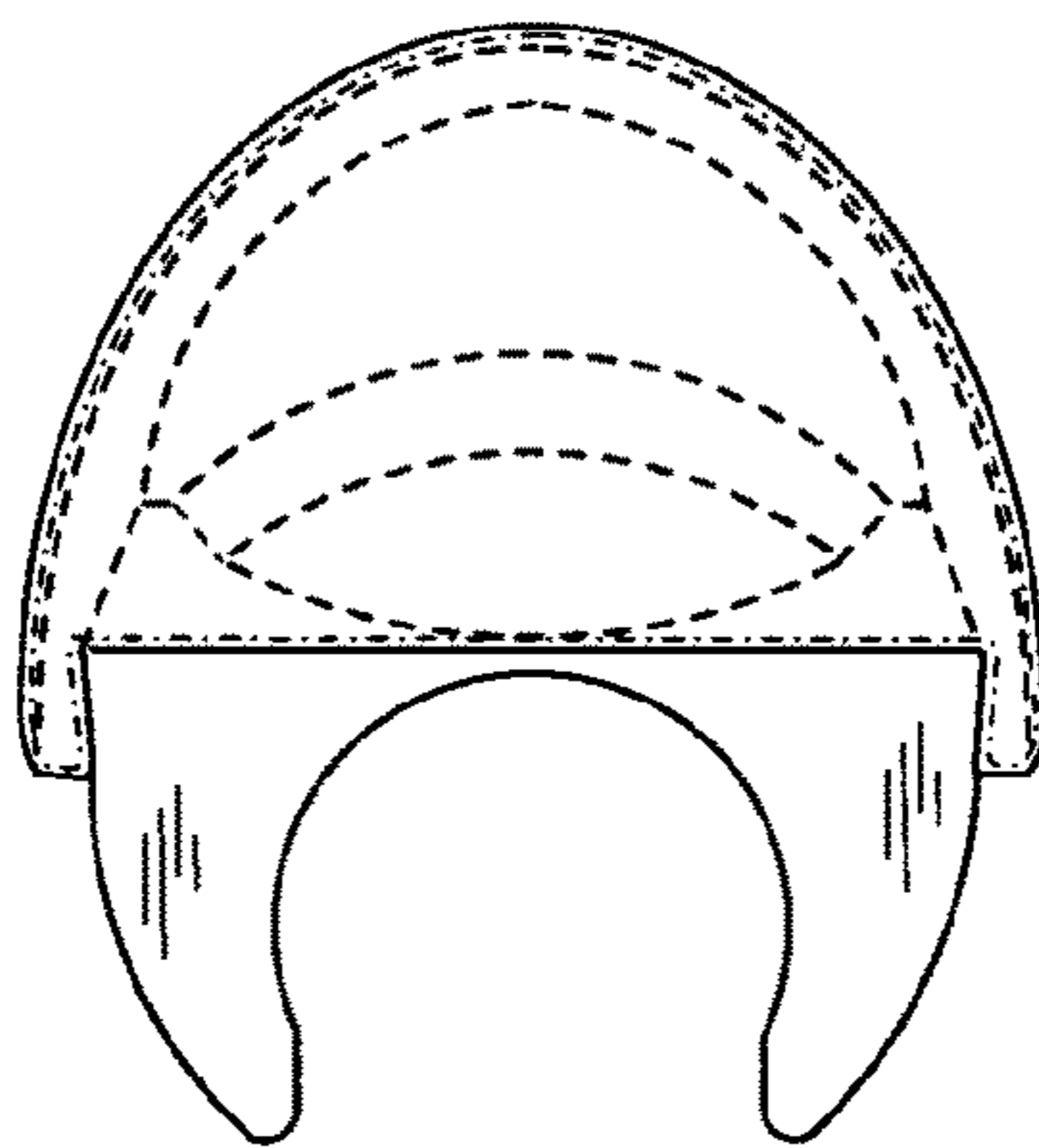


FIG. 8