



US00D743533S

(12) **United States Design Patent**
Brede et al.

(10) **Patent No.:** **US D743,533 S**

(45) **Date of Patent:** **** Nov. 17, 2015**

(54) **MAGNETIC SEPARATION APPARATUS**

(56) **References Cited**

(75) Inventors: **Gaute Brede**, Ranheim (NO); **Darren Ellis**, Lommedalen (NO); **Tine Hildisch**, Oslo (NO); **Jez Mundy**, Fairford (GB); **Lars Nokleby**, Stabekk (NO); **Erlend Ragnhildstveit**, Oslo (NO); **Richard Toften**, Paradis (NO); **Kornelija Zgonc**, Carlsbad, CA (US)

U.S. PATENT DOCUMENTS

4,895,650	A *	1/1990	Wang	210/222
5,567,326	A	10/1996	Ekenberg et al.	
6,123,205	A *	9/2000	Dumitrescu et al.	211/74
6,193,892	B1 *	2/2001	Krueger et al.	210/695
6,562,239	B2	5/2003	Foy et al.	
7,740,759	B2	6/2010	Su et al.	
7,829,026	B2	11/2010	Su et al.	
D637,709	S *	5/2011	Brede et al.	D24/107

(73) Assignee: **Invitrogen Dynal AS** (NO)

FOREIGN PATENT DOCUMENTS

(**) Term: **14 Years**

EM	0007887990001	9/2007
EM	0007887990002	9/2007
EM	0007887990003	9/2007
EM	0007887990004	9/2007

(21) Appl. No.: **29/388,210**

OTHER PUBLICATIONS

(22) Filed: **Mar. 25, 2011**

Application No. 215253 Office Action Response-1 Month filed Sep. 8, 2008.
Application No. 215254 Office Action Response-1 Month filed Sep. 8, 2008.

Related U.S. Application Data

(62) Division of application No. 29/305,042, filed on Mar. 12, 2008, now Pat. No. Des. 637,709.

(Continued)

(30) **Foreign Application Priority Data**

Primary Examiner — Phillip S. Snyder

Sep. 12, 2007	(EM)	000788799-001
Sep. 12, 2007	(EM)	000788799-002
Sep. 12, 2007	(EM)	000788799-003
Sep. 12, 2007	(EM)	000788799-004

(74) *Attorney, Agent, or Firm* — Invitrogen Dynal AS

(51) **LOC (10) Cl.** **24-01**

(57) **CLAIM**

The ornamental design for a magnetic separation apparatus, as shown.

(52) **U.S. Cl.**
USPC **D24/107**

DESCRIPTION

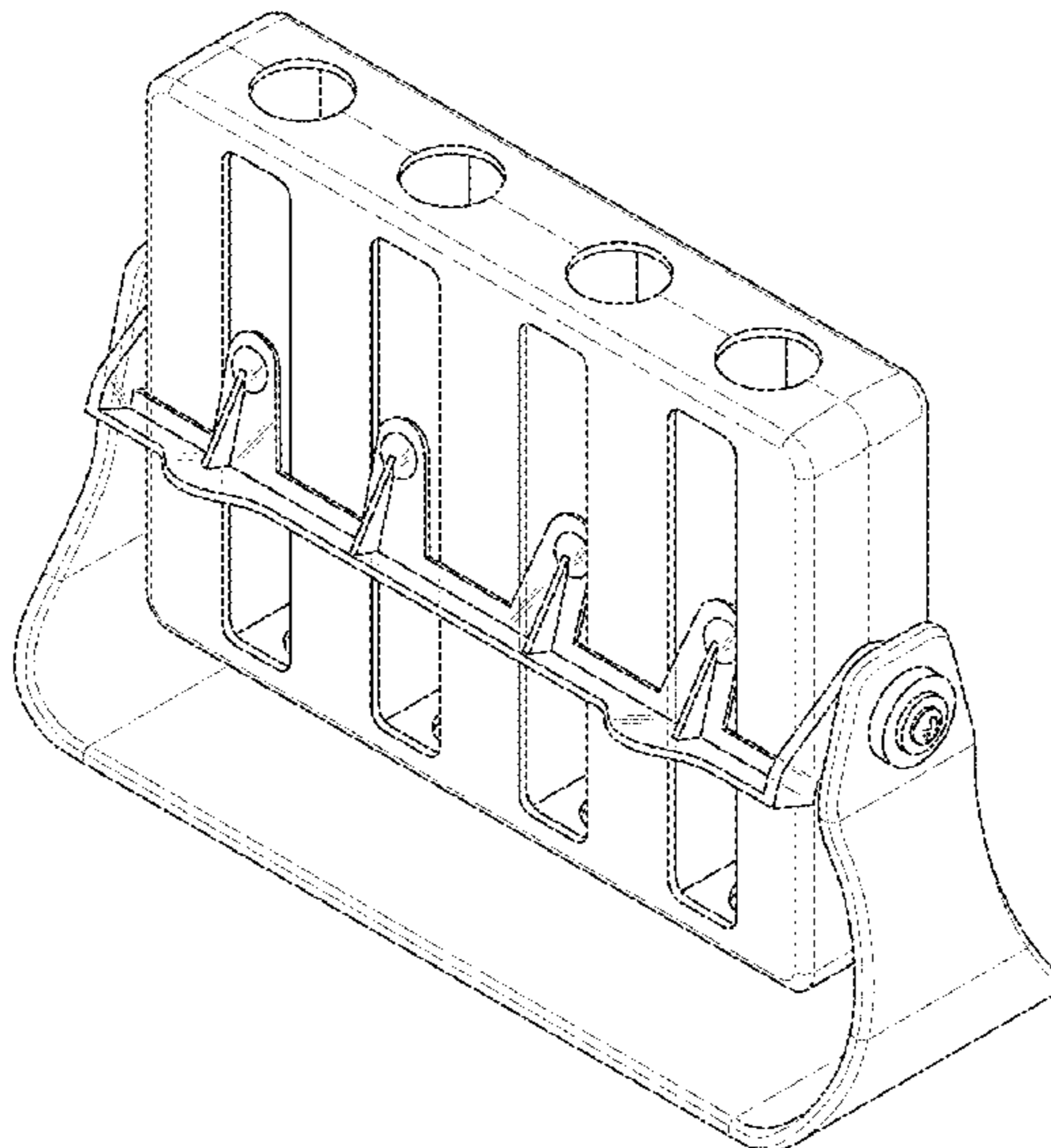
(58) **Field of Classification Search**
USPC D24/107, 108; 210/222, 232, 695;
422/101, 104

FIG. 1 is a right side elevation view of a magnetic separation apparatus, embodying our new design; FIG. 2 is a front perspective view thereof; and, FIG. 3 is a rear perspective view thereof wherein the upper portion is inverted.

No color is claimed as part of the design, nor are any logos, and/or written matter claimed as part of the design. Additionally, no claim is made to the table or shadows if shown.

See application file for complete search history.

1 Claim, 3 Drawing Sheets



(56)

References Cited

OTHER PUBLICATIONS

Application No. 215255 Office Action Response filed Sep. 8, 2008.
2008-006211, Office Action mailed Jan. 16, 2009.
2008-006211, Response to Jan. 16, 2009 Office Action, filed Mar. 26, 2009.
2008-006212, Office Action mailed Jan. 16, 2009.
2008-006213, Office Action mailed Jan. 16, 2009.
200830007288.0, Office Action mailed Apr. 8, 2009.
200830007288.0, Response to Apr. 8, 2009 Office Action.
200830007289.5, Office Action mailed Dec. 24, 2008.
200830007289.5, Office Action mailed Jun. 24, 2009.

200830007289.5, Response to Jun. 24, 2009 Office Action filed Aug. 11, 2009.
200830007290.8, Office Action Received- 1 Month Response.
200830007290.8, Response to Jan. 24, 2009 Office Action filed on May 13, 2009.
200830007291.2, Office Action mailed Feb. 4, 2009.
200830007291.2, Response to Feb. 4, 2009 Office Action filed May 8, 2009.
U.S. Appl. No. 29/305,042 Notice of Allowance mailed Dec. 29, 2010.
29305042, Office Action mailed Sep. 21, 2010.

* cited by examiner

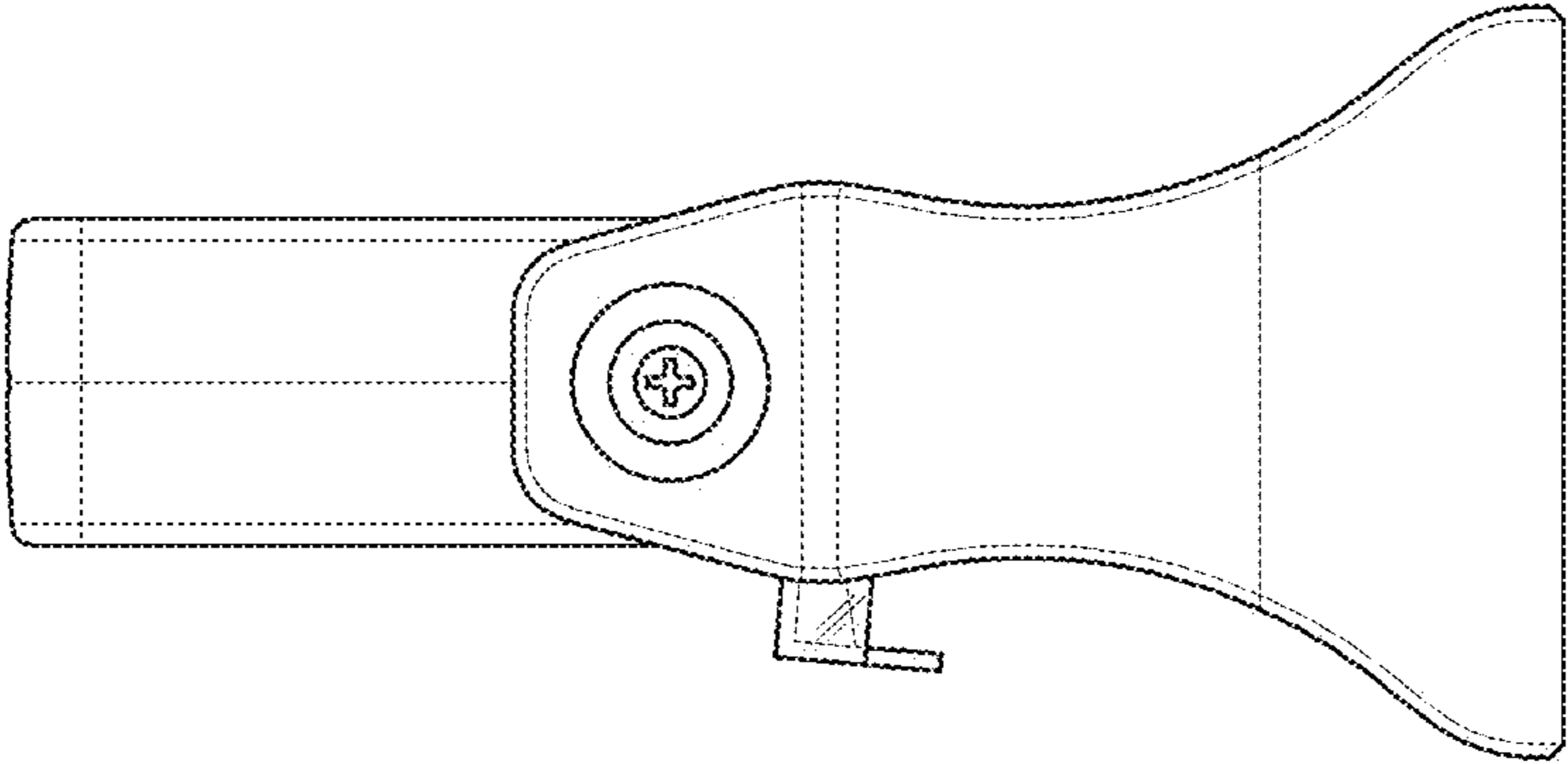


FIG. 1

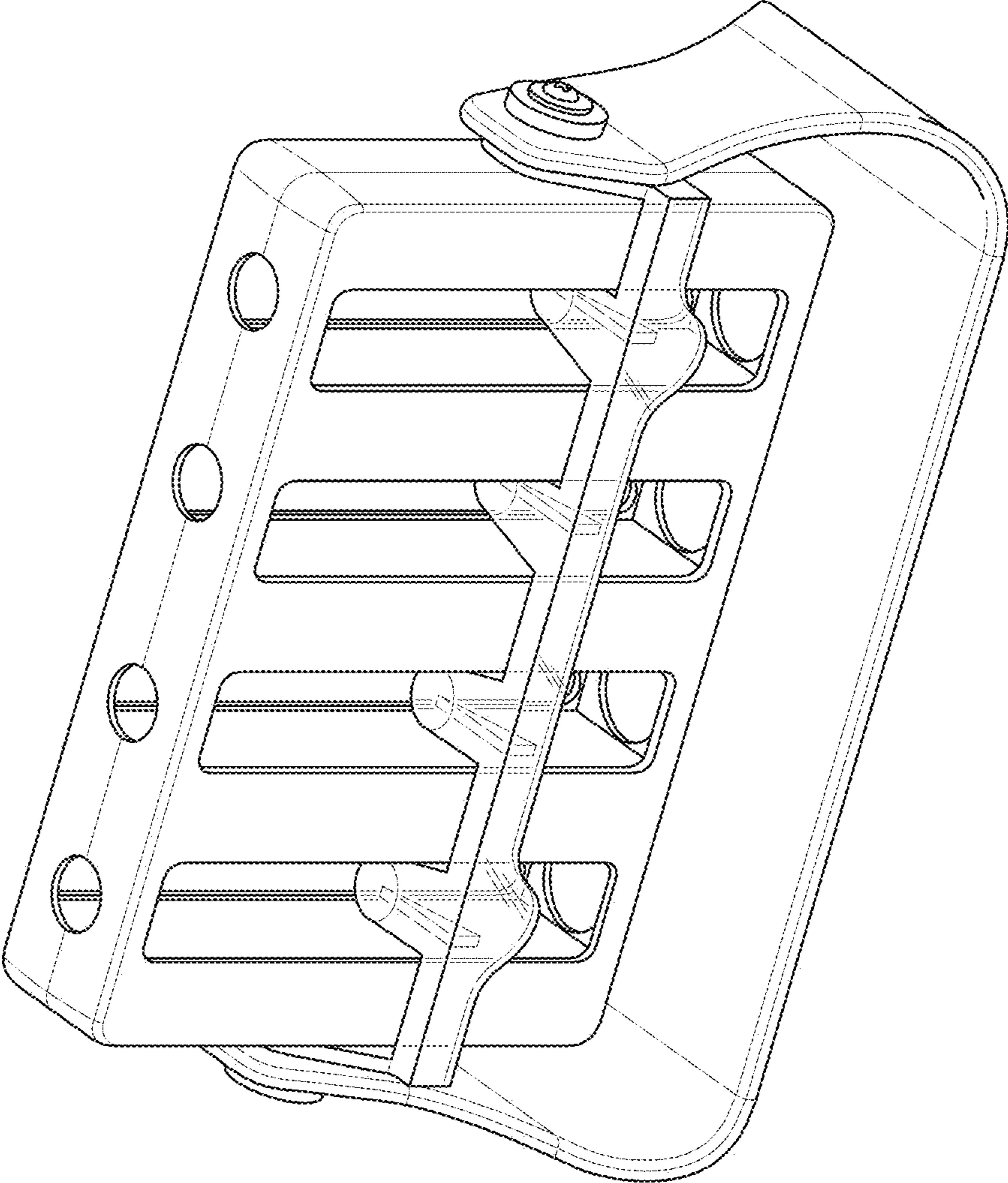


FIG. 2

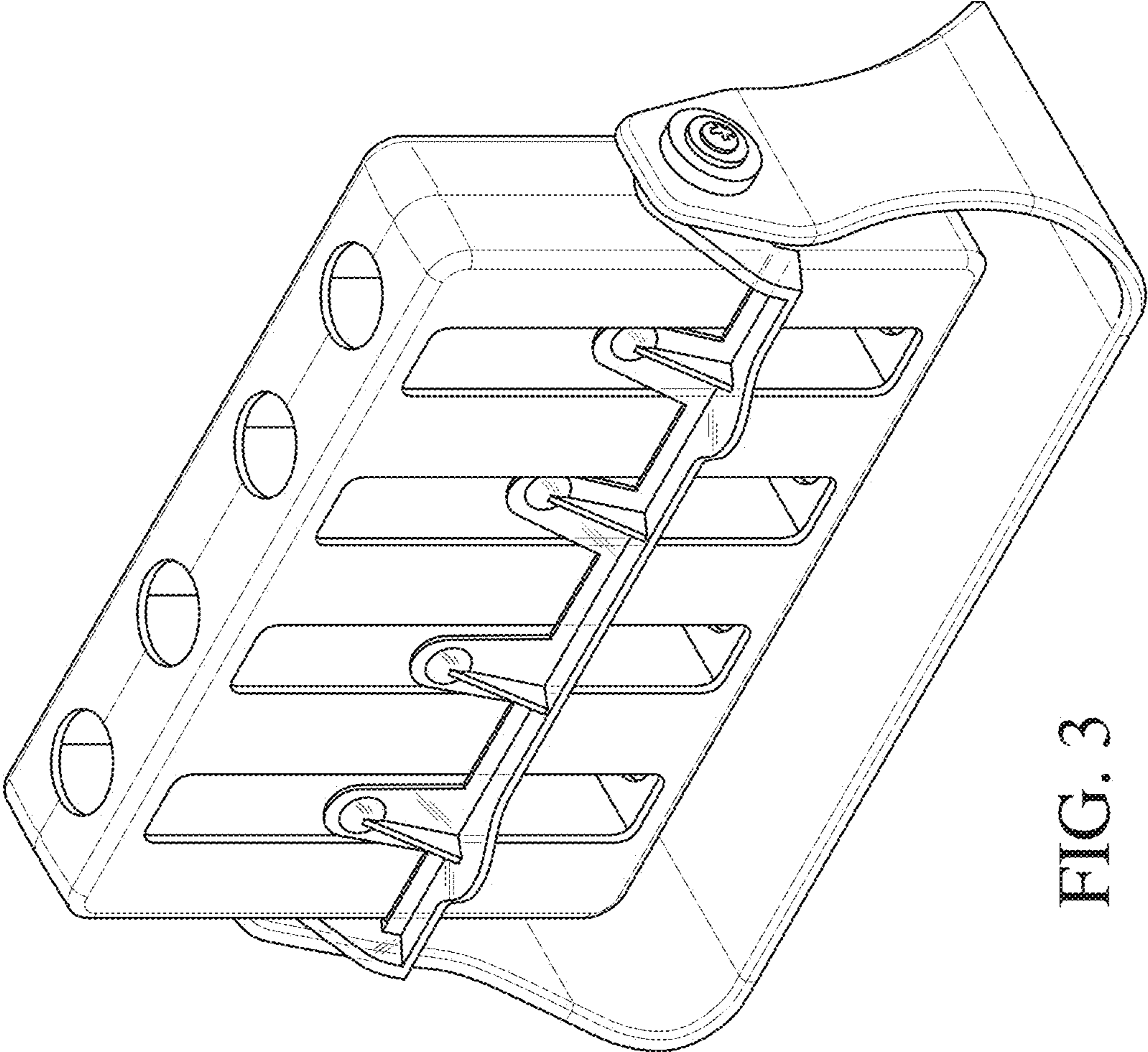


FIG. 3