



US00D743531S

(12) **United States Design Patent**
Biagioli et al.

(10) **Patent No.:** **US D743,531 S**

(45) **Date of Patent:** **** Nov. 17, 2015**

(54) **BURNER ASSEMBLY**

(75) Inventors: **Nico Biagioli**, Porcia (IT); **Fabio Rasi**, Porcia (IT)

(73) Assignee: **Electrolux Home Products Corporation N.V.**, Brussels (BE)

(**) Term: **14 Years**

(21) Appl. No.: **29/432,157**

(22) Filed: **Sep. 13, 2012**

(30) **Foreign Application Priority Data**

Mar. 13, 2012 (EM) 002007344

(51) **LOC (10) Cl.** **23-03**

(52) **U.S. Cl.**
USPC **D23/415**

(58) **Field of Classification Search**
USPC D23/405, 407, 409, 410, 415-422, 499;
D7/403, 404, 407; D13/100; 44/530,
44/550; 126/39 E, 144, 148, 242, 243, 258,
126/500, 540
CPC F23D 1/00; F23D 2900/14063
See application file for complete search history.

(56) **References Cited**

U.S. PATENT DOCUMENTS

4,565,523	A *	1/1986	Berkelder	431/354
D309,398	S *	7/1990	Lund	D7/407
5,149,262	A *	9/1992	Riehl	431/258
D370,594	S *	6/1996	Ferlin	D7/407
D399,093	S *	10/1998	Hayes	D7/407
5,875,974	A *	3/1999	Kwiatek	239/554
6,325,619	B2 *	12/2001	Dane	431/284
6,589,046	B2 *	7/2003	Harneit	431/266
6,780,009	B2 *	8/2004	Harneit	431/354
7,040,890	B2 *	5/2006	Todoli et al.	431/266

D564,296	S *	3/2008	Koch et al.	D7/407
D642,257	S *	7/2011	Mann	D23/418
2005/0250065	A1 *	11/2005	Carbone et al.	431/354
2008/0145809	A1 *	6/2008	Starnini et al.	431/354
2008/0206697	A1 *	8/2008	Trochou	431/284
2010/0000515	A1 *	1/2010	Tomaselli et al.	126/39 E
2010/0051013	A1 *	3/2010	Cadeau et al.	126/39 E
2010/0186730	A1 *	7/2010	Cadeau et al.	126/39 E
2010/0212324	A1 *	8/2010	Bronson et al.	60/752
2010/0233643	A1 *	9/2010	Biagioli et al.	431/284
2010/0279238	A1 *	11/2010	Harneit	431/144
2010/0319677	A1 *	12/2010	Lacche	126/39 E
2011/0143295	A1 *	6/2011	Fowler	431/285
2011/0290231	A1 *	12/2011	Padgett	126/215
2013/0174837	A1 *	7/2013	Cadima	126/39 E
2014/0090636	A1 *	4/2014	Bettinzoli	126/39 E

* cited by examiner

Primary Examiner — Karen S Acker

(74) *Attorney, Agent, or Firm* — Banner & Witcoff, Ltd.

(57) **CLAIM**

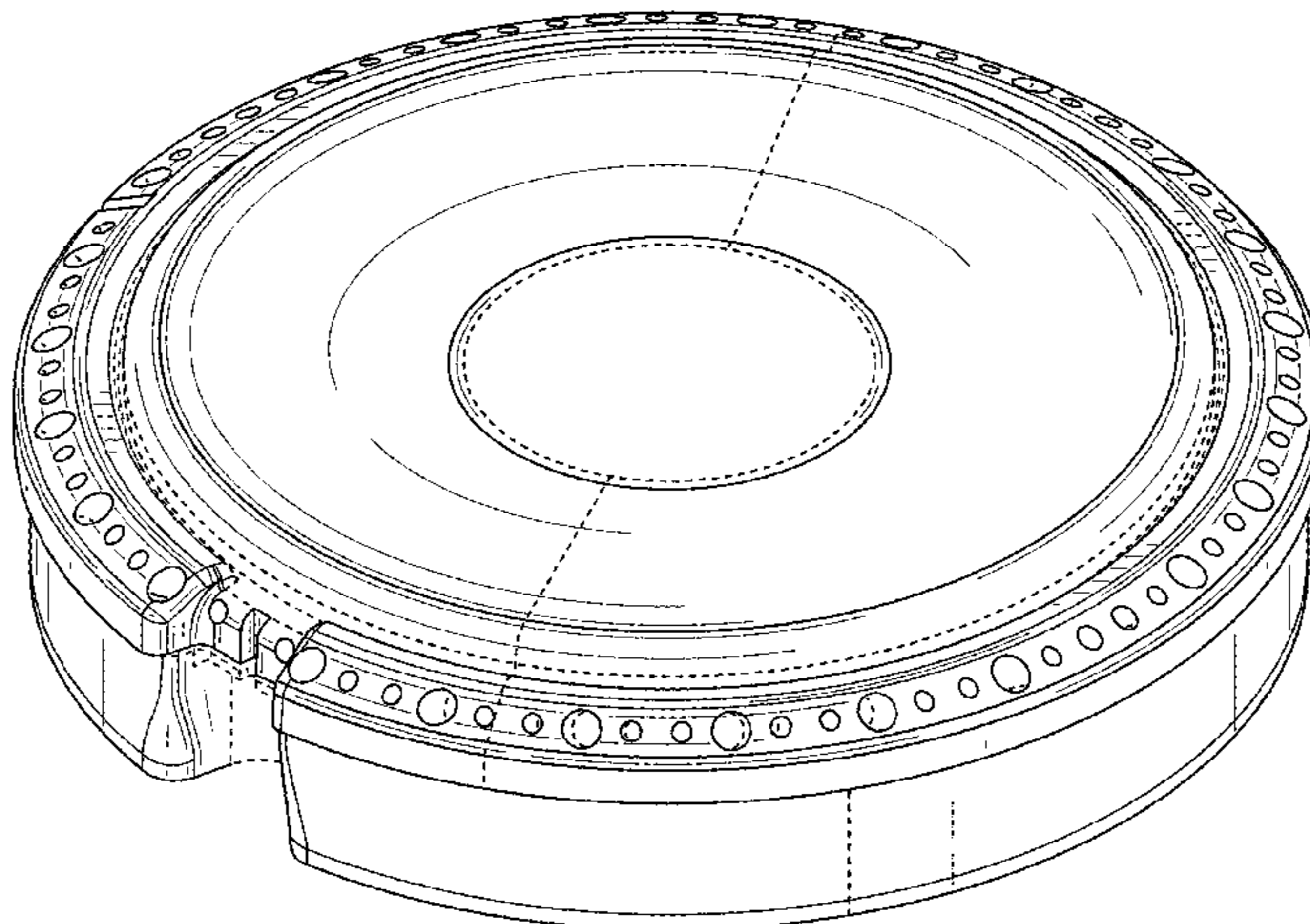
The ornamental design for a burner assembly, as shown and described.

DESCRIPTION

FIG. 1 is a front perspective view of a burner assembly showing our new design;
FIG. 2 is a top view thereof;
FIG. 3 is a left side view thereof;
FIG. 4 is a right side view thereof;
FIG. 5 is a front view thereof; and,
FIG. 6 is a rear view thereof.

The unshaded center circular area and the broken line surrounding it are portions of the burner assembly that are not included in the claim. The interiors of the circular ports surrounding the top outer edging of the article depict portions of the burner assembly that form no part of the claimed design. All other broken lines illustrate environmental material that forms no part of the claimed design.

1 Claim, 6 Drawing Sheets



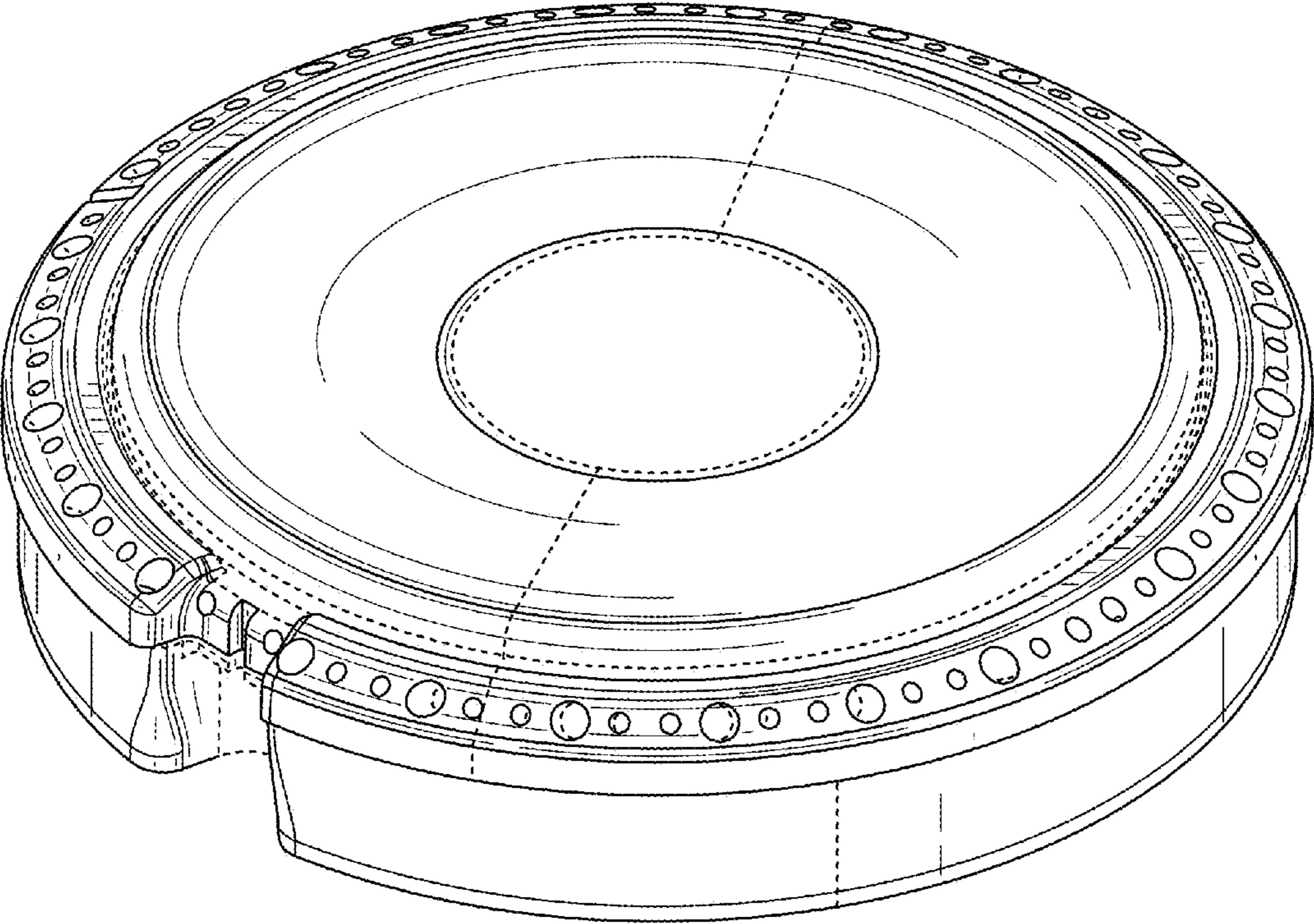


FIG. 1

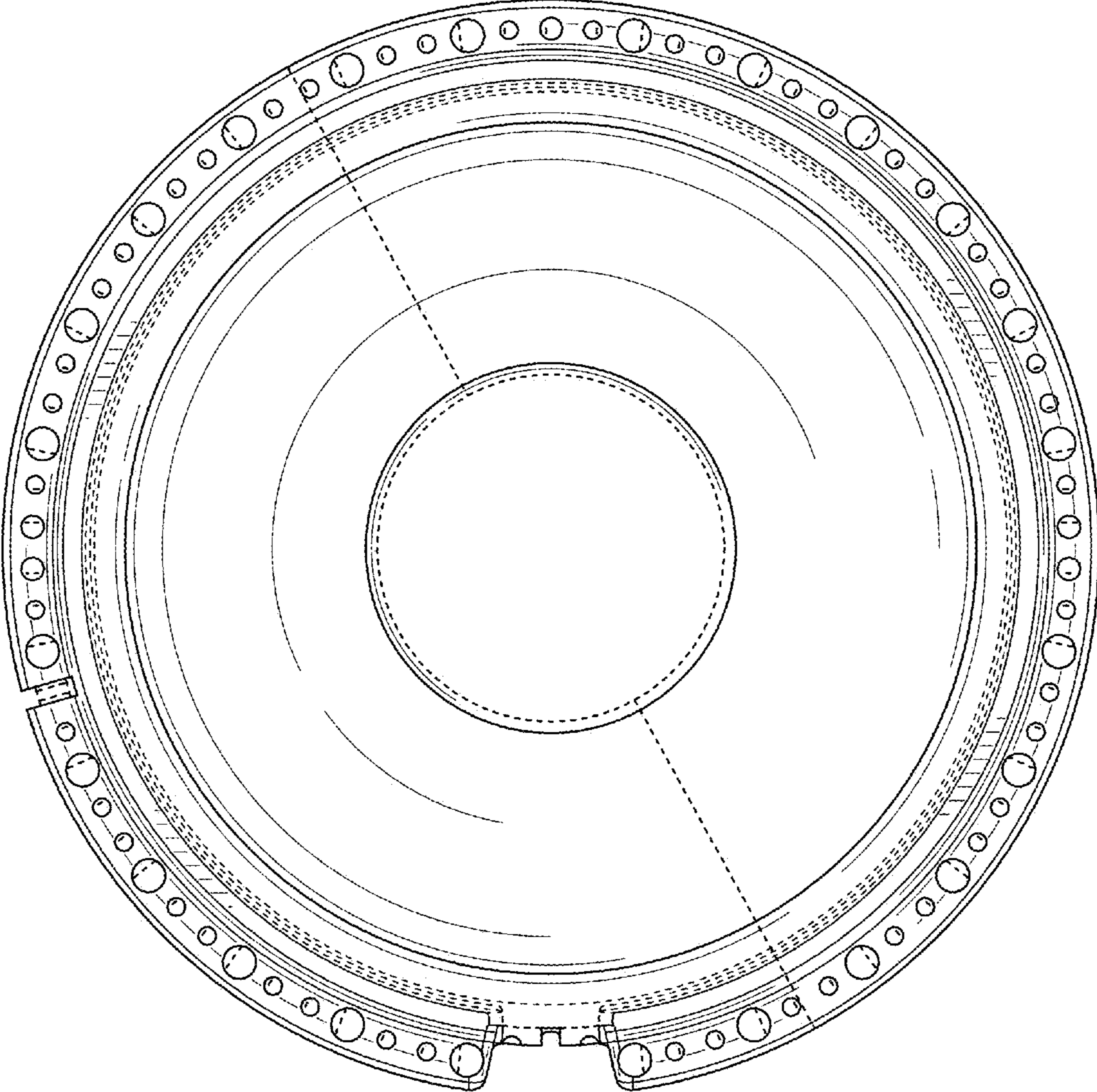


FIG. 2

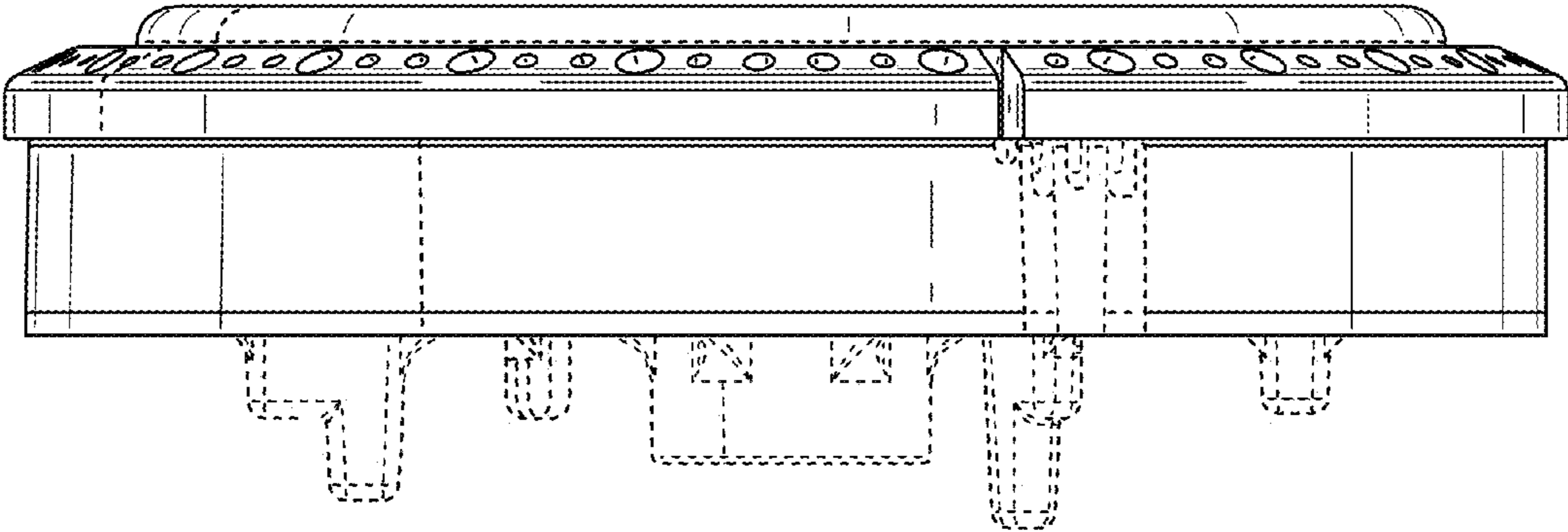


FIG. 3

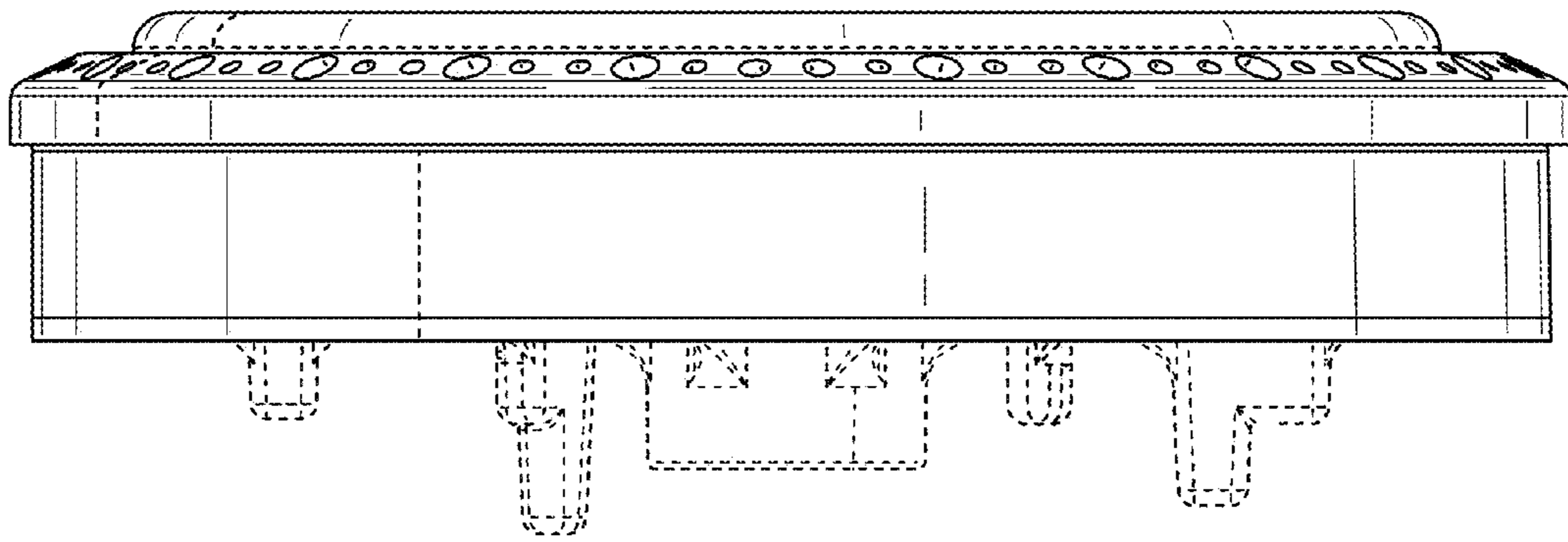


FIG. 4

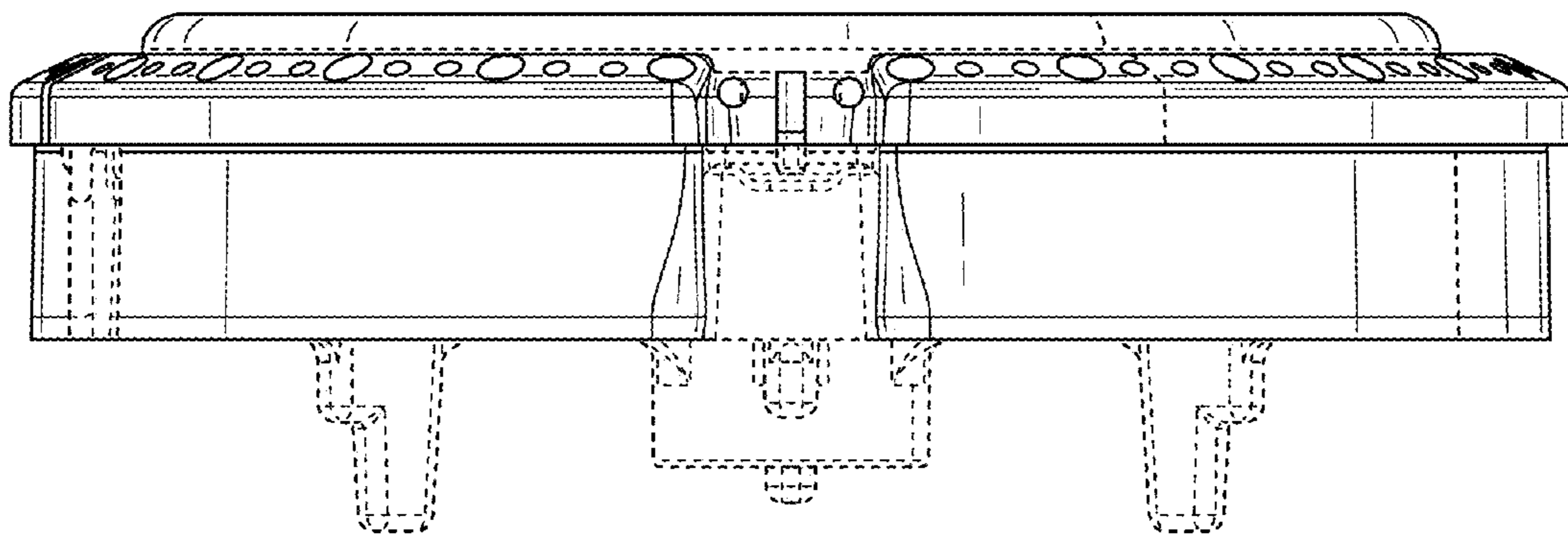


FIG. 5

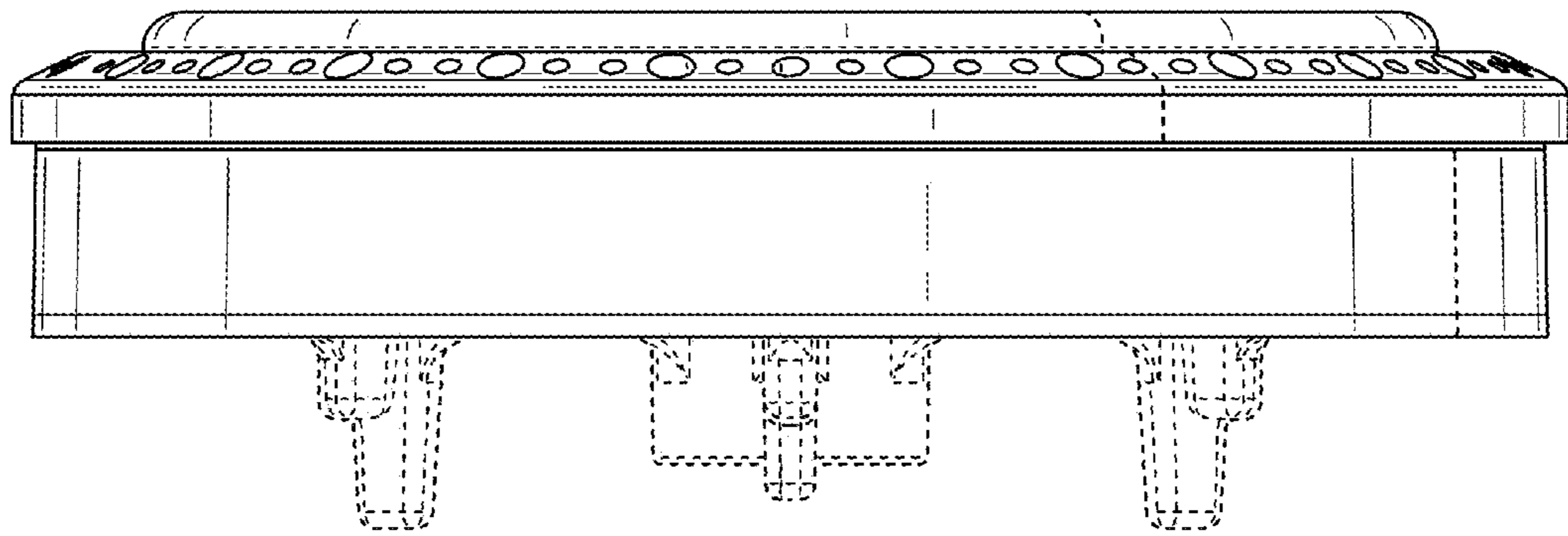


FIG. 6