



US00D743529S

(12) **United States Design Patent**
Pan

(10) **Patent No.:** **US D743,529 S**

(45) **Date of Patent:** **** Nov. 17, 2015**

- (54) **CEILING FAN BLADE**
- (71) Applicant: **YOUNGO LIMITED**, Hong Kong (HK)
- (72) Inventor: **Peter Pan**, New Taipei (TW)
- (73) Assignee: **YOUNGO LIMITED**, Central (HK)
- (**) Term: **14 Years**
- (21) Appl. No.: **29/495,842**
- (22) Filed: **Jul. 3, 2014**
- (51) **LOC (10) Cl.** **23-04**
- (52) **U.S. Cl.**
USPC **D23/413**
- (58) **Field of Classification Search**
USPC D23/377, 370–376, 378–394, 411–414, D23/499; D12/214, 215, 305, 319, 339, D12/344, 345; 416/5, 62, 170 R, 214 R, 184, 416/206, 207, 210 R, 220 R, 241 R, 244 R, 416/248, 223 R, 232, 234, 242; 417/423.1; 392/364; D26/59
CPC ... F04D 25/088; F04D 29/322; F04D 29/324; F04D 29/388; F04D 29/601; B23P 15/04
See application file for complete search history.

D565,725 S *	4/2008	Badarello	D23/413
D566,264 S *	4/2008	Badarello	D23/413
D633,194 S *	2/2011	Frampton	D23/413
D634,805 S *	3/2011	Cushing	D21/769
D671,635 S *	11/2012	Pan	D23/377
D672,448 S *	12/2012	Passauer, III	D23/377
D707,340 S *	6/2014	Pan	D23/377
2002/0094273 A1 *	7/2002	Huang	F04D 25/088 416/143
2006/0177307 A1 *	8/2006	Owens	A61L 9/048 416/5
2011/0070091 A1 *	3/2011	Ko	F04D 25/088 416/229 R
2011/0305581 A1 *	12/2011	Shih-Chung	F04D 29/388 416/232

* cited by examiner

Primary Examiner — Susan Bennett Hattan
Assistant Examiner — Marie Fast Horse
 (74) *Attorney, Agent, or Firm* — Bruce Stone LLP; Joseph A. Bruce

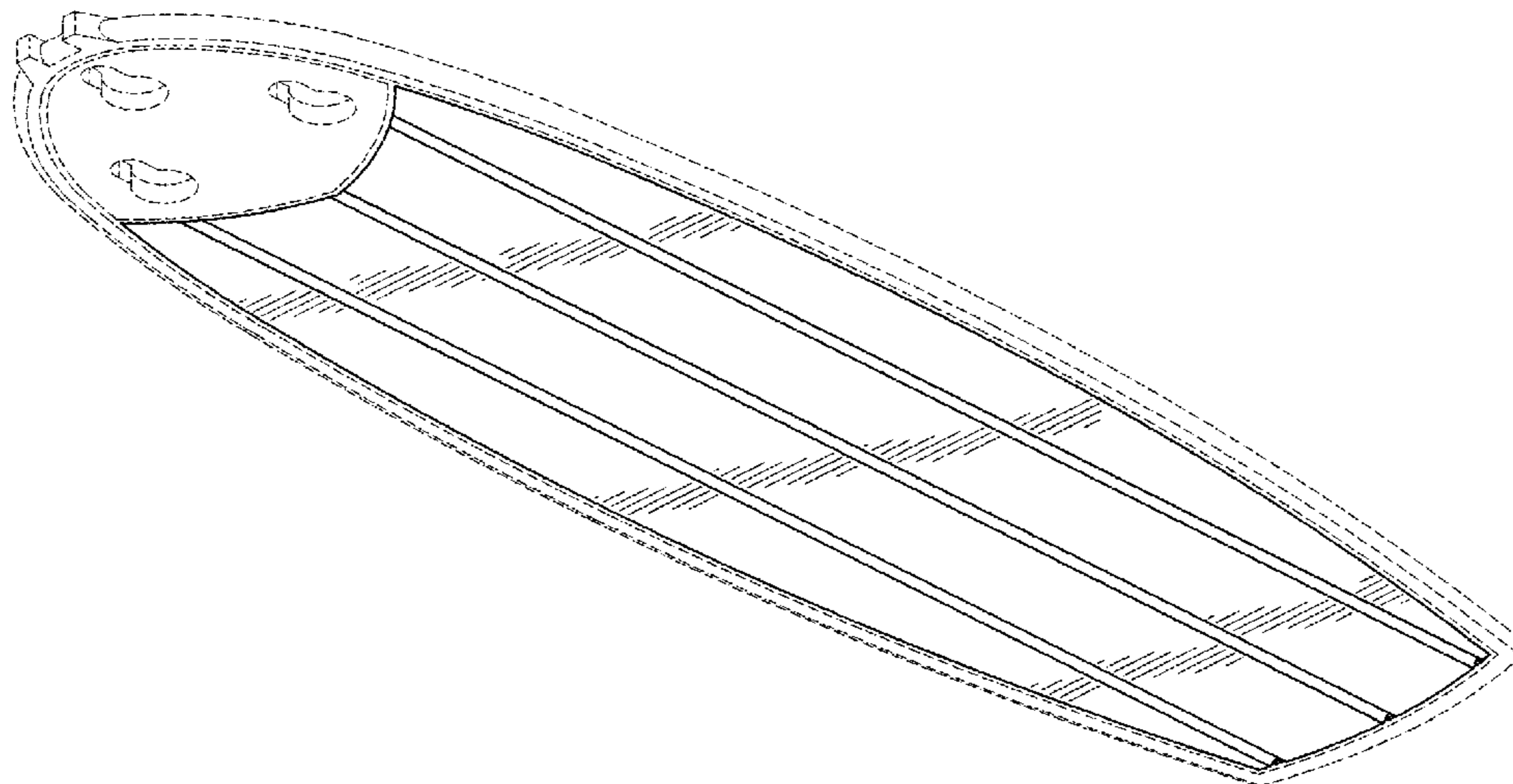
(57) **CLAIM**
 The ornamental design for a ceiling fan blade, as shown and described.

DESCRIPTION

FIG. 1 is a perspective view of the present design;
 FIG. 2 is a front view of the present design, the rear view of the present design being a mirror image thereof;
 FIG. 3 is a left side view of the present design;
 FIG. 4 is a right side view of the present design;
 FIG. 5 is a top view of the present design;
 FIG. 6 is a bottom view of the present design; and,
 FIG. 7 is another perspective view of the ceiling fan blade of the present design.
 The broken lines in the drawings depict structural features of the ceiling fan blade that form no part of the claimed design.

1 Claim, 6 Drawing Sheets

- (56) **References Cited**
 U.S. PATENT DOCUMENTS
 D388,871 S * 1/1998 Gee, II D23/411
 D434,845 S * 12/2000 Gajewski D23/413
 D461,889 S * 8/2002 Tang D23/413
 D505,198 S * 5/2005 Liu D23/413
 D514,695 S * 2/2006 Badarello D23/413
 D532,105 S * 11/2006 Badarello D23/413
 D543,618 S * 5/2007 Pickett D23/413
 D555,239 S * 11/2007 Shurtleff D23/413



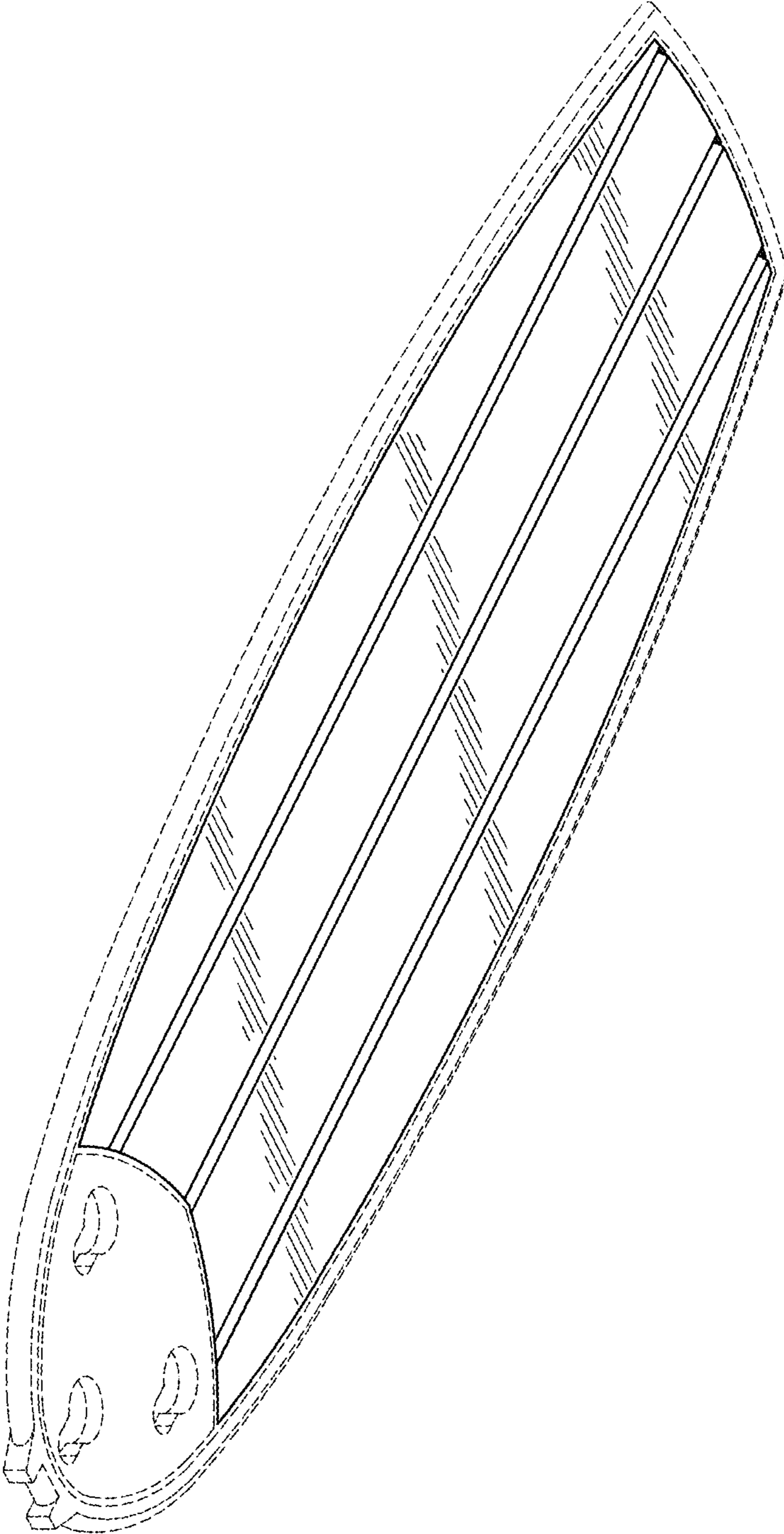


FIG. 1

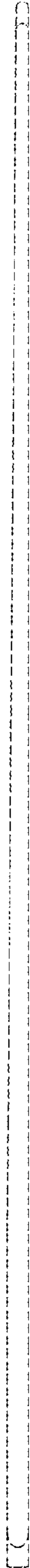


FIG. 2

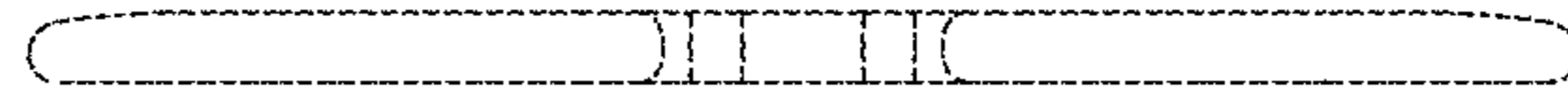


FIG. 3

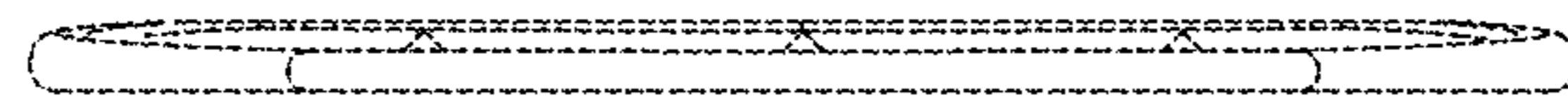


FIG. 4

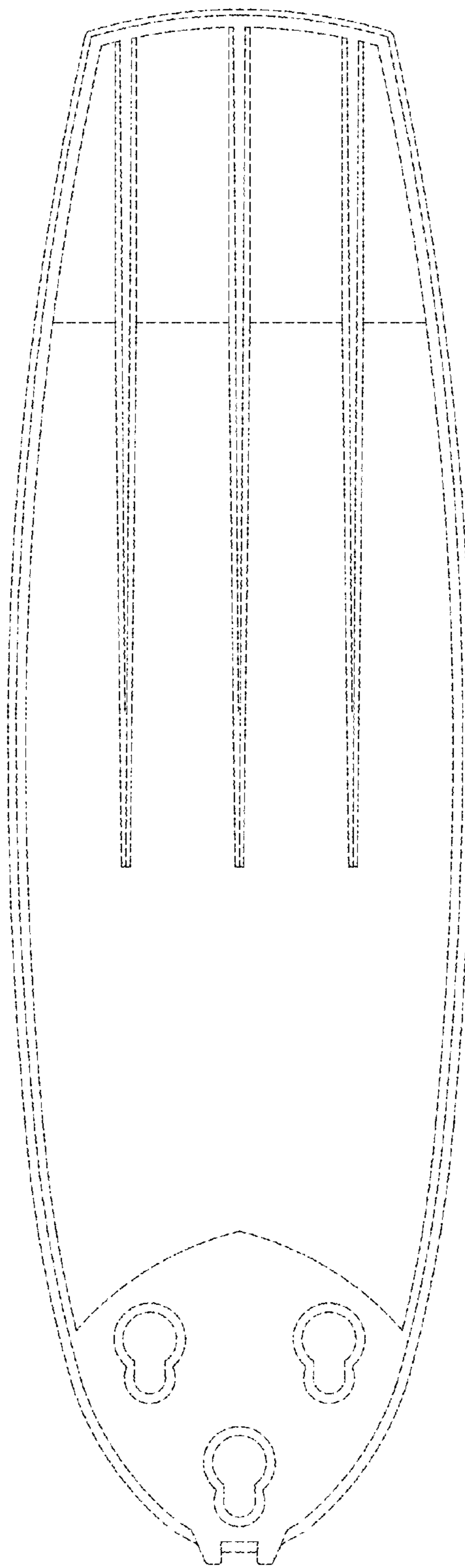


FIG. 5

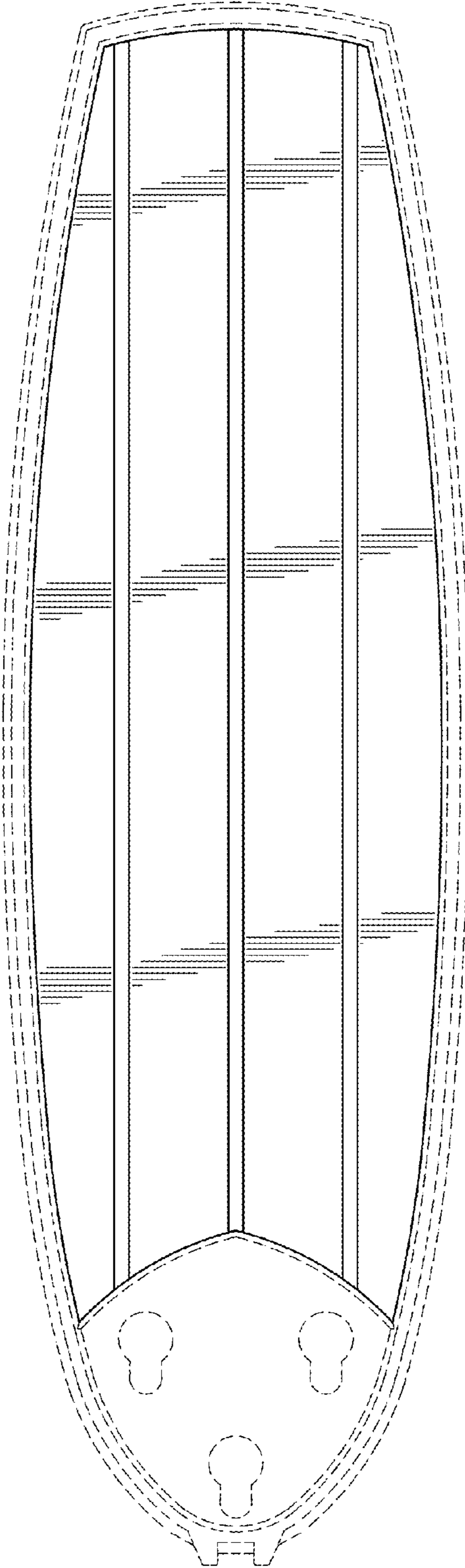


FIG. 6

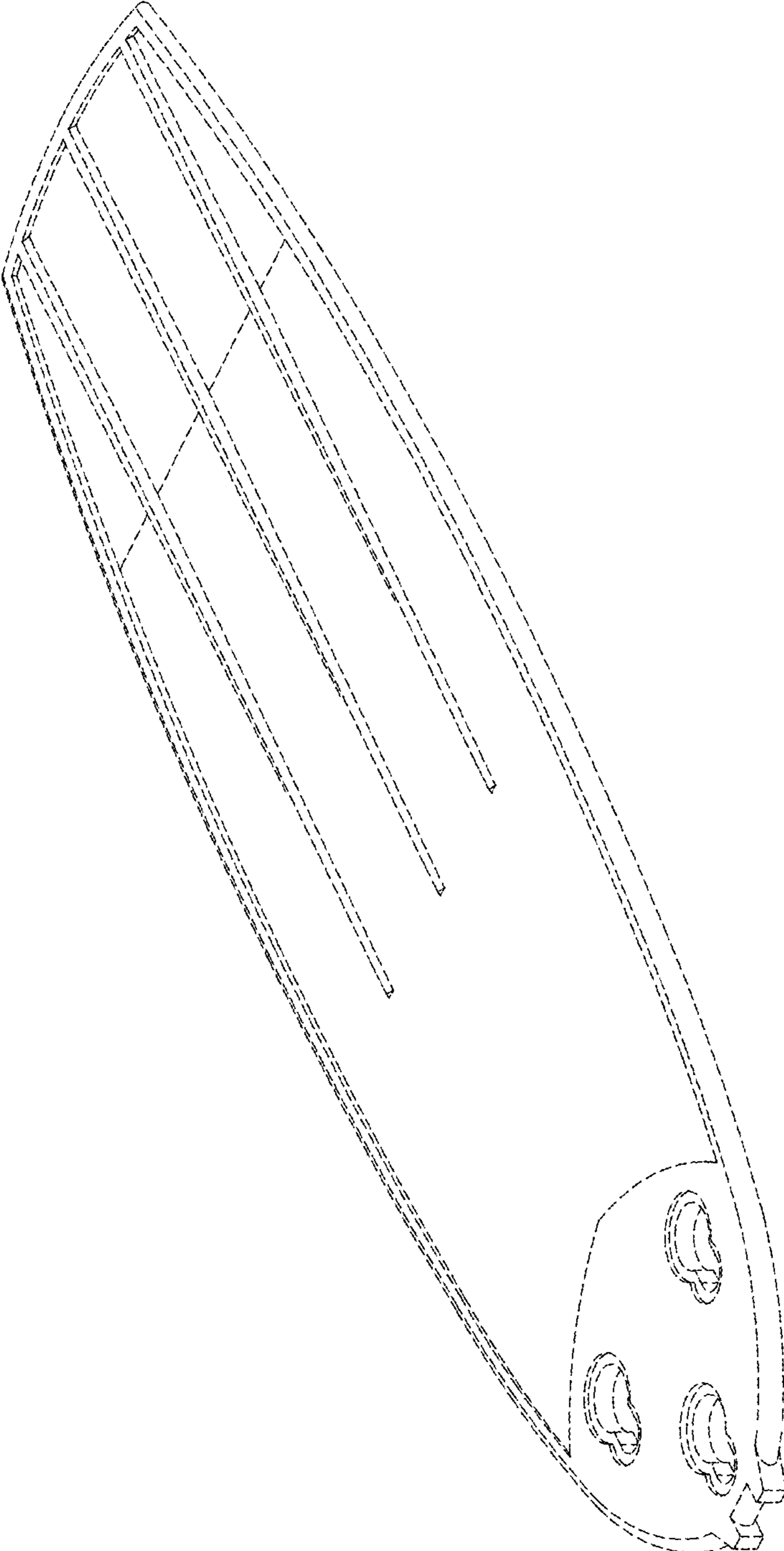


FIG. 7