



US00D743528S

(12) **United States Design Patent**  
**Wang**

(10) **Patent No.:** **US D743,528 S**  
(45) **Date of Patent:** **\*\* Nov. 17, 2015**

(54) **CEILING FAN MOTOR HOUSING WITH LIGHT BASE**

(71) Applicant: **YOUNGO LIMITED**, Hong Kong (CN)

(72) Inventor: **Cliff Wang**, Taichung (TW)

(73) Assignee: **YOUNGO LIMITED**, Hong Kong (CN)

(\*\*) Term: **14 Years**

(21) Appl. No.: **29/504,370**

(22) Filed: **Oct. 5, 2014**

(51) **LOC (10) Cl.** ..... **23-04**

(52) **U.S. Cl.**  
USPC ..... **D23/411**

(58) **Field of Classification Search**  
USPC ..... D23/370–385, 411–414, 59;  
392/360–364  
CPC ..... F04D 29/34; F04D 29/38; F04D 25/088  
See application file for complete search history.

(56) **References Cited**

**U.S. PATENT DOCUMENTS**

4,592,702	A *	6/1986	Bogage	.....	F04D 25/088
					310/89
D328,785	S *	8/1992	Markwardt	.....	D23/377
5,645,403	A *	7/1997	Bogage	.....	F04D 29/38
					416/235
D394,103	S *	5/1998	Lee	.....	D23/377
D437,043	S *	1/2001	Wettergren	.....	D23/370
6,382,917	B1 *	5/2002	Zuege	.....	F04D 29/34
					416/210 R
D476,406	S *	6/2003	Friedes	.....	D23/377
6,884,034	B1 *	4/2005	Parker	.....	F04D 25/088

					416/1
D514,216	S *	1/2006	Hidalgo	.....	D23/377
D519,625	S *	4/2006	Young	.....	D23/377
7,210,910	B1 *	5/2007	Parker	.....	F04D 25/088
					416/223 R
D607,988	S *	1/2010	Oleson	.....	D23/377
D627,869	S *	11/2010	Pan	.....	D23/377
D627,873	S *	11/2010	Pan	.....	D23/411
D627,874	S *	11/2010	Pan	.....	D23/411
D715,418	S *	10/2014	Schulzman	.....	D23/377
D715,917	S *	10/2014	Hidalgo	.....	D23/377
2009/0208333	A1 *	8/2009	Smith	.....	F04D 25/088
					416/5

\* cited by examiner

*Primary Examiner* — Sandra Snapp

(74) *Attorney, Agent, or Firm* — Pai Patent & Trademark Law Firm; Chao-Chang David Pai

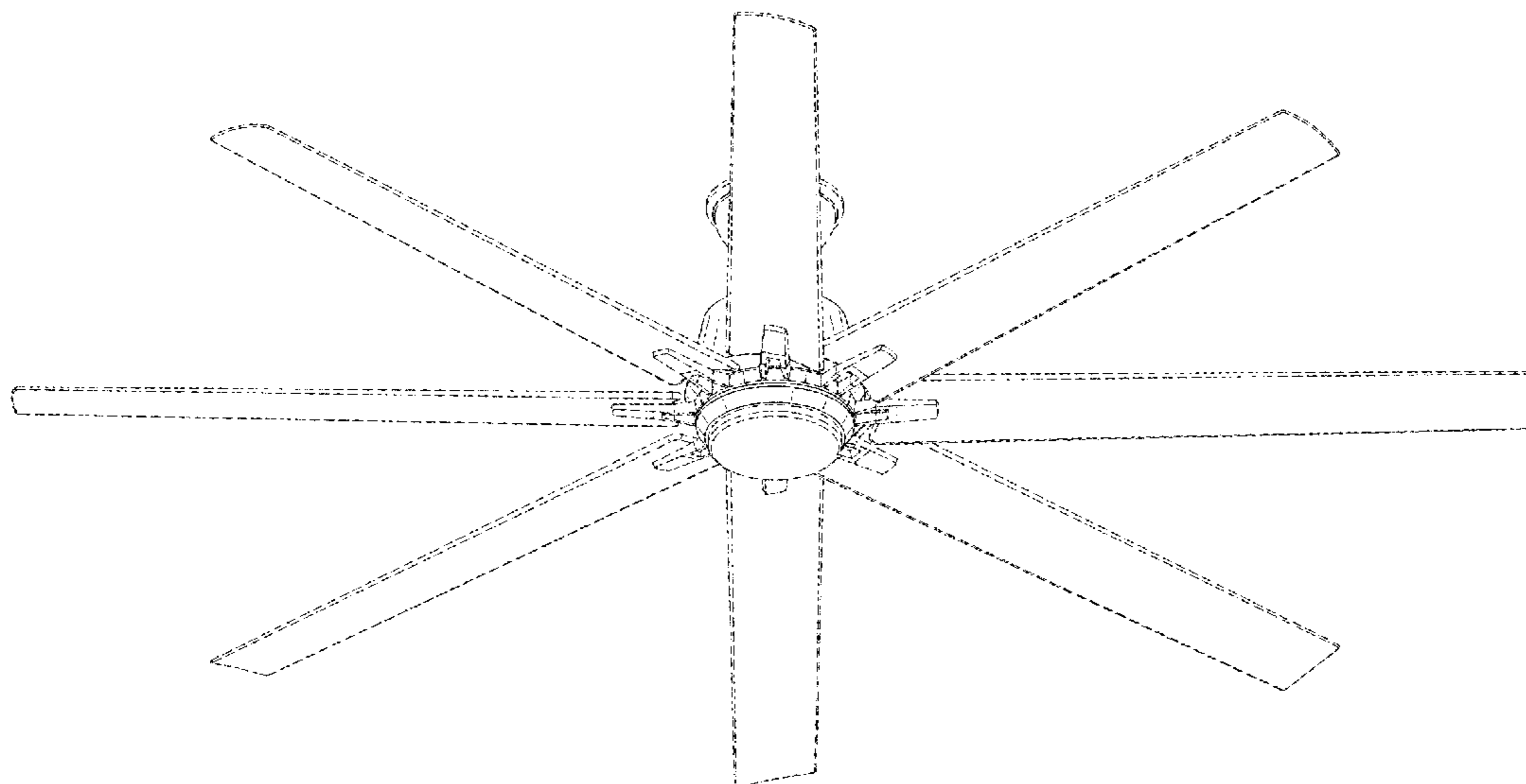
(57) **CLAIM**

The ornamental design for a ceiling fan motor housing with light base, as shown and described.

**DESCRIPTION**

FIG. 1 is a front perspective view of a ceiling fan motor housing with light base showing my new design; FIG. 2 is a front elevational view thereof; FIG. 3 is a rear elevational view thereof; FIG. 4 is a left side elevational view thereof; FIG. 5 is a right side elevational view thereof; FIG. 6 is a top plan view thereof; FIG. 7 is a bottom plan view thereof; and, FIG. 8 is another front perspective view thereof. The broken lines are for the purpose of illustrating environmental structure and form no part of the claimed design.

**1 Claim, 6 Drawing Sheets**



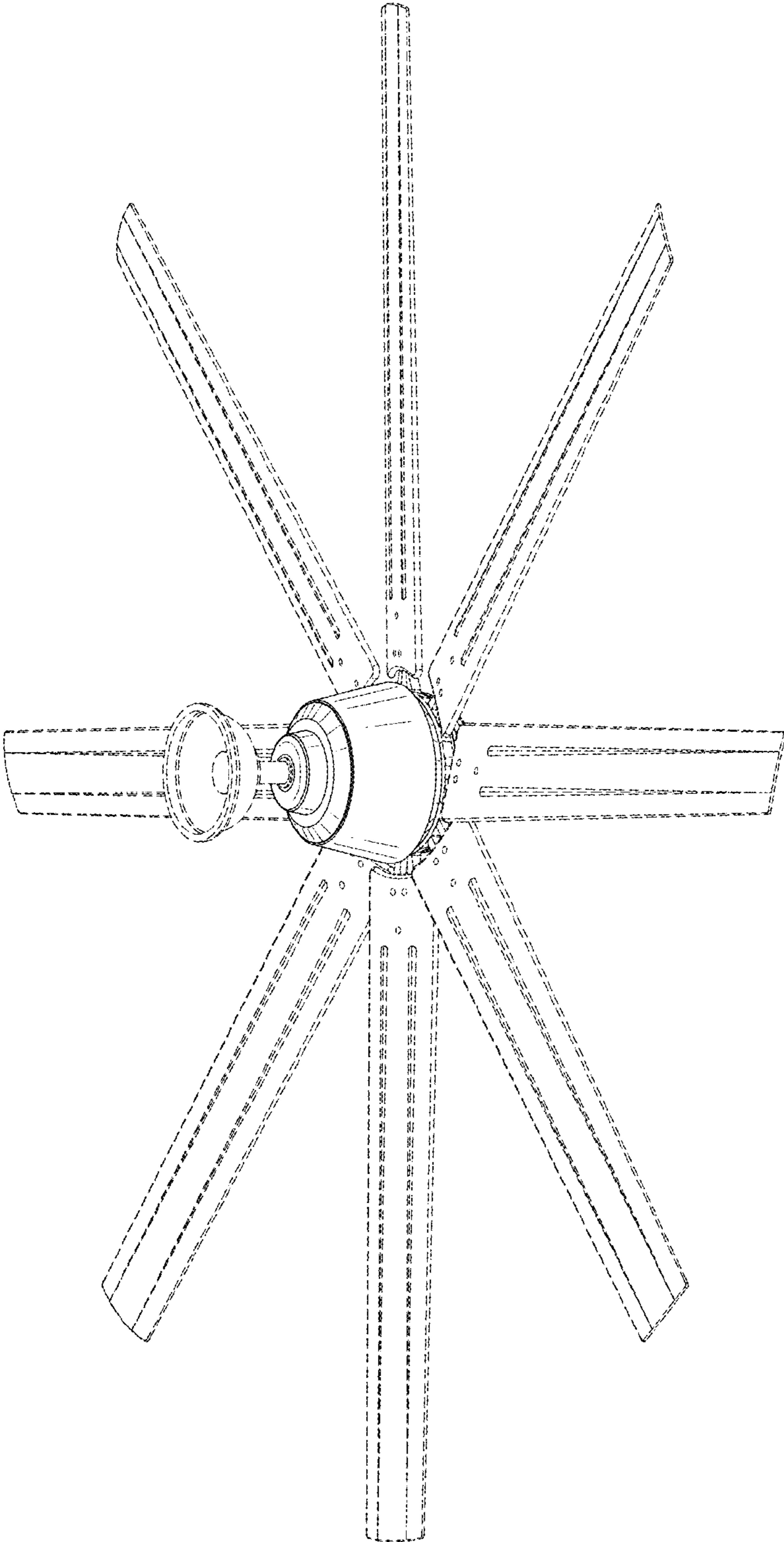


FIG. 1

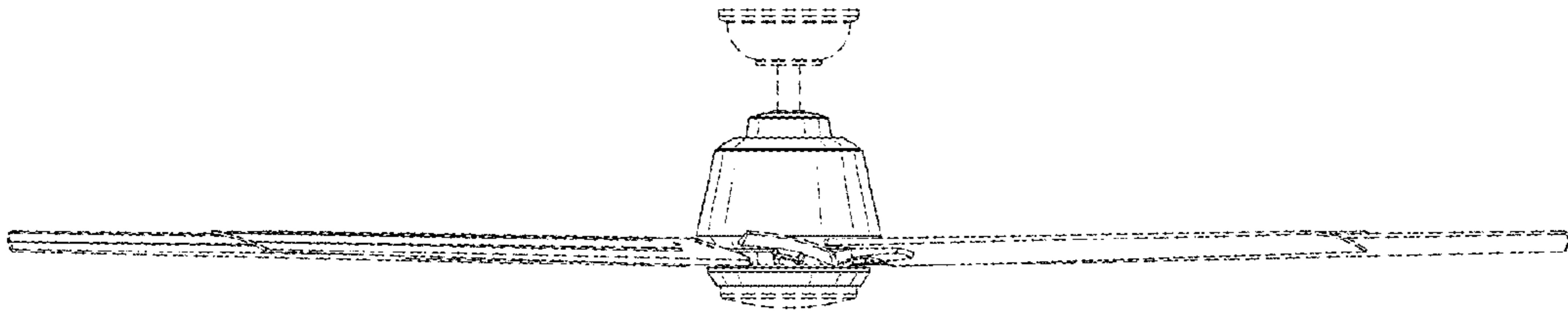


FIG. 2

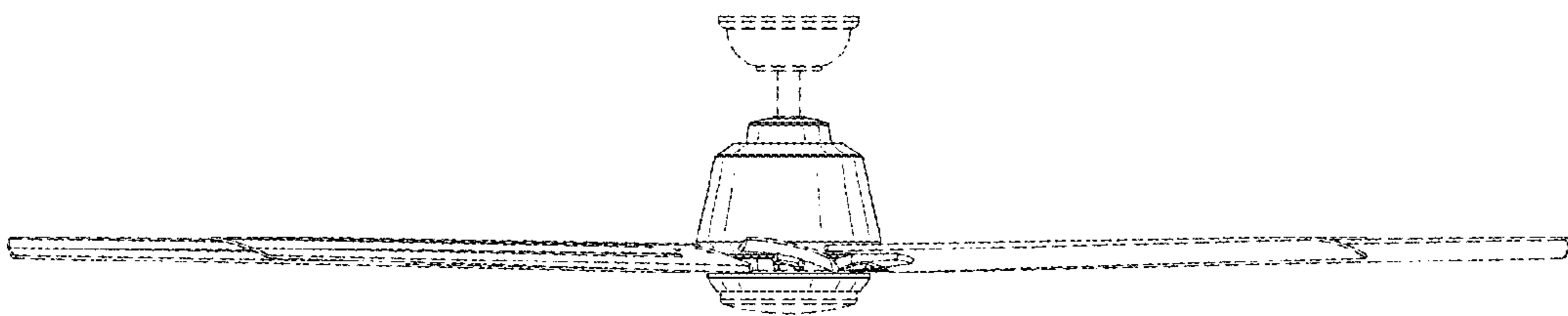


FIG. 3

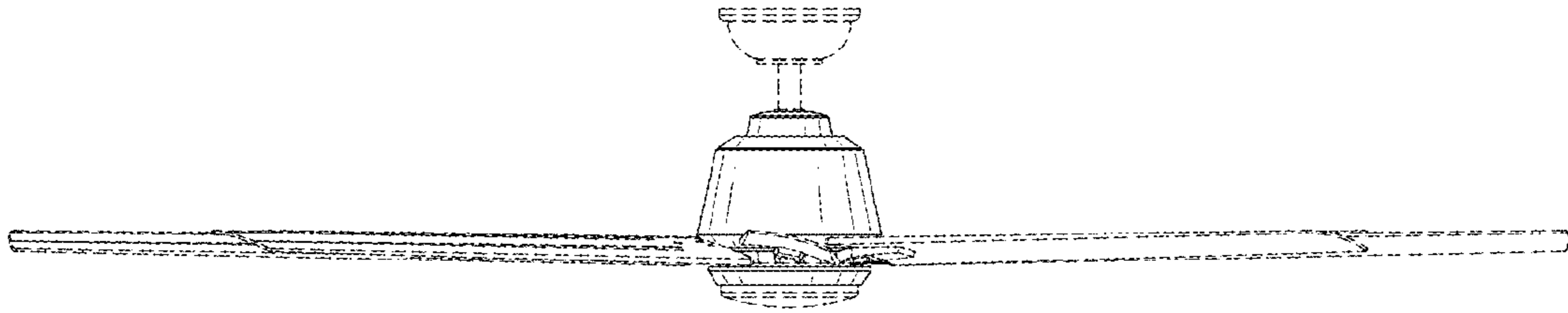


FIG. 4

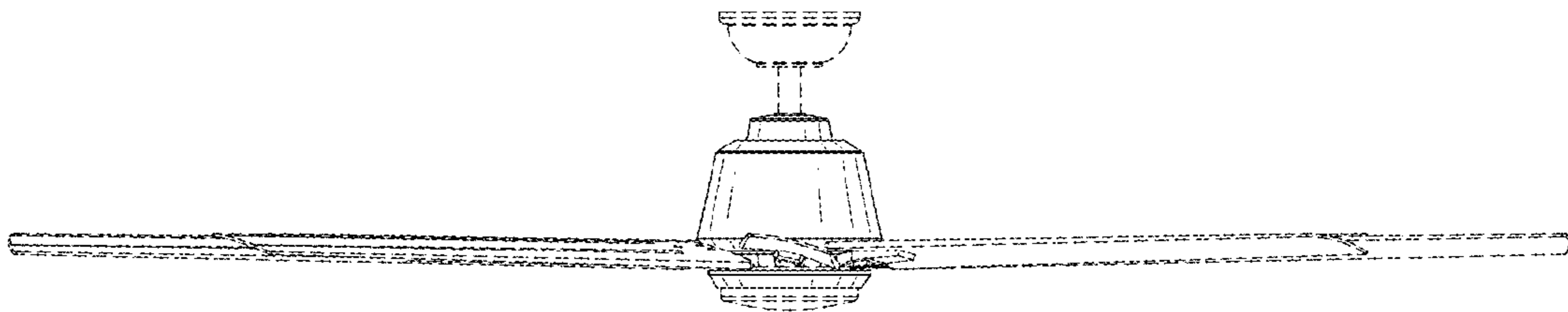


FIG. 5

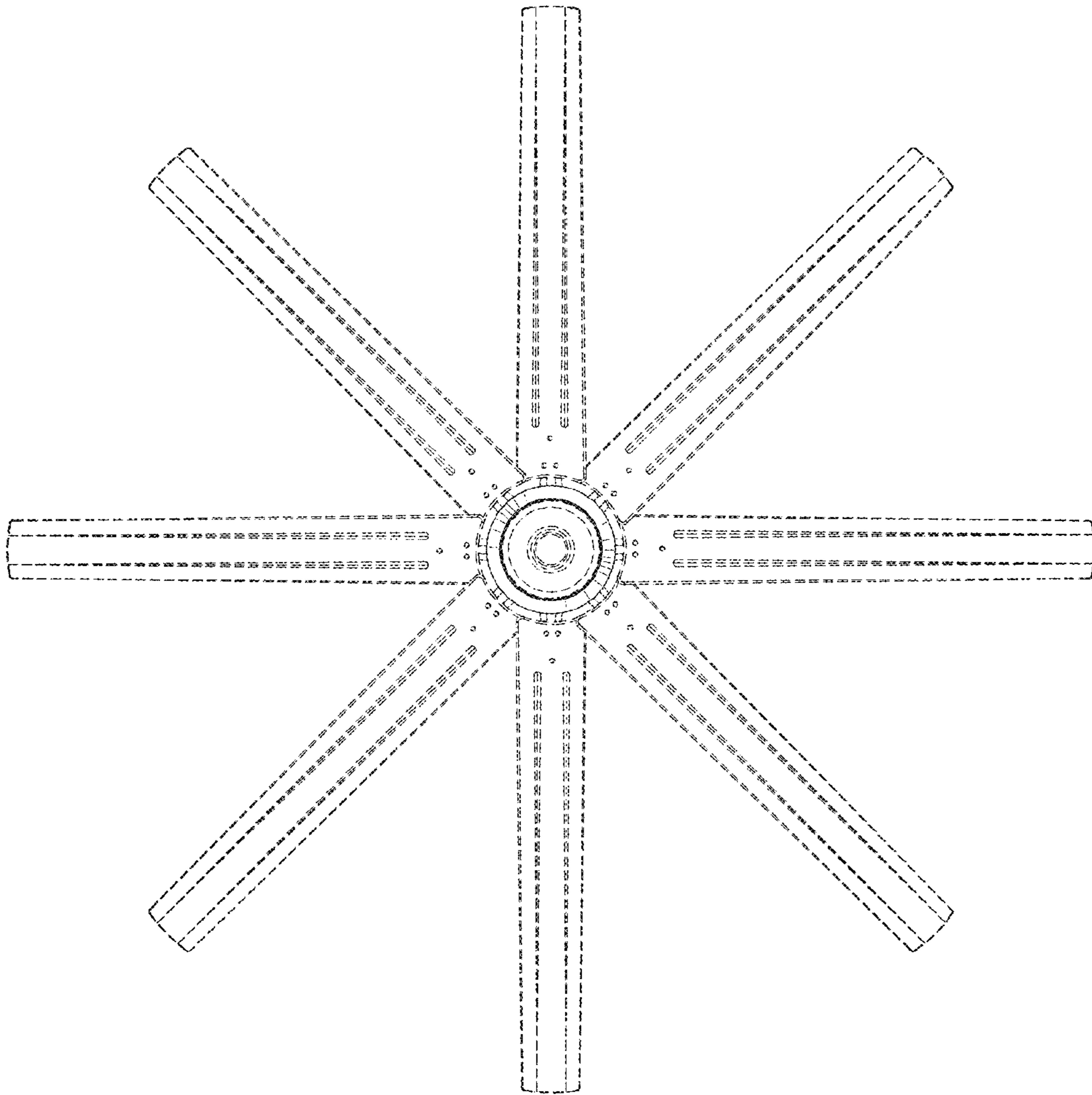


FIG. 6

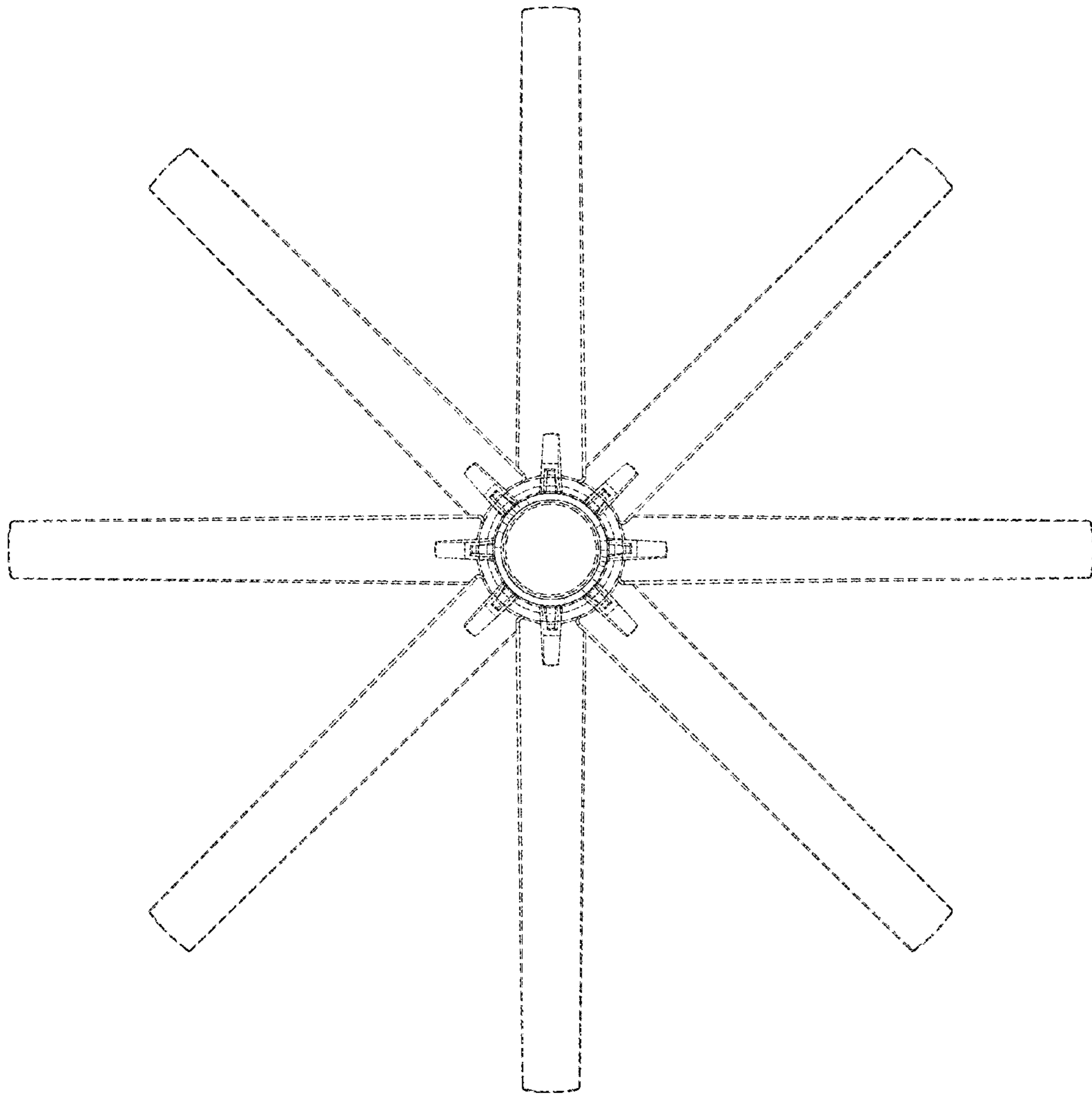


FIG. 7

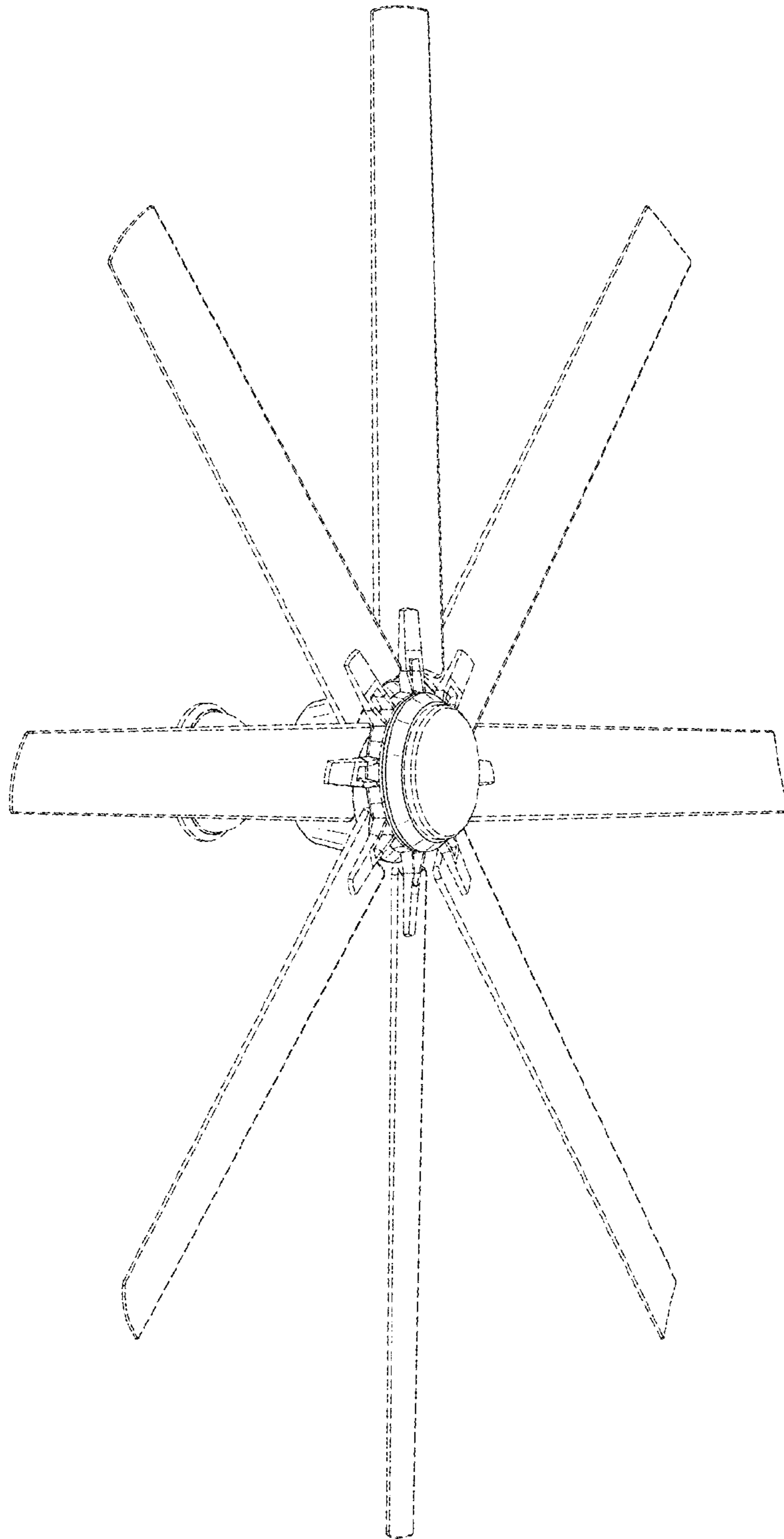


FIG. 8