



US00D743527S

(12) **United States Design Patent**  
**Wang**

(10) **Patent No.:** **US D743,527 S**

(45) **Date of Patent:** **\*\* Nov. 17, 2015**

- (54) **CEILING FAN MOTOR HOUSING**
- (71) Applicant: **YOUNGO LIMITED**, Hong Kong (CN)
- (72) Inventor: **Cliff Wang**, Taichung (TW)
- (73) Assignee: **YOUNGO LIMITED**, Hong Kong (CN)
- (\*\*) Term: **14 Years**
- (21) Appl. No.: **29/504,368**
- (22) Filed: **Oct. 5, 2014**
- (51) **LOC (10) Cl.** ..... **23-04**
- (52) **U.S. Cl.**  
USPC ..... **D23/411**
- (58) **Field of Classification Search**  
USPC ..... D23/370–385, 411–414, 59;  
392/360–364  
CPC ..... F04D 29/34; F04D 29/38; F04D 25/088  
See application file for complete search history.

D518,164 S *	3/2006	Hidalgo	.....	D23/411
D520,131 S *	5/2006	Hidalgo	.....	D23/377
D521,623 S *	5/2006	Hidalgo	.....	D23/377
D525,697 S *	7/2006	Ertze	.....	D23/377
D527,451 S *	8/2006	Glasbrenner	.....	D23/377
D706,410 S *	6/2014	Pan	.....	D23/411
D716,438 S *	10/2014	Liu	.....	D23/377
2010/0098545 A1 *	4/2010	Liu	.....	F03D 3/062 416/204 R

\* cited by examiner

*Primary Examiner* — Sandra Snapp  
(74) *Attorney, Agent, or Firm* — Pai Patent & Trademark Law Firm; Chao-Chang David Pai

(57) **CLAIM**

The ornamental design for a ceiling fan motor housing, as shown and described.

**DESCRIPTION**

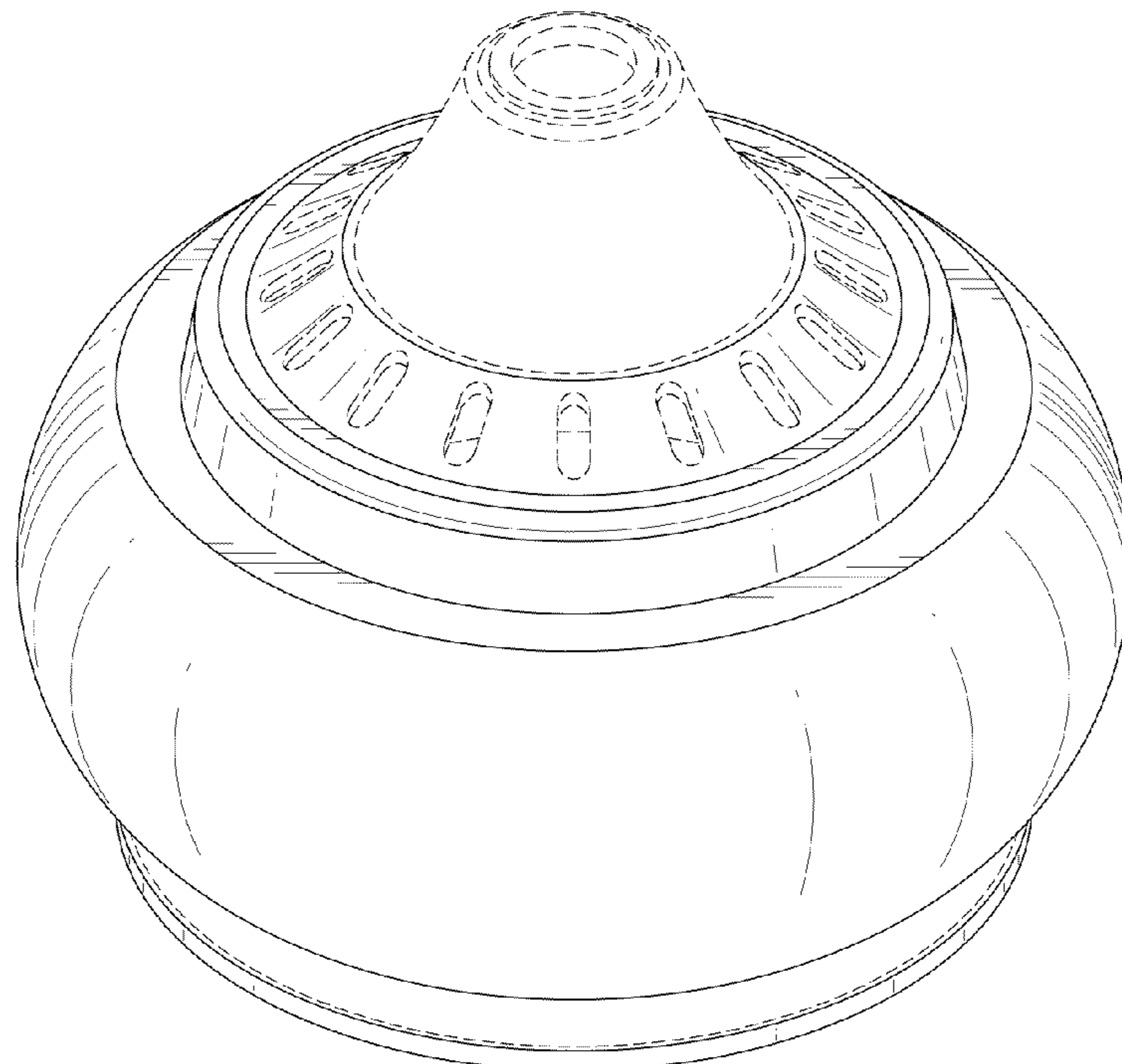
FIG. 1 is a front perspective view of a ceiling fan motor housing showing my new design;  
FIG. 2 is a front elevational view thereof;  
FIG. 3 is a rear elevational view thereof;  
FIG. 4 is a left side elevational view thereof;  
FIG. 5 is a right side elevational view thereof;  
FIG. 6 is a top plan view thereof;  
FIG. 7 is a bottom plan view thereof; and,  
FIG. 8 is another front perspective view thereof.  
The broken lines are for the purpose of illustrating environmental structure and form no part of the claimed design.

**1 Claim, 8 Drawing Sheets**

(56) **References Cited**

**U.S. PATENT DOCUMENTS**

5,330,323 A *	7/1994	Swanson	.....	F04D 29/34 416/204 R
D483,105 S *	12/2003	Hsieh	.....	D23/377
D512,498 S *	12/2005	Hidalgo	.....	D23/377
D516,195 S *	2/2006	Hidalgo	.....	D23/377
D516,202 S *	2/2006	Hidalgo	.....	D23/411



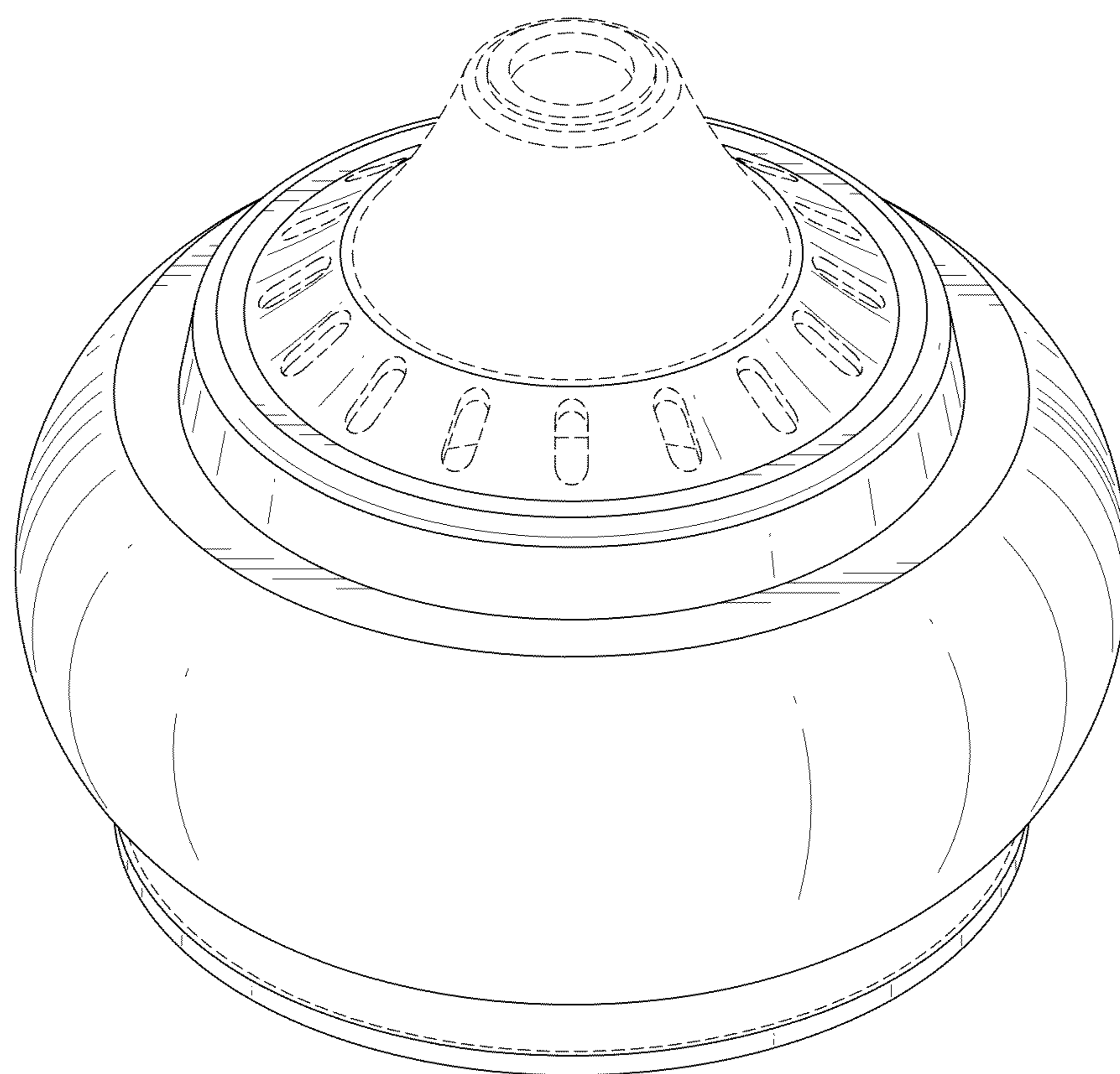


FIG. 1

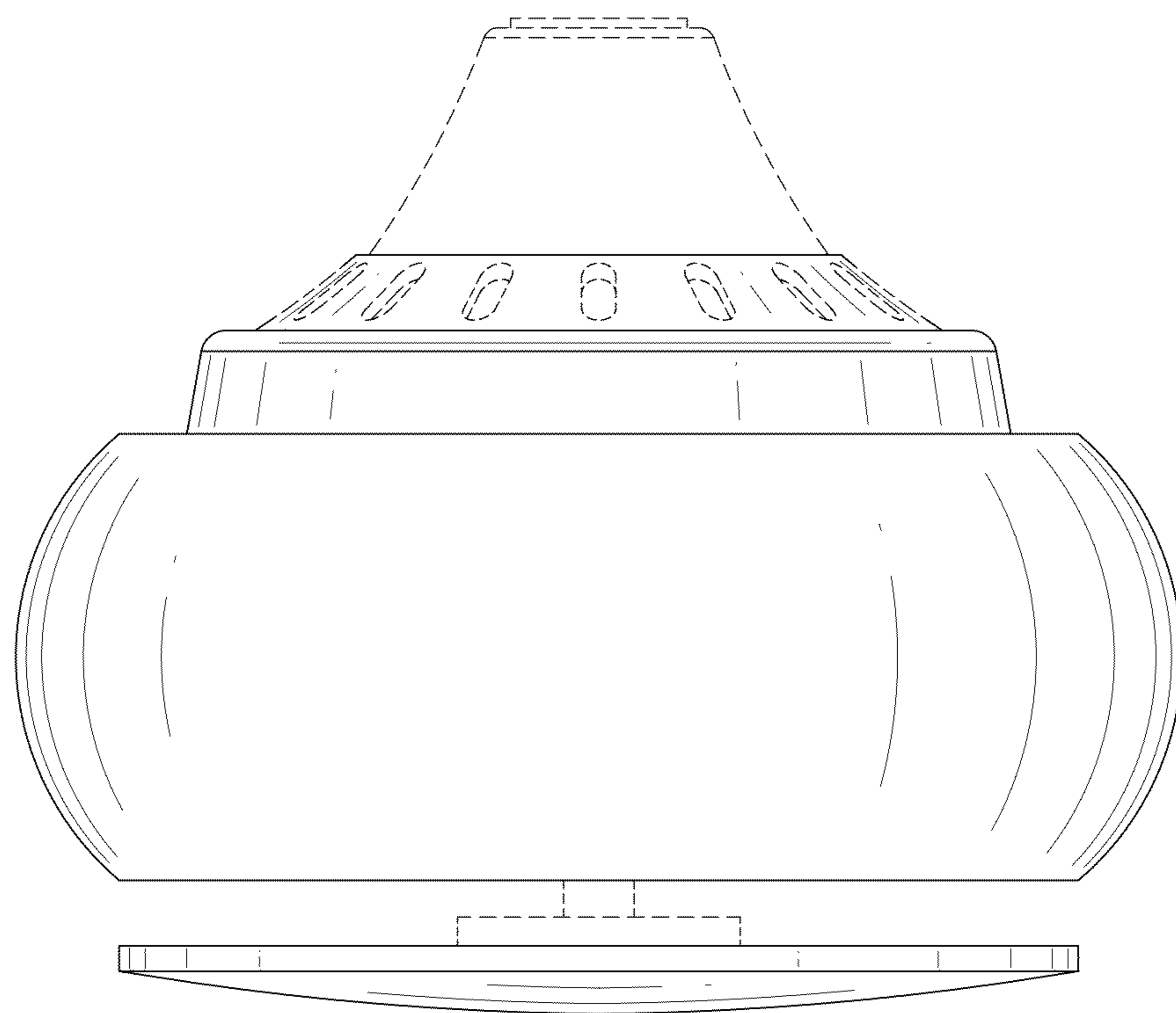


FIG. 2

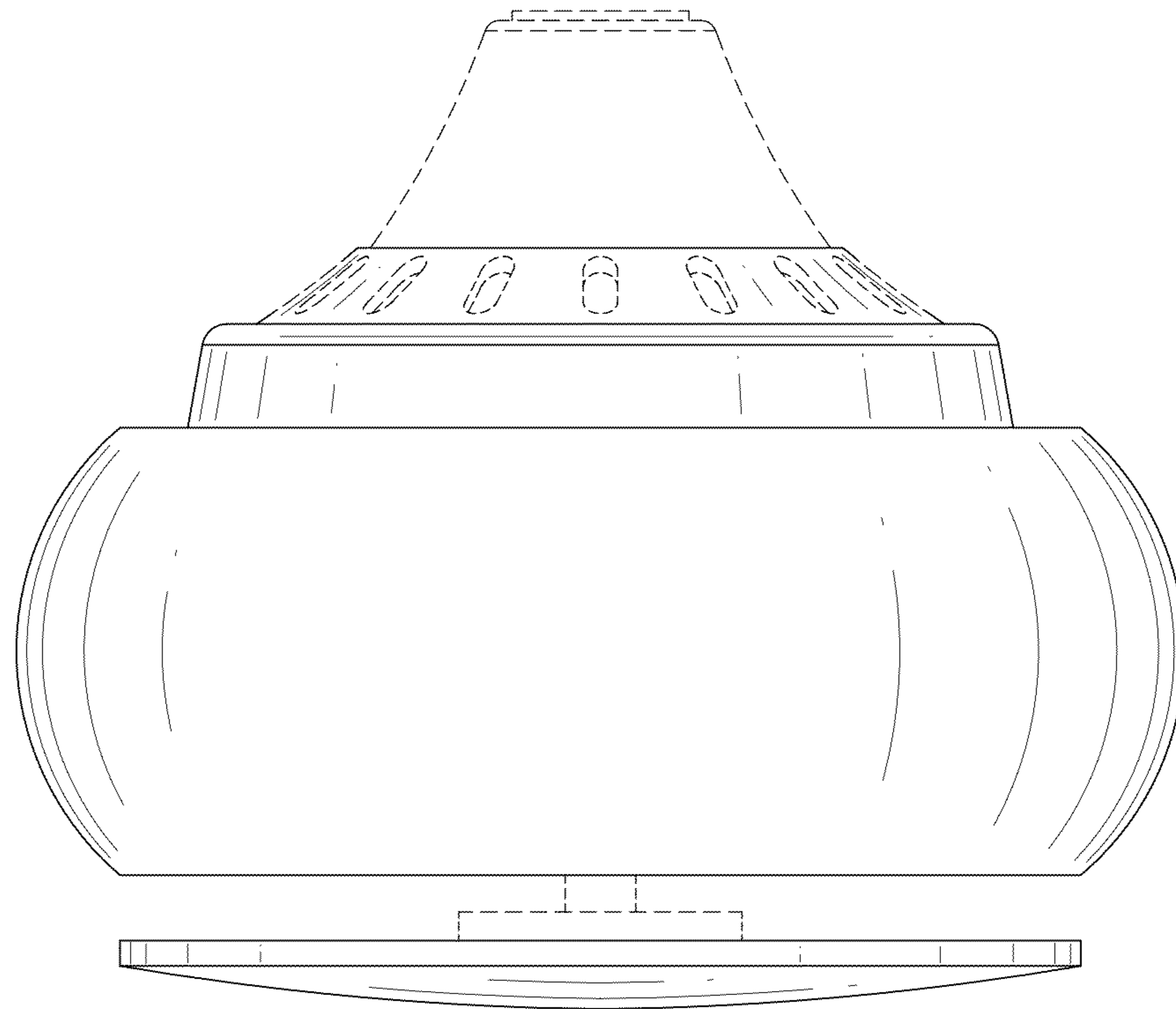


FIG. 3

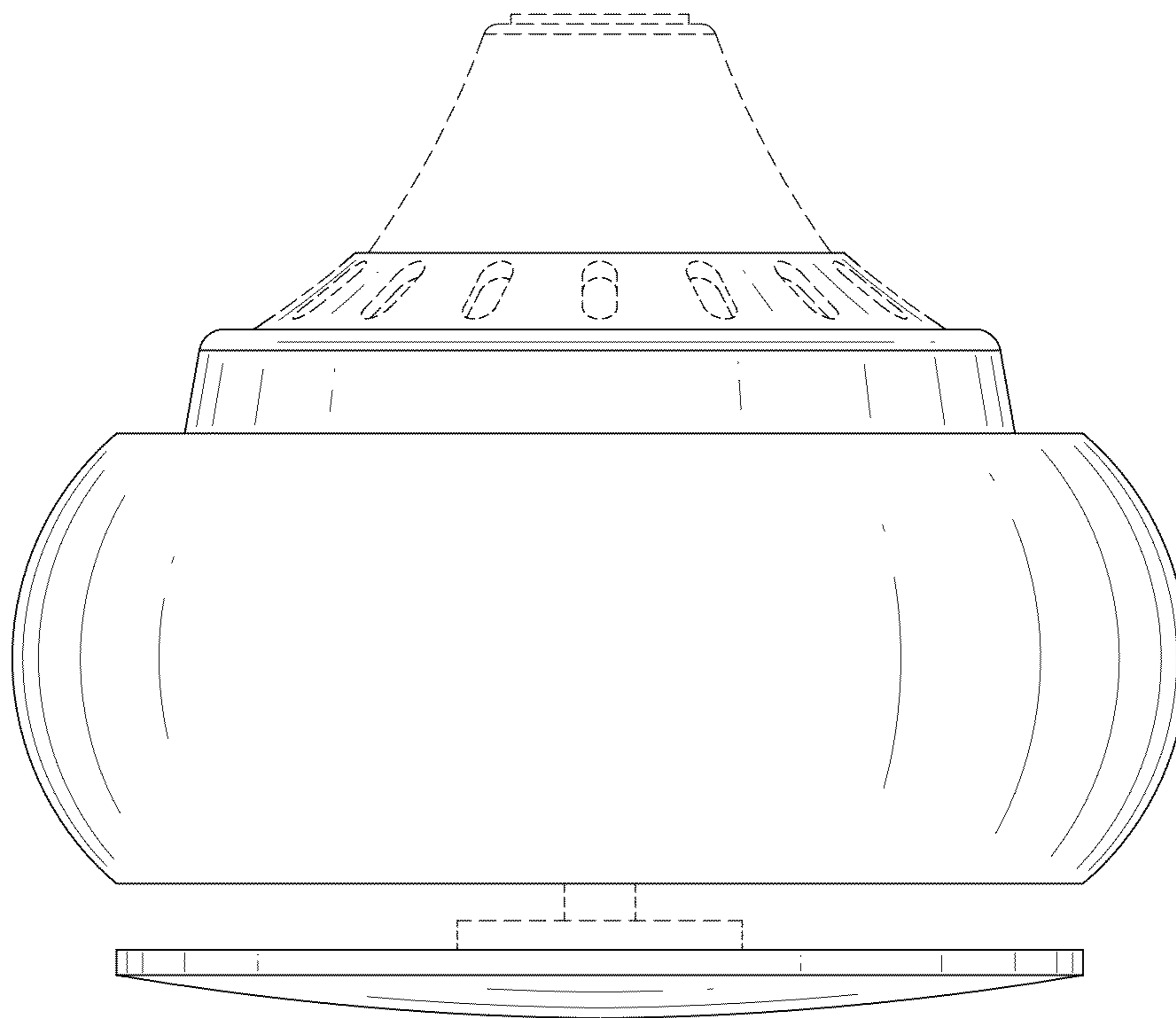


FIG. 4

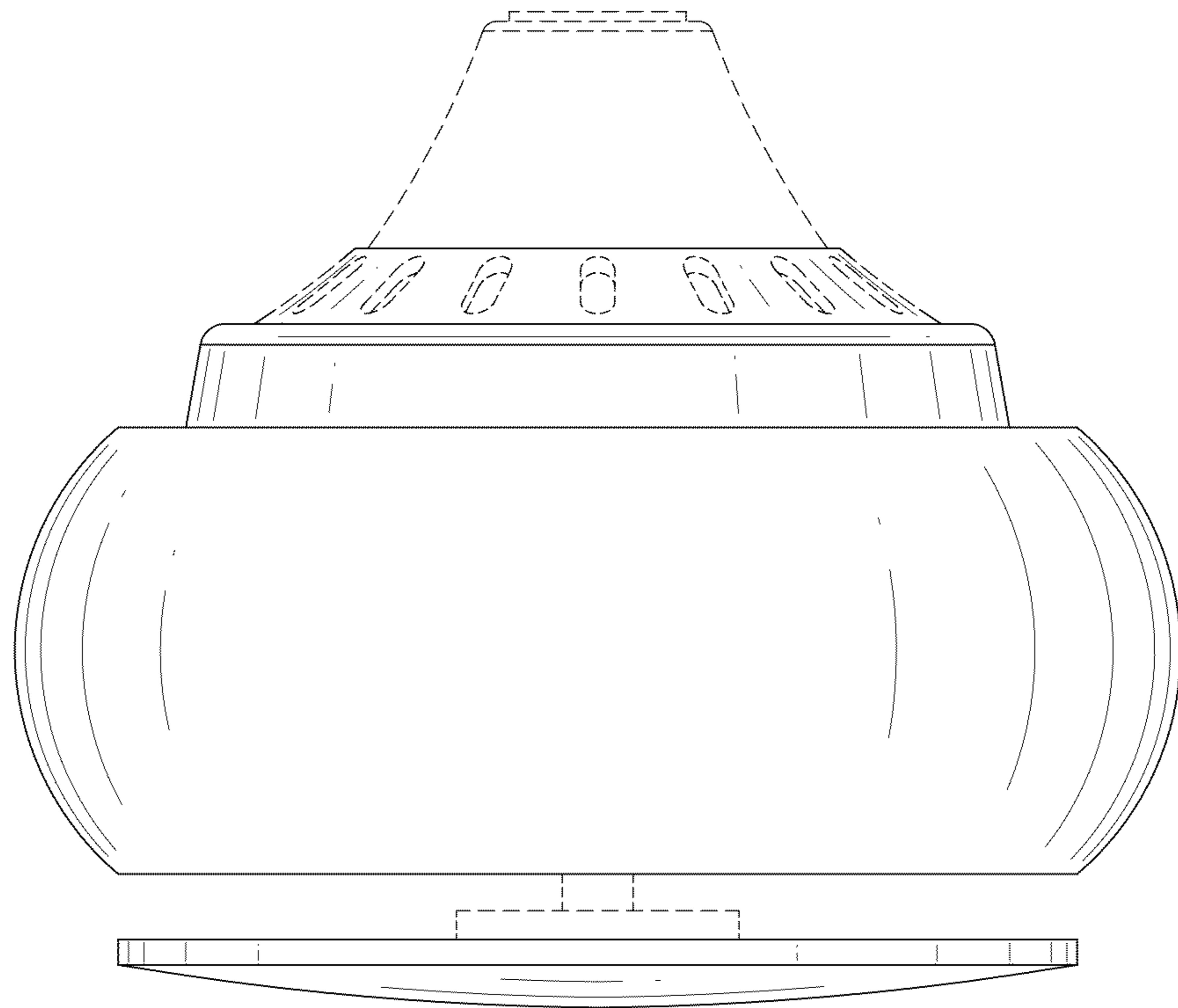


FIG. 5



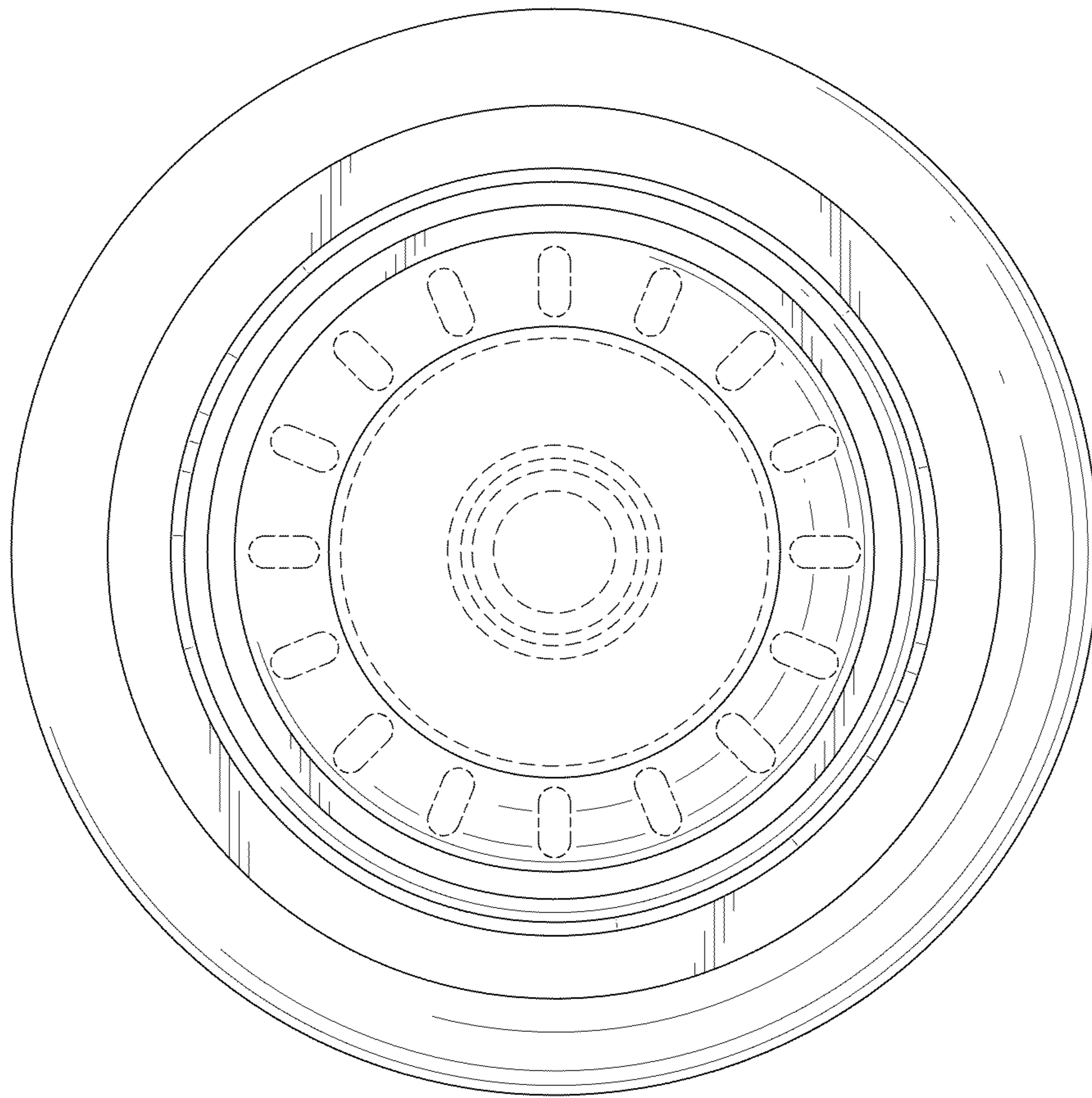


FIG. 6

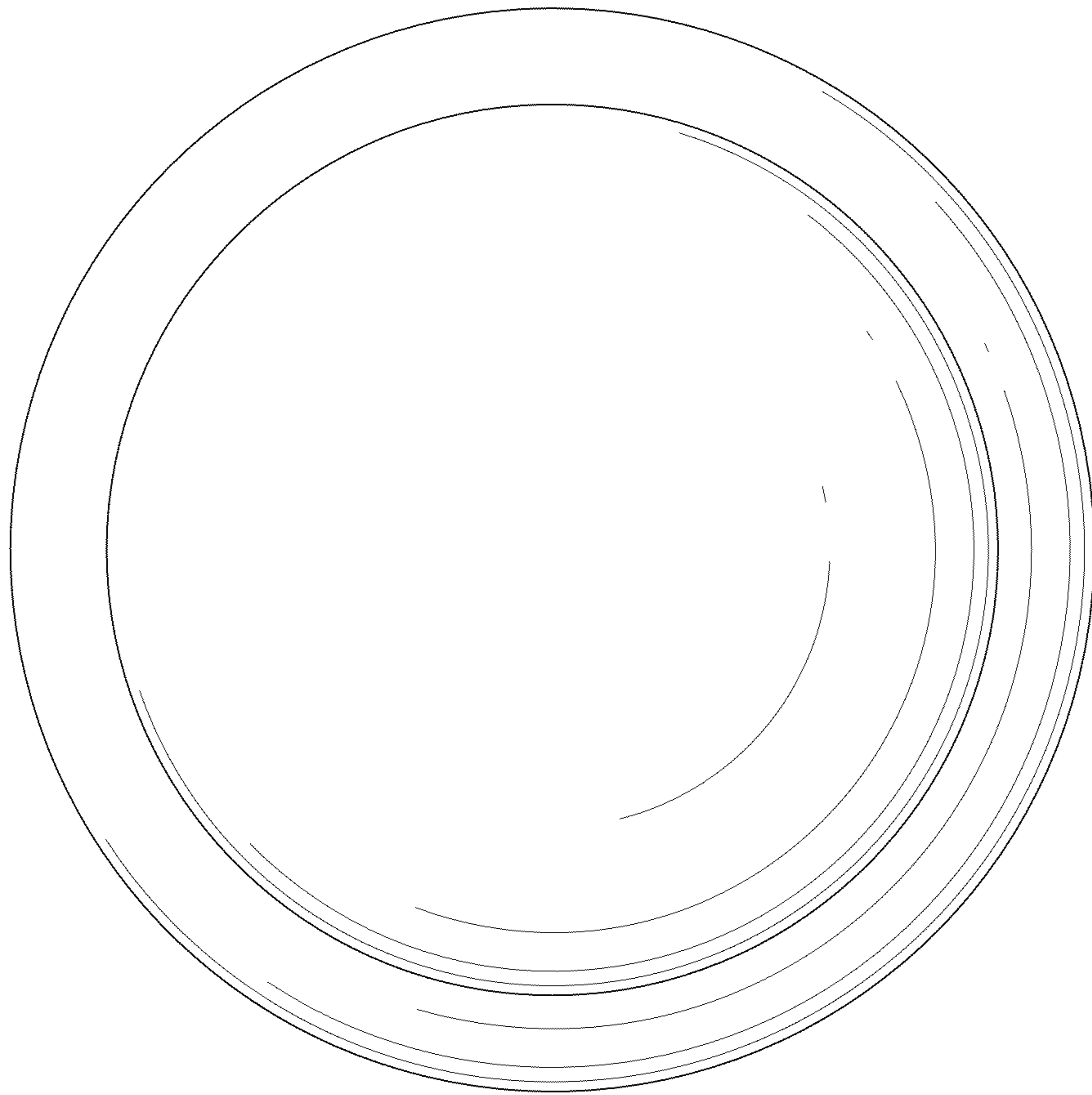


FIG. 7



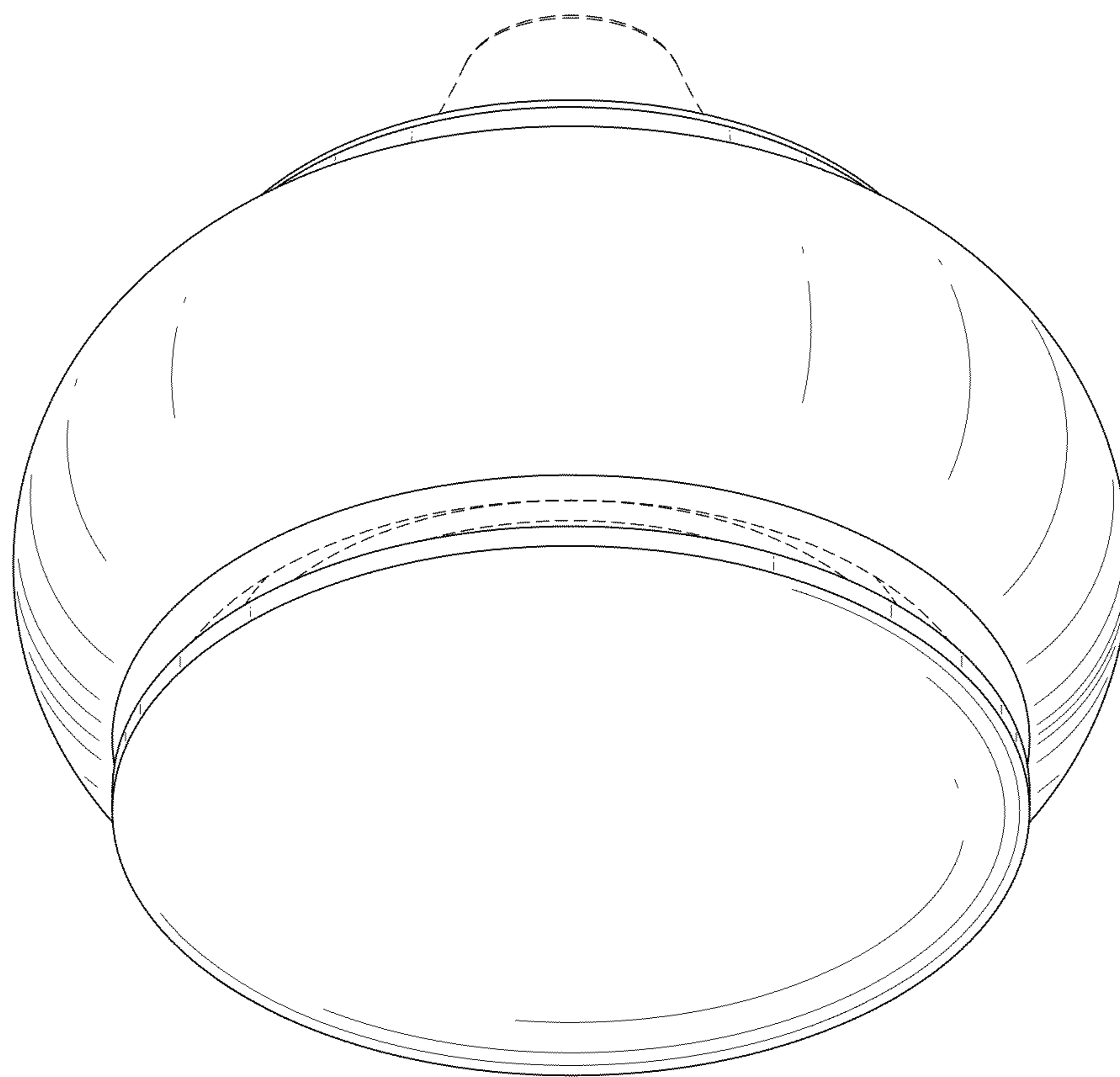


FIG. 8