

US00D743526S

(12) **United States Design Patent**
Shurtleff

(10) **Patent No.:** **US D743,526 S**

(45) **Date of Patent:** **** Nov. 17, 2015**

(54) **CEILING FAN MOTOR HOUSING WITH LIGHT KIT**

(71) Applicant: **AIR COOL INDUSTRIAL CO., LTD.**,
Taichung (TW)

(72) Inventor: **Mark L. Shurtleff**, Huntington Beach,
CA (US)

(73) Assignee: **AIR COOL INDUSTRIAL CO., LTD.**,
Taichung (TW)

(**) Term: **14 Years**

(21) Appl. No.: **29/500,795**

(22) Filed: **Aug. 28, 2014**

(51) **LOC (10) Cl.** **23-04**

(52) **U.S. Cl.**
USPC **D23/411**

(58) **Field of Classification Search**
USPC D23/370–385, 411–414, 59;
392/360–364
CPC F04D 29/34; F04D 29/38; F04D 25/088
See application file for complete search history.

(56) **References Cited**

U.S. PATENT DOCUMENTS

| | | | | | |
|------------|---|---------|------------|-------|---------|
| D352,997 S | * | 11/1994 | DiPasquale | | D23/377 |
| D512,498 S | * | 12/2005 | Hidalgo | | D23/377 |
| D516,195 S | * | 2/2006 | Hidalgo | | D23/377 |
| D518,164 S | * | 3/2006 | Hidalgo | | D23/411 |
| D520,131 S | * | 5/2006 | Hidalgo | | D23/377 |

| | | | | | |
|------------|---|---------|-----------|-------|---------|
| D525,698 S | * | 7/2006 | Wang | | D23/377 |
| D527,090 S | * | 8/2006 | Pan | | D23/377 |
| D547,433 S | * | 7/2007 | Wang | | D23/411 |
| D626,207 S | * | 10/2010 | Searle | | D23/377 |
| D627,047 S | * | 11/2010 | Shurtleff | | D23/377 |
| D627,870 S | * | 11/2010 | Wang | | D23/411 |
| D628,286 S | * | 11/2010 | Yang | | D23/411 |
| D671,202 S | * | 11/2012 | Searle | | D23/377 |
| D707,807 S | * | 6/2014 | Pan | | D23/377 |
| D715,919 S | * | 10/2014 | Pan | | D23/411 |

* cited by examiner

Primary Examiner — Sandra Snapp

(74) *Attorney, Agent, or Firm* — Ming Chow; Sinorica, LLC

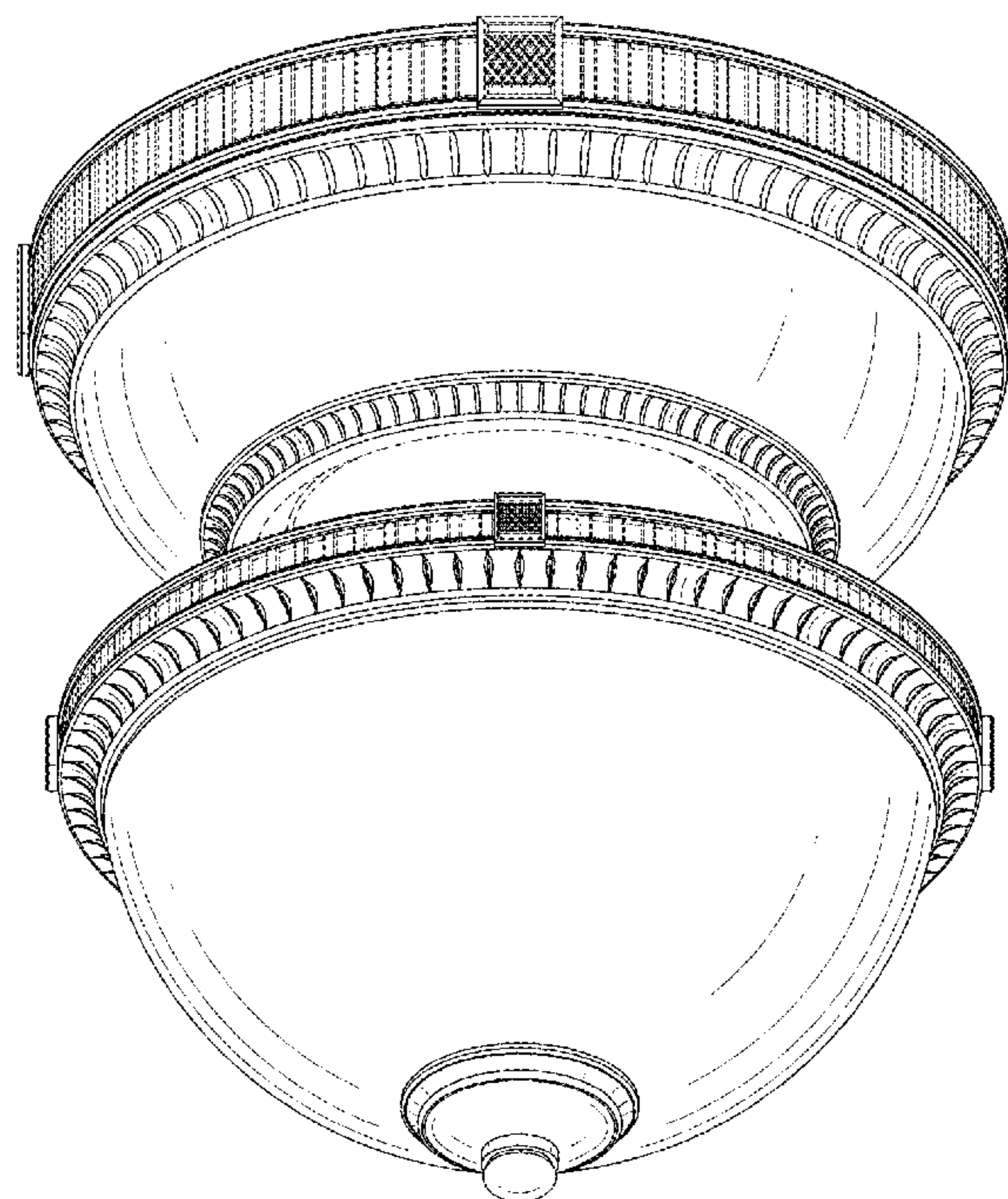
(57) **CLAIM**

I claim the ornamental design for a ceiling fan motor housing with light kit, as shown and described.

DESCRIPTION

FIG. 1 is a front perspective view of a ceiling fan motor housing with light kit showing my new design; FIG. 2 is a front elevational view thereof; FIG. 3 is a rear elevational view thereof; FIG. 4 is a left side elevational view thereof; FIG. 5 is a right side elevational view thereof; FIG. 6 is a top plan view thereof; FIG. 7 is a bottom plan view thereof; and, FIG. 8 is another front perspective view. The broken lines are for the purpose of illustrating environmental structure and form no part of the claimed design.

1 Claim, 8 Drawing Sheets



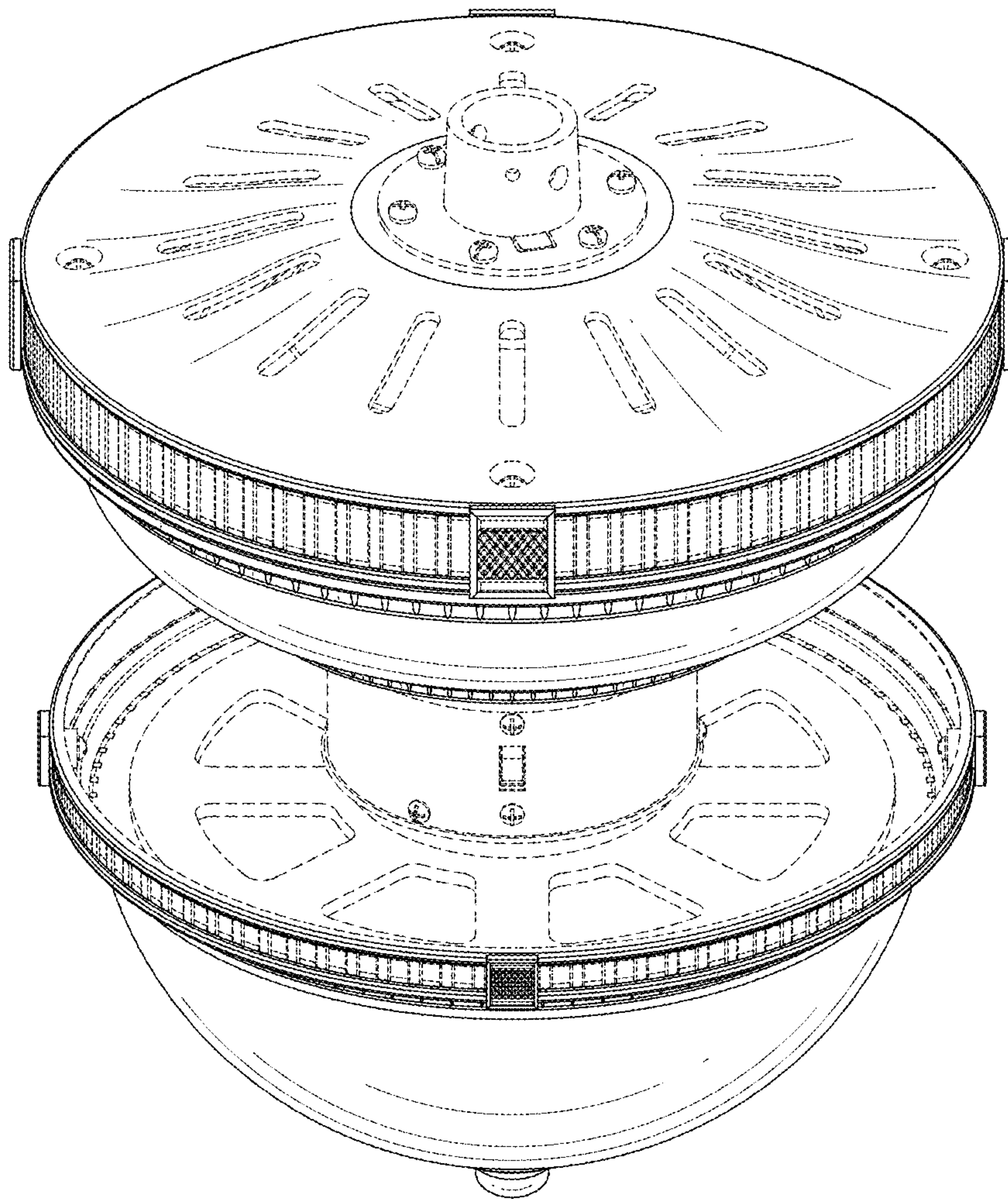


FIG. 1

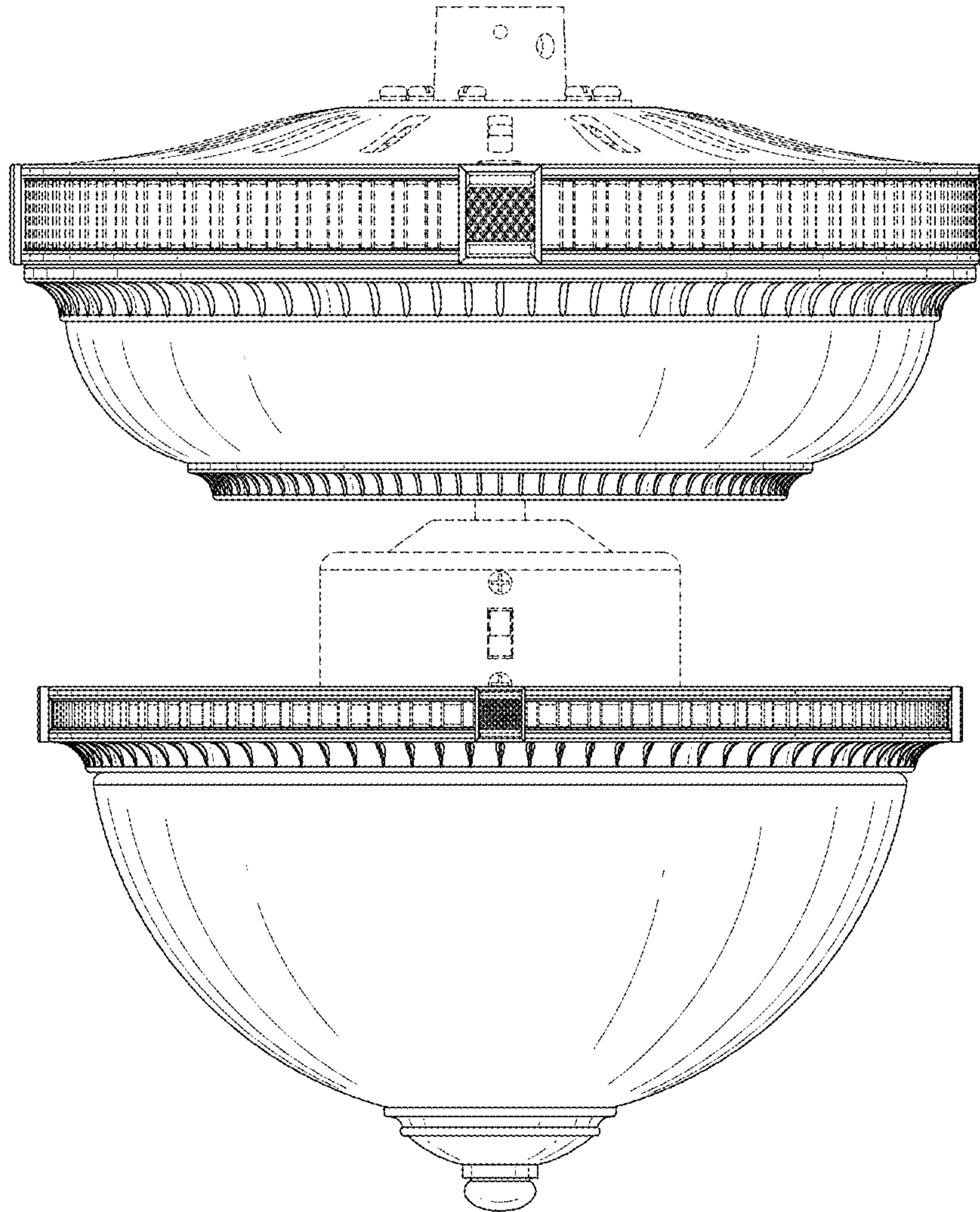


FIG. 2

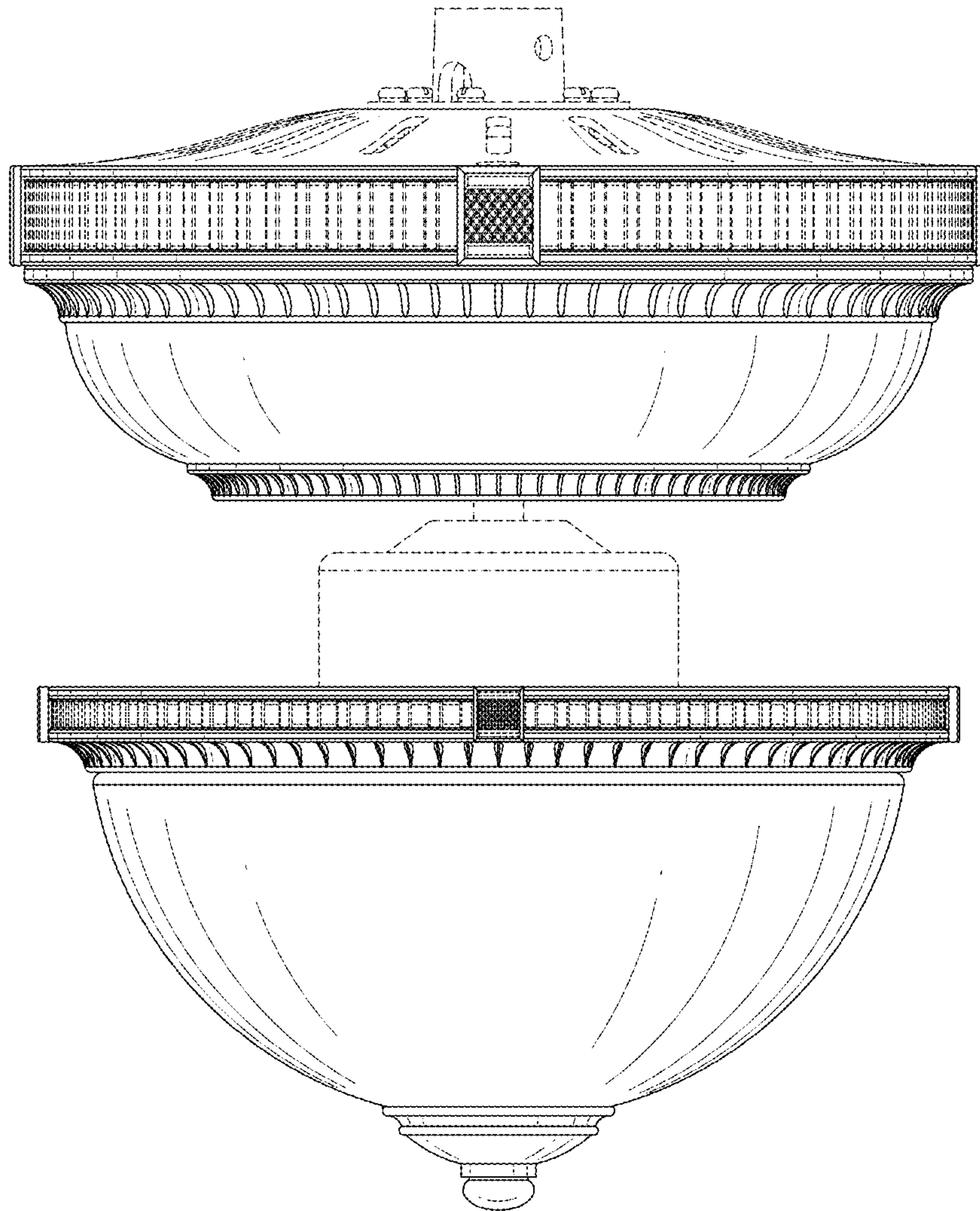


FIG. 3

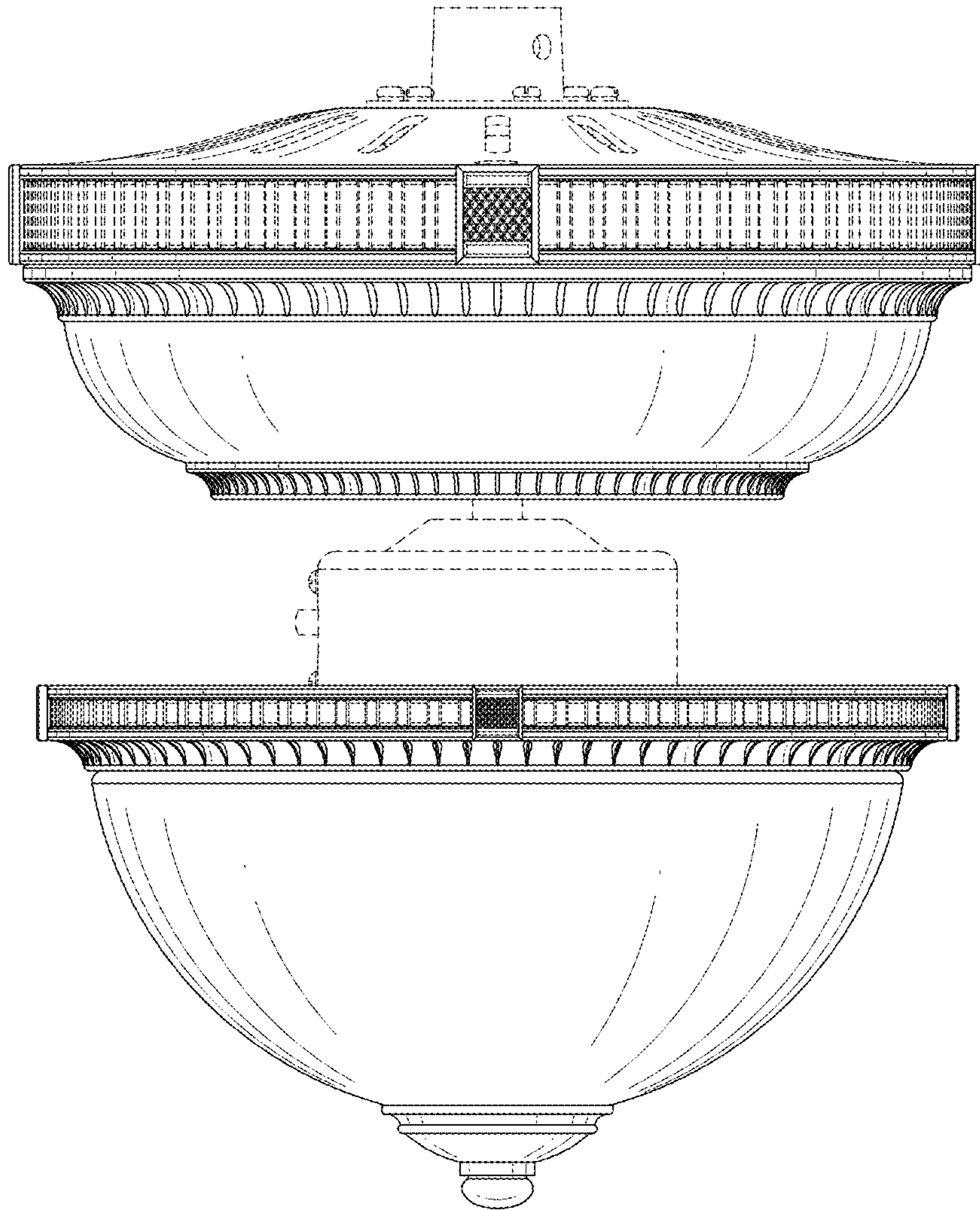


FIG. 4

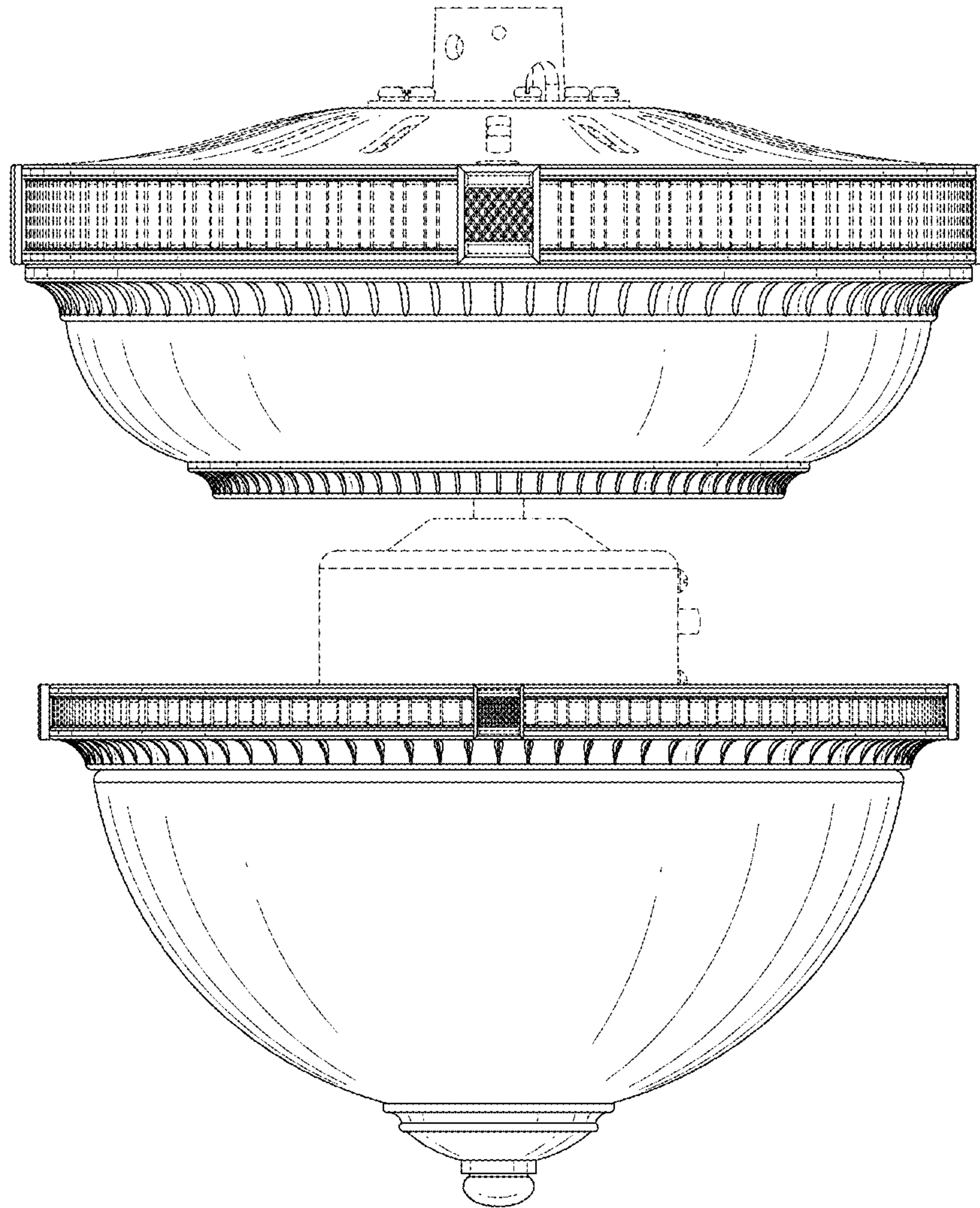


FIG. 5

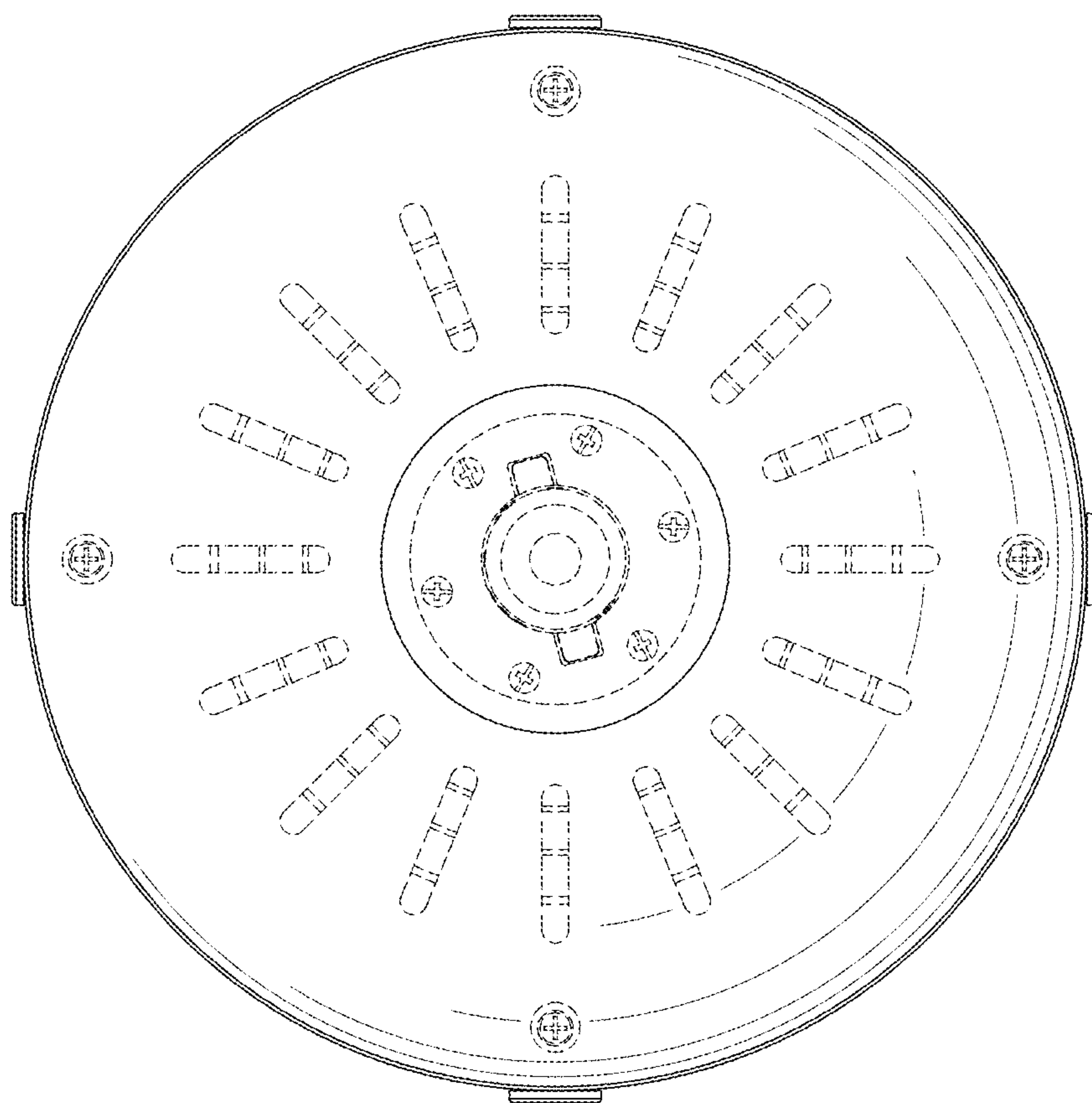


FIG. 6

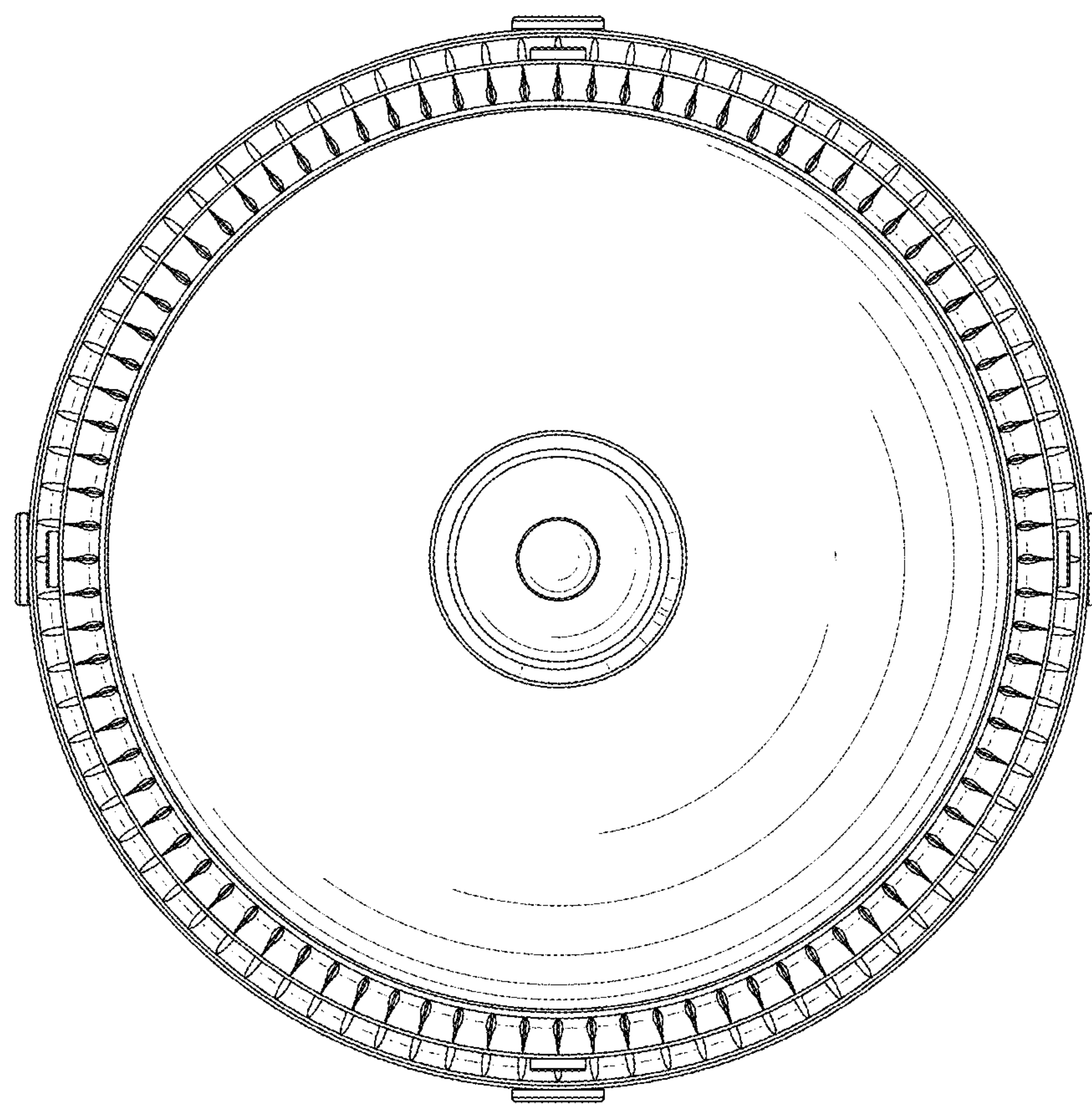


FIG. 7

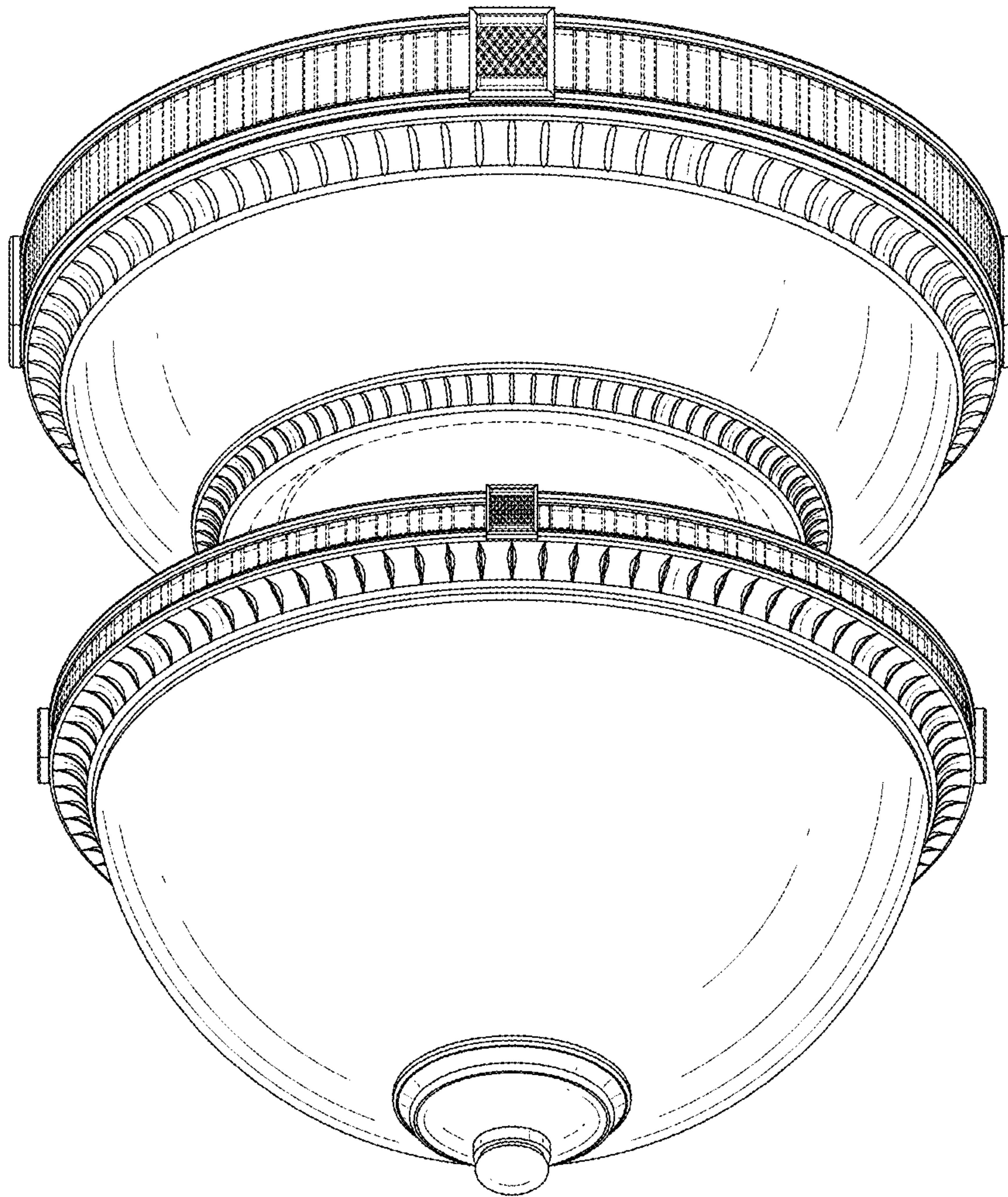


FIG. 8