



US00D743525S

(12) **United States Design Patent**
Wang

(10) **Patent No.:** **US D743,525 S**

(45) **Date of Patent:** **** Nov. 17, 2015**

(54) **CEILING FAN MOTOR HOUSING WITH LIGHT KIT**

(71) Applicant: **AIR COOL INDUSTRIAL CO., LTD.,**
Taichung (TW)

(72) Inventor: **Cliff Wang,** Taichung (TW)

(73) Assignee: **AIR COOL INDUSTRIAL CO., LTD.,**
Taichung (TW)

(**) Term: **14 Years**

(21) Appl. No.: **29/499,667**

(22) Filed: **Aug. 18, 2014**

(51) **LOC (10) Cl.** **23-04**

(52) **U.S. Cl.**
USPC **D23/411; D26/59**

(58) **Field of Classification Search**
USPC D23/377, 370-376, 378-394, 411-414,
D23/499; 416/5, 62, 170 R, 214 R, 184, 206,
416/207, 210 R, 220 R, 241 R, 244 R, 248,
416/223 R, 232, 234, 242; 417/423.1;
392/361, 364; D26/51, 59, 72, 83, 92
CPC F04D 25/088; F04D 29/00; F04D 29/005;
F04D 29/34; F04D 29/40; F21V 33/00;
F21V 33/0088; F21V 33/0096
See application file for complete search history.

(56) **References Cited**

U.S. PATENT DOCUMENTS

D457,235 S * 5/2002 Hidalgo D23/379
D522,645 S * 6/2006 Ertze D23/411
D523,950 S * 6/2006 Chen D23/411

D525,698 S * 7/2006 Wang D23/377
D530,416 S * 10/2006 Shurtleff D23/411
D536,435 S * 2/2007 Tinen D23/377
D550,832 S * 9/2007 Ertze D23/411
D556,882 S * 12/2007 Flores D23/377
D573,242 S * 7/2008 Pan D23/377
D627,047 S * 11/2010 Shurtleff D23/377
D706,917 S * 6/2014 Cohen D23/377
D707,807 S * 6/2014 Pan D23/377
2002/0145867 A1 * 10/2002 Tsuji F04D 25/088
362/147

* cited by examiner

Primary Examiner — Susan Bennett Hattan

Assistant Examiner — Marie Fast Horse

(74) *Attorney, Agent, or Firm* — Ming Chow; Sinorica, LLC

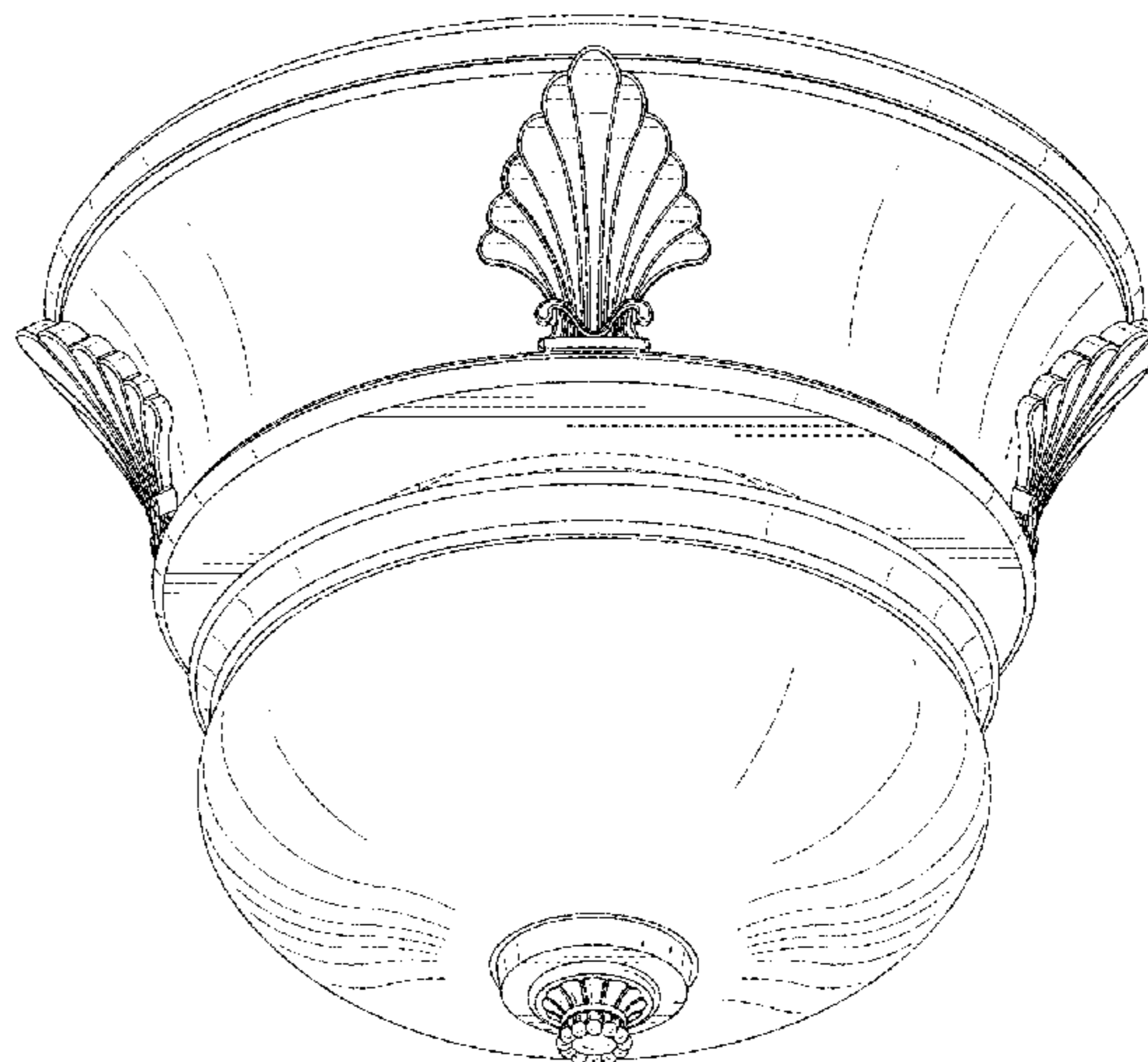
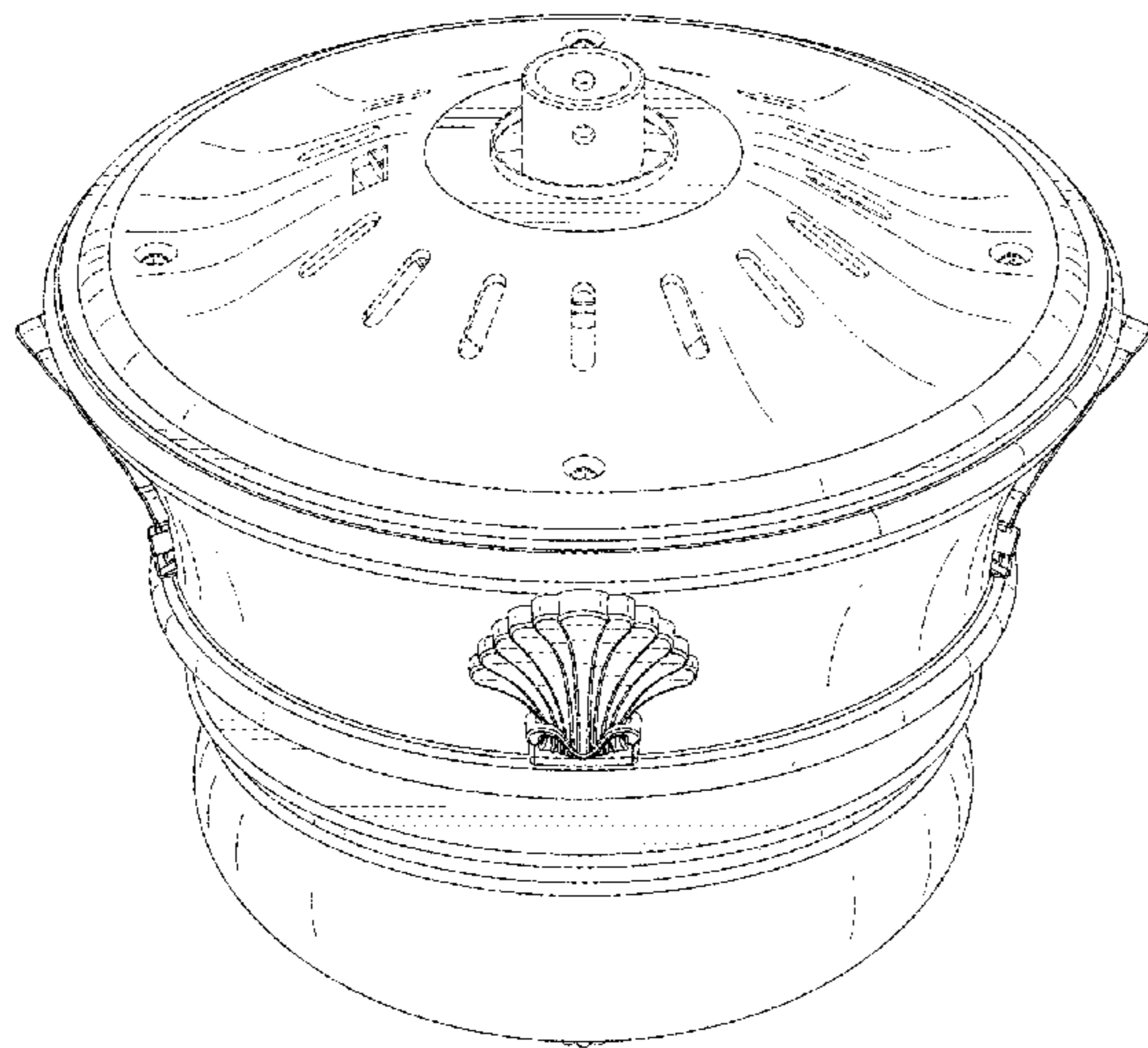
(57) **CLAIM**

I claim the ornamental design for a ceiling fan motor housing with light kit, as shown and described.

DESCRIPTION

FIG. 1 is a front perspective view of a ceiling fan motor housing with light kit showing my new design; FIG. 2 is a front elevational view thereof; FIG. 3 is a rear elevational view thereof; FIG. 4 is a left side elevational view thereof; FIG. 5 is a right side elevational view thereof; FIG. 6 is a top plan view thereof; FIG. 7 is a bottom plan view thereof; and, FIG. 8 is another front perspective view. The broken lines in the drawings depict parts of the ceiling fan motor housing with light kit that form no part of the claimed design.

1 Claim, 8 Drawing Sheets



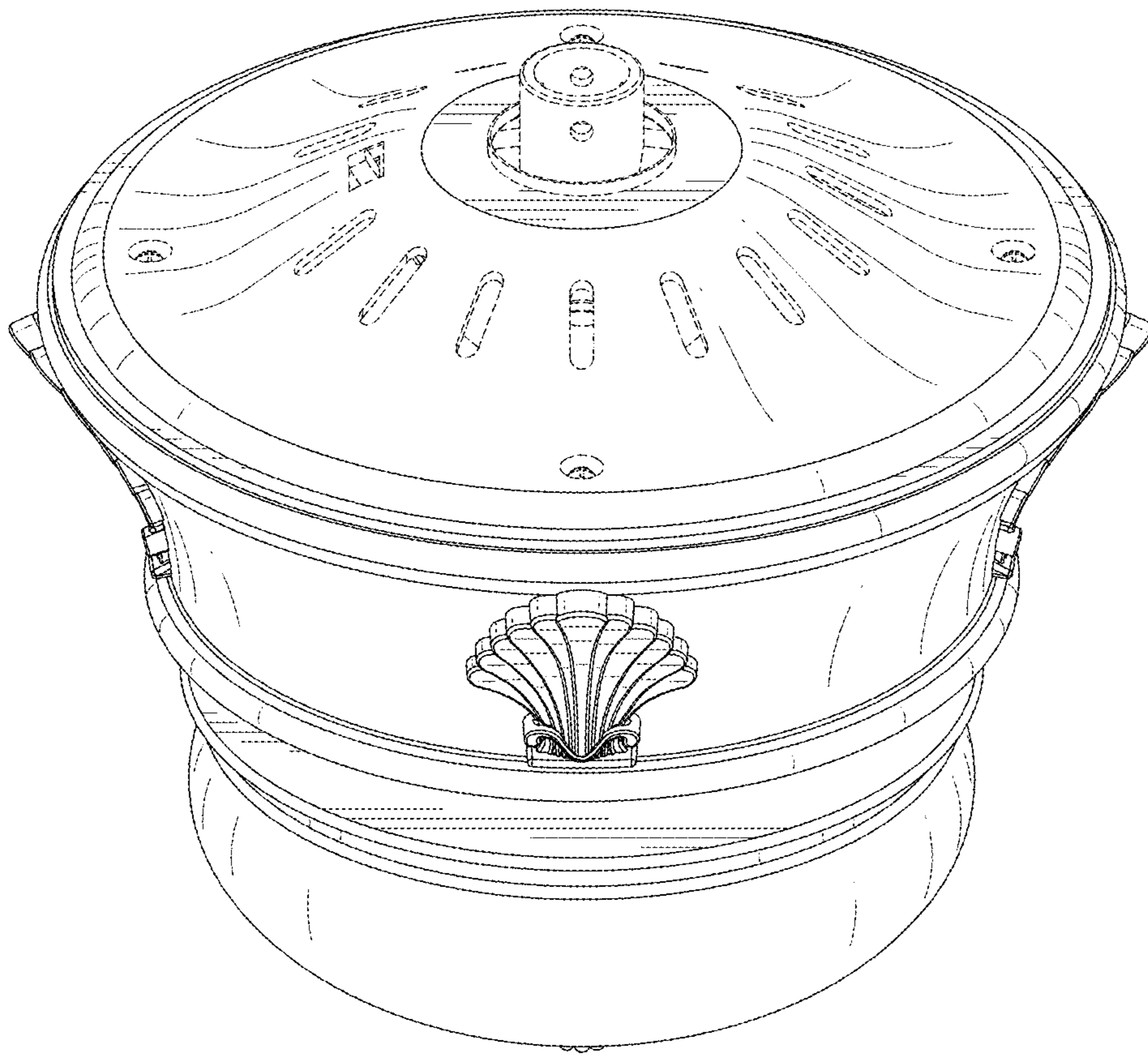


FIG. 1

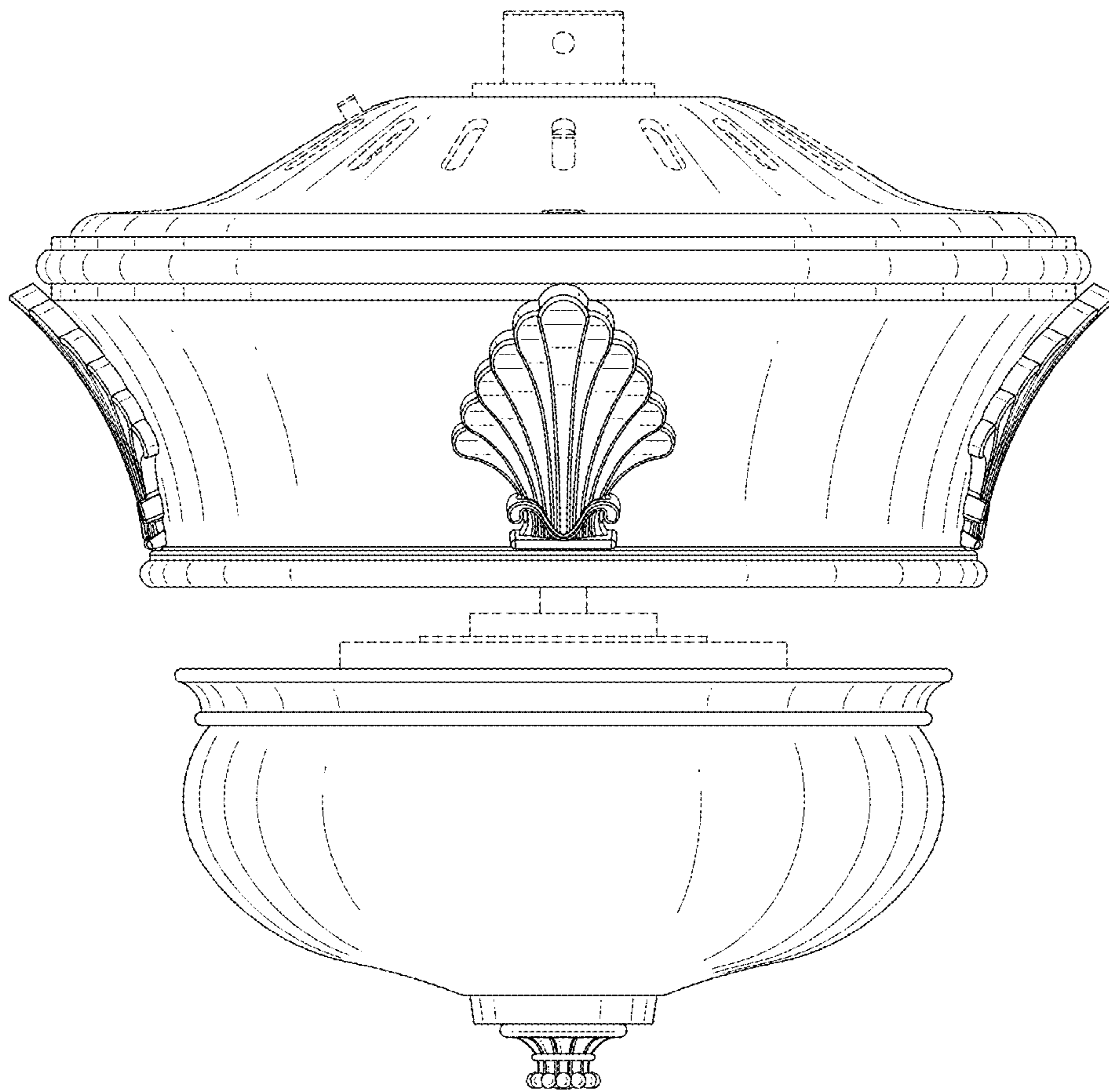


FIG. 2

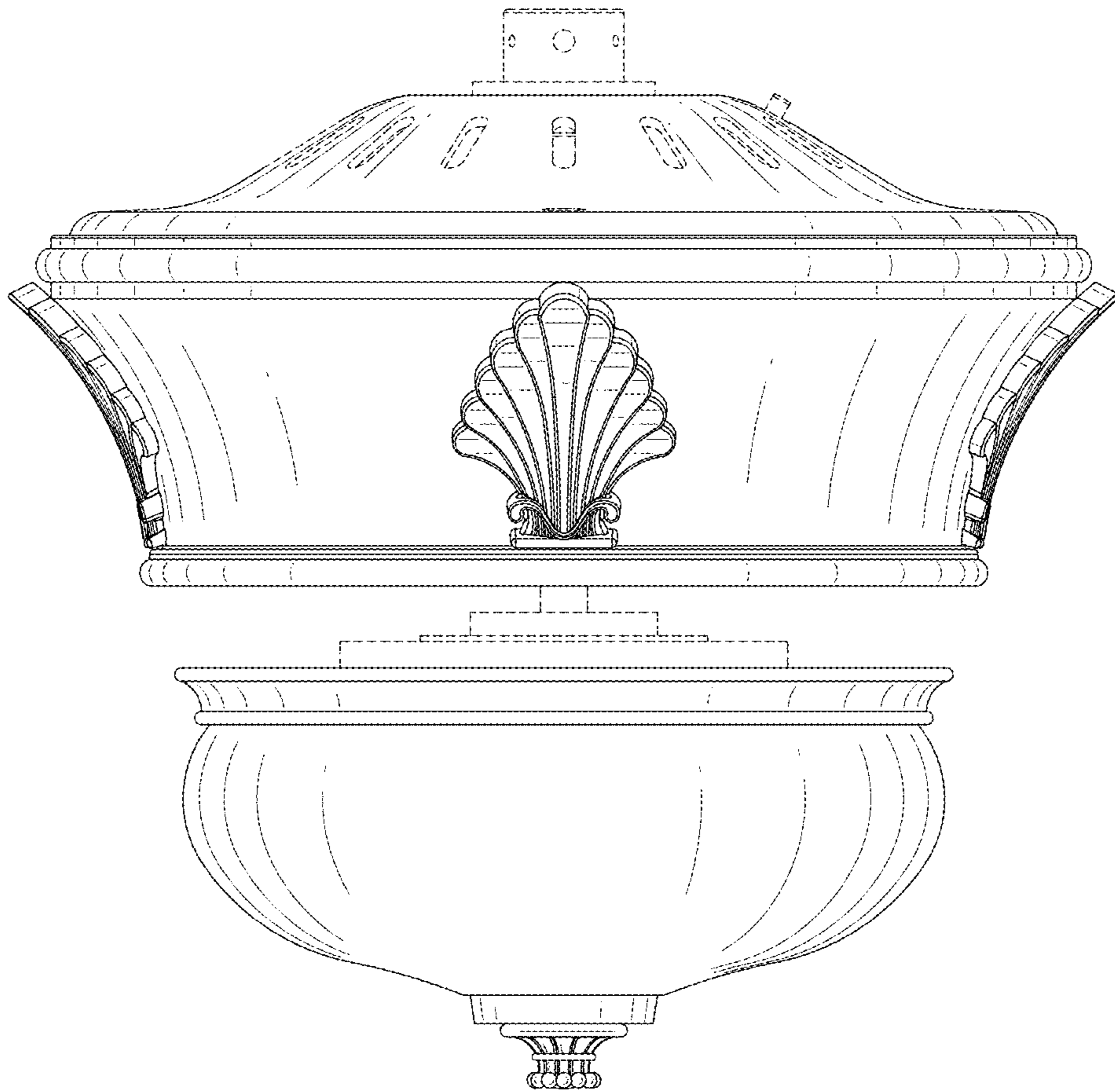


FIG. 3

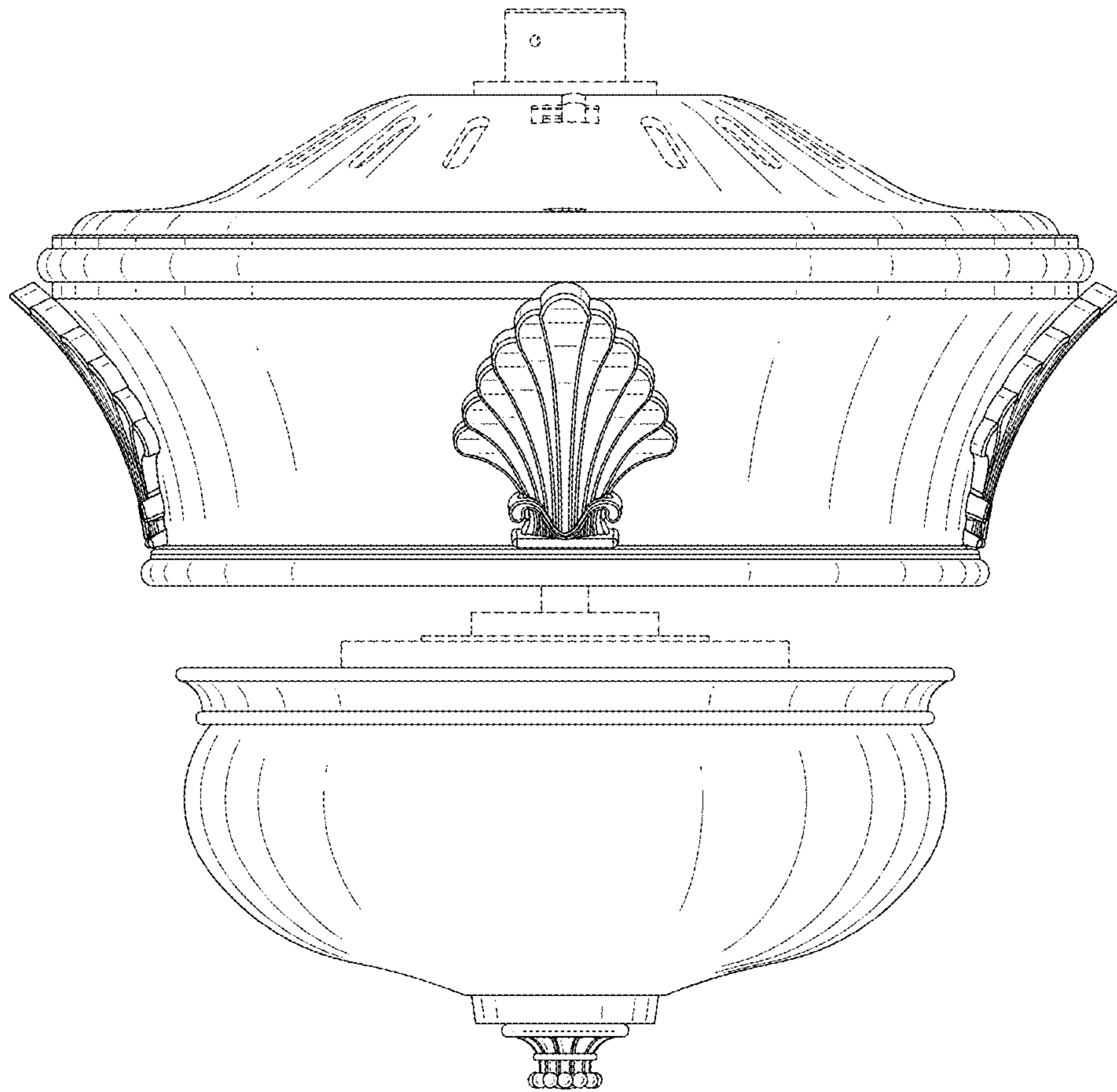


FIG. 4

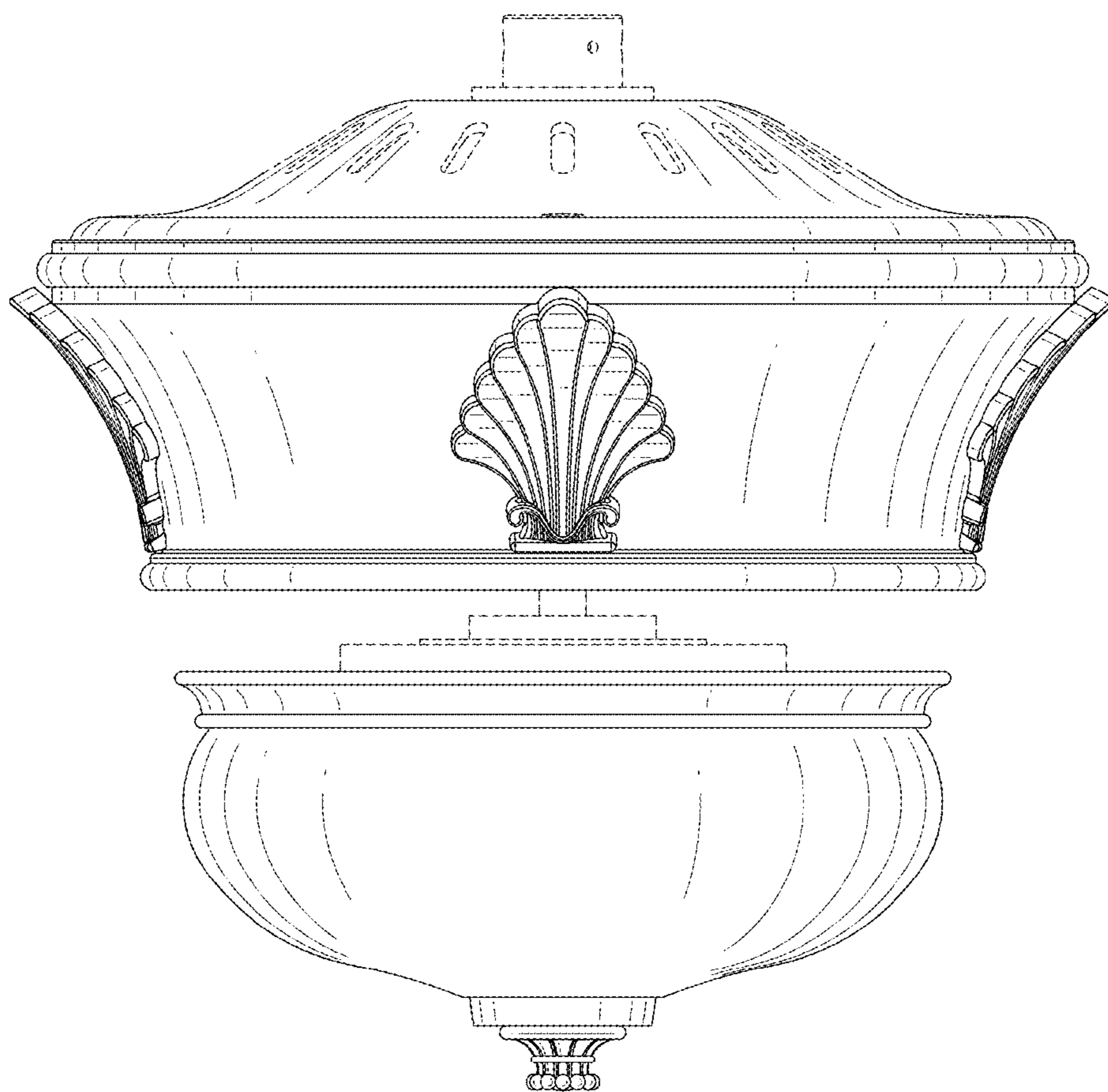


FIG. 5

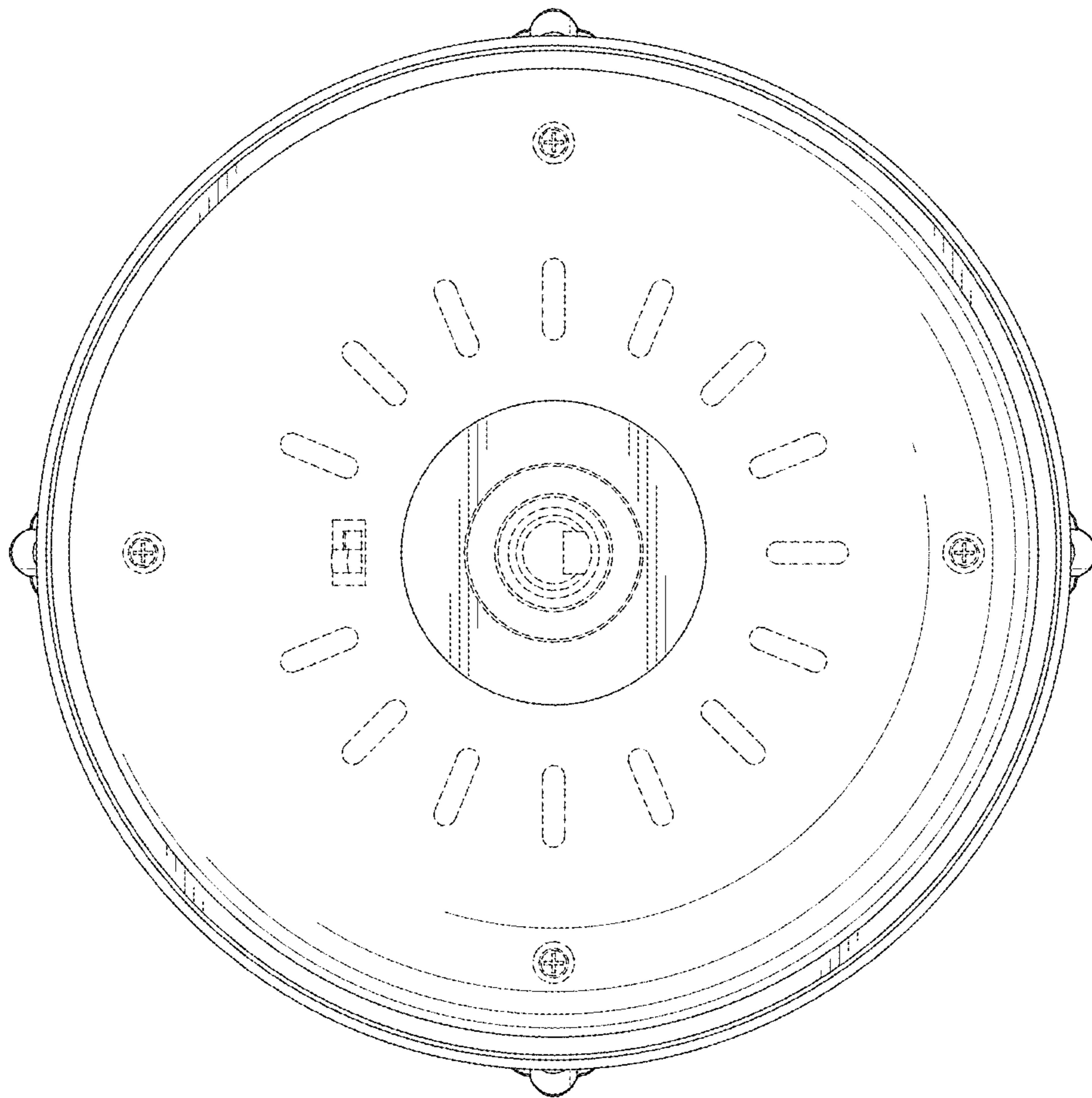


FIG. 6

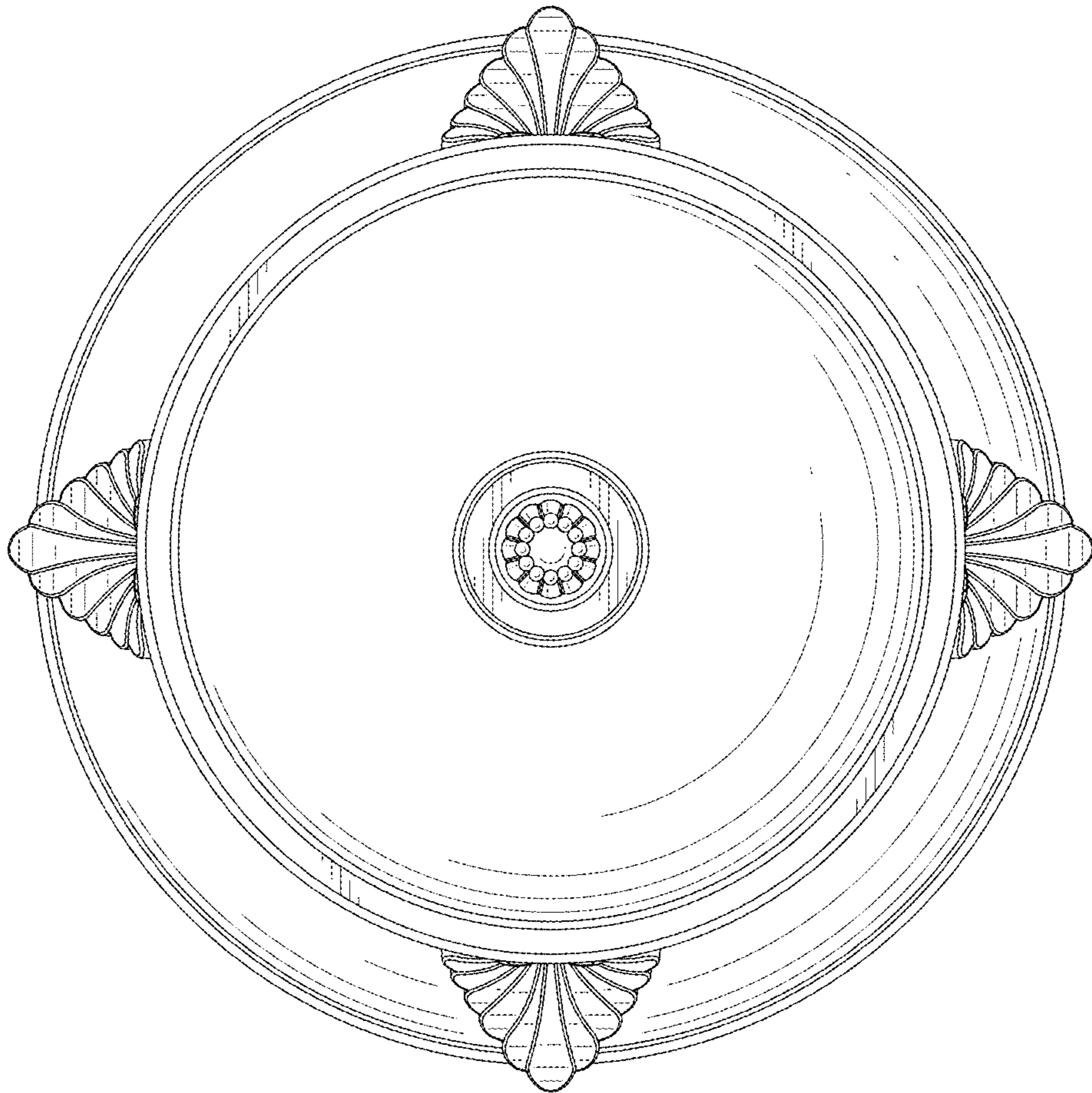


FIG. 7

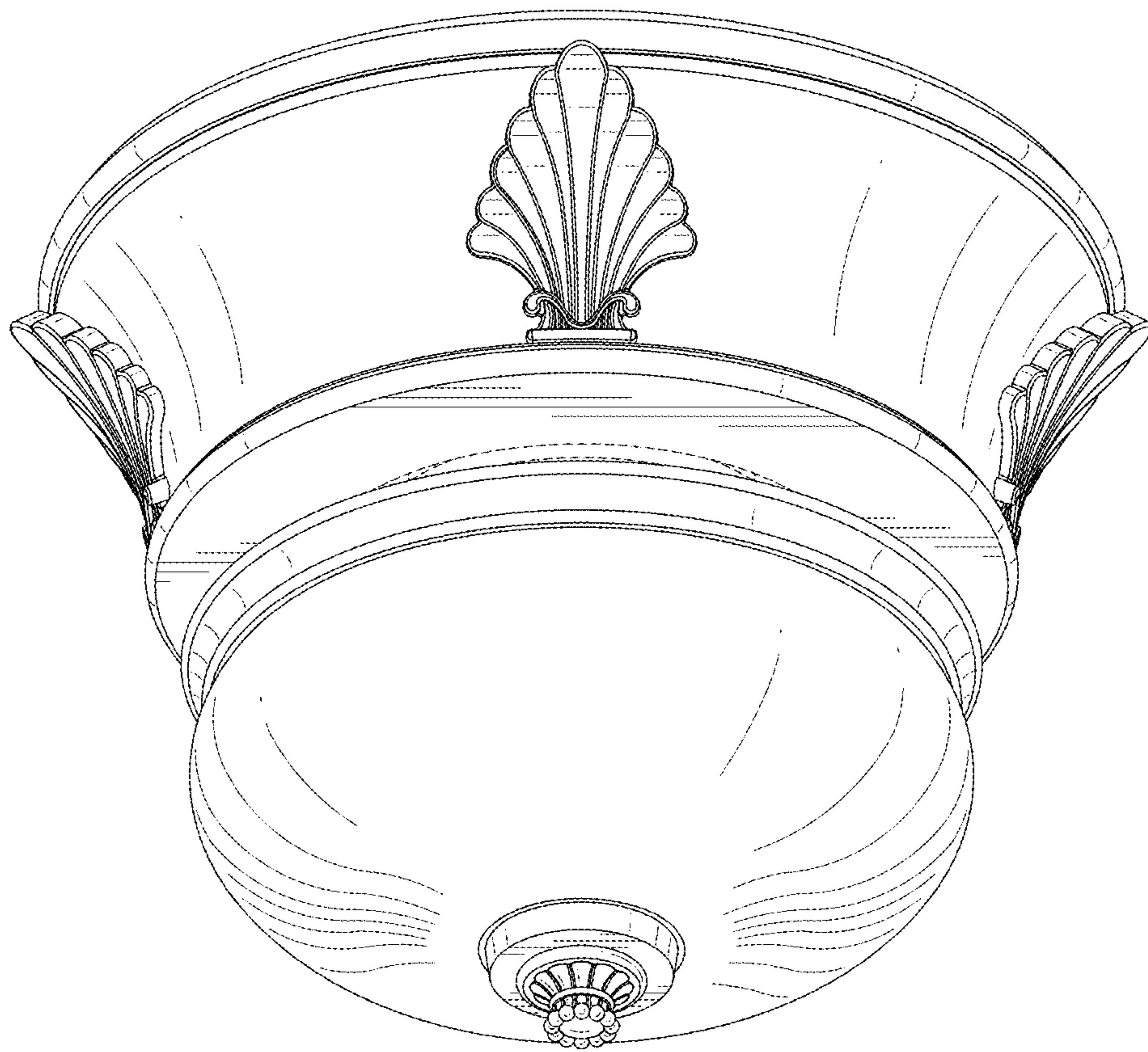


FIG. 8