



US00D743524S

(12) **United States Design Patent**  
**Wang**

(10) **Patent No.:** **US D743,524 S**  
(45) **Date of Patent:** **\*\* Nov. 17, 2015**

(54) **FAN BLADE BRACKET**

(71) Applicant: **AIR COOL INDUSTRIAL CO., LTD.,**  
Taichung (TW)

(72) Inventor: **Cliff Wang,** Taichung (TW)

(73) Assignee: **AIR COOL INDUSTRIAL CO., LTD.,**  
Taichung (TW)

(\*\*) Term: **14 Years**

(21) Appl. No.: **29/498,131**

(22) Filed: **Jul. 31, 2014**

(51) **LOC (10) Cl.** ..... **23-04**

(52) **U.S. Cl.**  
USPC ..... **D23/411**

(58) **Field of Classification Search**  
USPC ..... D23/377, 370–376, 378–394, 411–414,  
D23/499; D12/214, 305, 319, 339, 344,  
D12/345; 416/5, 62, 170 R, 214 R, 184, 206,  
416/207, 210 R, 220 R, 241 R, 244 R, 248,  
416/223 R, 232, 234, 242; 417/423.1;  
392/364; D26/59; D8/327, 328, 343,  
D8/349, 363, 376, 378, 380  
CPC ... F04D 25/088; F04D 29/263; F04D 29/266;  
F04D 29/322; F04D 29/34; F04D 29/36;  
F04D 29/362; F04D 29/364; F04D 29/366;  
F04D 29/368; F04D 29/384; F04D 29/60;  
F01D 5/30; F21V 33/0096  
See application file for complete search history.

(56) **References Cited**

**U.S. PATENT DOCUMENTS**

D115,439 S \* 6/1939 Beupre ..... D11/5  
D192,186 S \* 2/1962 Sakhnoffsky ..... D8/367  
D357,624 S \* 4/1995 Ferdman ..... D8/368  
D371,838 S \* 7/1996 Davis, Jr. .... D11/115  
D437,046 S \* 1/2001 Tsuji ..... D23/411  
D445,717 S \* 7/2001 Haquet ..... D11/27

D445,892 S \* 7/2001 Hsieh ..... D23/411  
D447,437 S \* 9/2001 Haquet ..... D11/27  
D477,395 S \* 7/2003 Thomas, Jr. .... D23/411  
D480,134 S \* 9/2003 Wilson ..... D23/411  
D486,220 S \* 2/2004 Hsieh ..... D23/411  
D499,477 S \* 12/2004 Burns ..... D23/411  
D505,877 S \* 6/2005 Hardy ..... D11/26  
D508,123 S \* 8/2005 Pickett ..... D23/411  
D557,794 S \* 12/2007 Curtin ..... D23/411  
D558,327 S \* 12/2007 Pickett ..... D23/411  
D588,444 S \* 3/2009 Shamlan ..... D8/367  
D595,404 S \* 6/2009 Pan ..... D23/411

(Continued)

**OTHER PUBLICATIONS**

Link Fan—Kichler Lighting. Youtube.com(online) 1 page. published  
Mar. 12, 2014 [retrieved on Sep. 2, 2015]. Retrieved from Internet:  
<<https://www.youtube.com/watch?v=9zGfjJ8xFhY>>.\*

(Continued)

*Primary Examiner* — Susan Bennett Hattan  
*Assistant Examiner* — Marie Fast Horse  
(74) *Attorney, Agent, or Firm* — Ming Chow; Sinorica, LLC

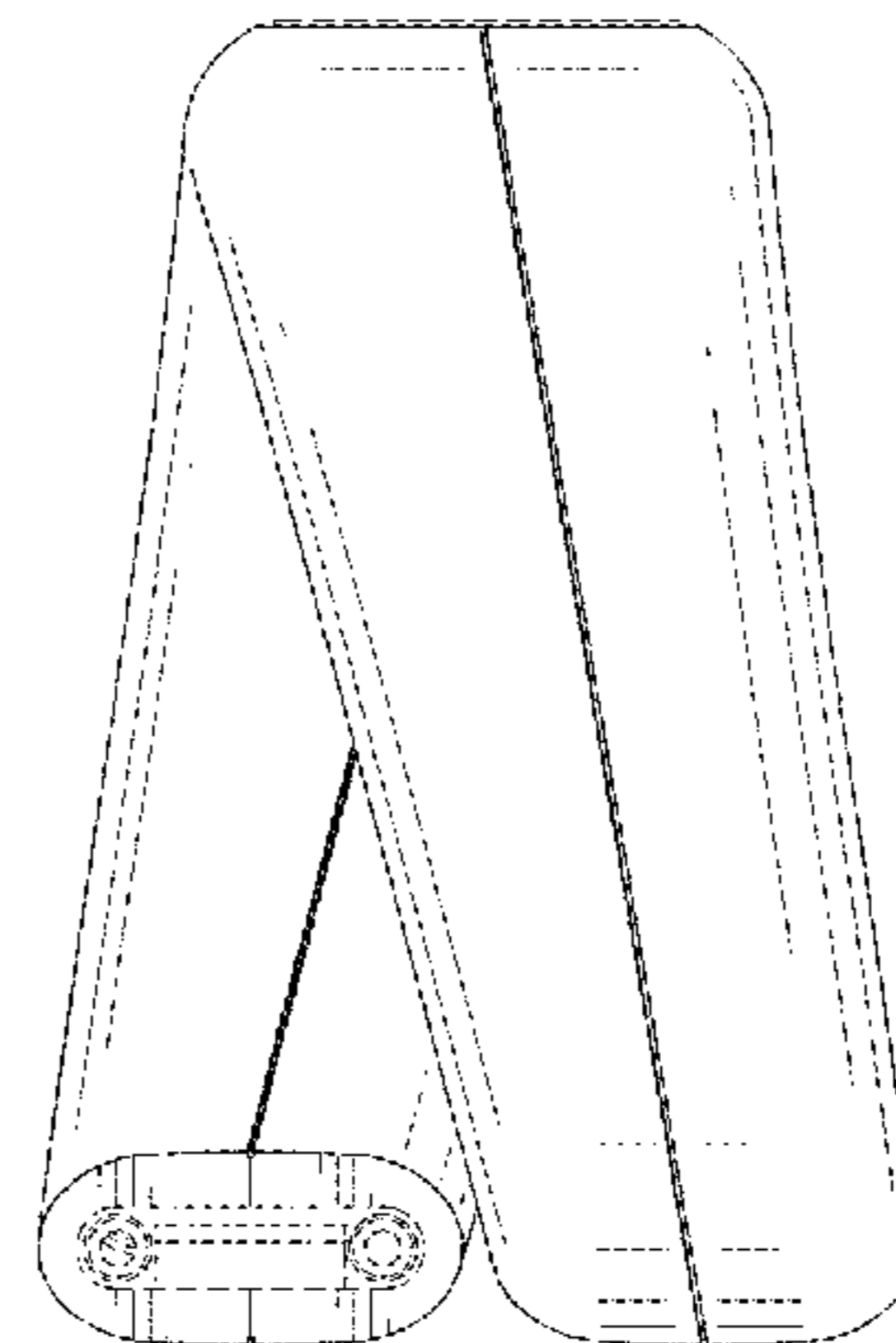
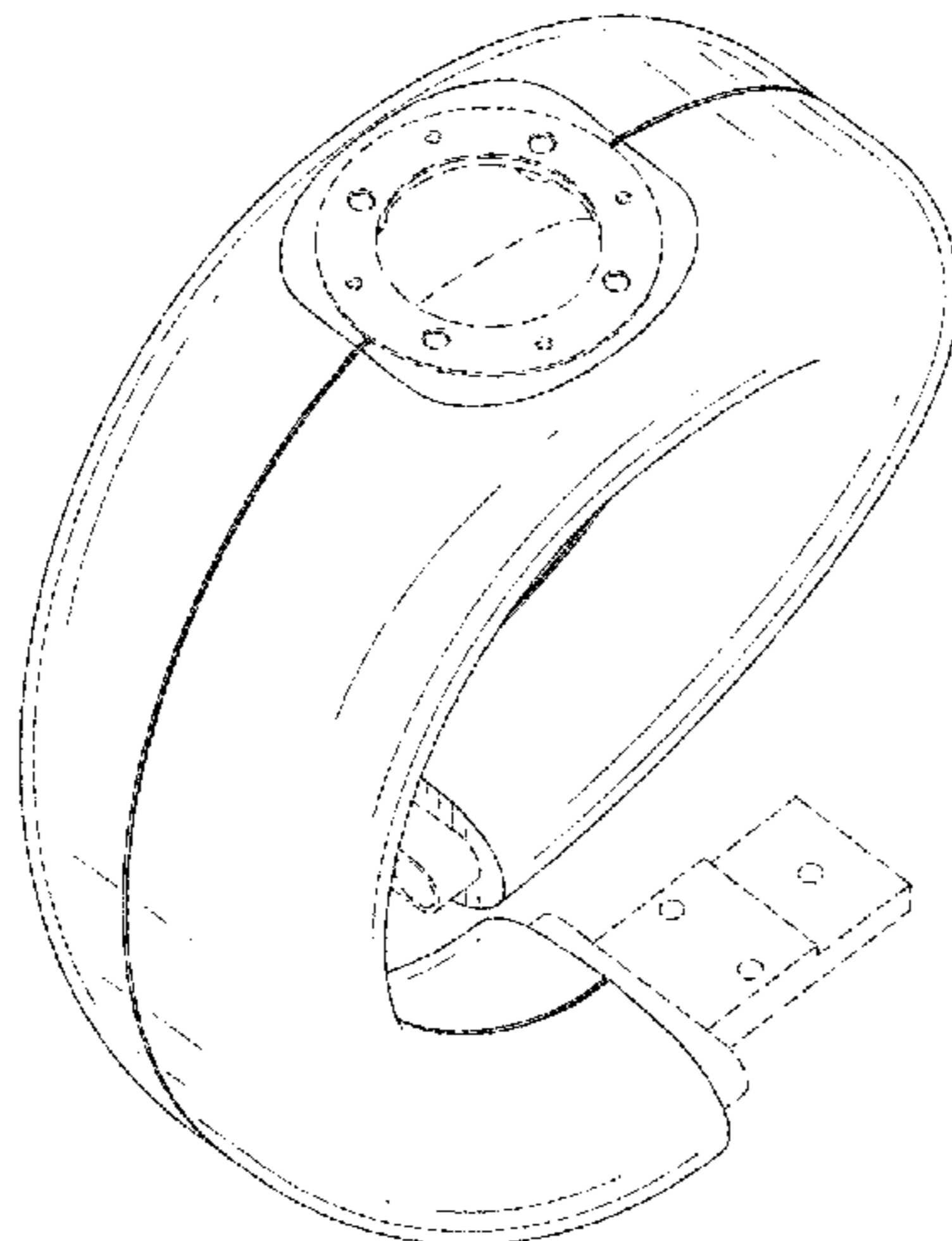
(57) **CLAIM**

I claim the ornamental design for a fan blade bracket, as  
shown and described.

**DESCRIPTION**

FIG. 1 is a front perspective view of a fan blade bracket  
showing my new design;  
FIG. 2 is a front elevational view thereof;  
FIG. 3 is a rear elevational view thereof;  
FIG. 4 is a left side elevational view thereof;  
FIG. 5 is a right side elevational view thereof;  
FIG. 6 is a top plan view thereof;  
FIG. 7 is a bottom plan view thereof; and,  
FIG. 8 is another front perspective view.  
The broken lines in the drawings depict a part of the fan blade  
bracket that forms no part of the claimed design.

**1 Claim, 5 Drawing Sheets**



(56)

References Cited

U.S. PATENT DOCUMENTS

D599,467 S \* 9/2009 Bucher ..... D23/411  
D626,213 S \* 10/2010 Shurtleff ..... D23/411  
D627,872 S \* 11/2010 Pan ..... D23/411  
D678,801 S \* 3/2013 Takahashi ..... D11/37  
D678,802 S \* 3/2013 Takahashi ..... D11/37  
D678,997 S \* 3/2013 Gajewski ..... D23/372  
D707,808 S \* 6/2014 Wang ..... D23/377  
2012/0177496 A1\* 7/2012 Gajewski ..... F04D 25/088  
416/204 R

OTHER PUBLICATIONS

Kichler Link 300168. build.com [online] 2 pages Posted as early as Dec. 2014 based on sole review [retrieved on Sep. 2, 2015]. Retrieved from Internet: <<http://www.build.com/kichler-300168/s918765>>.\*  
Westinghouse 7201600 Aerialist. Amazon.com. [online] 7 pages Posted as early as Dec. 2014 based on sole review [retrieved on Sep. 2, 2015]. Retrieved from Internet: <[http://www.amazon.com/Westinghouse-7201600-Aerialist-52-Inch-Two-Blade/dp/B00WHQP1MC/ref=pd\\_sim\\_sbs\\_60\\_10?ie=UTF8&refRID=0WH57AYAR3HS1F6QF31Y](http://www.amazon.com/Westinghouse-7201600-Aerialist-52-Inch-Two-Blade/dp/B00WHQP1MC/ref=pd_sim_sbs_60_10?ie=UTF8&refRID=0WH57AYAR3HS1F6QF31Y)>.\*

\* cited by examiner

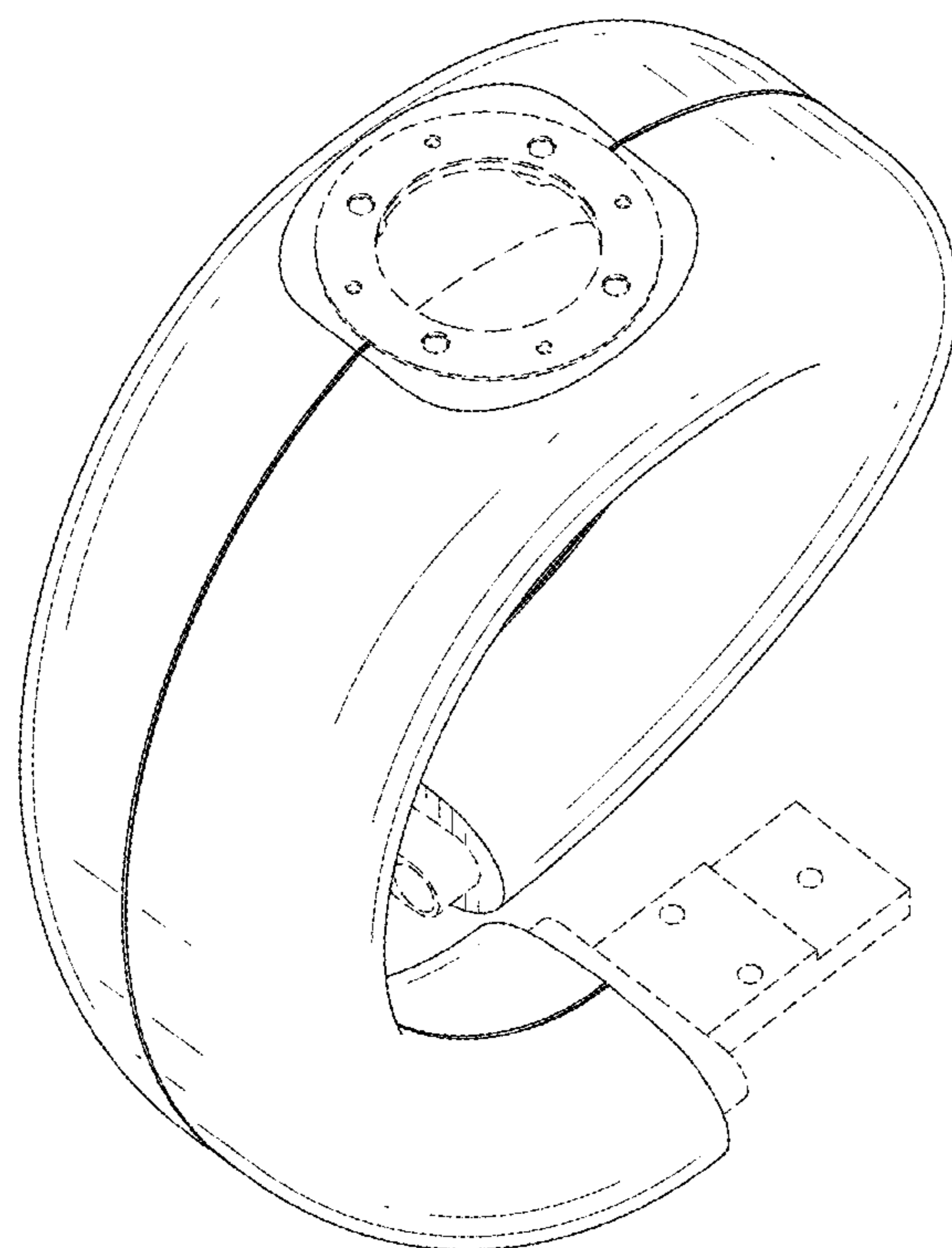


FIG. 1

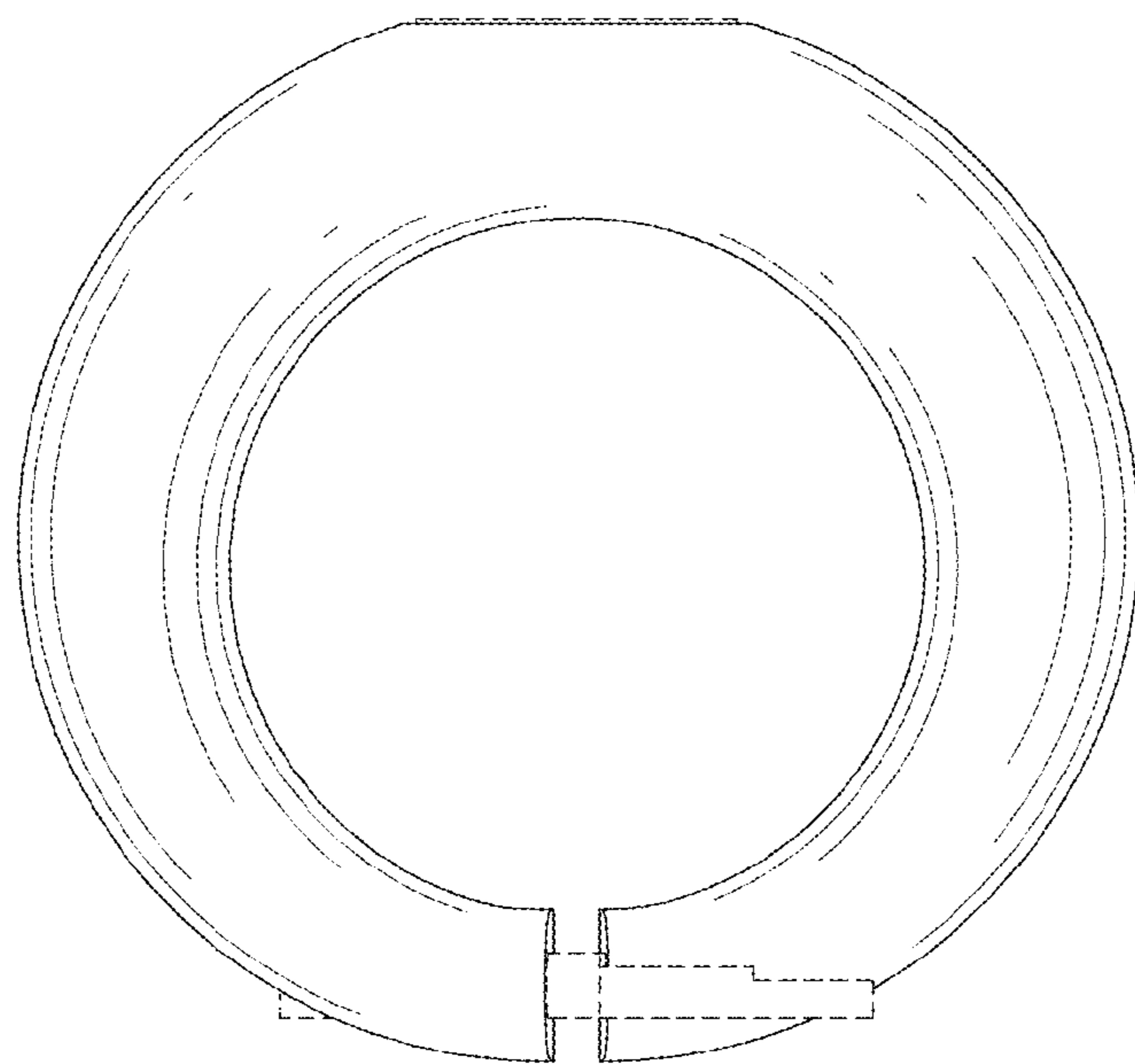


FIG. 2

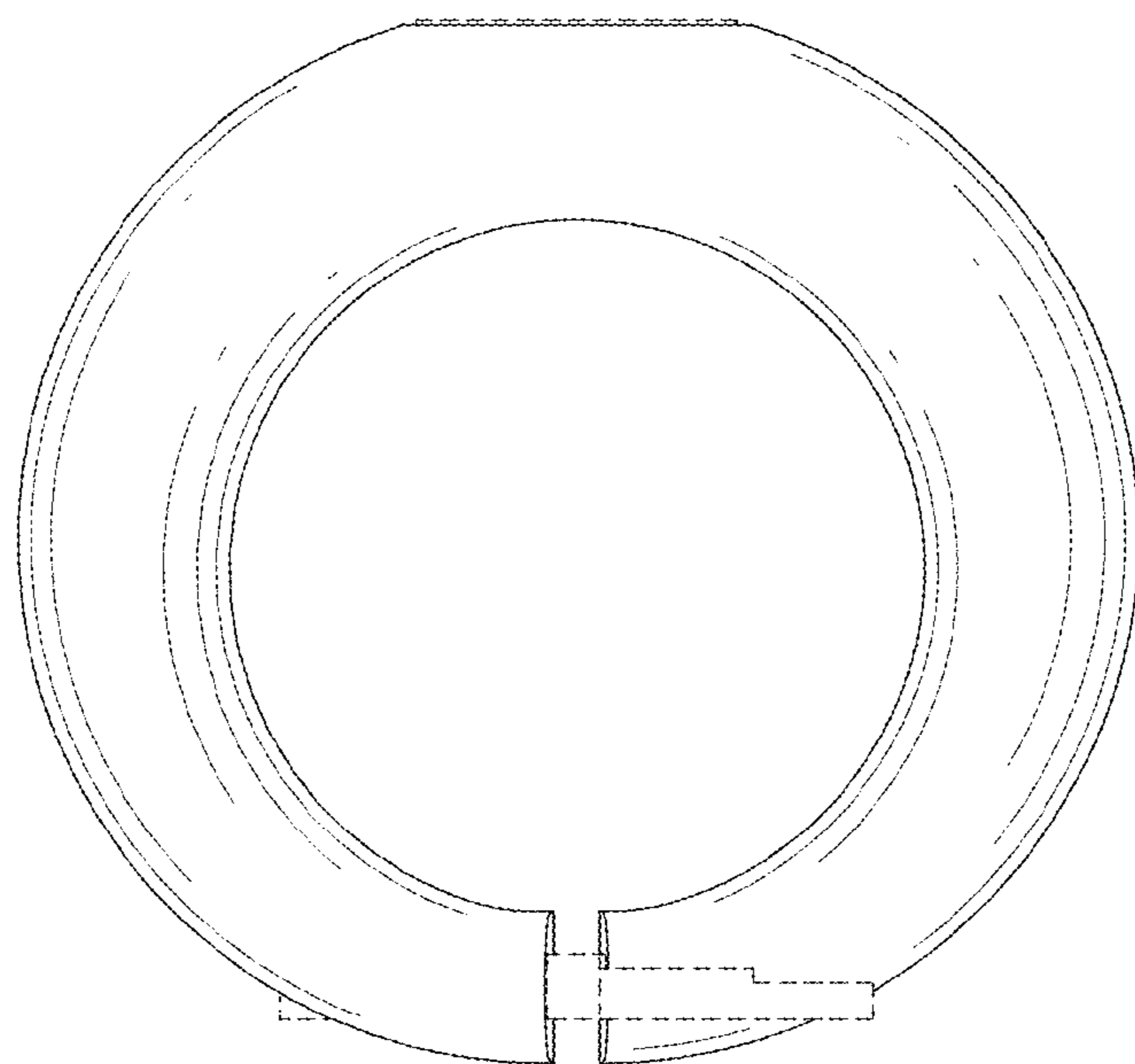


FIG. 3

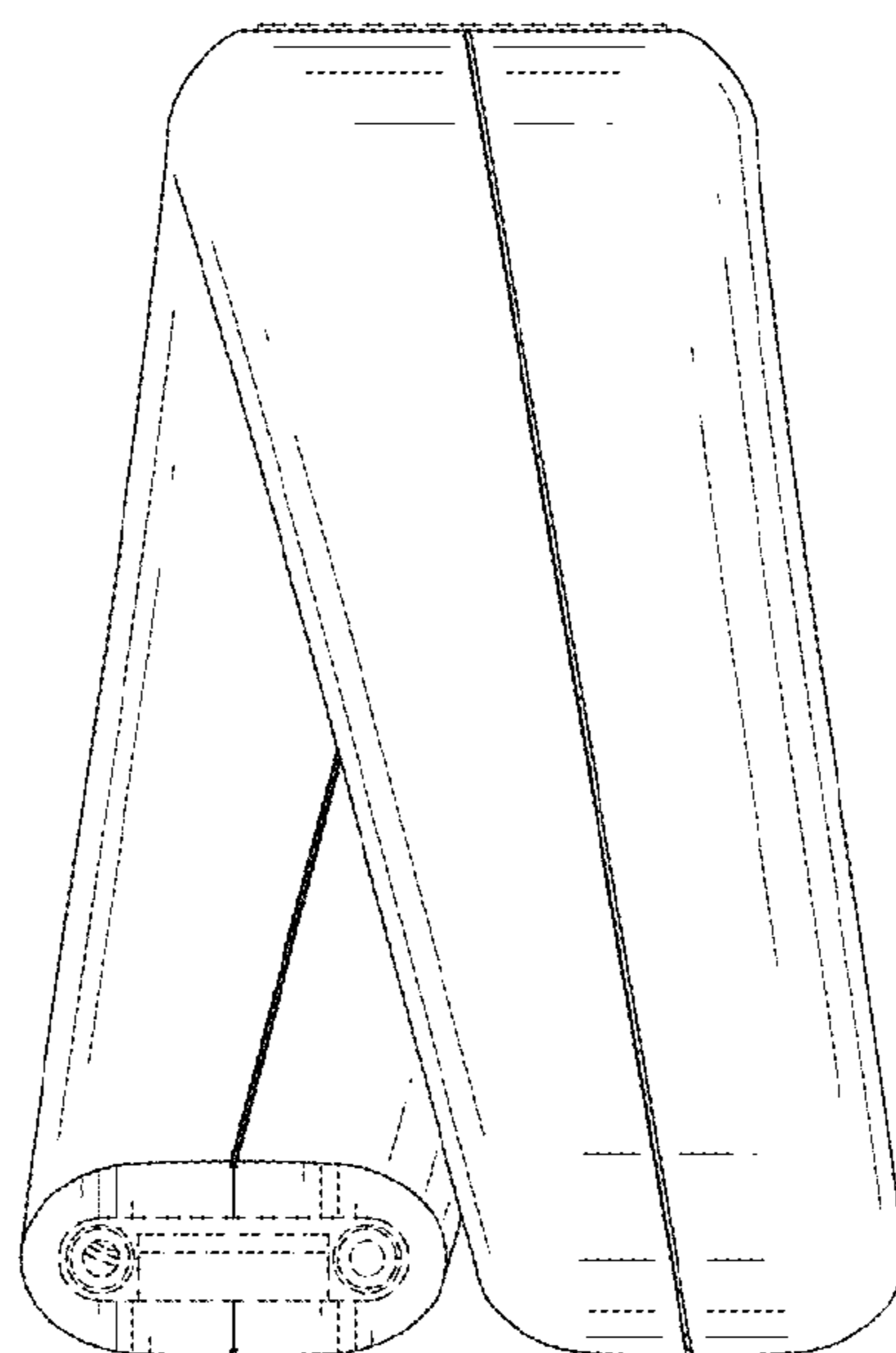


FIG. 4

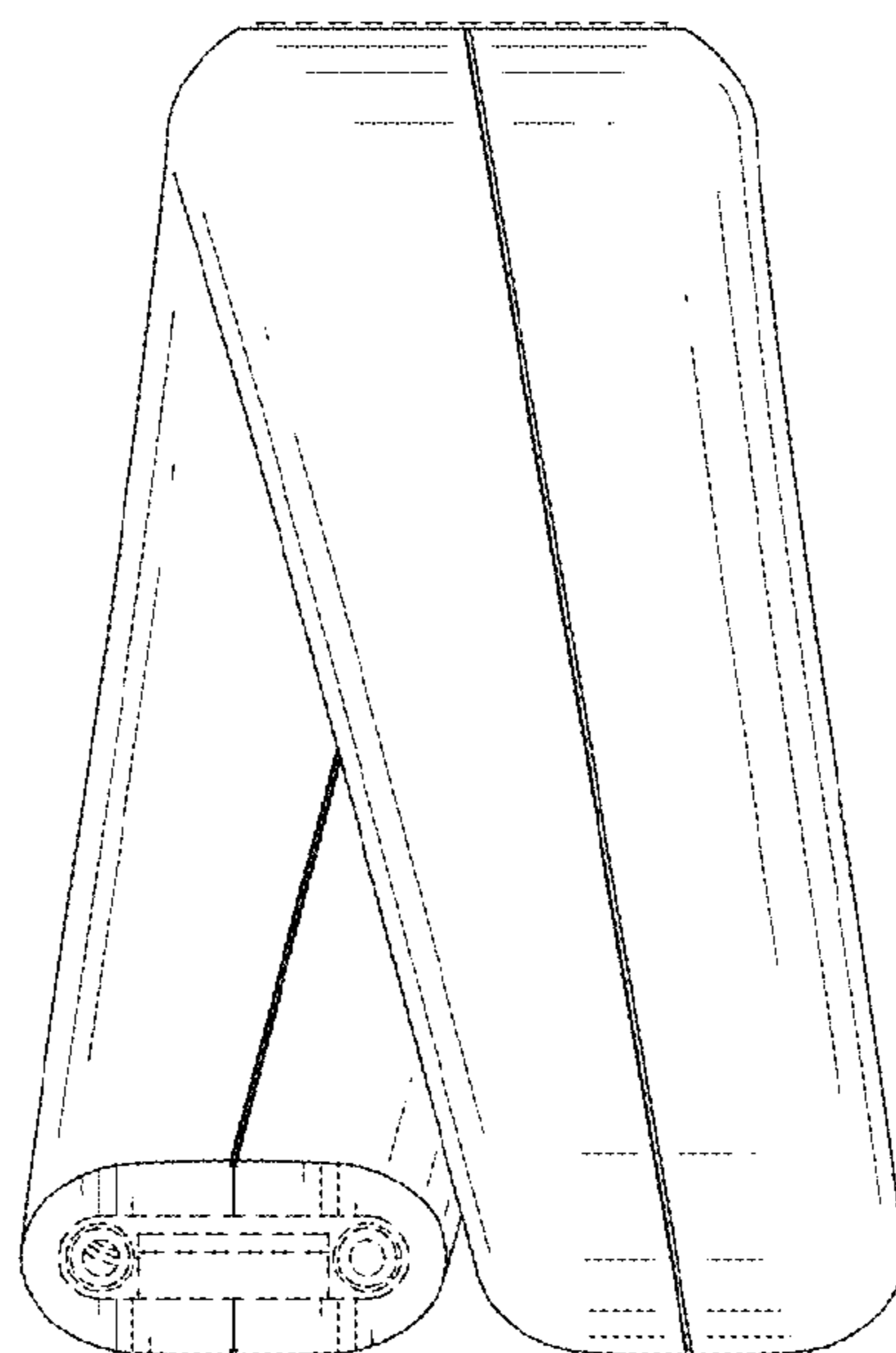


FIG. 5

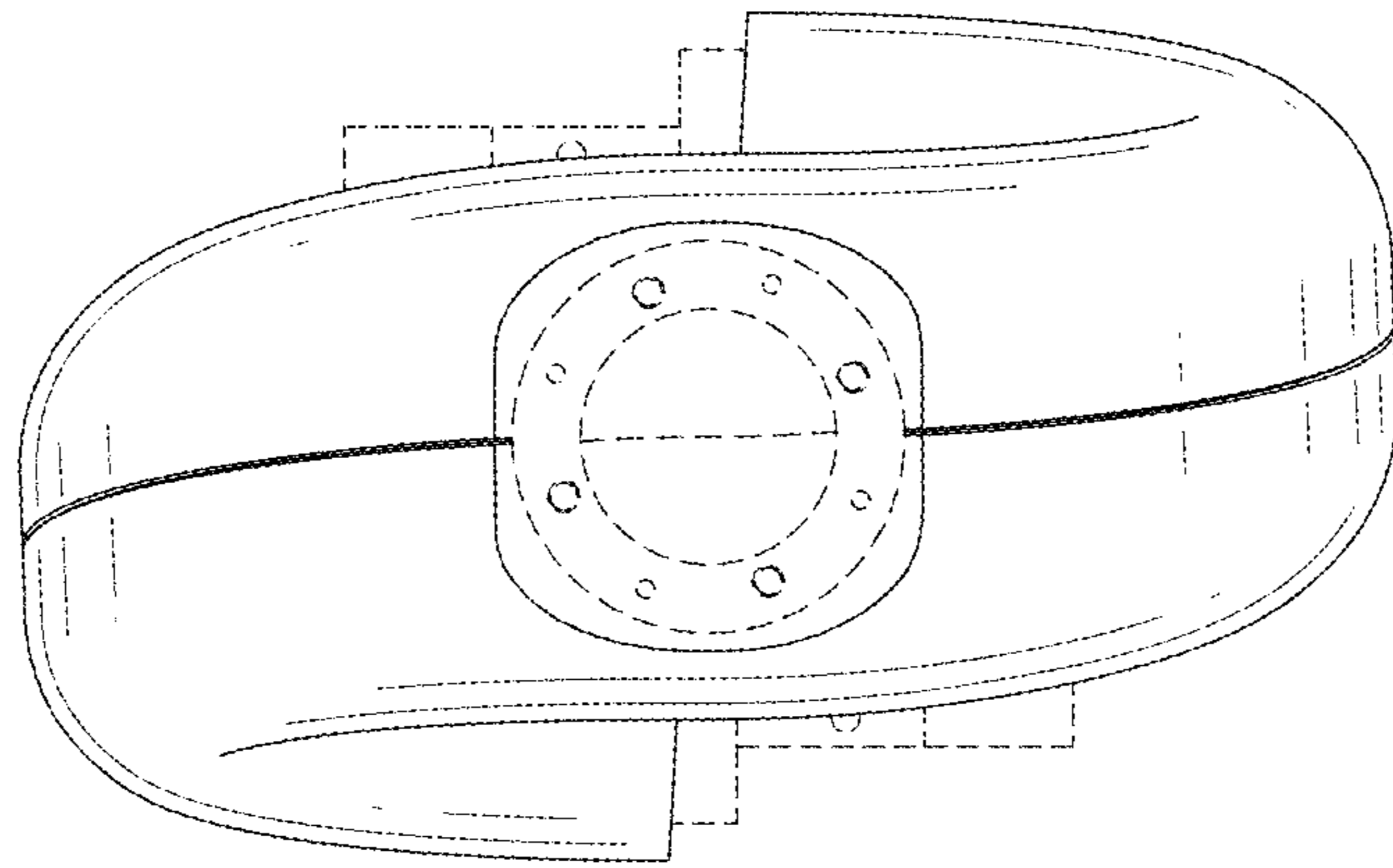


FIG. 6

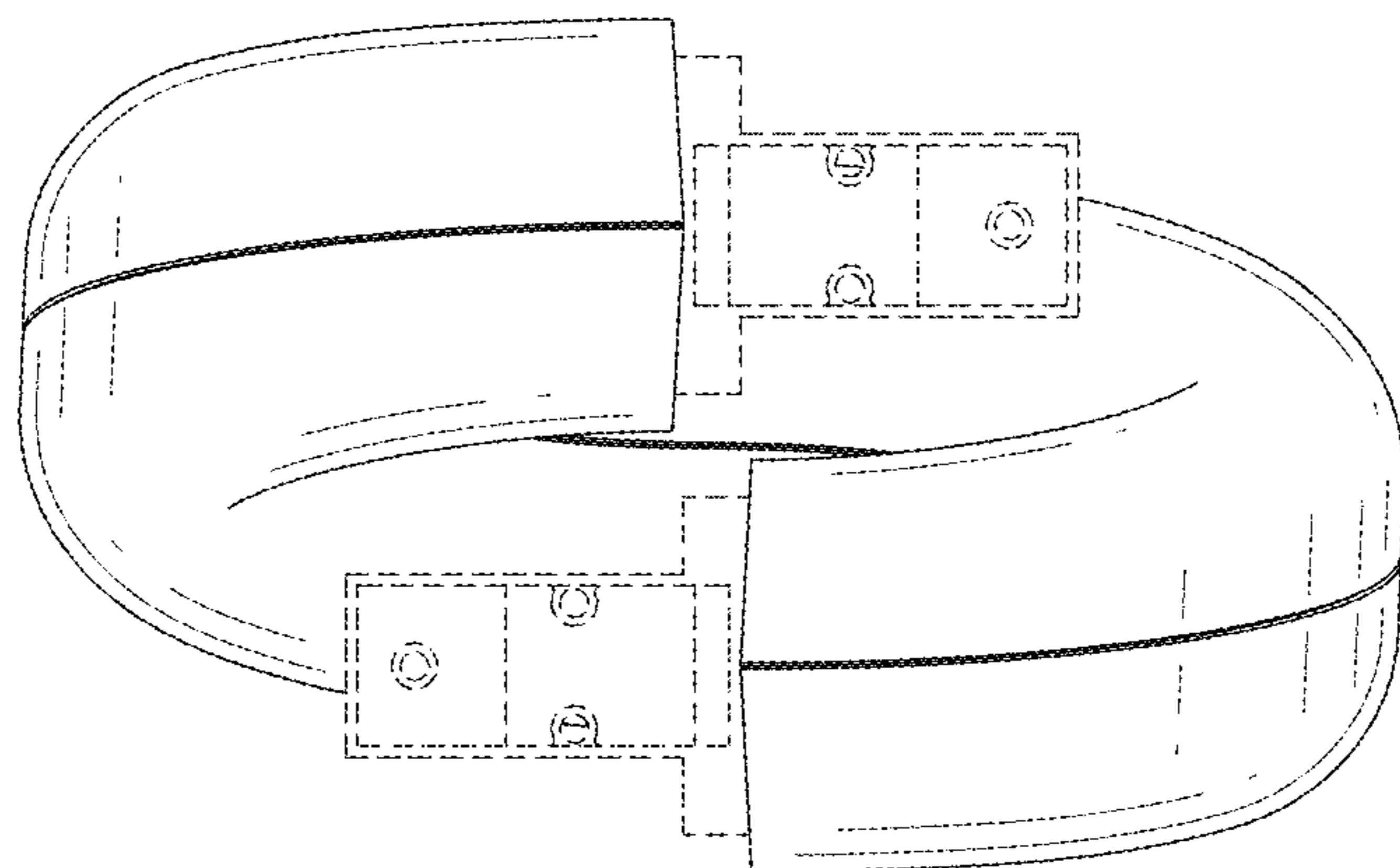


FIG. 7

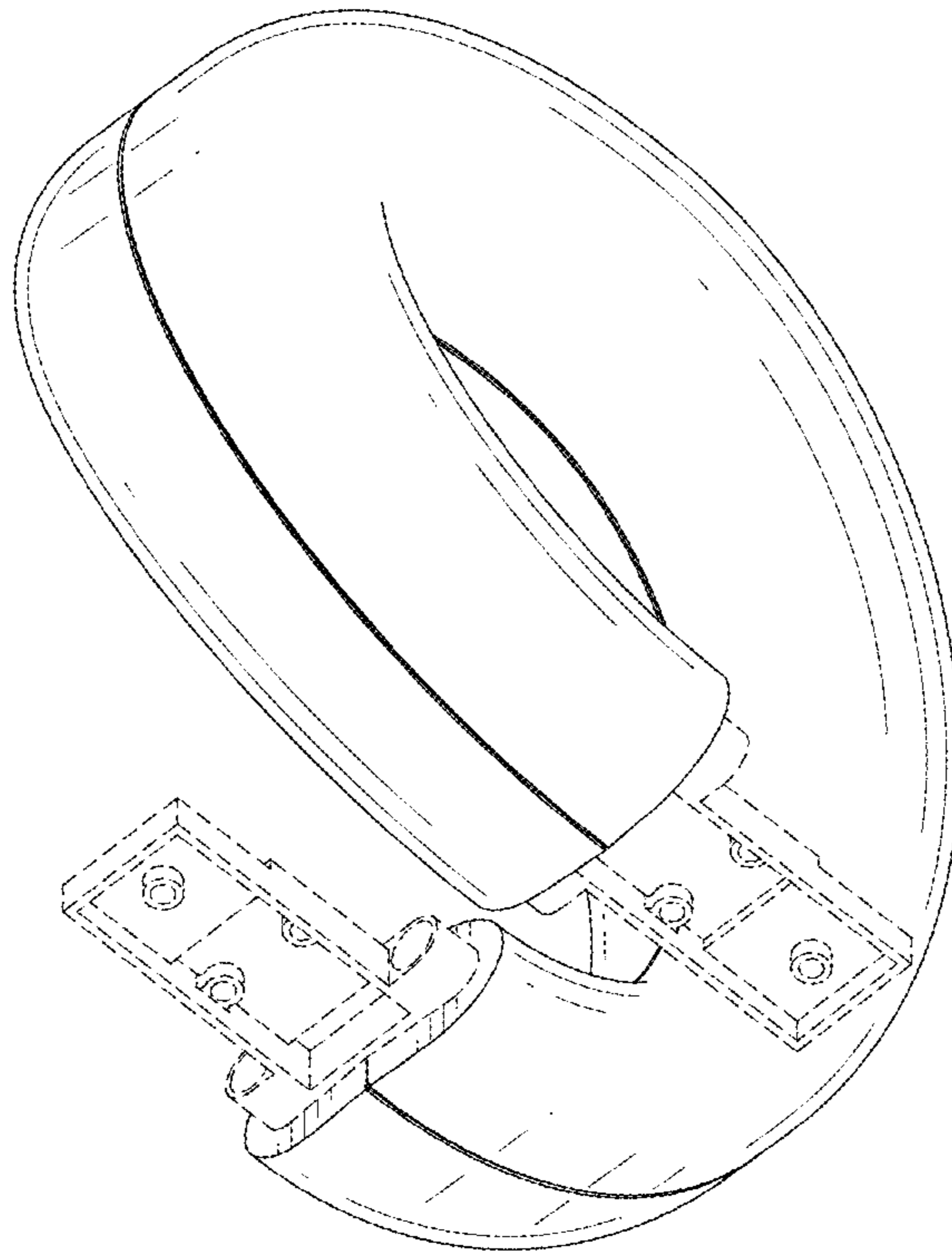


FIG. 8