



US00D743523S

(12) **United States Design Patent**  
**Ertze**

(10) **Patent No.:** **US D743,523 S**

(45) **Date of Patent:** **\*\* Nov. 17, 2015**

- (54) **CEILING FAN MOTOR HOUSING**
- (71) Applicant: **YOUNGO LIMITED**, Hong Kong (CN)
- (72) Inventor: **Pablo J. Ertze**, Fontana, CA (US)
- (73) Assignee: **YOUNGO LIMITED**, Hong Kong (CN)
- (\*\*) Term: **14 Years**
- (21) Appl. No.: **29/493,404**
- (22) Filed: **Jun. 9, 2014**
- (51) **LOC (10) Cl.** ..... **23-04**
- (52) **U.S. Cl.**  
USPC ..... **D23/411**
- (58) **Field of Classification Search**  
USPC ..... D23/377, 370–376, 378–394, 411–414,  
D23/499; 416/5, 62, 170 R, 214 R, 184, 206,  
416/207, 210 R, 220 R, 241 R, 244 R, 248,  
416/223 R, 232, 234, 242; 417/423.1;  
392/364; D26/51, 59, 67, 72, 83, 92,  
D26/113, 118, 138, 142, 149  
CPC ..... F04D 25/088; F04D 29/00; F04D 29/005;  
F04D 29/34; F04D 29/40  
See application file for complete search history.

(56) **References Cited**

**U.S. PATENT DOCUMENTS**

D304,229 S	*	10/1989	Rezek	.....	D23/377
D346,439 S	*	4/1994	Liu	.....	D23/377
D363,540 S	*	10/1995	Yen	.....	D23/377
D382,636 S	*	8/1997	Yang	.....	D23/377
D421,797 S	*	3/2000	Collmar	.....	D23/377
D476,728 S	*	7/2003	Gajewski	.....	D23/377
D508,990 S	*	8/2005	Stauffer	.....	D23/411
D514,689 S	*	2/2006	Gajewski	.....	D23/411
D629,501 S	*	12/2010	Liu	.....	D23/377
2005/0207140 A1	*	9/2005	Srass	.....	F04D 25/088 362/96

2006/0024165 A1	*	2/2006	Gajewski	.....	F04D 29/34 416/210 R
2009/0129974 A1	*	5/2009	McEllen	.....	A61L 9/205 422/24
2011/0044045 A1	*	2/2011	Kostka	.....	F04D 25/088 362/253

**OTHER PUBLICATIONS**

Ceiling Fan—CN 302918451, Ruan Yingxuan. (Design -© Questel). orbit.com [online PDF] 3 pages. Application Date: Jan. 3, 2014. Registered: Aug. 20, 2014 [retrieved on Sep. 14, 2015]. Retrieved from Internet: <<http://sobjprd.questel.fr/export/QPTUJ214/pdf2/d8fe1771-2a63-4d18-a419-f0a4d8e4cd9f-221300.pdf>>.\*

\* cited by examiner

*Primary Examiner* — Susan Bennett Hattan

*Assistant Examiner* — Marie Fast Horse

(74) *Attorney, Agent, or Firm* — Ming Chow; Sinorica, LLC

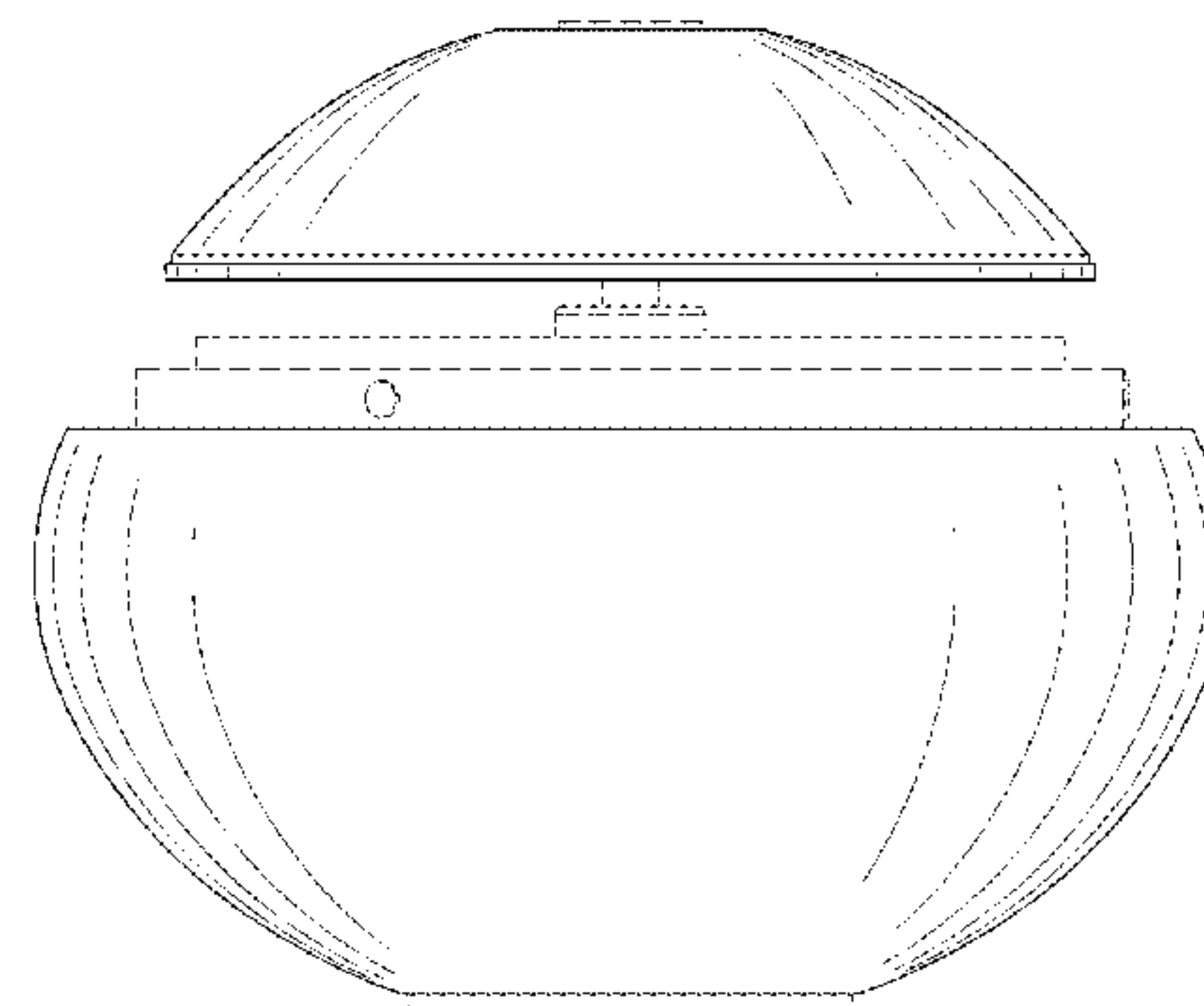
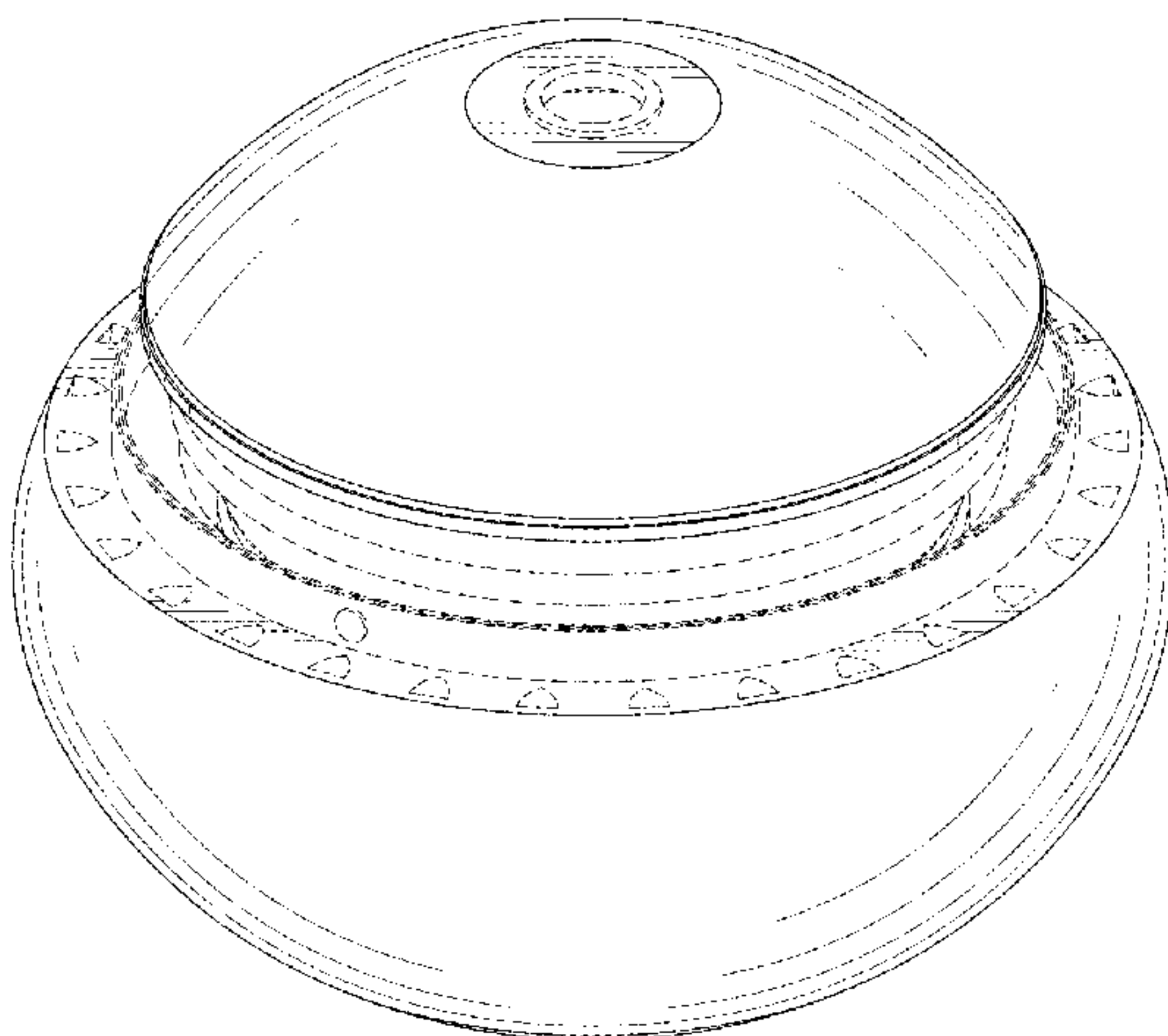
(57) **CLAIM**

I claim the ornamental design for a ceiling fan motor housing, as shown and described.

**DESCRIPTION**

FIG. 1 is a front perspective view of a ceiling fan motor housing showing my new design; FIG. 2 is a front elevational view thereof; FIG. 3 is a rear elevational view thereof; FIG. 4 is a left side elevational view thereof; FIG. 5 is a right side elevational view thereof; FIG. 6 is a top plan view thereof; FIG. 7 is a bottom plan view thereof; and, FIG. 8 is another front perspective view. The broken lines are for the purpose of illustrating environmental structure and form no part of the claimed design.

**1 Claim, 6 Drawing Sheets**



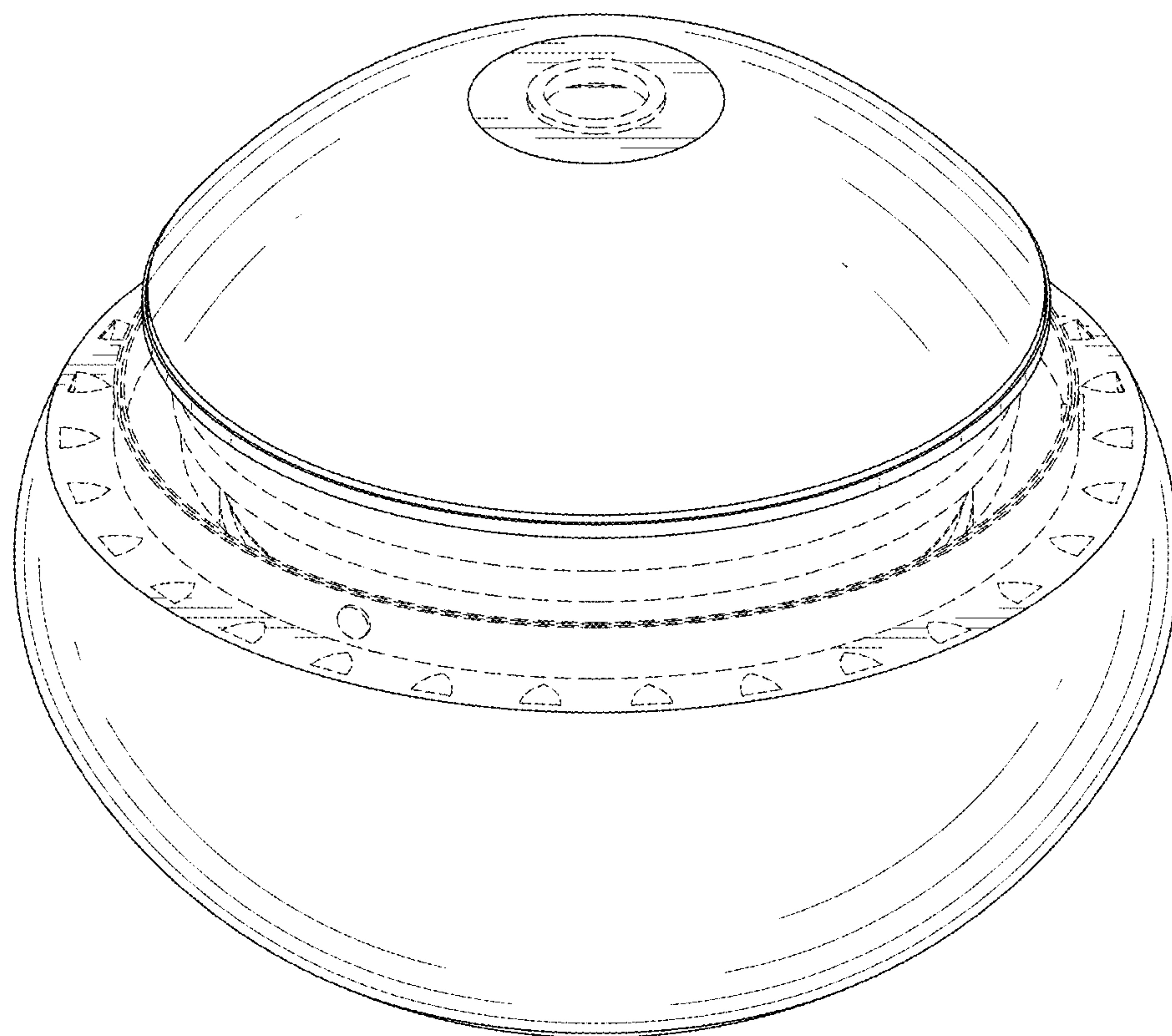


FIG. 1

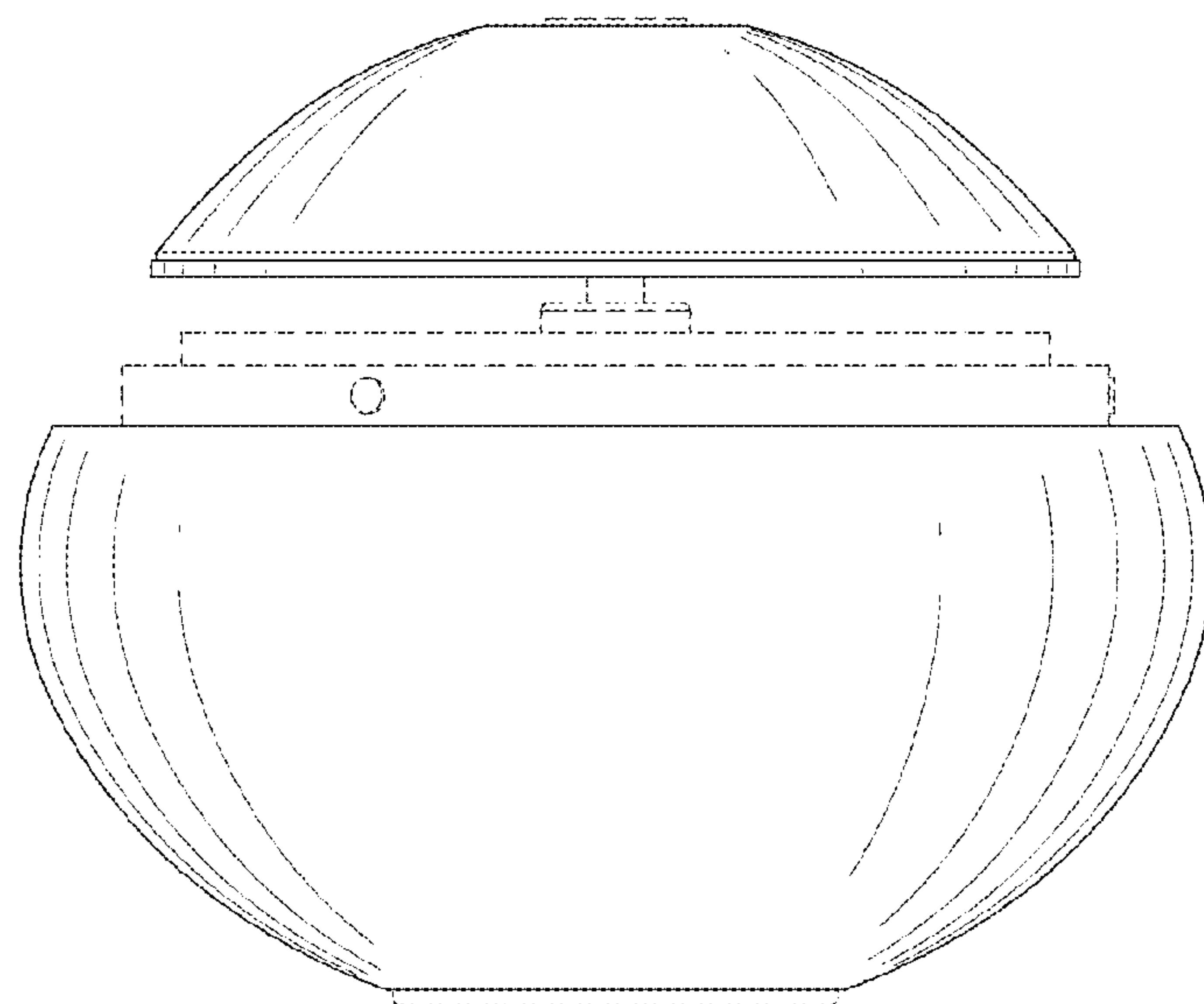


FIG. 2

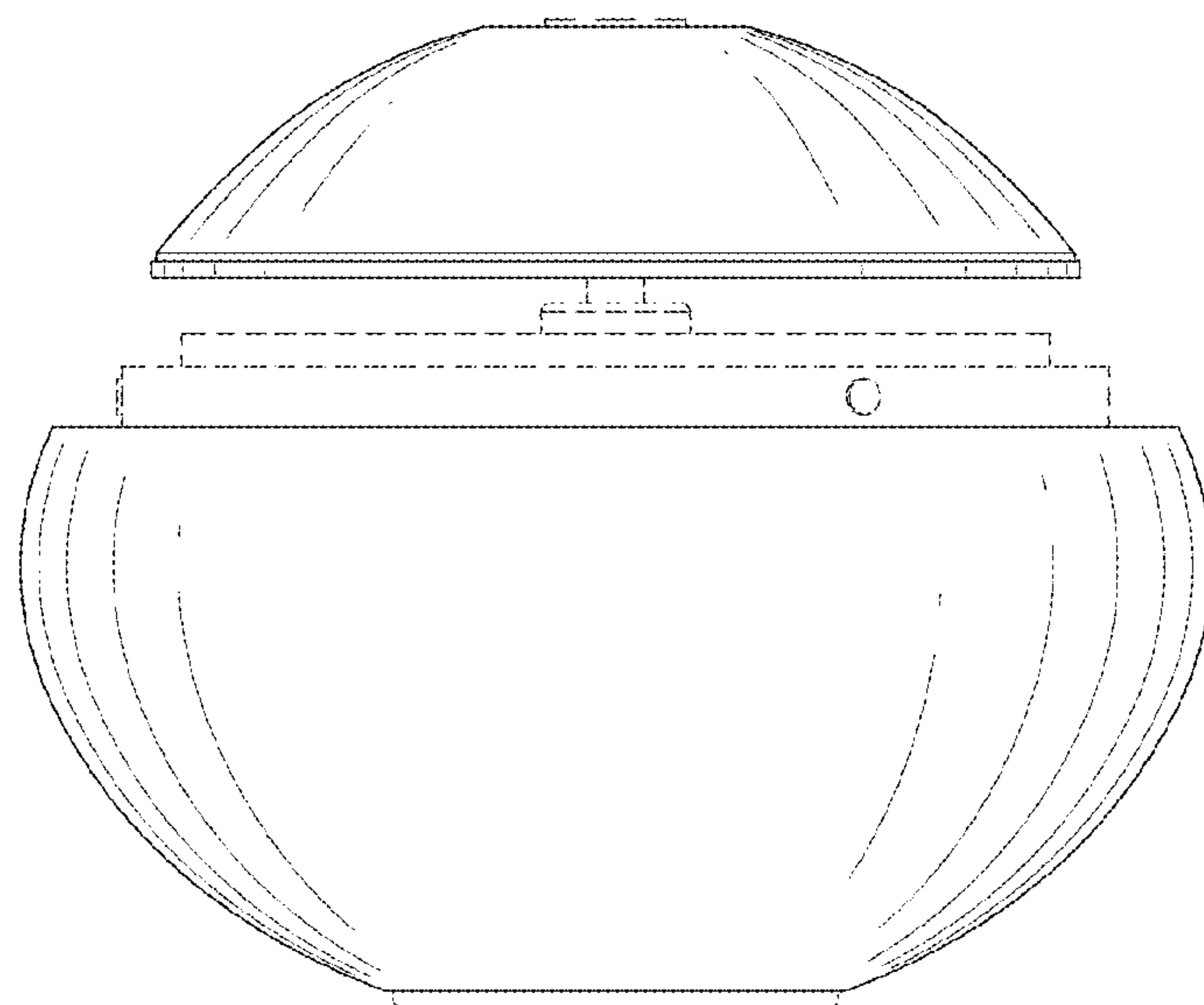


FIG. 3

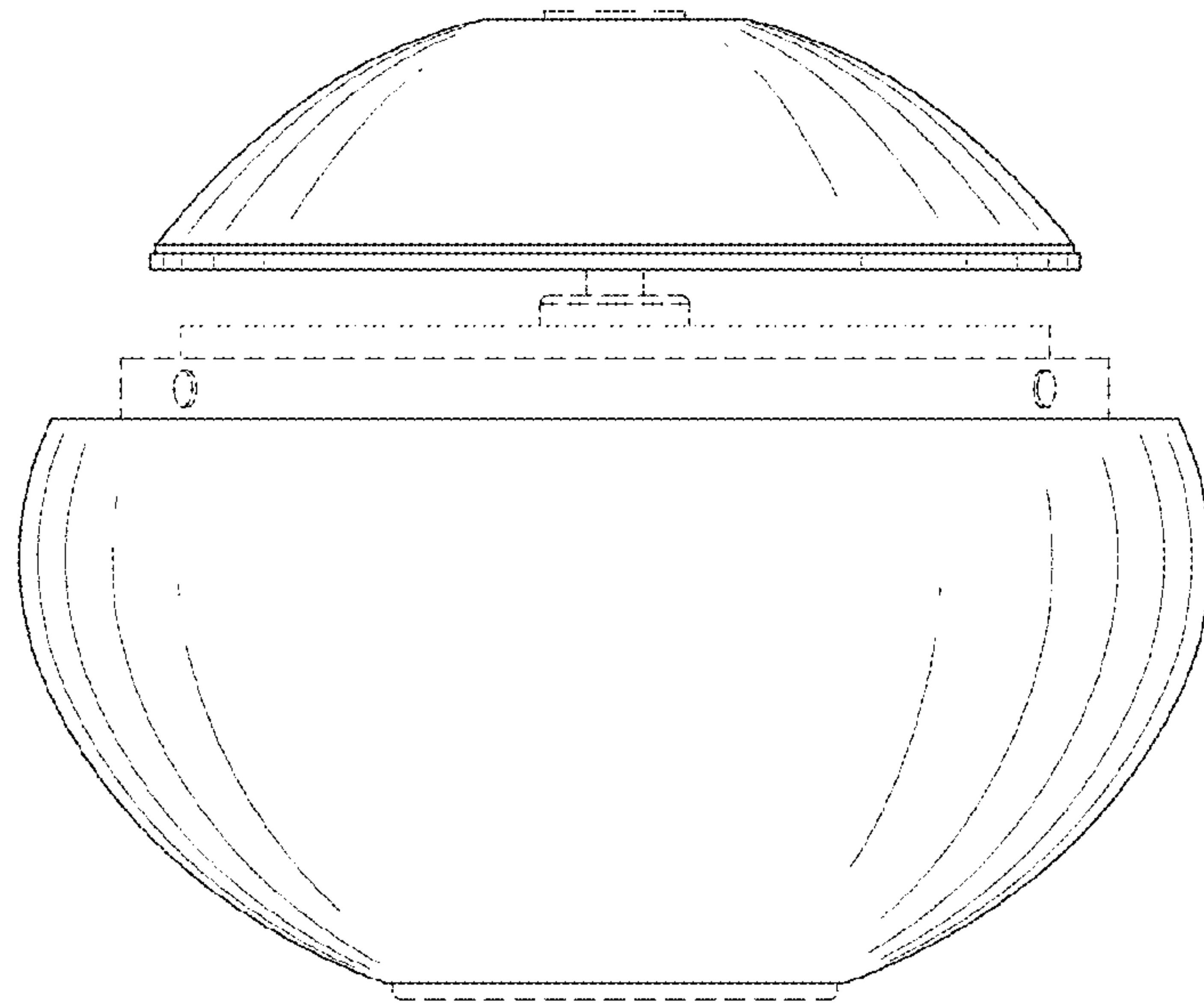


FIG. 4

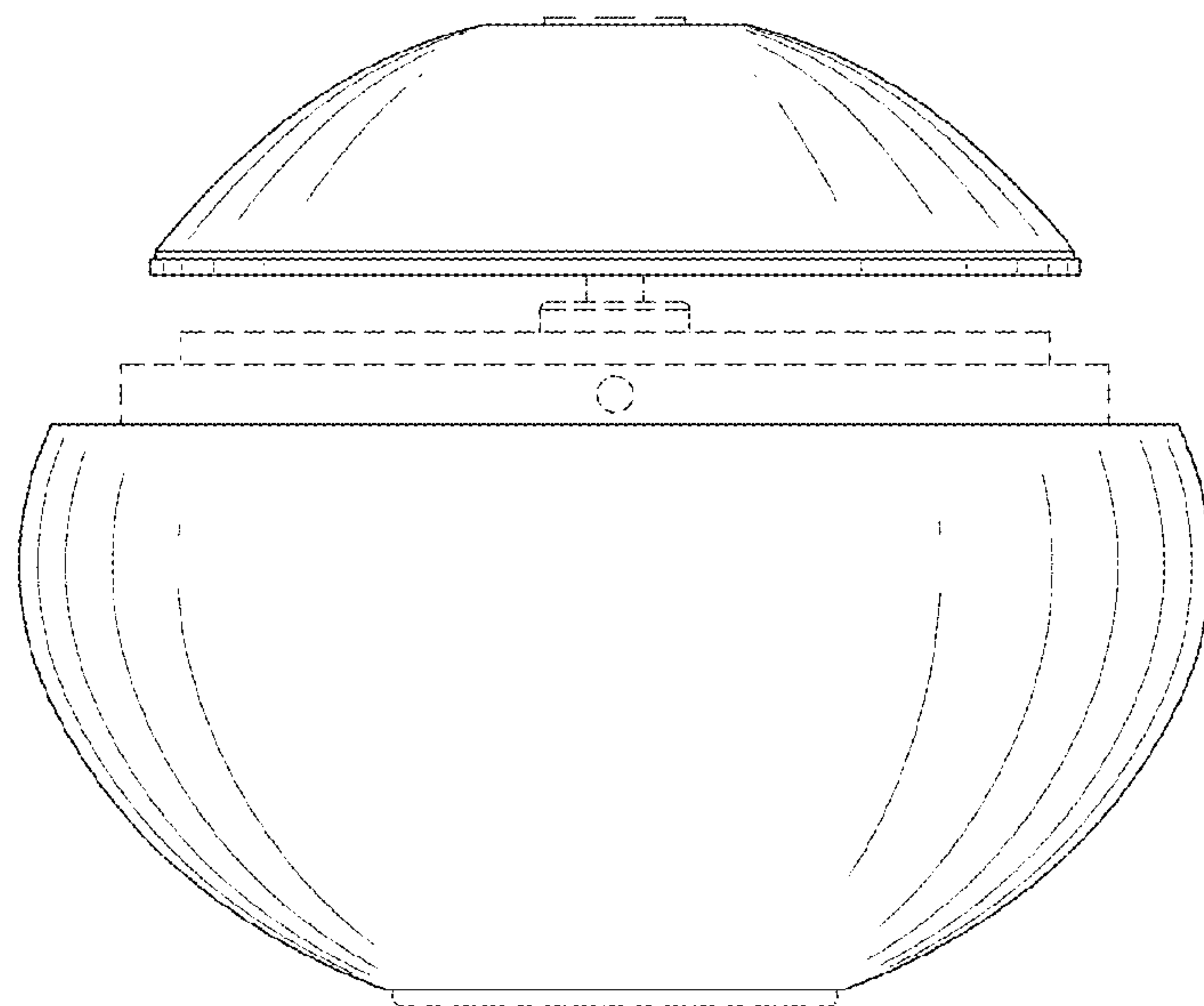


FIG. 5



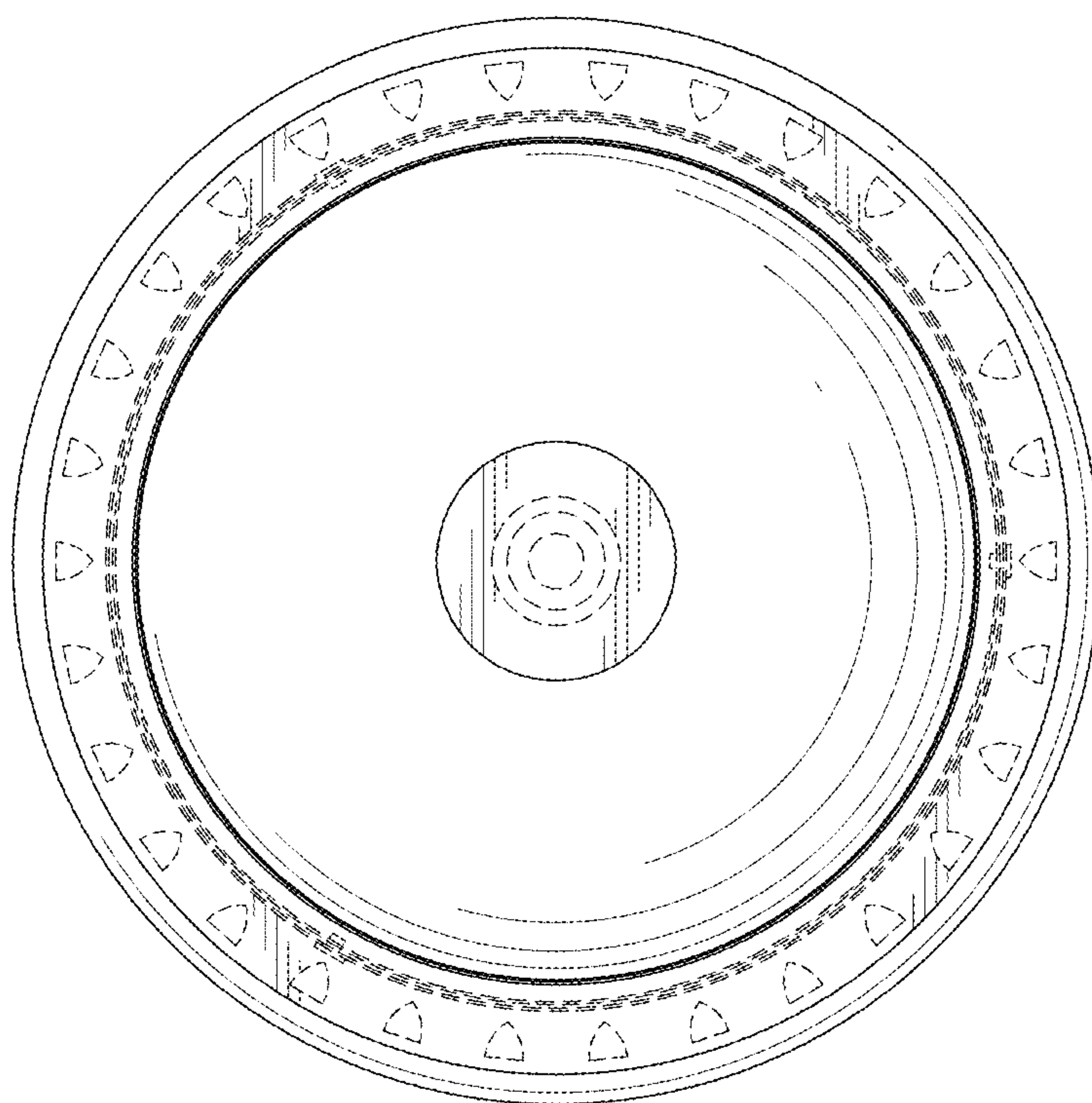


FIG. 6

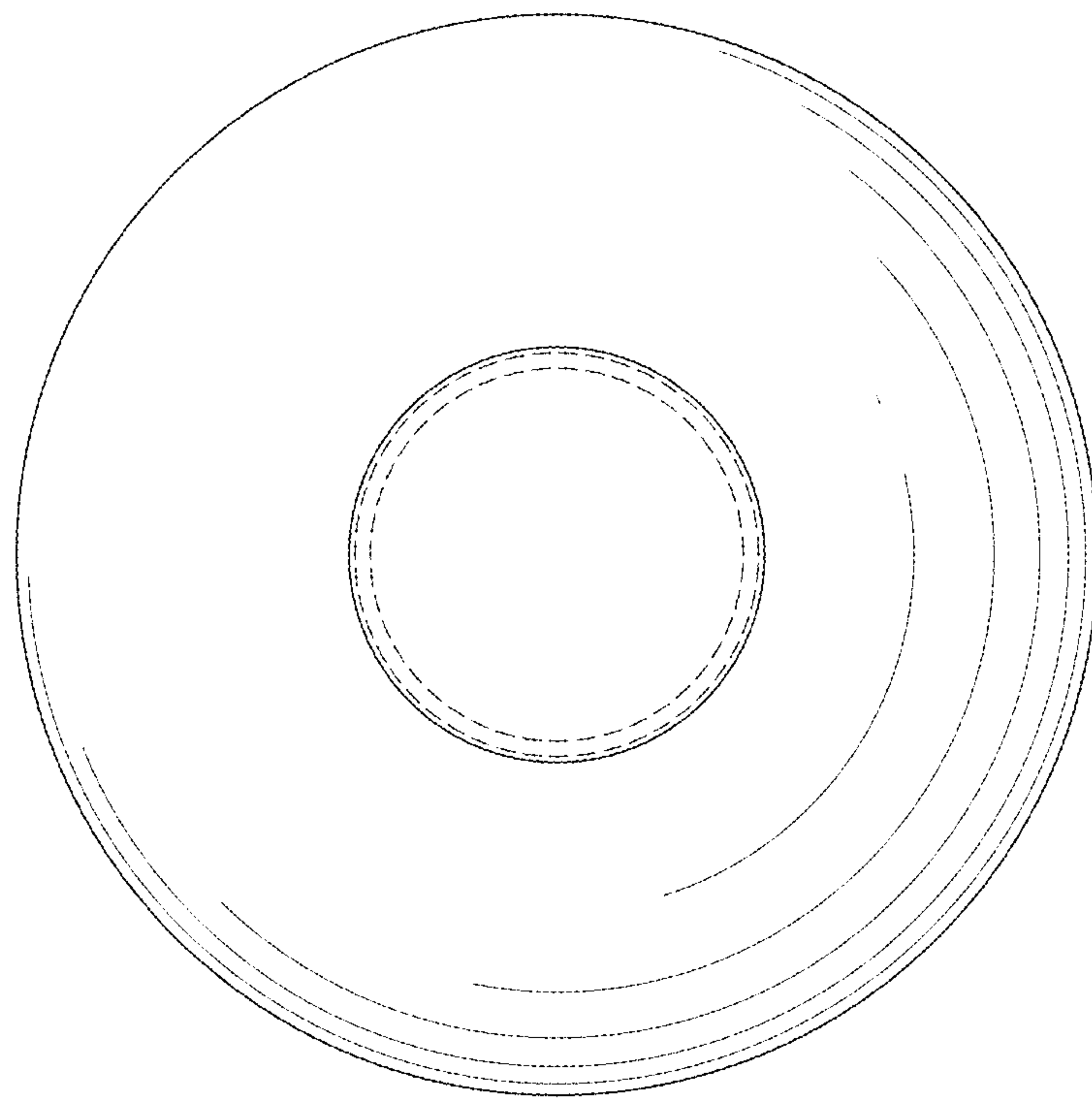


FIG. 7

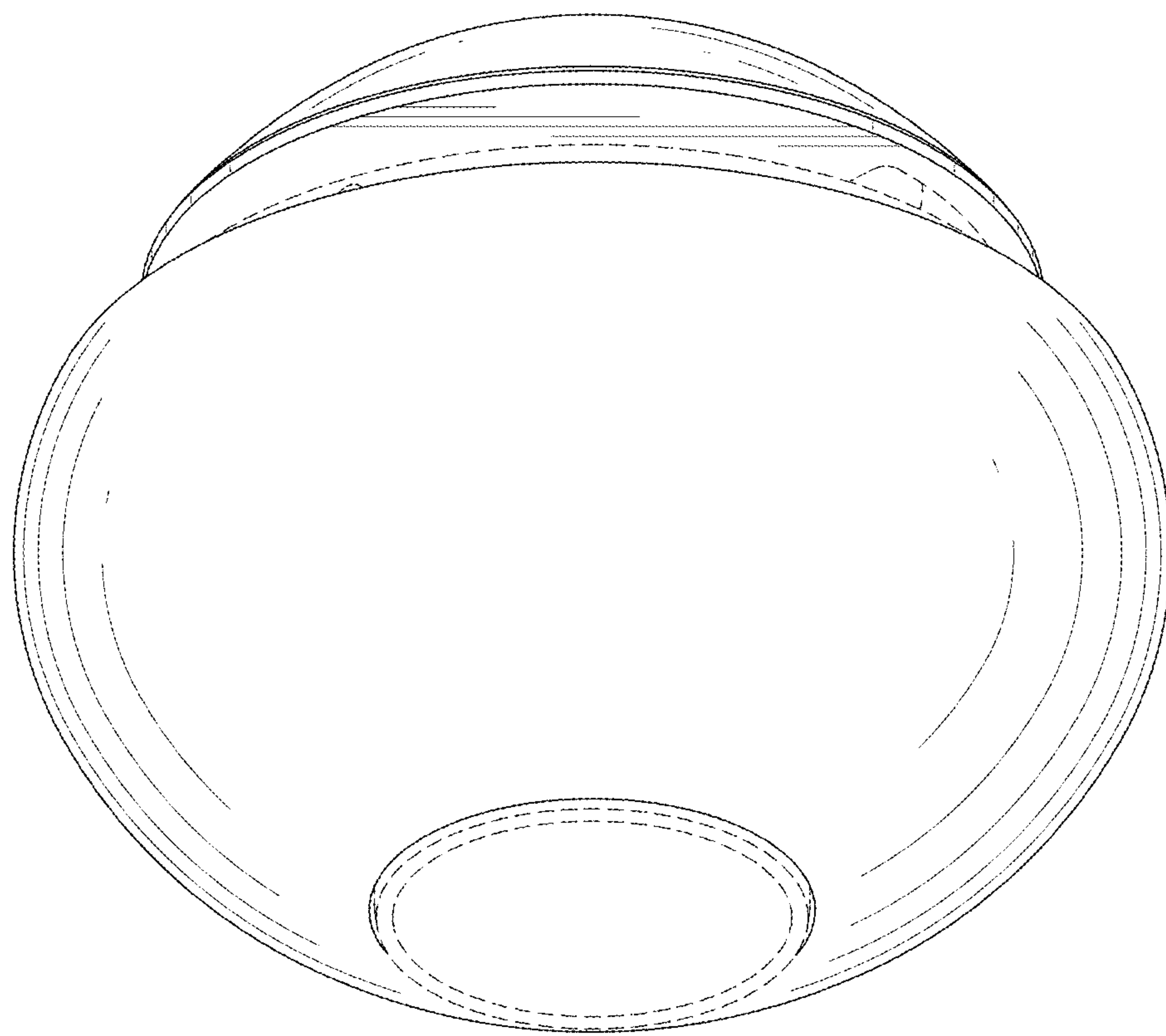


FIG. 8