



US00D743522S

(12) **United States Design Patent**
Pan

(10) **Patent No.:** **US D743,522 S**

(45) **Date of Patent:** **** Nov. 17, 2015**

- (54) **CEILING FAN MOTOR HOUSING**
- (71) Applicant: **AIR COOL INDUSTRIAL CO., LTD.**,
Taichung (TW)
- (72) Inventor: **Peter Pan**, Taichung (TW)
- (73) Assignee: **AIR COOL INDUSTRIAL CO., LTD.**,
Taichung (TW)
- (**) Term: **14 Years**
- (21) Appl. No.: **29/493,363**
- (22) Filed: **Jun. 9, 2014**
- (51) **LOC (10) Cl.** **23-04**
- (52) **U.S. Cl.**
USPC **D23/411**
- (58) **Field of Classification Search**
USPC D23/377, 370-376, 378-394, 411-414,
D23/499; 416/5, 62, 170 R, 214 R, 184, 206,
416/207, 210 R, 220 R, 241 R, 244 R, 248,
416/223 R, 232, 234, 242; 417/423.1;
392/361, 364; 362/96, 147; D26/51,
D26/59, 72, 83, 92
CPC F04D 25/008; F04D 29/00; F04D 29/005;
F04D 29/34; F04D 29/40
See application file for complete search history.

				403/305
D541,930	S *	5/2007	Pickett	D23/411
D547,483	S *	7/2007	Pickett	D26/59
D553,239	S *	10/2007	Wang	D23/411
D596,737	S *	7/2009	Pan	D23/411
D603,498	S *	11/2009	Pickett	D23/411
D635,237	S *	3/2011	Fizer	D23/377
D652,980	S *	1/2012	Yoshida	D26/89
D660,952	S *	5/2012	Spaggiari	D23/370
D671,633	S *	11/2012	Glasbrenner	D23/385
8,721,305	B2 *	5/2014	Oleson	F04D 25/088 416/210 R
D710,001	S *	7/2014	Wang	D23/411
D710,490	S *	8/2014	Shurtleff	D23/411
2009/0208333	A1 *	8/2009	Smith	F04D 25/088 416/5

* cited by examiner

Primary Examiner — Susan Bennett Hattan

Assistant Examiner — Marie Fast Horse

(74) *Attorney, Agent, or Firm* — Ming Chow; Sinorica, LLC

(57) **CLAIM**

I claim the ornamental design for a ceiling fan motor housing, as shown and described.

DESCRIPTION

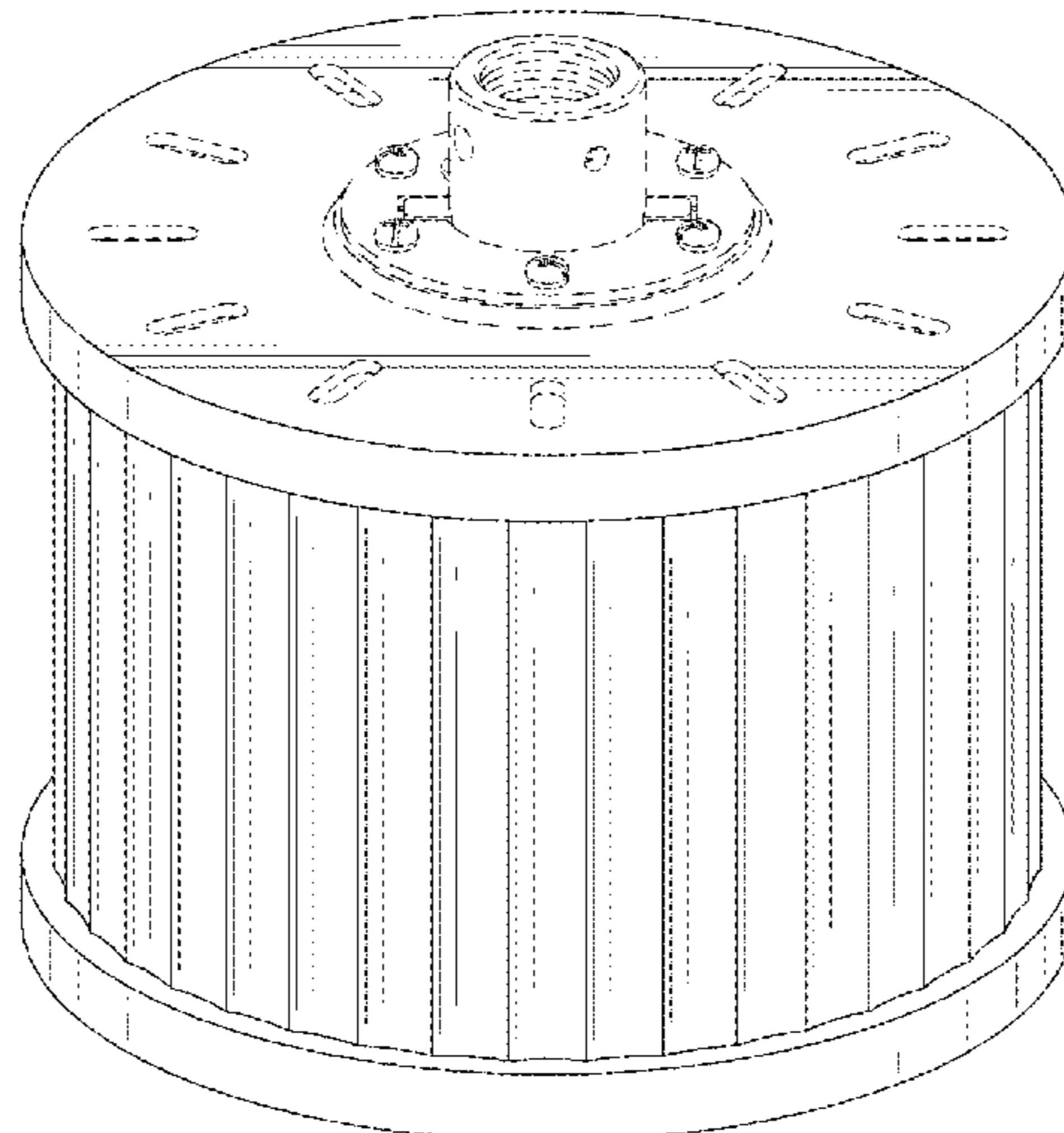
FIG. 1 is a front perspective view of a ceiling fan motor housing showing my new design;
 FIG. 2 is a front elevational view thereof;
 FIG. 3 is a rear elevational view thereof;
 FIG. 4 is a left side elevational view thereof;
 FIG. 5 is a right side elevational view thereof;
 FIG. 6 is a top plan view thereof;
 FIG. 7 is a bottom plan view thereof; and,
 FIG. 8 is another front perspective view.
 The broken lines in the drawings depict parts of the ceiling fan motor housing that form no part of the claimed design.

1 Claim, 5 Drawing Sheets

(56) **References Cited**

U.S. PATENT DOCUMENTS

D84,831	S *	8/1931	Kehoe	D23/378
5,097,398	A *	3/1992	Dye	F04D 25/088 362/124
5,632,599	A *	5/1997	Townsend	F03D 1/00 416/42
D406,332	S *	3/1999	Liu	D23/377
D438,950	S *	3/2001	Frampton	D23/411
6,488,439	B1 *	12/2002	Lackey, Sr.	F04D 25/088



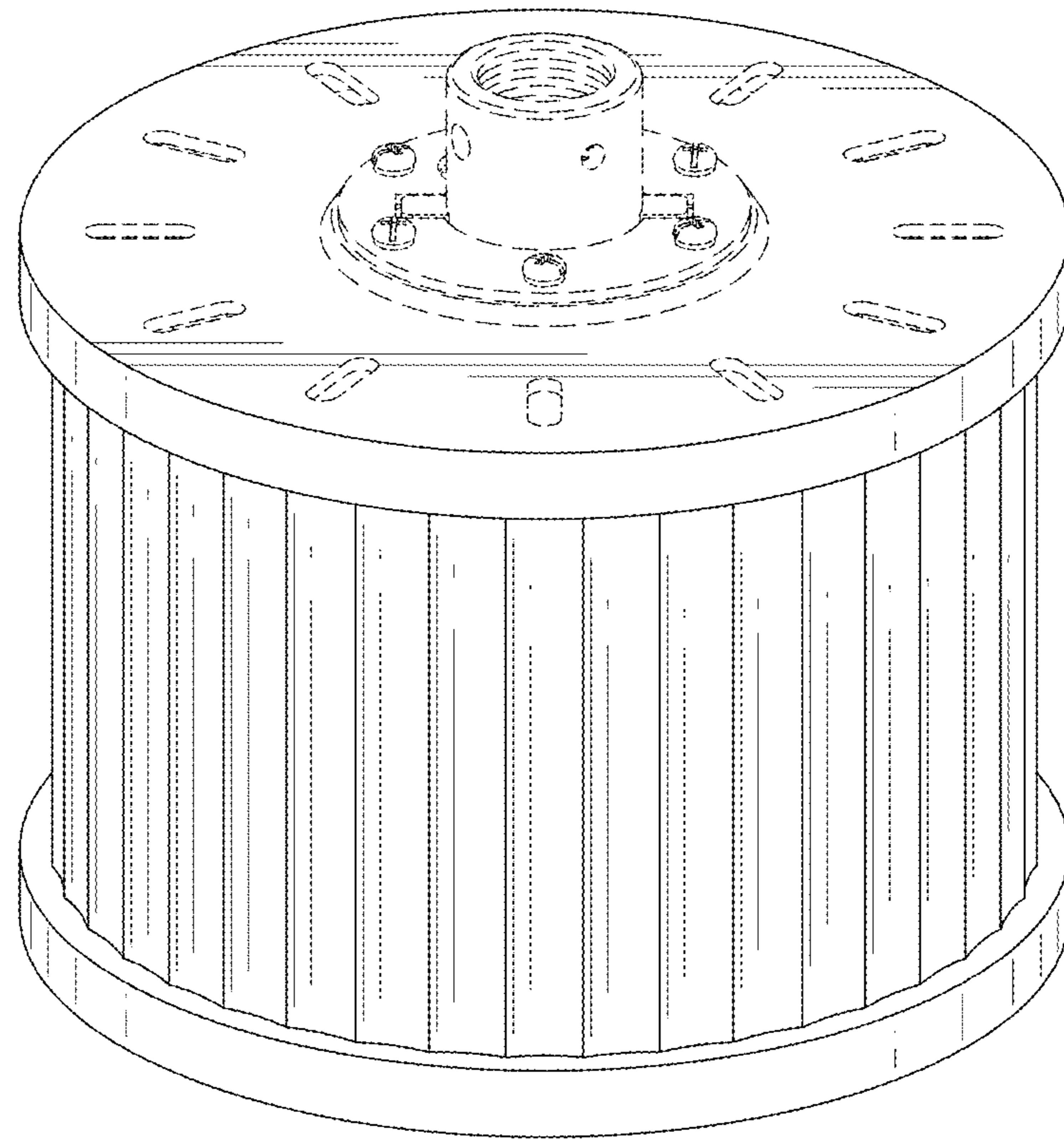


FIG. 1

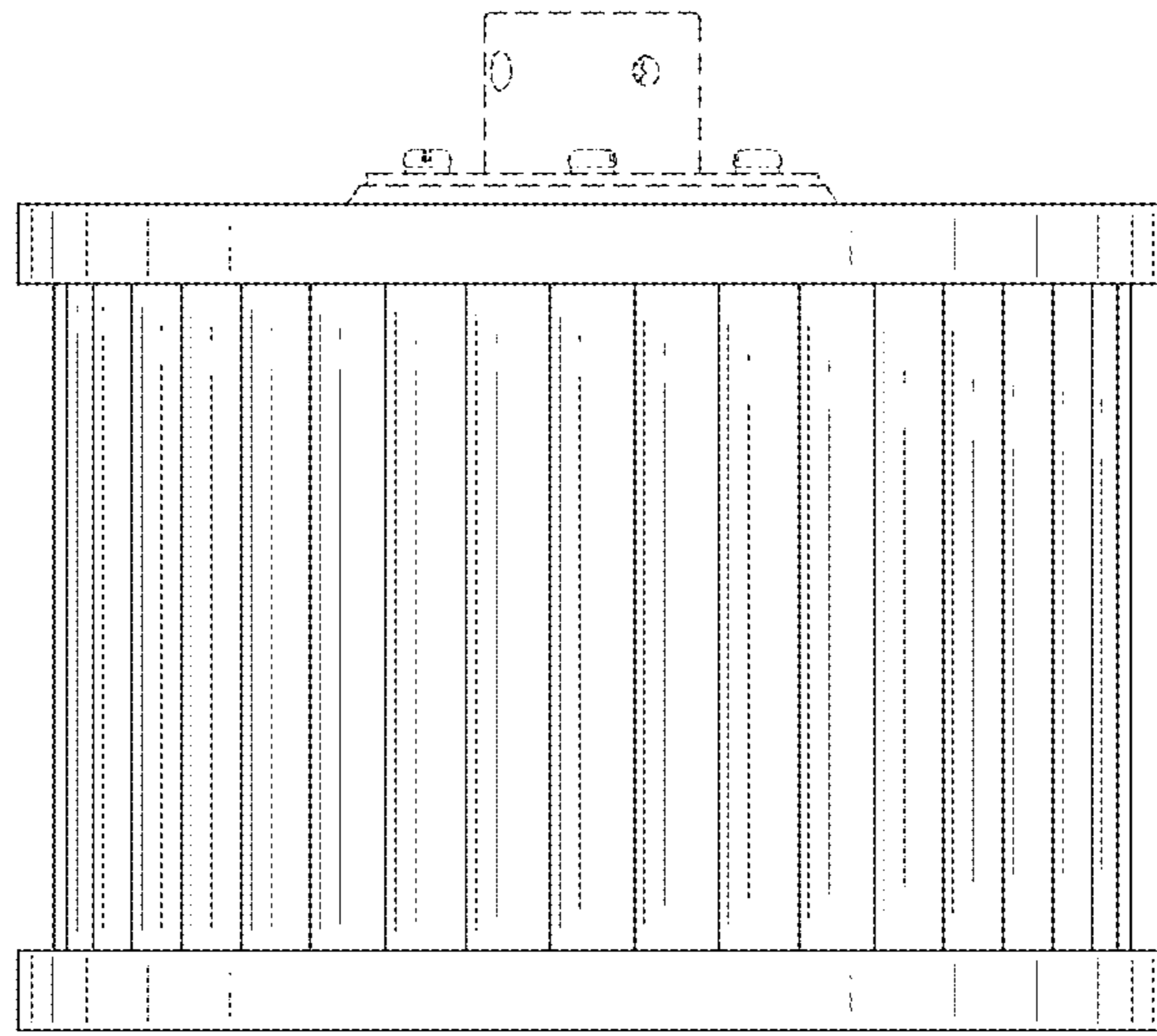


FIG. 2

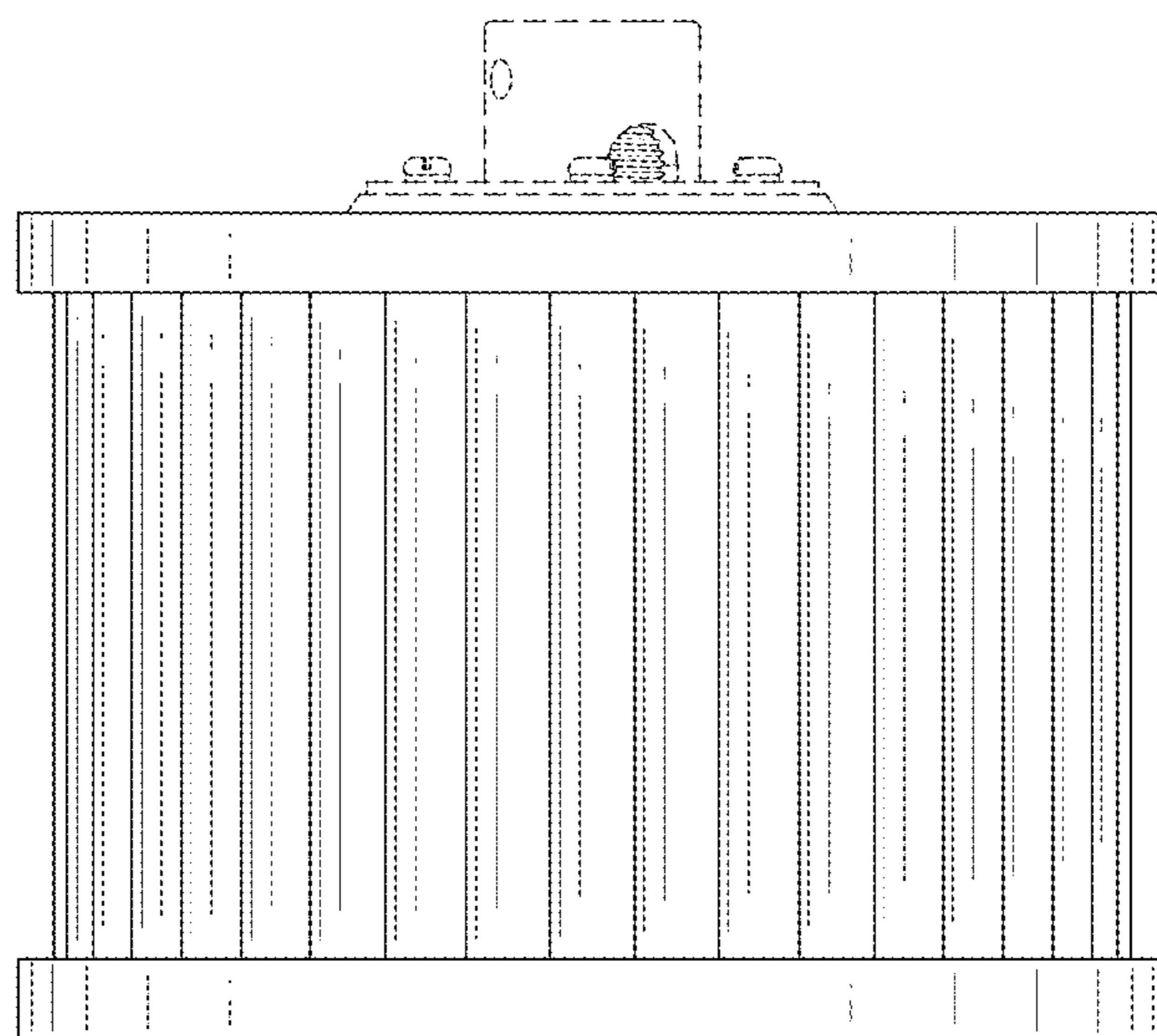


FIG. 3

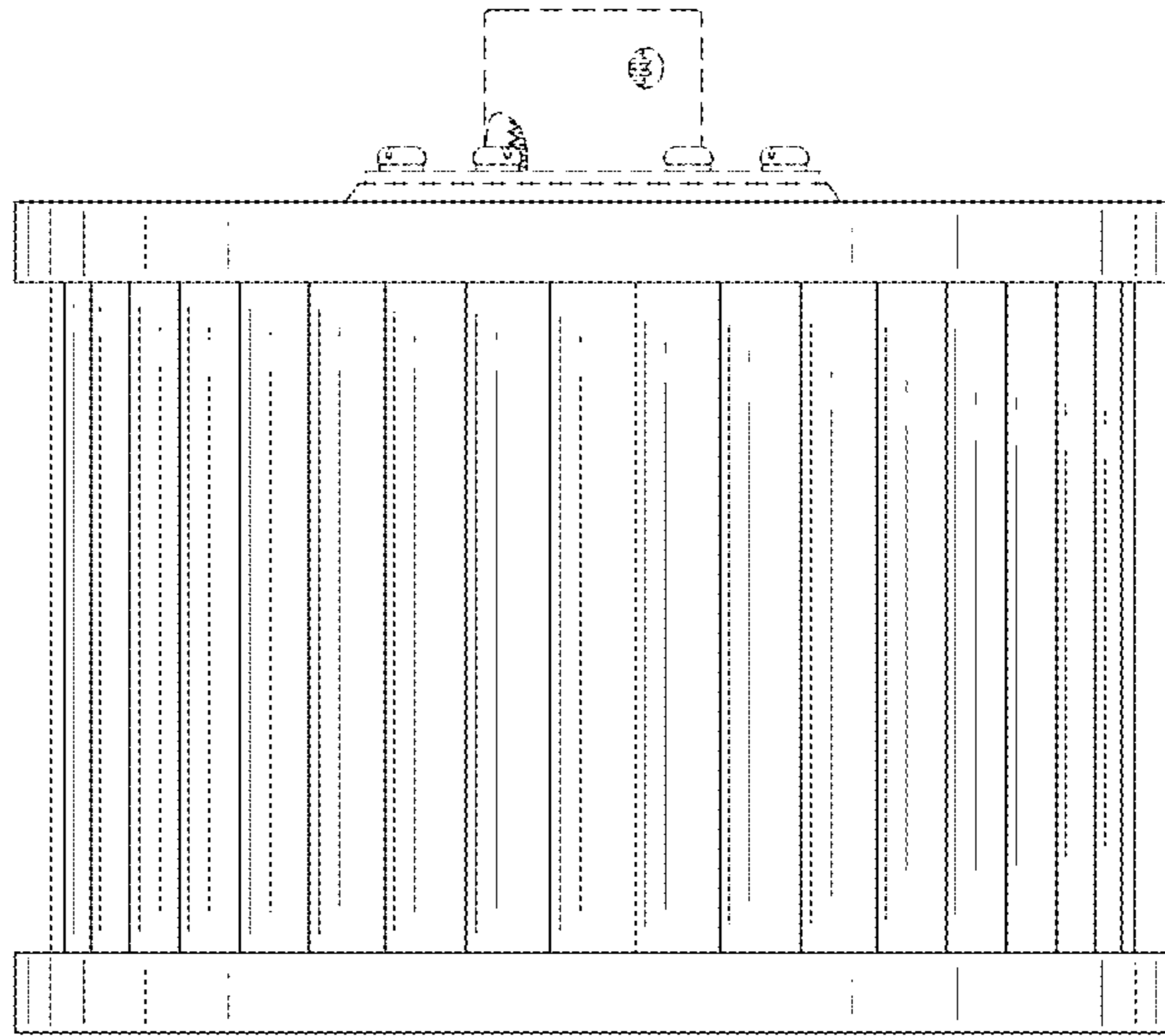


FIG. 4

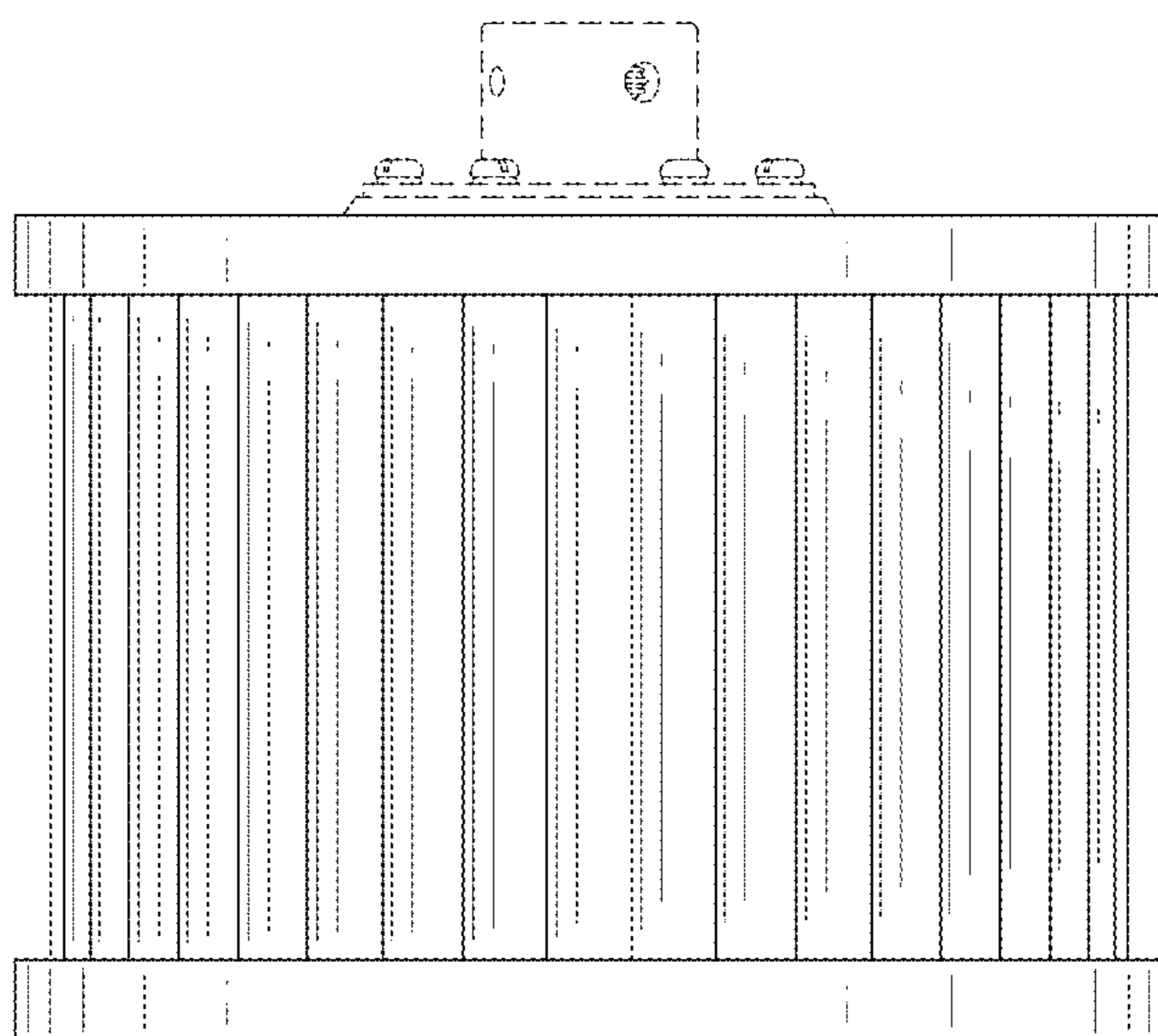


FIG. 5

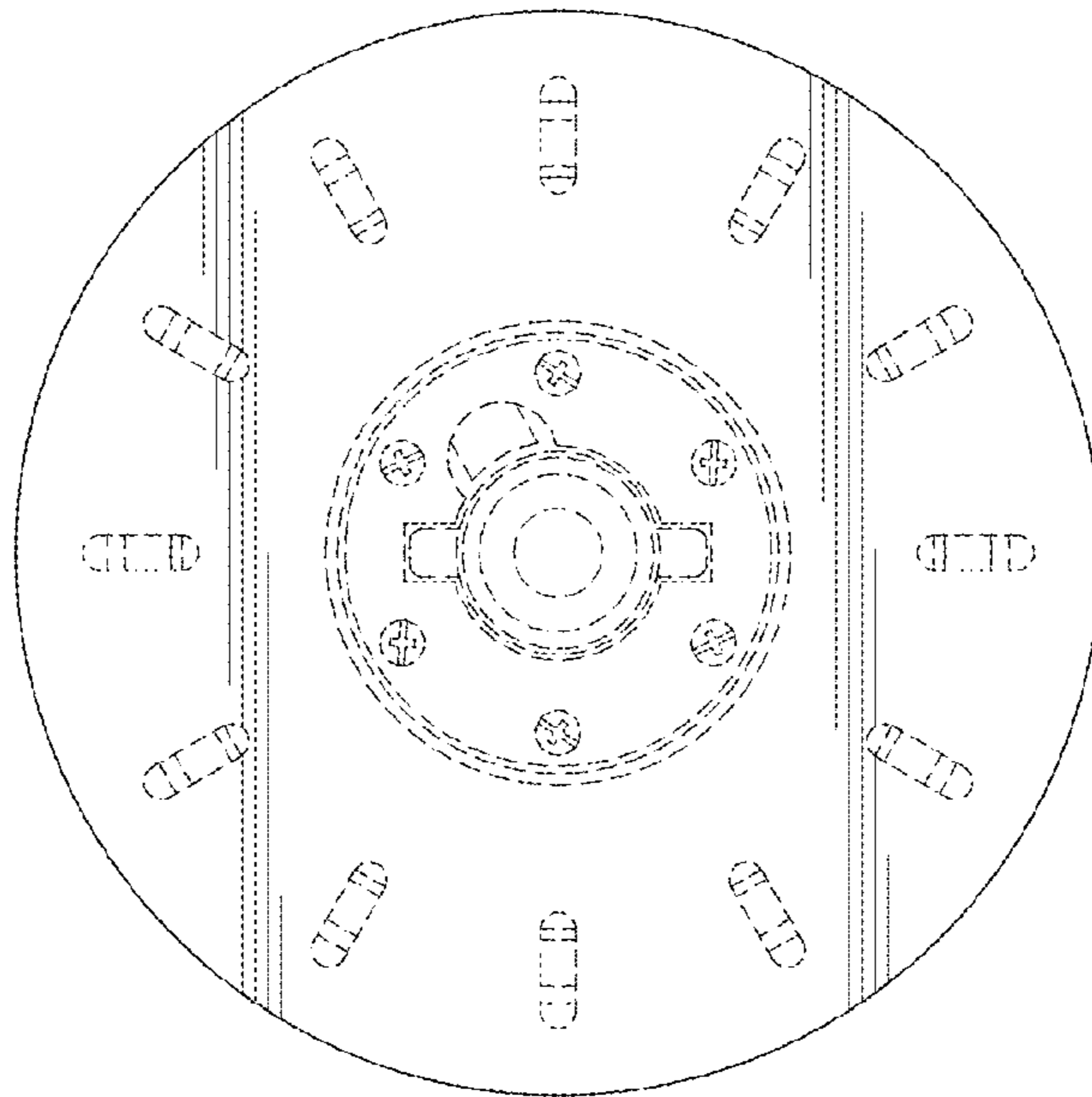


FIG. 6

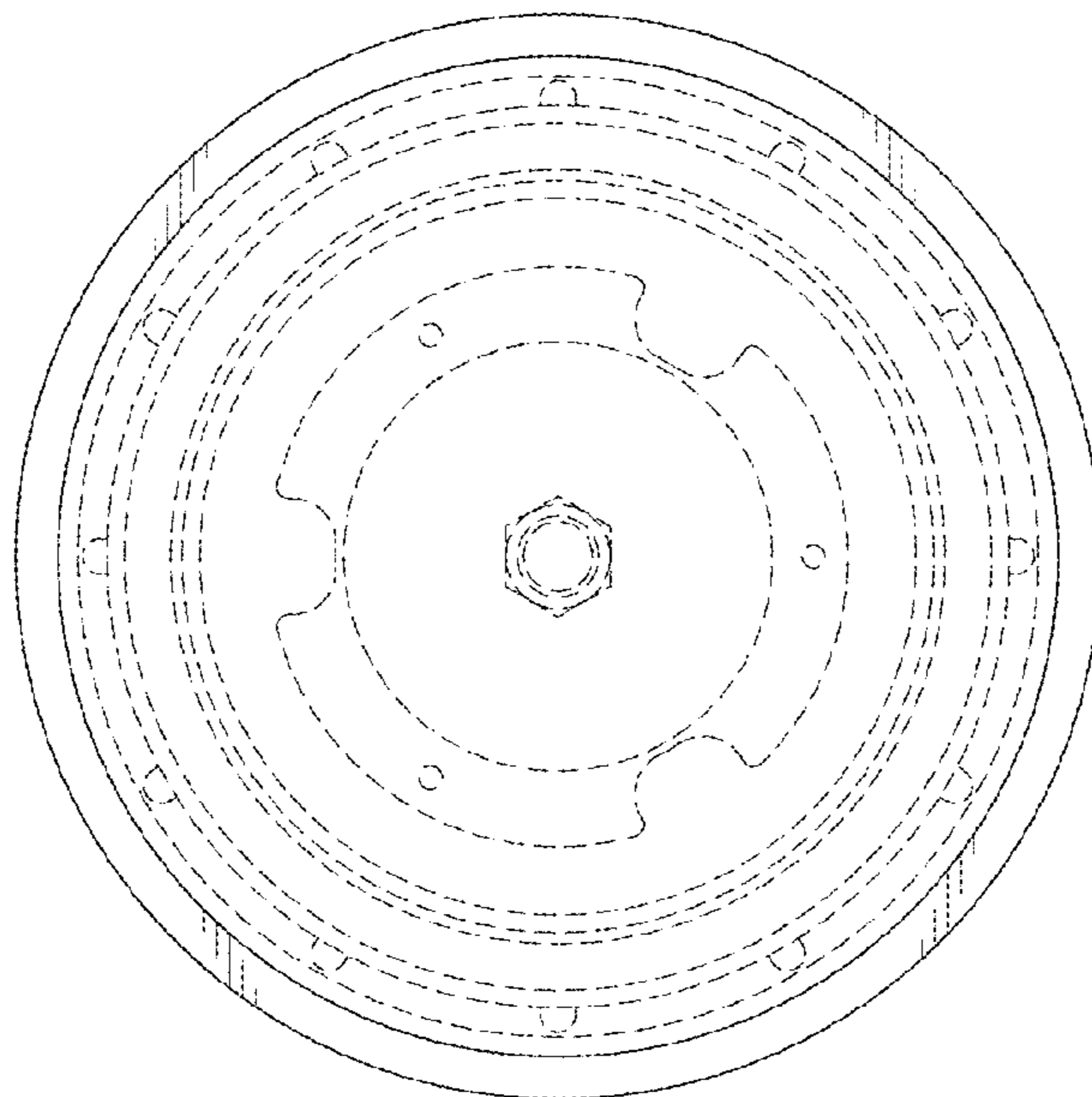


FIG. 7

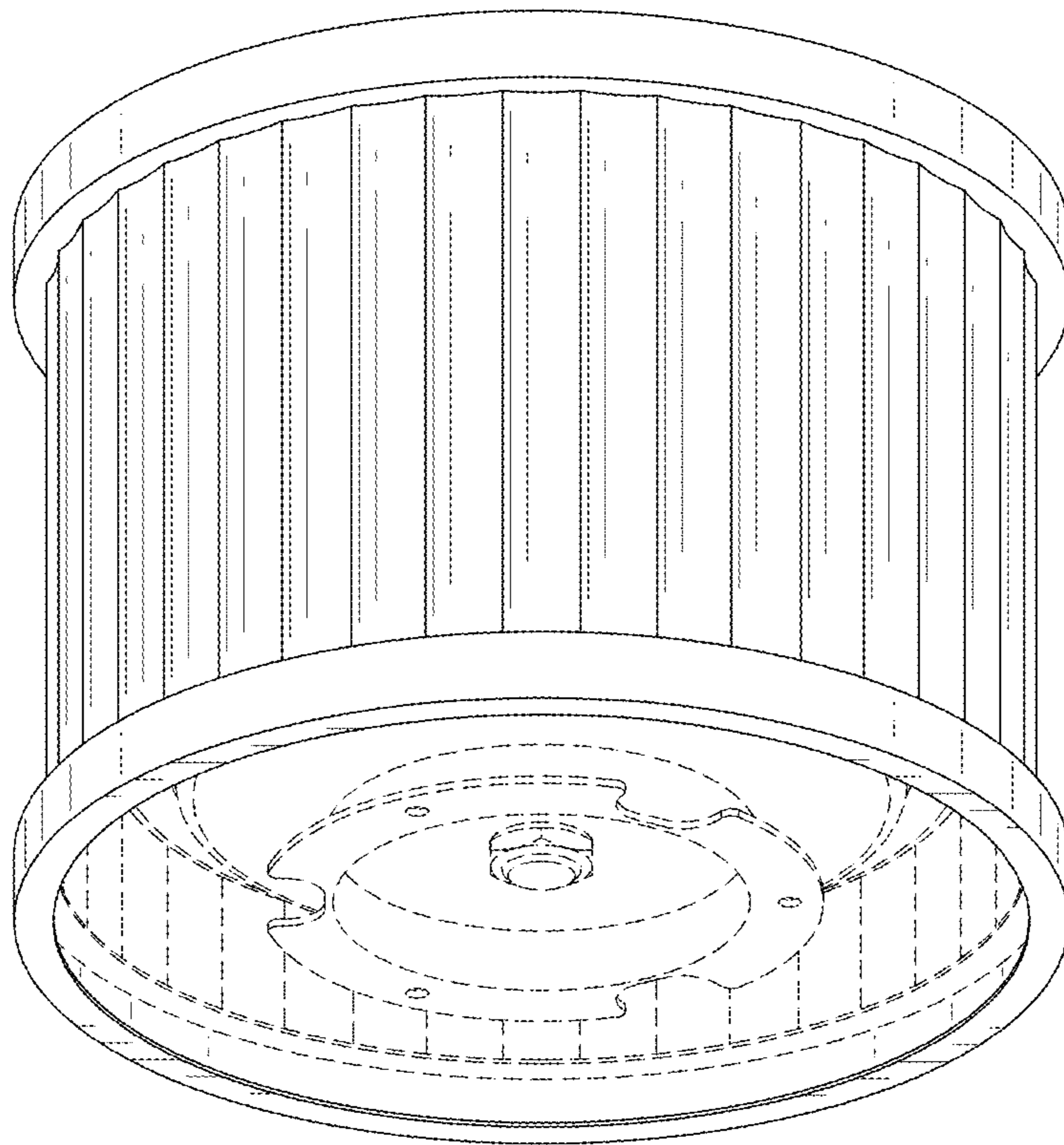


FIG. 8